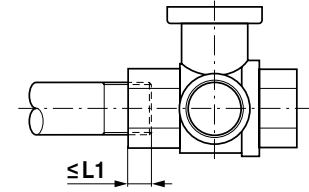
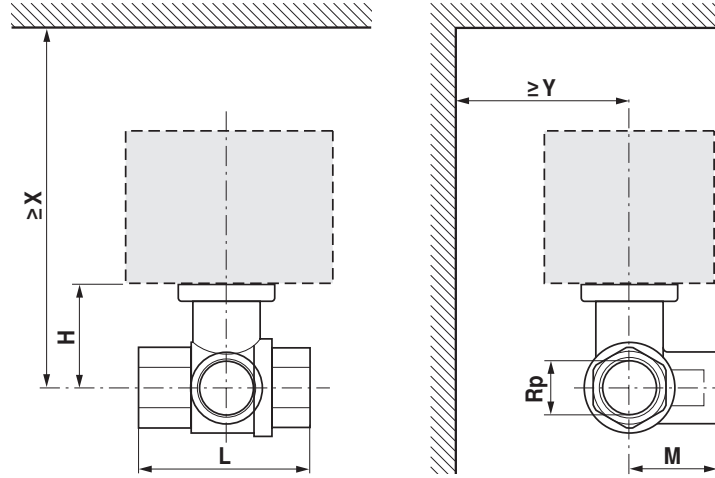




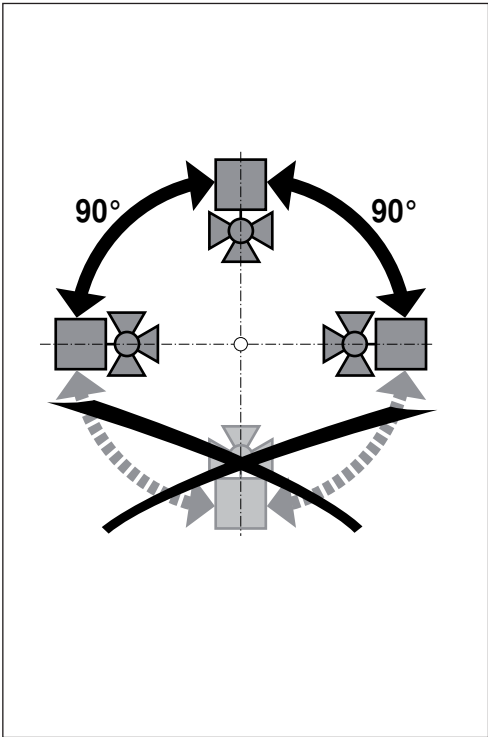
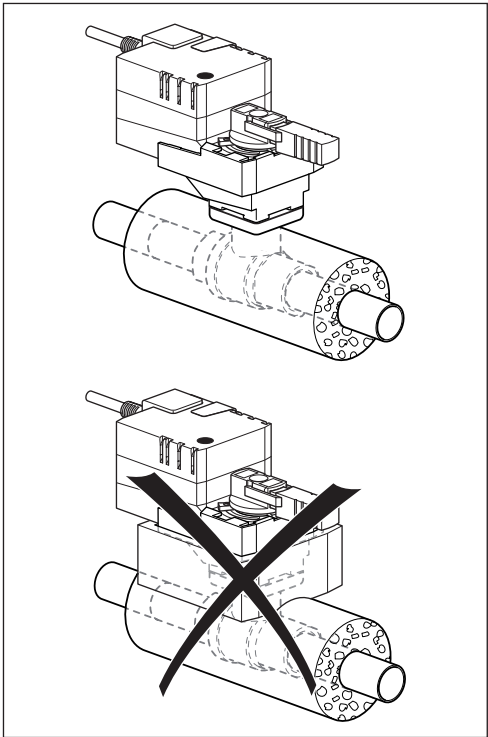
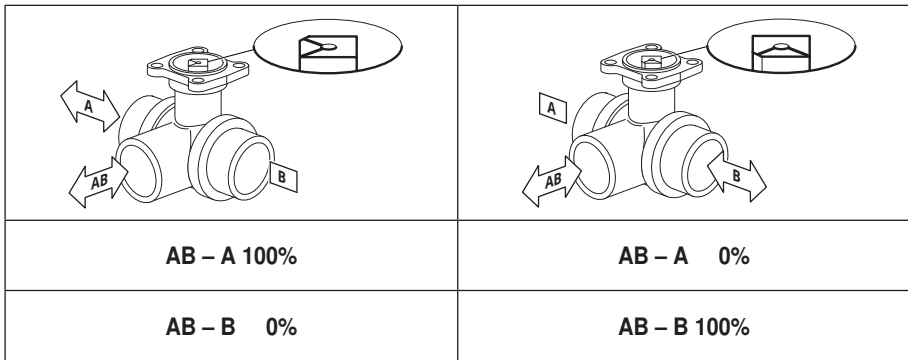
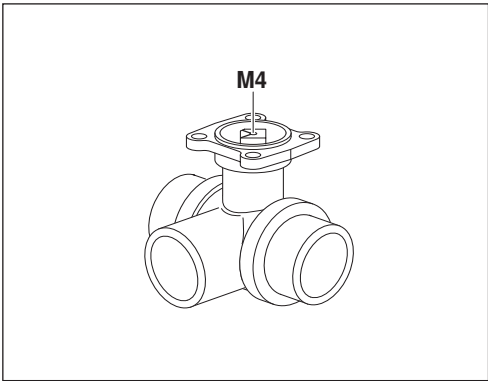
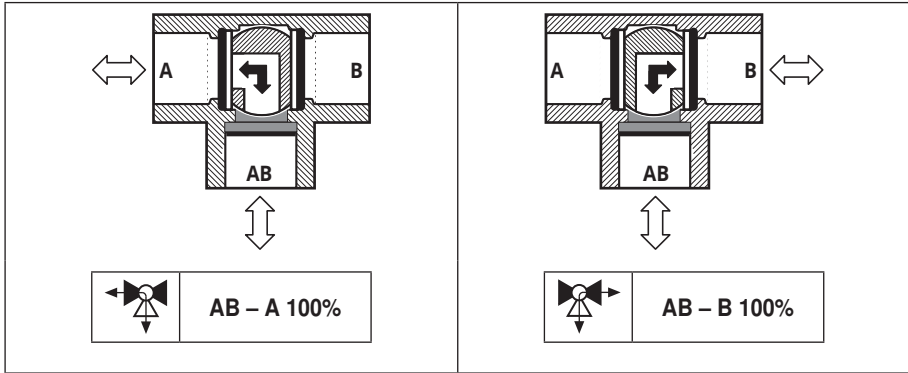
R3..-BL..

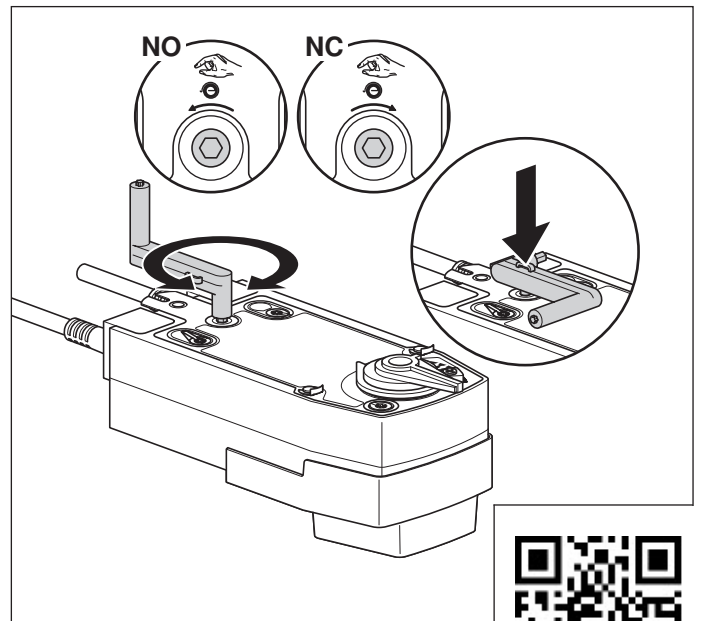
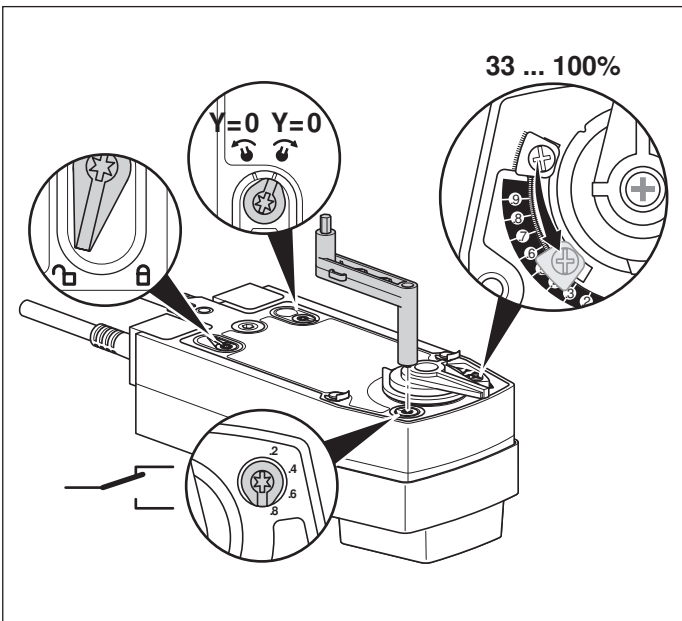
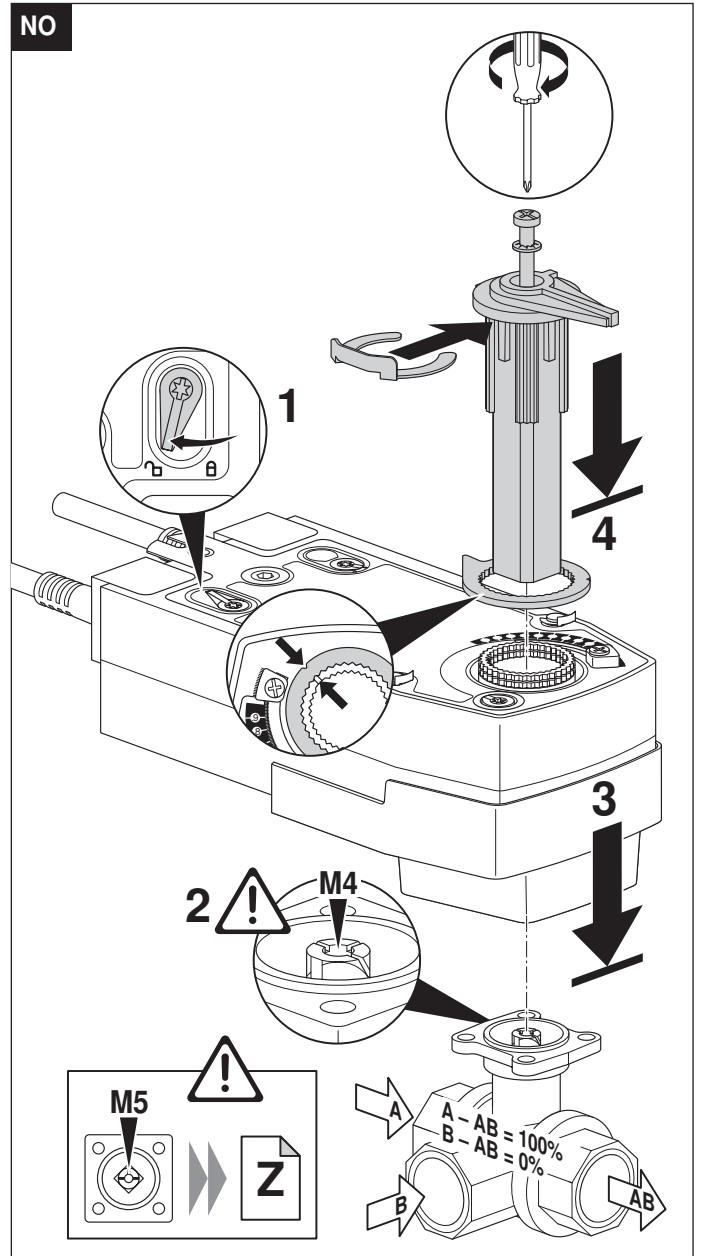
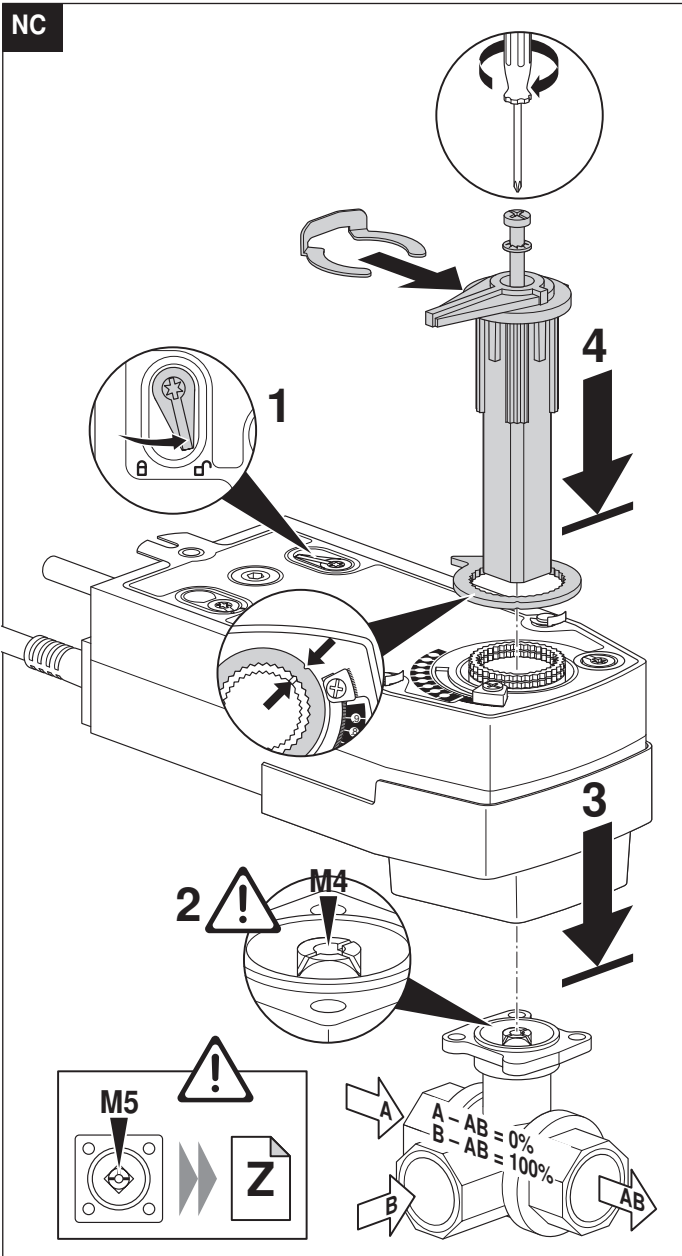


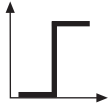
71992-00001..A



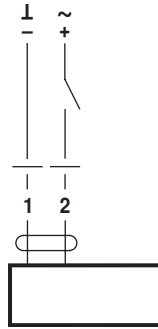
t -10 ... +100°C																						
p _s 1600 kPa																						
	DN	Rp	mm				100°C															
	mm	"	L	H	M	L1	TR..		LR..A		NR..A		SR..A		TRF..		LRF..		NRF..A		SRF..A	
							X	Y	X	Y	X	Y	X	Y	X	Y	X	Y	X	Y	X	Y
R3015-BL1	15	1/2"	67	44	36	13	185	75	195	75	230	80	230	80	190	80	200	90	220	90	220	90
R3020-BL2	20	3/4"	78	46	41.5	14			200	75	235	80	235	80			205	90	225	90	225	90
R3025-BL2	25	1"	87	46	45	16			200	75	235	80	235	80			205	90	225	90	225	90
R3032-BL2	32	1 1/4"	105	46	55.5	19			200	75	240	80	240	80					230	90	230	90
R3032-BL3	32	1 1/4"	105	50.5	55.5	19					240	80	240	80					230	90	230	90
R3040-BL3	40	1 1/2"	111	50.5	56	19					240	80	240	80					230	90	230	90
R3040-BL4	40	1 1/2"	122	62	66.5	19							250	80							240	90
R3050-BL3	50	2"	125	56	68	22					245	80	245	80					235	90	235	90
R3050-BL4	50	2"	142	68	79	22							262	80							252	90



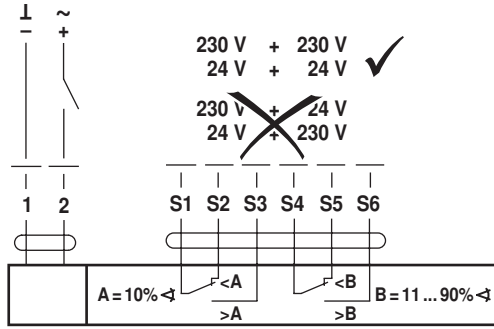




AC 24 V / DC 24 V

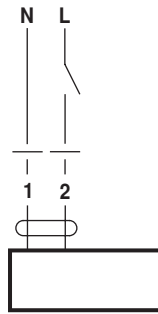


..RF24A(-O)

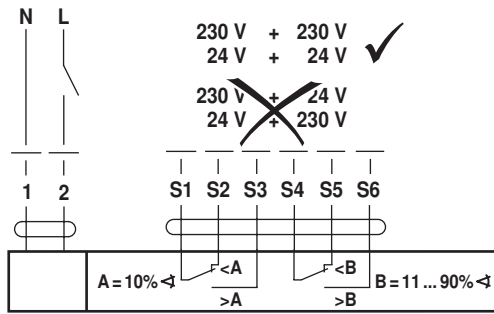


..RF24A-S2(-O)

AC 230 V ⚠

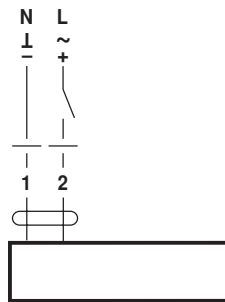


..RF230A(-O)

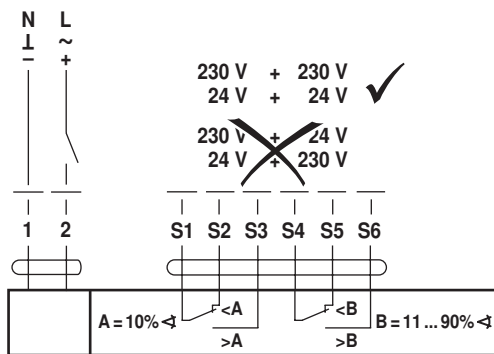


..RF230A-S2(-O)

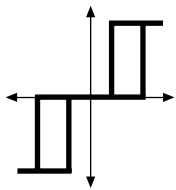
AC 24...240 V / DC 24...125 V ⚠



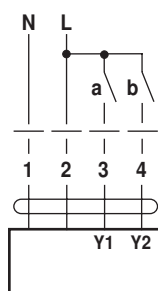
..RFA(-O)



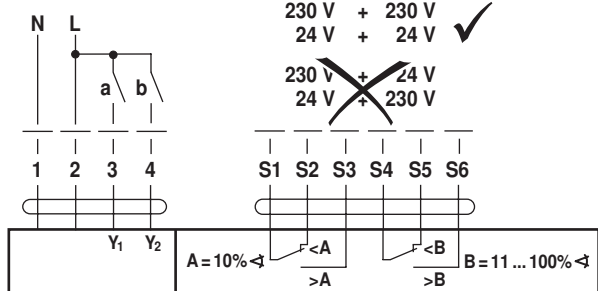
..RFA-S2(-O)



AC 230 V ⚠

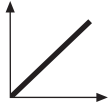


NRF(D)230A-3(-O)
SRF230A-3(-O)

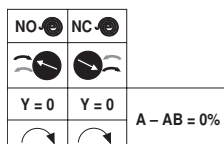
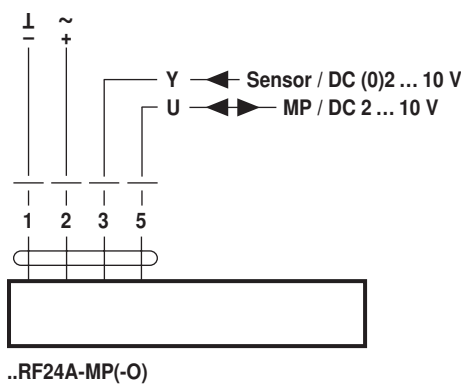
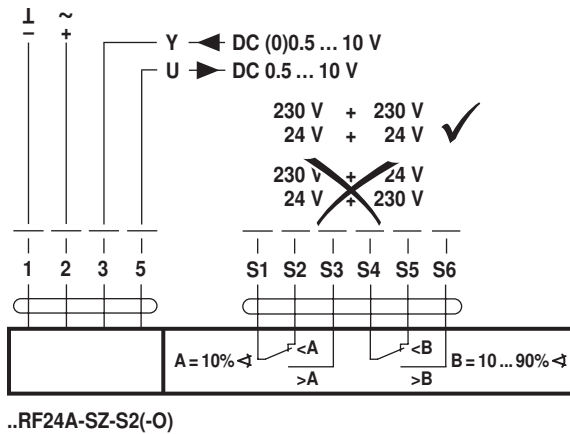
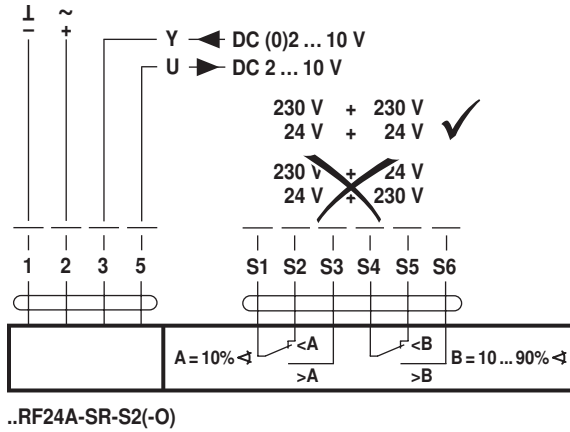
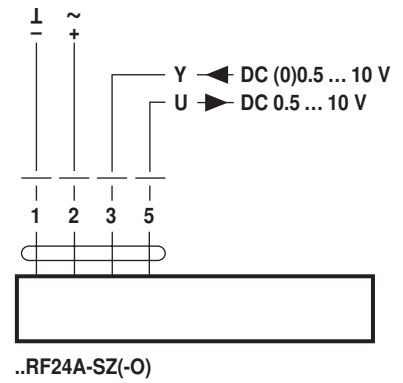
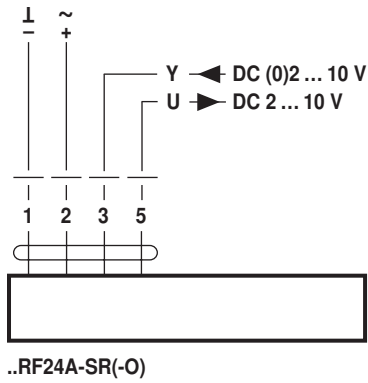


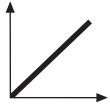
NRF(D)230A-3-S2(-O)
SRF230A-3-S2(-O)

		NO-⊖	NC-⊕	
a (Y1)	b (Y2)			
				A - AB = 100%
		stop	stop	
				A - AB = 0%



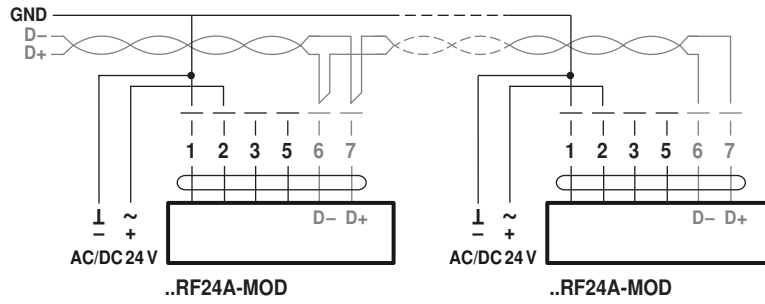
AC 24 V / DC 24 V



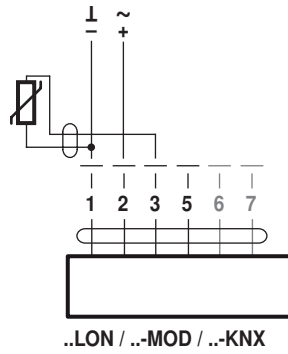
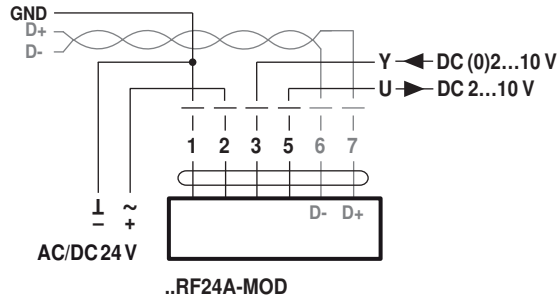


AC 24 V / DC 24 V

BACnet MS/TP / Modbus RTU



BACnet MS/TP / Modbus RTU / analog



Ni1000	-28...+98°C	850...1600 Ω ²
PT1000	-35...+155°C	850...1600 Ω ²
NTC	-10...+160°C ¹⁾	200 Ω...60 kΩ ²⁾

