

Inverter Multi System R32

Outdoor Unit (5 Rooms)

RAS-5M34U2AVG-E

Contents

1 Line up	2
2 Specifications	3
2-1 Outdoor Unit	3
2-2 Combination	4
3 Dimension	46
4 Wiring diagrams	47
5 Refrigerant cycle	48
6 Sound characteristics (NC Curve)	49
7 Capacity table	50

1. Line up

RAS-5M34U2AVG-E

Type	Appearance	Model name	Capacity rank
High wall DSK9		RAS-M10PKVPG-E	10k
		RAS-M13PKVPG-E	13k
		RAS-M16PKVPG-E	16k
High wall SHORAI		RAS-M05PKVSG-E	05k
		RAS-M07PKVSG-E	07k
		RAS-B10PKVSG-E	10k
		RAS-B13PKVSG-E	13k
		RAS-B16PKVSG-E	16k
High wall MIRAI		RAS-B05BKVG-E	05k
		RAS-B07BKVG-E	07k
		RAS-B10BKVG-E	10k
		RAS-B13BKVG-E	13k
		RAS-B16BKVG-E	16k
Ducted		RAS-M07U2DVG-E	07k
		RAS-M10U2DVG-E	10k
		RAS-M13U2DVG-E	13k
		RAS-M16U2DVG-E	16k
		RAS-M22U2DVG-E	22k
		RAS-M24U2DVG-E	24k
Compact 4-way		RAS-M10U2MUVG-E	10k
		RAS-M13U2MUVG-E	13k
		RAS-M16U2MUVG-E	16k
Bi-Flow console		RAS-B10U2FVG-E	10k
		RAS-B13U2FVG-E	13k
		RAS-B18U2FVG-E	18k

2. Specifications

2.1 Outdoor unit : RAS-5M34U2AVG-E

Unit model	Outdoor		RAS-5M34U2AVG-E		
	Connection indoor unit of this specification		RAS-B13PKVSG-E (x5)		
Cooling Capacity		(kW)	10.0		
Cooling Capacity range		(kW)	3.7 to 11.0		
Heating Capacity		(kW)	12.0		
Heating Capacity range		(kW)	2.7 to 14.0		
Power supply	220-240V, 1PH, 50Hz				
Electric characteristics	Total	Operation mode	Cooling	Heating	
		Running current (A)	14.26 / 13.65 / 13.07	13.56 / 12.97 / 12.43	
		Power consumption (W)	2980	2833	
		Power factor (%)	95	95	
		Starting current (A)	14.26		
COP (Cooling/Heating)			3.36 / 4.24		
Operating noise	Outdoor (Cooling/Heating)	Sound pressure level (dBA)	52 / 55		
		Sound power level (dBA)	63 / 64		
Outdoor unit	Dimension	Height (mm)	890		
		Width (mm)	900		
		Depth (mm)	320		
	Net weight (kg)	78			
	Compressor	Motor output (W)	2000		
		Type	Twin rotary type with DC-inverter variable speed control		
		Model	DX270A2T-20L		
	Fan motor output (W)	100			
	Air flow rate (Cooling/Heating) (m ³ /h)	3426 / 3666			
	Type	Flare connection			
	Name of refrigerant	R32			
Weight of refrigerant (kg)	1.92				
Piping connection	Outdoor unit	A unit liquid side/gas side	Ø6.35 / Ø12.7		
		B unit liquid side/gas side	Ø6.35 / Ø12.7		
		C unit liquid side/gas side	Ø6.35 / Ø9.52		
		D unit liquid side/gas side	Ø6.35 / Ø9.52		
		E unit liquid side/gas side	Ø6.35 / Ø9.52		
	Maximum length (per unit) (m)	25			
	Maximum length (total) (m)	80			
	Maximum chargeless length (m)	40			
Maximum height difference (m)	15				
Wiring connection	Power supply / interconnection		3 Wires : includes earth / 4 Wires : includes earth		
Usable temperature range	Outdoor (Cooling/Heating) (°C)		-10 to 46 / -15 to 24		

For performance when each indoor unit is combined with other unit, refer to the separate table.
The specifications may be subject to change without notice for purpose of improvement.

• (*1) Rated conditions

Cooling : Capacity test condition, inside : 27 °C (Db) / 19 °C (Wb), outside : 35 °C (Db) / 24 °C (Wb)

Heating : Capacity test condition, inside : 20 °C (Db), outside : 7 °C (Db) / 6 °C (Wb)

Piping length : 5 m per Indoor Unit.

2.2 Combination

Operation mode : Cooling

Power supply voltage : 220V

Operating status	Indoor unit					Unit capacity (kW)					Cooling capacity (kW)			Power consumption (W)			Operating current (A)			Power factor (%)			SEER		
	A	B	C	D	E	ΣKBTU	A	B	C	D	E	Min	Rate	Max	Min	Rate	Max	Min	Rate	Max	Min	Rate		Max	Min
1 unit	05	-	-	-	-	5	1.50	-	-	-	-	1.4	1.5	2.0	630	640	650	3.77	3.78	3.48	76	77	85	-	
	07	-	-	-	-	7	2.00	-	-	-	-	1.4	2.0	2.5	640	650	700	3.83	3.84	3.74	76	77	85	-	
	10	-	-	-	-	10	2.70	-	-	-	-	1.4	2.7	3.2	640	750	950	3.83	4.43	4.64	76	77	93	-	
	13	-	-	-	-	13	3.70	-	-	-	-	1.4	3.7	4.4	640	1200	1520	3.68	6.20	7.20	79	88	96	-	
	16	-	-	-	-	16	4.50	-	-	-	-	1.4	4.5	5.0	640	1650	2000	3.68	7.98	9.28	79	94	98	-	
	18	-	-	-	-	18	5.00	-	-	-	-	1.4	5.0	5.2	640	1950	2100	3.68	9.33	9.74	79	95	98	-	
	22	-	-	-	-	22	6.00	-	-	-	-	2.4	6.0	6.8	660	2020	2500	3.80	9.56	11.60	79	96	98	-	
	24	-	-	-	-	24	7.10	-	-	-	-	2.4	7.1	7.2	660	2390	2960	3.80	11.32	13.73	79	96	98	-	
2 units	05	05	-	-	-	10	1.50	1.50	-	-	-	2.5	3.0	4.0	640	1210	1480	3.64	5.79	6.86	80	95	98	4.82	
	07	05	-	-	-	12	2.00	1.50	-	-	-	2.5	3.5	4.5	640	1310	1625	3.64	6.27	7.54	80	95	98	5.05	
	10	05	-	-	-	15	2.70	1.50	-	-	-	2.5	4.2	5.2	640	1440	1810	3.64	6.89	8.40	80	95	98	5.32	
	13	05	-	-	-	18	3.56	1.44	-	-	-	2.5	5.0	6.0	640	1620	1980	3.64	7.75	9.18	80	95	98	5.38	
	16	05	-	-	-	21	4.35	1.45	-	-	-	2.5	5.8	6.5	640	1810	2160	3.64	8.66	10.02	80	95	98	5.55	
	18	05	-	-	-	23	4.54	1.36	-	-	-	2.5	5.9	6.6	640	1810	2220	3.64	8.66	10.30	80	95	98	5.51	
	22	05	-	-	-	27	5.04	1.26	-	-	-	2.5	6.3	6.9	640	2040	2400	3.64	9.76	11.13	80	95	98	5.54	
	24	05	-	-	-	29	5.20	1.10	-	-	-	2.5	6.3	6.9	640	2040	2400	3.64	9.76	11.13	80	95	98	5.31	
	07	07	-	-	-	14	2.00	2.00	-	-	-	2.5	4.0	5.0	640	1400	1770	3.64	6.70	8.21	80	95	98	5.25	
	10	07	-	-	-	17	2.70	2.00	-	-	-	2.5	4.7	5.7	640	1530	1910	3.64	7.32	8.86	80	95	98	5.48	
	13	07	-	-	-	20	3.70	2.00	-	-	-	2.6	5.7	6.5	660	1810	2130	3.75	8.66	9.88	80	95	98	5.54	
	16	07	-	-	-	23	4.08	1.82	-	-	-	2.7	5.9	6.6	660	1810	2220	3.75	8.66	10.30	80	95	98	5.57	
	18	07	-	-	-	25	4.50	1.80	-	-	-	2.9	6.3	6.9	670	2040	2400	3.81	9.76	11.13	80	95	98	5.52	
	22	07	-	-	-	29	4.73	1.58	-	-	-	2.9	6.3	6.9	670	2040	2400	3.81	9.76	11.13	80	95	98	5.55	
	24	07	-	-	-	31	5.31	1.49	-	-	-	3.0	6.8	7.2	690	2320	2570	3.92	11.10	11.92	80	95	98	5.34	
	10	10	-	-	-	20	2.70	2.70	-	-	-	2.5	5.4	6.3	640	1530	2040	3.64	7.32	9.46	80	95	98	5.82	
	13	10	-	-	-	23	3.41	2.49	-	-	-	2.7	5.9	6.6	660	1810	2220	3.75	8.66	10.30	80	95	98	5.57	
	16	10	-	-	-	26	3.94	2.36	-	-	-	2.9	6.3	6.9	670	2040	2400	3.81	9.76	11.13	80	95	98	5.55	
	18	10	-	-	-	28	4.09	2.21	-	-	-	2.9	6.3	6.9	670	2040	2400	3.81	9.76	11.13	80	95	98	5.52	
	22	10	-	-	-	32	4.69	2.11	-	-	-	3.0	6.8	7.2	690	2320	2570	3.92	11.10	11.92	80	95	98	5.35	
	24	10	-	-	-	34	5.22	1.98	-	-	-	3.2	7.2	7.5	700	2550	2750	3.98	12.20	12.76	80	95	98	5.56	
	13	13	-	-	-	26	3.15	3.15	-	-	-	2.9	6.3	6.9	670	2040	2400	3.81	9.76	11.13	80	95	98	5.55	
	16	13	-	-	-	29	3.73	3.07	-	-	-	3.0	6.8	7.2	690	2320	2570	3.92	11.10	11.92	80	95	98	5.35	
	18	13	-	-	-	31	3.91	2.89	-	-	-	3.0	6.8	7.2	690	2320	2570	3.92	11.10	11.92	80	95	98	5.33	
	22	13	-	-	-	35	4.45	2.75	-	-	-	3.2	7.2	7.5	700	2550	2750	3.98	12.20	12.76	80	95	98	5.57	
	24	13	-	-	-	37	4.73	2.47	-	-	-	3.2	7.2	7.5	700	2550	2750	3.98	12.20	12.76	80	95	98	5.56	
	16	16	-	-	-	32	3.60	3.60	-	-	-	3.2	7.2	7.5	700	2550	2750	3.98	12.20	12.76	80	95	98	5.57	
	18	16	-	-	-	34	3.79	3.41	-	-	-	3.2	7.2	7.5	700	2550	2750	3.98	12.20	12.76	80	95	98	5.55	
	22	16	-	-	-	38	4.17	3.13	-	-	-	3.2	7.3	7.5	700	2550	2750	3.98	12.20	12.76	80	95	98	5.59	
	24	16	-	-	-	40	4.47	2.83	-	-	-	3.2	7.3	7.5	700	2550	2750	3.98	12.20	12.76	80	95	98	5.58	
	18	18	-	-	-	36	3.60	3.60	-	-	-	3.2	7.2	7.5	700	2550	2750	3.98	12.20	12.76	80	95	98	5.52	
	22	18	-	-	-	40	4.04	3.36	-	-	-	3.2	7.4	7.5	700	2550	2750	3.98	12.20	12.76	80	95	98	5.58	
	24	18	-	-	-	42	4.34	3.06	-	-	-	3.2	7.4	7.5	700	2550	2750	3.98	12.20	12.76	80	95	98	5.58	
	22	22	-	-	-	44	4.00	4.00	-	-	-	3.2	8.0	8.3	700	2570	2770	3.98	12.17	12.85	80	96	98	5.97	
	24	22	-	-	-	46	4.34	3.66	-	-	-	3.2	8.0	8.3	700	2570	2770	3.98	12.17	12.85	80	96	98	5.96	
	24	24	-	-	-	48	4.05	4.05	-	-	-	3.2	8.1	8.4	700	2600	2800	3.98	12.31	12.99	80	96	98	5.97	

Specification values are those under the condition as follows ;

Cooling : Capacity test condition, inside : 27 °C (Db) / 19 °C (Wb), outside : 35 °C (Db) / 24 °C (Wb)

Piping length : 5 m. per indoor unit.

Operation mode : Cooling

Power supply voltage : 220V

Operating status	Indoor unit					Unit capacity (kW)					Cooling capacity (kW)			Power consumption (W)			Operating current (A)			Power factor (%)			SEER	
	A	B	C	D	E	ΣkBTU	A	B	C	D	E	Min	Rate	Max	Min	Rate	Max	Min	Rate	Max	Min	Rate		Max
3 units	05	05	05	-	-	15	1.50	1.50	1.50	-	-	3.8	4.5	5.5	950	1840	1910	4.80	8.80	8.86	90	95	98	5.44
	07	05	05	-	-	17	2.00	1.50	1.50	-	-	3.8	5.0	6.0	950	1930	2060	4.80	9.23	9.55	90	95	98	5.51
	10	05	05	-	-	20	2.70	1.50	1.50	-	-	3.8	5.7	6.5	950	2040	2210	4.80	9.76	10.25	90	95	98	5.72
	13	05	05	-	-	23	3.59	1.46	1.46	-	-	3.8	6.5	7.2	950	2300	2410	4.80	11.00	11.18	90	95	98	5.80
	16	05	05	-	-	26	4.32	1.44	1.44	-	-	3.8	7.2	8.2	950	2400	2660	4.80	11.48	12.34	90	95	98	5.92
	18	05	05	-	-	28	4.75	1.43	1.43	-	-	3.8	7.6	8.3	950	2410	2690	4.80	11.53	12.48	90	95	98	5.97
	22	05	05	-	-	32	5.13	1.28	1.28	-	-	3.8	7.7	8.5	950	2410	2720	4.80	11.53	12.62	90	95	98	6.00
	24	05	05	-	-	34	5.27	1.11	1.11	-	-	3.8	7.5	8.5	950	2410	2720	4.80	11.53	12.62	90	95	98	5.95
	07	07	05	-	-	19	2.00	2.00	1.50	-	-	3.8	5.5	6.3	950	2010	2170	4.80	9.62	10.06	90	95	98	5.66
	10	07	05	-	-	22	2.70	2.00	1.50	-	-	3.8	6.2	6.9	950	2120	2330	4.80	10.14	10.81	90	95	98	5.77
	13	07	05	-	-	25	3.55	1.92	1.44	-	-	3.8	6.9	7.8	950	2400	2230	4.80	11.48	10.34	90	95	98	5.88
	16	07	05	-	-	28	4.28	1.90	1.43	-	-	3.8	7.6	8.3	950	2410	2690	4.80	11.53	12.48	90	95	98	6.00
	18	07	05	-	-	30	4.53	1.81	1.36	-	-	3.8	7.7	8.5	950	2410	2720	4.80	11.53	12.62	90	95	98	5.99
	22	07	05	-	-	34	4.86	1.62	1.22	-	-	3.8	7.7	8.5	950	2410	2720	4.80	11.53	12.62	90	95	98	6.00
	24	07	05	-	-	36	5.22	1.47	1.10	-	-	3.8	7.8	8.6	950	2430	2760	4.80	11.63	12.80	90	95	98	6.02
	10	10	05	-	-	25	2.70	2.70	1.50	-	-	3.8	6.9	7.8	950	2400	2230	4.80	11.48	10.34	90	95	98	5.88
	13	10	05	-	-	28	3.56	2.60	1.44	-	-	3.8	7.6	8.3	950	2410	2690	4.80	11.53	12.48	90	95	98	6.00
	16	10	05	-	-	31	3.98	2.39	1.33	-	-	3.8	7.7	8.5	950	2410	2720	4.80	11.53	12.62	90	95	98	6.02
	18	10	05	-	-	33	4.18	2.26	1.26	-	-	3.8	7.7	8.5	950	2410	2720	4.80	11.53	12.62	90	95	98	5.99
	22	10	05	-	-	37	4.59	2.06	1.15	-	-	3.8	7.8	8.6	950	2430	2760	4.80	11.63	12.80	90	95	98	6.02
	24	10	05	-	-	39	4.90	1.86	1.04	-	-	3.8	7.8	8.6	950	2430	2760	4.80	11.63	12.80	90	95	98	6.02
	13	13	05	-	-	31	3.20	3.20	1.30	-	-	3.8	7.7	8.5	950	2410	2720	4.80	11.53	12.62	90	95	98	6.02
	16	13	05	-	-	34	3.48	2.86	1.16	-	-	3.8	7.5	8.5	950	2410	2720	4.80	11.53	12.62	90	95	98	5.98
	18	13	05	-	-	36	3.82	2.83	1.15	-	-	3.8	7.8	8.6	950	2430	2760	4.80	11.63	12.80	90	95	98	6.00
	22	13	05	-	-	40	4.18	2.58	1.04	-	-	3.8	7.8	8.6	950	2430	2760	4.80	11.63	12.80	90	95	98	6.02
	24	13	05	-	-	42	4.50	2.35	0.95	-	-	3.8	7.8	8.6	950	2430	2760	4.80	11.63	12.80	90	95	98	6.02
	16	16	05	-	-	37	3.34	3.34	1.11	-	-	3.8	7.8	8.6	950	2430	2760	4.80	11.63	12.80	90	95	98	6.02
	18	16	05	-	-	39	3.55	3.19	1.06	-	-	3.8	7.8	8.6	950	2430	2760	4.80	11.63	12.80	90	95	98	6.00
	22	16	05	-	-	43	3.95	2.96	0.99	-	-	3.8	7.9	8.7	950	2440	2780	4.80	11.67	12.89	90	95	98	6.04
	24	16	05	-	-	45	4.28	2.71	0.90	-	-	3.8	7.9	8.7	950	2440	2780	4.80	11.67	12.89	90	95	98	6.04
	18	18	05	-	-	41	3.39	3.39	1.02	-	-	3.8	7.8	8.6	950	2430	2760	4.80	11.63	12.80	90	95	98	5.97
	22	18	05	-	-	45	3.79	3.16	0.95	-	-	3.8	7.9	8.7	950	2440	2780	4.80	11.67	12.89	90	95	98	6.02
	24	18	05	-	-	47	4.12	2.90	0.87	-	-	3.8	7.9	8.7	950	2440	2780	4.80	11.67	12.89	90	95	98	6.01
	22	22	05	-	-	49	3.51	3.51	0.88	-	-	3.8	7.9	8.7	950	2440	2780	4.80	11.67	12.89	90	95	98	6.04
	24	22	05	-	-	51	3.89	3.29	0.82	-	-	3.8	8.0	8.8	950	2450	2810	4.80	11.72	13.03	90	95	98	6.12
	24	24	05	-	-	53	3.62	3.62	0.76	-	-	3.8	8.0	8.9	950	2450	2830	4.80	11.72	13.13	90	95	98	6.12
	07	07	07	-	-	21	2.00	2.00	2.00	-	-	3.8	6.0	7.5	950	2100	2500	4.80	10.05	11.60	90	95	98	5.72
	10	07	07	-	-	24	2.70	2.00	2.00	-	-	3.8	6.7	8.2	950	2400	2660	4.80	11.48	12.34	90	95	98	5.83
	13	07	07	-	-	27	3.65	1.97	1.97	-	-	3.9	7.6	8.3	960	2410	2690	4.85	11.53	12.48	90	95	98	5.84
	16	07	07	-	-	30	4.08	1.81	1.81	-	-	4.0	7.7	8.5	960	2410	2720	4.85	11.53	12.62	90	95	98	5.83
	18	07	07	-	-	32	4.28	1.71	1.71	-	-	4.0	7.7	8.5	960	2410	2720	4.85	11.53	12.62	90	95	98	5.81
	22	07	07	-	-	36	4.68	1.56	1.56	-	-	4.1	7.8	8.6	970	2430	2760	4.90	11.63	12.80	90	95	98	6.04
	24	07	07	-	-	38	4.99	1.41	1.41	-	-	4.1	7.8	8.6	970	2430	2760	4.90	11.63	12.80	90	95	98	6.03
	10	10	07	-	-	27	2.70	2.70	2.00	-	-	3.8	7.4	8.2	950	2400	2660	4.80	11.48	12.34	90	95	98	5.62
	13	10	07	-	-	30	3.39	2.48	1.83	-	-	3.9	7.7	8.3	960	2410	2690	4.85	11.53	12.48	90	95	98	5.83
	16	10	07	-	-	33	3.77	2.26	1.67	-	-	4.0	7.7	8.5	960	2410	2720	4.85	11.53	12.62	90	95	98	5.83
	18	10	07	-	-	35	3.97	2.14	1.59	-	-	4.0	7.7	8.5	960	2410	2720	4.85	11.53	12.62	90	95	98	5.81
	22	10	07	-	-	39	4.37	1.97	1.46	-	-	4.1	7.8	8.6	970	2430	2760	4.90	11.63	12.80	90	95	98	6.04
24	10	07	-	-	41	4.69	1.78	1.32	-	-	4.1	7.8	8.6	970	2430	2760	4.90	11.63	12.80	90	95	98	6.03	
13	13	07	-	-	33	3.03	3.03	1.64	-	-	4.0	7.7	8.5	960	2410	2720	4.85	11.53	12.62	90	95	98	5.83	
16	13	07	-	-	36	3.44	2.83	1.53	-	-	4.1	7.8	8.6	970	2430	2760	4.90	11.63	12.80	90	95	98	5.83	
18	13	07	-	-	38	3.64	2.70	1.46	-	-	4.1	7.8	8.6	970	2430	2760	4.90	11.63	12.80	90	95	98	5.80	
22	13	07	-	-	42	4.00	2.47	1.33	-	-	4.1	7.8	8.6	970	2430	2760	4.90	11.63	12.80	90	95	98	6.04	
24	13	07	-	-	44	4.38	2.28	1.23	-	-	4.1	7.9	8.7	970	2440	2780	4.90	11.67	12.89	90	95	98	6.04	
16	16	07	-	-	39	3.19	3.19	1.42	-	-	4.1	7.8	8.6	970	2430	2760	4.90	11.63	12.80	90	95	98	5.94	
18	16	07	-	-	41	3.39	3.05	1.36	-	-	4.1	7.8	8.6	970	2430	2760	4.90	11.63	12.80	90	95	98	6.01	
22	16	07	-	-	45	3.79	2.84	1.26	-	-	4.1	7.9	8.7	970	2440	2780	4.90	11.67	12.89	90	95	98	6.04	
24	16	07	-	-	47	4.12	2.61	1.16	-	-	4.1	7.9	8.7	970	2440	2780	4.90	11.67	12.89	90	95	98	6.04	
18	18	07	-	-	43	3.29	3.29	1.32	-	-	4.1	7.9	8.7	970	2440	2780	4.90	11.67	12.89	90	95	98	5.99	
22	18	07	-	-	47	3.65	3.04	1.22	-	-	4.1	7.9	8.7	970	2440	2780	4.90	11.67	12.89	90	95	98	6.02	
24	18	07	-	-	49	3.98	2.80	1.12	-	-	4.1	7.9	8.7	970	2440	2780	4.90	11.67	12.89	90	95	98	6.01	
22	22	07	-	-	51	3.43	3.43	1.14	-	-	4.1	8.0	8.8	970	2440	2810	4.90	11.67	13.03	90	95	98	6.13	
24	22	07	-	-	53	3.81	3.22	1.07	-	-	4.1	8.1	8.9	970	2440	2830	4.90	11.67	13.13	90	95	98	6.05	
24																								

Operation mode : Cooling

Power supply voltage : 220V

Operating status	Indoor unit					Unit capacity (kW)					Cooling capacity (kW)			Power consumption (W)			Operating current (A)			Power factor (%)			SEER	
	A	B	C	D	E	ΣkBTU	A	B	C	D	E	Min	Rate	Max	Min	Rate	Max	Min	Rate	Max	Min	Rate	Max	Rate
3 units	18	16	13	-	-	47	2.99	2.69	2.21	-	-	4.1	7.9	8.7	970	2440	2830	4.90	11.67	13.13	90	95	98	6.02
	22	16	13	-	-	51	3.38	2.54	2.08	-	-	4.3	8.0	9.0	980	2450	2900	4.95	11.72	13.45	90	95	98	6.06
	24	16	13	-	-	53	3.71	2.35	1.93	-	-	4.3	8.0	9.0	980	2450	2900	4.95	11.72	13.45	90	95	98	6.06
	18	18	13	-	-	49	2.88	2.88	2.13	-	-	4.1	7.9	8.7	970	2440	2830	4.90	11.67	13.13	90	95	98	5.99
	22	18	13	-	-	53	3.31	2.76	2.04	-	-	4.1	8.1	9.0	970	2440	2900	4.90	11.67	13.45	90	95	98	6.04
	24	18	13	-	-	55	3.64	2.56	1.90	-	-	4.1	8.1	9.0	970	2440	2900	4.90	11.67	13.45	90	95	98	6.04
	16	16	16	-	-	48	2.67	2.67	2.67	-	-	4.3	8.0	9.0	980	2450	2900	4.95	11.72	13.45	90	95	98	6.06

Specification values are those under the condition as follows ;

Cooling : Capacity test condition, inside : 27 °C (Db) / 19 °C (Wb), outside : 35 °C (Db) / 24 °C (Wb)

Piping length : 5 m. per indoor unit.

Operation mode : Cooling

Power supply voltage : 220V

Operating status	Indoor unit						Unit capacity (kW)					Cooling capacity (kW)			Power consumption (W)			Operating current (A)			Power factor (%)			SEER
	A	B	C	D	E	ΣkBTU	A	B	C	D	E	Min	Rate	Max	Min	Rate	Max	Min	Rate	Max	Min	Rate	Max	
4 units	05	05	05	05	-	20	1.50	1.50	1.50	1.50	-	4.0	6.0	7.0	930	1840	2270	4.70	8.80	10.53	90	95	98	5.71
	07	05	05	05	-	22	2.00	1.50	1.50	1.50	-	4.0	6.5	7.4	930	2020	2400	4.70	9.67	11.13	90	95	98	5.81
	10	05	05	05	-	25	2.70	1.50	1.50	1.50	-	4.0	7.2	8.0	930	2250	2580	4.70	10.77	11.97	90	95	98	5.89
	13	05	05	05	-	28	3.61	1.46	1.46	1.46	-	4.0	8.0	8.7	930	2500	2800	4.70	11.96	12.99	90	95	98	5.96
	16	05	05	05	-	31	4.20	1.40	1.40	1.40	-	4.0	8.4	8.8	930	2710	2820	4.70	12.97	13.08	90	95	98	6.00
	18	05	05	05	-	33	4.47	1.34	1.34	1.34	-	4.0	8.5	8.9	930	2720	2840	4.70	13.01	13.17	90	95	98	6.00
	22	05	05	05	-	37	4.97	1.24	1.24	1.24	-	4.0	8.7	9.1	930	2720	2850	4.70	13.01	13.22	90	95	98	6.06
	24	05	05	05	-	39	5.39	1.14	1.14	1.14	-	4.0	8.8	9.2	930	2730	2880	4.70	13.06	13.36	90	95	98	6.07
	07	07	05	05	-	24	2.00	2.00	1.50	1.50	-	4.0	7.0	7.9	930	2200	2540	4.70	10.53	11.78	90	95	98	5.85
	10	07	05	05	-	27	2.74	2.03	1.52	1.52	-	4.0	7.8	8.5	930	2460	2730	4.70	11.77	12.66	90	95	98	5.94
	13	07	05	05	-	30	3.53	1.91	1.43	1.43	-	4.0	8.3	8.8	930	2660	2810	4.70	12.73	13.03	90	95	98	5.99
	16	07	05	05	-	33	4.03	1.79	1.34	1.34	-	4.0	8.5	8.9	930	2720	2840	4.70	13.01	13.17	90	95	98	6.02
	18	07	05	05	-	35	4.30	1.72	1.29	1.29	-	4.0	8.6	9.0	930	2720	2850	4.70	13.01	13.22	90	95	98	6.02
	22	07	05	05	-	39	4.80	1.60	1.20	1.20	-	4.0	8.8	9.2	930	2730	2880	4.70	13.06	13.36	90	95	98	6.08
	24	07	05	05	-	41	5.22	1.47	1.10	1.10	-	4.0	8.9	9.3	930	2730	2880	4.70	13.06	13.36	90	95	98	6.09
	10	10	05	05	-	30	2.67	2.67	1.48	1.48	-	4.0	8.3	8.8	930	2660	2810	4.70	12.73	13.03	90	95	98	5.99
	13	10	05	05	-	33	3.35	2.44	1.36	1.36	-	4.0	8.5	8.9	930	2720	2840	4.70	13.01	13.17	90	95	98	6.02
	16	10	05	05	-	36	3.84	2.30	1.28	1.28	-	4.0	8.7	9.1	930	2720	2850	4.70	13.01	13.22	90	95	98	6.06
	18	10	05	05	-	38	4.11	2.22	1.23	1.23	-	4.0	8.8	9.2	930	2730	2870	4.70	13.06	13.31	90	95	98	6.06
	22	10	05	05	-	42	4.56	2.05	1.14	1.14	-	4.0	8.9	9.3	930	2730	2880	4.70	13.06	13.36	90	95	98	6.10
	24	10	05	05	-	44	4.99	1.90	1.05	1.05	-	4.0	9.0	9.4	930	2740	2900	4.70	13.11	13.45	90	95	98	6.11
	13	13	05	05	-	36	3.10	3.10	1.25	1.25	-	4.0	8.7	9.1	930	2720	2850	4.70	13.01	13.22	90	95	98	6.06
	16	13	05	05	-	39	3.54	2.91	1.18	1.18	-	4.0	8.8	9.2	930	2730	2880	4.70	13.06	13.36	90	95	98	6.08
	18	13	05	05	-	41	3.80	2.81	1.14	1.14	-	4.0	8.9	9.3	930	2730	2880	4.70	13.06	13.36	90	95	98	6.07
	22	13	05	05	-	45	4.25	2.62	1.06	1.06	-	4.0	9.0	9.4	930	2740	2900	4.70	13.11	13.45	90	95	98	6.11
	24	13	05	05	-	47	4.63	2.41	0.98	0.98	-	4.0	9.0	9.4	930	2740	2900	4.70	13.11	13.45	90	95	98	6.11
	16	16	05	05	-	42	3.34	3.34	1.11	1.11	-	4.0	8.9	9.3	930	2730	2880	4.70	13.06	13.36	90	95	98	6.10
	18	16	05	05	-	44	3.60	3.24	1.08	1.08	-	4.0	9.0	9.4	930	2740	2900	4.70	13.11	13.45	90	95	98	6.09
	22	16	05	05	-	48	4.00	3.00	1.00	1.00	-	4.0	9.0	9.4	930	2740	2900	4.70	13.11	13.45	90	95	98	6.11
	24	16	05	05	-	50	4.38	2.77	0.92	0.92	-	4.0	9.0	9.4	930	2740	2900	4.70	13.11	13.45	90	95	98	6.11
	18	18	05	05	-	46	3.46	3.46	1.04	1.04	-	4.0	9.0	9.4	930	2740	2900	4.70	13.11	13.45	90	95	98	6.07
	22	18	05	05	-	50	3.86	3.21	0.96	0.96	-	4.0	9.0	9.4	930	2740	2900	4.70	13.11	13.45	90	95	98	6.09
	24	18	05	05	-	52	4.23	2.98	0.89	0.89	-	4.0	9.0	9.4	930	2740	2900	4.70	13.11	13.45	90	95	98	6.09
	22	22	05	05	-	54	3.60	3.60	0.90	0.90	-	4.0	9.0	9.4	930	2740	2900	4.70	13.11	13.45	90	95	98	6.11
	07	07	07	05	-	26	2.00	2.00	1.50	1.50	-	4.0	7.5	8.3	930	2370	2670	4.70	11.34	12.38	90	95	98	5.89
	10	07	07	05	-	29	2.67	1.98	1.48	1.48	-	4.0	8.1	8.7	930	2600	2810	4.70	12.44	13.03	90	95	98	5.96
	13	07	07	05	-	32	3.42	1.85	1.85	1.39	-	4.0	8.5	8.9	930	2710	2830	4.70	12.97	13.13	90	95	98	6.02
	16	07	07	05	-	35	3.87	1.72	1.72	1.29	-	4.0	8.6	9.0	930	2720	2850	4.70	13.01	13.22	90	95	98	6.04
	18	07	07	05	-	37	4.14	1.66	1.66	1.24	-	4.0	8.7	9.1	930	2720	2850	4.70	13.01	13.22	90	95	98	6.04
	22	07	07	05	-	41	4.64	1.55	1.55	1.16	-	4.0	8.9	9.3	930	2730	2880	4.70	13.06	13.36	90	95	98	6.10
	24	07	07	05	-	43	5.07	1.43	1.43	1.07	-	4.0	9.0	9.4	930	2740	2900	4.70	13.11	13.45	90	95	98	6.11
	10	10	07	05	-	32	2.58	2.58	1.91	1.43	-	4.0	8.5	8.9	930	2710	2830	4.70	12.97	13.13	90	95	98	6.02
	13	10	07	05	-	35	3.21	2.35	1.74	1.30	-	4.0	8.6	9.0	930	2720	2850	4.70	13.01	13.22	90	95	98	6.04
	16	10	07	05	-	38	3.70	2.22	1.64	1.23	-	4.0	8.8	9.2	930	2730	2870	4.70	13.06	13.31	90	95	98	6.08
18	10	07	05	-	40	3.93	2.12	1.57	1.18	-	4.0	8.8	9.2	930	2730	2880	4.70	13.06	13.36	90	95	98	6.06	
22	10	07	05	-	44	4.43	1.99	1.48	1.11	-	4.0	9.0	9.4	930	2740	2900	4.70	13.11	13.45	90	95	98	6.11	
24	10	07	05	-	46	4.80	1.83	1.35	1.02	-	4.0	9.0	9.4	930	2740	2900	4.70	13.11	13.45	90	95	98	6.11	
13	13	07	05	-	38	2.99	2.99	1.61	1.21	-	4.0	8.8	9.2	930	2730	2870	4.70	13.06	13.31	90	95	98	6.08	
16	13	07	05	-	41	3.42	2.81	1.52	1.14	-	4.0	8.9	9.3	930	2730	2880	4.70	13.06	13.36	90	95	98	6.10	
18	13	07	05	-	43	3.69	2.73	1.48	1.11	-	4.0	9.0	9.4	930	2740	2900	4.70	13.11	13.45	90	95	98	6.09	
22	13	07	05	-	47	4.09	2.52	1.36	1.02	-	4.0	9.0	9.4	930	2740	2900	4.70	13.11	13.45	90	95	98	6.11	
24	13	07	05	-	49	4.47	2.33	1.26	0.94	-	4.0	9.0	9.4	930	2740	2900	4.70	13.11	13.45	90	95	98	6.11	
16	16	07	05	-	44	3.24	3.24	1.44	1.08	-	4.0	9.0	9.4	930	2740	2900	4.70	13.11	13.45	90	95	98	6.12	
18	16	07	05	-	46	3.46	3.12	1.38	1.04	-	4.0	9.0	9.4	930	2740	2900	4.70	13.11	13.45	90	95	98	6.09	
22	16	07	05	-	50	3.86	2.89	1.29	0.96	-	4.0	9.0	9.4	930	2740	2900	4.70	13.11	13.45	90	95	98	6.11	
18	18	07	05	-	48	3.33	3.33	1.33	1.00	-	4.0	9.0	9.4	930	2740	2900	4.70	13.11	13.45	90	95	98	6.07	
22	18	07	05	-	52	3.72	3.10	1.24	0.93	-	4.0	9.0	9.4	930	2740	2900	4.70	13.11	13.45	90	95	98	6.09	
10	10	10	05	-	35	2.42	2.42	2.42	1.34	-	4.0	8.6	9.0	930	2720	2850	4.70	13.01	13.22	90	95	98	6.04	
13	10	10	05	-	38	3.07	2.24	2.24	1.25	-	4.0	8.8	9.2	930	2730	2870	4.70	13.06	13.31	90	95	98	6.08	
16	10	10	05	-	41	3.51	2.11	2.11	1.17	-	4.0	8.9	9.3	930	2730	2880	4.70	13.06	13.36	90	95	98	6.10	
18	10	10	05	-	43	3.78	2.04	2.04	1.13	-	4.0	9.0	9.4	930	2740	2900	4.70	13.11	13.45	90	95	98	6.09	
22	1																							

Operation mode : Cooling

Power supply voltage : 220V

Operating status	Indoor unit						Unit capacity (kW)					Cooling capacity (kW)			Power consumption (W)			Operating current (A)			Power factor (%)			SEER	
	A	B	C	D	E	ΣKBTU	A	B	C	D	E	Min	Rate	Max	Min	Rate	Max	Min	Rate	Max	Min	Rate	Max		Min
4 units	24	13	07	07	-	51	4.32	2.25	1.22	1.22	-	4.2	9.0	9.4	950	2740	2900	4.80	13.11	13.45	90	95	98	6.11	
	16	16	07	07	-	46	3.12	3.12	1.38	1.38	-	4.2	9.0	9.4	950	2740	2900	4.80	13.11	13.45	90	95	98	6.12	
	18	16	07	07	-	48	3.33	3.00	1.33	1.33	-	4.2	9.0	9.4	950	2740	2900	4.80	13.11	13.45	90	95	98	6.09	
	22	16	07	07	-	52	3.72	2.79	1.24	1.24	-	4.2	9.0	9.4	950	2740	2900	4.80	13.11	13.45	90	95	98	6.11	
	24	16	07	07	-	54	4.10	2.60	1.15	1.15	-	4.2	9.0	9.4	950	2740	2900	4.80	13.11	13.45	90	95	98	6.11	
	18	18	07	07	-	50	3.21	3.21	1.29	1.29	-	4.2	9.0	9.4	950	2740	2900	4.80	13.11	13.45	90	95	98	6.07	
	22	18	07	07	-	54	3.60	3.00	1.20	1.20	-	4.2	9.0	9.4	950	2740	2900	4.80	13.11	13.45	90	95	98	6.09	
	24	18	07	07	-	56	3.97	2.80	1.12	1.12	-	4.2	9.0	9.4	950	2740	2900	4.80	13.11	13.45	90	95	98	6.09	
	10	10	10	07	-	37	2.30	2.30	2.30	1.70	-	4.1	8.6	9.0	940	2720	2850	4.75	13.01	13.22	90	95	98	6.04	
	13	10	10	07	-	40	2.93	2.14	2.14	1.59	-	4.1	8.8	9.2	940	2730	2880	4.75	13.06	13.36	90	95	98	6.08	
	16	10	10	07	-	43	3.37	2.02	2.02	1.50	-	4.1	8.9	9.3	940	2730	2880	4.75	13.06	13.36	90	95	98	6.10	
	18	10	10	07	-	45	3.63	1.96	1.96	1.45	-	4.2	9.0	9.4	950	2740	2900	4.80	13.11	13.45	90	95	98	6.09	
	22	10	10	07	-	49	4.03	1.81	1.81	1.34	-	4.2	9.0	9.4	950	2740	2900	4.80	13.11	13.45	90	95	98	6.11	
	24	10	10	07	-	51	4.41	1.68	1.68	1.24	-	4.2	9.0	9.4	950	2740	2900	4.80	13.11	13.45	90	95	98	6.11	
	13	13	10	07	-	43	2.75	2.75	2.01	1.49	-	4.2	9.0	9.4	950	2740	2900	4.80	13.11	13.45	90	95	98	6.12	
	16	13	10	07	-	46	3.14	2.58	1.88	1.40	-	4.2	9.0	9.4	950	2740	2900	4.80	13.11	13.45	90	95	98	6.12	
	18	13	10	07	-	48	3.36	2.49	1.81	1.34	-	4.2	9.0	9.4	950	2740	2900	4.80	13.11	13.45	90	95	98	6.09	
	22	13	10	07	-	52	3.75	2.31	1.69	1.25	-	4.2	9.0	9.4	950	2740	2900	4.80	13.11	13.45	90	95	98	6.11	
	24	13	10	07	-	54	4.12	2.15	1.57	1.16	-	4.2	9.0	9.4	950	2740	2900	4.80	13.11	13.45	90	95	98	6.11	
	16	16	10	07	-	49	2.96	2.96	1.77	1.31	-	4.2	9.0	9.4	950	2740	2900	4.80	13.11	13.45	90	95	98	6.12	
	18	16	10	07	-	51	3.17	2.85	1.71	1.27	-	4.2	9.0	9.4	950	2740	2900	4.80	13.11	13.45	90	95	98	6.09	
	22	16	10	07	-	55	3.55	2.66	1.60	1.18	-	4.2	9.0	9.4	950	2740	2900	4.80	13.11	13.45	90	95	98	6.11	
	24	16	10	07	-	57	3.92	2.48	1.49	1.10	-	4.2	9.0	9.4	950	2740	2900	4.80	13.11	13.45	90	95	98	6.11	
	18	18	10	07	-	53	3.06	3.06	1.65	1.22	-	4.2	9.0	9.4	950	2740	2900	4.80	13.11	13.45	90	95	98	6.07	
	22	18	10	07	-	57	3.44	2.87	1.55	1.15	-	4.2	9.0	9.4	950	2740	2900	4.80	13.11	13.45	90	95	98	6.09	
	24	18	10	07	-	59	3.80	2.68	1.45	1.07	-	4.2	9.0	9.4	950	2740	2900	4.80	13.11	13.45	90	95	98	6.09	
	13	13	13	07	-	46	2.54	2.54	2.54	1.37	-	4.2	9.0	9.4	950	2740	2900	4.80	13.11	13.45	90	95	98	6.12	
	16	13	13	07	-	49	2.91	2.40	2.40	1.29	-	4.2	9.0	9.4	950	2740	2900	4.80	13.11	13.45	90	95	98	6.12	
	18	13	13	07	-	51	3.13	2.31	2.31	1.25	-	4.2	9.0	9.4	950	2740	2900	4.80	13.11	13.45	90	95	98	6.09	
	22	13	13	07	-	55	3.51	2.16	2.16	1.17	-	4.2	9.0	9.4	950	2740	2900	4.80	13.11	13.45	90	95	98	6.11	
	24	13	13	07	-	57	3.87	2.02	2.02	1.09	-	4.2	9.0	9.4	950	2740	2900	4.80	13.11	13.45	90	95	98	6.11	
	16	16	13	07	-	52	2.76	2.76	2.27	1.22	-	4.2	9.0	9.4	950	2740	2900	4.80	13.11	13.45	90	95	98	6.12	
	18	16	13	07	-	54	2.96	2.66	2.19	1.18	-	4.2	9.0	9.4	950	2740	2900	4.80	13.11	13.45	90	95	98	6.09	
	22	16	13	07	-	58	3.33	2.50	2.06	1.11	-	4.2	9.0	9.4	950	2740	2900	4.80	13.11	13.45	90	95	98	6.11	
	24	16	13	07	-	60	3.69	2.34	1.92	1.04	-	4.2	9.0	9.4	950	2740	2900	4.80	13.11	13.45	90	95	98	6.11	
	18	18	13	07	-	56	2.87	2.87	2.12	1.15	-	4.2	9.0	9.4	950	2740	2900	4.80	13.11	13.45	90	95	98	6.07	
	22	18	13	07	-	60	3.23	2.69	1.99	1.08	-	4.2	9.0	9.4	950	2740	2900	4.80	13.11	13.45	90	95	98	6.09	
	24	18	13	07	-	62	3.59	2.53	1.87	1.01	-	4.2	9.0	9.4	950	2740	2900	4.80	13.11	13.45	90	95	98	6.09	
	10	10	10	10	-	40	2.18	2.18	2.18	2.18	-	4.1	8.7	9.1	940	2720	2850	4.75	13.01	13.22	90	95	98	6.06	
	13	10	10	10	-	43	2.79	2.04	2.04	2.04	-	4.1	8.9	9.3	940	2730	2880	4.75	13.06	13.36	90	95	98	6.10	
16	10	10	10	-	46	3.21	1.93	1.93	1.93	-	4.2	9.0	9.4	950	2740	2900	4.80	13.11	13.45	90	95	98	6.12		
18	10	10	10	-	48	3.44	1.85	1.85	1.85	-	4.2	9.0	9.4	950	2740	2900	4.80	13.11	13.45	90	95	98	6.09		
22	10	10	10	-	52	3.83	1.72	1.72	1.72	-	4.2	9.0	9.4	950	2740	2900	4.80	13.11	13.45	90	95	98	6.11		
24	10	10	10	-	54	4.20	1.60	1.60	1.60	-	4.2	9.0	9.4	950	2740	2900	4.80	13.11	13.45	90	95	98	6.11		
13	13	10	10	-	46	2.60	2.60	1.90	1.90	-	4.2	9.0	9.4	950	2740	2900	4.80	13.11	13.45	90	95	98	6.12		
16	13	10	10	-	49	2.98	2.45	1.79	1.79	-	4.2	9.0	9.4	950	2740	2900	4.80	13.11	13.45	90	95	98	6.12		
18	13	10	10	-	51	3.19	2.36	1.72	1.72	-	4.2	9.0	9.4	950	2740	2900	4.80	13.11	13.45	90	95	98	6.09		
22	13	10	10	-	55	3.58	2.21	1.61	1.61	-	4.2	9.0	9.4	950	2740	2900	4.80	13.11	13.45	90	95	98	6.11		
24	13	10	10	-	57	3.94	2.06	1.50	1.50	-	4.2	9.0	9.4	950	2740	2900	4.80	13.11	13.45	90	95	98	6.11		
16	16	10	10	-	52	2.81	2.81	1.69	1.69	-	4.2	9.0	9.4	950	2740	2900	4.80	13.11	13.45	90	95	98	6.12		
18	16	10	10	-	54	3.02	2.72	1.63	1.63	-	4.2	9.0	9.4	950	2740	2900	4.80	13.11	13.45	90	95	98	6.09		
22	16	10	10	-	58	3.40	2.55	1.53	1.53	-	4.2	9.0	9.4	950	2740	2900	4.80	13.11	13.45	90	95	98	6.11		
24	16	10	10	-	60	3.76	2.38	1.43	1.43	-	4.2	9.0	9.4	950	2740	2900	4.80	13.11	13.45	90	95	98	6.11		
18	18	10	10	-	56	2.92	2.92	1.58	1.58	-	4.2	9.0	9.4	950	2740	2900	4.80	13.11	13.45	90	95	98	6.07		
22	18	10	10	-	60	3.29	2.74	1.48	1.48	-	4.2	9.0	9.4	950	2740	2900	4.80	13.11	13.45	90	95	98	6.09		
24	18	10	10	-	62	3.65	2.57	1.39	1.39	-	4.2	9.0	9.4	950	2740	2900	4.80	13.11	13.45	90	95	98	6.09		
13	13	13	10	-	49	2.41	2.41	2.41	1.76	-	4.2	9.0	9.4	950	2740	2900	4.80	13.11	13.45	90	95	98	6.12		
16	13	13	10	-	52	2.77	2.28	2.28	1.66	-	4.2	9.0	9.4	950	2740	2900	4.80	13.11	13.45	90	95	98	6.12		
18	13	13	10	-	54	2.98	2.21	2.21	1.61	-	4.2	9.0	9.4	950	2740	2900	4.80	13.11	13.45	90	95	98	6.09		
22	13	13	10	-	58	3.35	2.07	2.07	1.51	-	4.2	9.0	9.4	950	2740	2900	4.80	13.11	13.45	90	95	98	6.11		
24	13	13	10	-	60	3.72	1.94	1.94	1.41	-	4.2	9.0	9.4	950	2740	2900	4.80	13.11	13.45	90	95	98	6.11		

Operation mode : Cooling

Power supply voltage : 220V

Operating status	Indoor unit					ΣkBTU	Unit capacity (kW)					Cooling capacity (kW)			Power consumption (W)			Operating current (A)			Power factor (%)			SEER
	A	B	C	D	E		A	B	C	D	E	Min	Rate	Max	Min	Rate	Max	Min	Rate	Max	Min	Rate	Max	
5 units	05	05	05	05	05	25	1.50	1.50	1.50	1.50	1.50	3.7	7.5	8.5	950	2300	2510	4.80	11.00	11.64	90	95	98	5.91
	07	05	05	05	05	27	2.00	1.50	1.50	1.50	1.50	3.7	8.0	8.7	950	2400	2580	4.80	11.48	11.97	90	95	98	6.08
	10	05	05	05	05	30	2.70	1.50	1.50	1.50	1.50	3.7	8.7	9.1	950	2600	2740	4.80	12.44	12.71	90	95	98	6.17
	13	05	05	05	05	33	3.70	1.50	1.50	1.50	1.50	3.7	9.7	10.7	950	2850	3380	4.80	13.64	15.68	90	95	98	6.35
	16	05	05	05	05	36	4.24	1.41	1.41	1.41	1.41	3.7	9.9	11.0	950	2946	3670	4.80	14.10	17.02	90	95	98	6.29
	18	05	05	05	05	38	4.50	1.35	1.35	1.35	1.35	3.7	9.9	11.0	950	2946	3670	4.80	14.10	17.02	90	95	98	6.27
	07	07	05	05	05	29	2.00	2.00	1.50	1.50	1.50	3.7	8.5	9.5	950	2600	2890	4.80	12.44	13.40	90	95	98	6.03
	10	07	05	05	05	32	2.70	2.00	1.50	1.50	1.50	3.7	9.2	10.2	950	2800	3170	4.80	13.40	14.70	90	95	98	6.12
	13	07	05	05	05	35	3.59	1.94	1.46	1.46	1.46	3.7	9.9	11.0	950	2946	3670	4.80	14.10	17.02	90	95	98	6.29
	16	07	05	05	05	38	4.05	1.80	1.35	1.35	1.35	3.7	9.9	11.0	950	2946	3670	4.80	14.10	17.02	90	95	98	6.29
	18	07	05	05	05	40	4.30	1.72	1.29	1.29	1.29	3.7	9.9	11.0	950	2946	3670	4.80	14.10	17.02	90	95	98	6.27
	10	10	05	05	05	35	2.70	2.70	1.50	1.50	1.50	3.7	9.9	10.9	950	2946	3470	4.80	14.10	16.09	90	95	98	6.29
	13	10	05	05	05	38	3.36	2.45	1.36	1.36	1.36	3.7	9.9	11.0	950	2946	3670	4.80	14.10	17.02	90	95	98	6.29
	16	10	05	05	05	41	3.81	2.28	1.27	1.27	1.27	3.7	9.9	11.0	950	2946	3670	4.80	14.10	17.02	90	95	98	6.29
	18	10	05	05	05	43	4.06	2.19	1.22	1.22	1.22	3.7	9.9	11.0	950	2946	3670	4.80	14.10	17.02	90	95	98	6.27
	13	13	05	05	05	41	3.08	3.08	1.25	1.25	1.25	3.7	9.9	11.0	950	2946	3670	4.80	14.10	17.02	90	95	98	6.29
	16	13	05	05	05	44	3.51	2.88	1.17	1.17	1.17	3.7	9.9	11.0	950	2946	3670	4.80	14.10	17.02	90	95	98	6.29
	18	13	05	05	05	46	3.75	2.78	1.13	1.13	1.13	3.7	9.9	11.0	950	2946	3670	4.80	14.10	17.02	90	95	98	6.27
	16	16	05	05	05	47	3.30	3.30	1.10	1.10	1.10	3.7	9.9	11.0	950	2946	3670	4.80	14.10	17.02	90	95	98	6.29
	18	16	05	05	05	49	3.54	3.18	1.06	1.06	1.06	3.7	9.9	11.0	950	2946	3670	4.80	14.10	17.02	90	95	98	6.27
	18	18	05	05	05	51	3.41	3.41	1.02	1.02	1.02	3.7	9.9	11.0	950	2946	3670	4.80	14.10	17.02	90	95	98	6.25
	07	07	07	05	05	31	2.00	2.00	2.00	1.50	1.50	3.7	9.0	10.0	950	2750	3090	4.80	13.16	14.33	90	95	98	6.08
	10	07	07	05	05	34	2.70	2.00	2.00	1.50	1.50	3.7	9.7	10.7	950	2850	3380	4.80	13.64	15.68	90	95	98	6.35
	13	07	07	05	05	37	3.42	1.85	1.85	1.39	1.39	3.7	9.9	11.0	950	2946	3670	4.80	14.10	17.02	90	95	98	6.29
	16	07	07	05	05	40	3.87	1.72	1.72	1.29	1.29	3.7	9.9	11.0	950	2946	3670	4.80	14.10	17.02	90	95	98	6.29
	18	07	07	05	05	42	4.13	1.65	1.65	1.24	1.24	3.7	9.9	11.0	950	2946	3670	4.80	14.10	17.02	90	95	98	6.27
	10	10	07	05	05	37	2.57	2.57	1.90	1.43	1.43	3.7	9.9	11.0	950	2946	2800	4.80	14.10	12.99	90	95	98	6.29
	13	10	07	05	05	40	3.21	2.34	1.74	1.30	1.30	3.7	9.9	11.0	950	2946	3670	4.80	14.10	17.02	90	95	98	6.29
	16	10	07	05	05	43	3.65	2.19	1.62	1.22	1.22	3.7	9.9	11.0	950	2946	3670	4.80	14.10	17.02	90	95	98	6.29
	18	10	07	05	05	45	3.90	2.10	1.56	1.17	1.17	3.7	9.9	11.0	950	2946	3670	4.80	14.10	17.02	90	95	98	6.27
	13	13	07	05	05	43	2.95	2.95	1.60	1.20	1.20	3.7	9.9	11.0	950	2946	3670	4.80	14.10	17.02	90	95	98	6.29
	16	13	07	05	05	46	3.38	2.78	1.50	1.13	1.13	3.7	9.9	11.0	950	2946	3670	4.80	14.10	17.02	90	95	98	6.29
18	13	07	05	05	48	3.61	2.67	1.45	1.08	1.08	3.7	9.9	11.0	950	2946	3670	4.80	14.10	17.02	90	95	98	6.27	
16	16	07	05	05	49	3.18	3.18	1.41	1.06	1.06	3.7	9.9	11.0	950	2946	3670	4.80	14.10	17.02	90	95	98	6.29	
18	16	07	05	05	51	3.41	3.07	1.37	1.02	1.02	3.7	9.9	11.0	950	2946	3670	4.80	14.10	17.02	90	95	98	6.27	
10	10	10	05	05	40	2.41	2.41	2.41	1.34	1.34	3.7	9.9	11.0	950	2946	3670	4.80	14.10	17.02	90	95	98	6.29	
13	10	10	05	05	43	3.03	2.21	2.21	1.23	1.23	3.7	9.9	11.0	950	2946	3670	4.80	14.10	17.02	90	95	98	6.29	
16	10	10	05	05	46	3.45	2.07	2.07	1.15	1.15	3.7	9.9	11.0	950	2946	3670	4.80	14.10	17.02	90	95	98	6.29	
18	10	10	05	05	48	3.69	1.99	1.99	1.11	1.11	3.7	9.9	11.0	950	2946	3670	4.80	14.10	17.02	90	95	98	6.27	
13	13	10	05	05	46	2.80	2.80	2.04	1.13	1.13	3.7	9.9	11.0	950	2946	3670	4.80	14.10	17.02	90	95	98	6.29	
07	07	07	07	05	33	2.00	2.00	2.00	2.00	1.50	3.7	9.5	10.5	950	2800	3300	4.80	13.40	15.31	90	95	98	6.32	
10	07	07	07	05	36	2.62	1.94	1.94	1.94	1.46	3.7	9.9	11.0	950	2946	3670	4.80	14.10	17.02	90	95	98	6.29	
13	07	07	07	05	39	3.27	1.77	1.77	1.77	1.33	3.7	9.9	11.0	950	2946	3670	4.80	14.10	17.02	90	95	98	6.29	
16	07	07	07	05	42	3.71	1.65	1.65	1.65	1.24	3.7	9.9	11.0	950	2946	3670	4.80	14.10	17.02	90	95	98	6.29	
18	07	07	07	05	44	3.96	1.58	1.58	1.58	1.19	3.7	9.9	11.0	950	2946	3670	4.80	14.10	17.02	90	95	98	6.27	
10	10	07	07	05	39	2.45	2.45	1.82	1.82	1.36	3.7	9.9	11.0	950	2946	3670	4.80	14.10	17.02	90	95	98	6.29	
13	10	07	07	05	42	3.08	2.25	1.66	1.66	1.25	3.7	9.9	11.0	950	2946	3670	4.80	14.10	17.02	90	95	98	6.29	
16	10	07	07	05	45	3.51	2.10	1.56	1.56	1.17	3.7	9.9	11.0	950	2946	3670	4.80	14.10	17.02	90	95	98	6.29	
18	10	07	07	05	47	3.75	2.03	1.50	1.50	1.13	3.7	9.9	11.0	950	2946	3670	4.80	14.10	17.02	90	95	98	6.27	
13	13	07	07	05	45	2.84	2.84	1.53	1.53	1.15	3.7	9.9	11.0	950	2946	3670	4.80	14.10	17.02	90	95	98	6.29	
16	13	07	07	05	48	3.25	2.67	1.45	1.45	1.08	3.7	9.9	11.0	950	2946	3670	4.80	14.10	17.02	90	95	98	6.29	
10	10	10	07	05	42	2.30	2.30	2.30	1.71	1.28	3.7	9.9	11.0	950	2946	3670	4.80	14.10	17.02	90	95	98	6.29	
13	10	10	07	05	45	2.91	2.12	2.12	1.57	1.18	3.7	9.9	11.0	950	2946	3670	4.80	14.10	17.02	90	95	98	6.29	
16	10	10	07	05	48	3.32	1.99	1.99	1.48	1.11	3.7	9.9	11.0	950	2946	3670	4.80	14.10	17.02	90	95	98	6.29	
10	10	10	10	05	45	2.17	2.17	2.17	2.17	1.21	3.7	9.9	11.0	950	2946	3670	4.80	14.10	17.02	90	95	98	6.29	
07	07	07	07	07	35	1.96	1.96	1.96	1.96	1.96	3.7	9.8	10.8	950	2917	3630	4.80	13.96	16.84	90	95	98	6.28	
10	07	07	07	07	38	2.50	1.85	1.85	1.85	1.85	3.7	9.9	10.9	950	2946	3670	4.80	14.10	17.02	90	95	98	6.29	
13	07	07	07	07	41	3.13	1.69	1.69	1.69	1.69	3.7	9.9	10.9	950	2946	3670	4.80	14.10	17.02	90	95	98	6.29	
16	07	07	07	07	44	3.56	1.58	1.58	1.58	1.58	3.7	9.9	10.9	950	2946	3670	4.80	14.10	17.02	90	95			

Operation mode : Cooling

Power supply voltage : 220V

Operating status	Indoor unit						Unit capacity (kW)					Cooling capacity (kW)			Power consumption (W)			Operating current (A)			Power factor (%)			SEER
	A	B	C	D	E	ΣkBTU	A	B	C	D	E	Min	Rate	Max	Min	Rate	Max	Min	Rate	Max	Min	Rate	Max	
5 units	13	13	13	10	07	56	2.32	2.32	2.32	1.69	1.25	3.7	9.9	10.9	950	2946	3670	4.80	14.10	17.02	90	95	98	6.29
	16	13	13	10	07	59	2.68	2.21	2.21	1.61	1.19	3.7	9.9	10.9	950	2946	3670	4.80	14.10	17.02	90	95	98	6.29
	18	13	13	10	07	61	2.89	2.14	2.14	1.56	1.16	3.7	9.9	10.9	950	2946	3670	4.80	14.10	17.02	90	95	98	6.27
	16	16	13	10	07	62	2.56	2.56	2.11	1.54	1.14	3.7	9.9	10.9	950	2946	3670	4.80	14.10	17.02	90	95	98	6.29
	13	13	13	13	07	59	2.18	2.18	2.18	2.18	1.18	3.7	9.9	10.9	950	2946	3670	4.80	14.10	17.02	90	95	98	6.29
	16	13	13	13	07	62	2.53	2.08	2.08	2.08	1.13	3.7	9.9	10.9	950	2946	3670	4.80	14.10	17.02	90	95	98	6.29
	18	13	13	13	07	64	2.73	2.02	2.02	2.02	1.09	3.7	9.9	10.9	950	2946	3670	4.80	14.10	17.02	90	95	98	6.27
	16	16	13	13	07	65	2.42	2.42	1.99	1.99	1.08	3.7	9.9	10.9	950	2946	3670	4.80	14.10	17.02	90	95	98	6.29
	10	10	10	10	10	50	1.98	1.98	1.98	1.98	1.98	3.7	9.9	10.9	950	2946	3670	4.80	14.10	17.02	90	95	98	6.29
	13	10	10	10	10	53	2.53	1.84	1.84	1.84	1.84	3.7	9.9	10.9	950	2946	3670	4.80	14.10	17.02	90	95	98	6.29
	16	10	10	10	10	56	2.91	1.75	1.75	1.75	1.75	3.7	9.9	10.9	950	2946	3670	4.80	14.10	17.02	90	95	98	6.29
	18	10	10	10	10	58	3.13	1.69	1.69	1.69	1.69	3.7	9.9	10.9	950	2946	3670	4.80	14.10	17.02	90	95	98	6.27
	13	13	10	10	10	56	2.36	2.36	1.72	1.72	1.72	3.7	9.9	10.9	950	2946	3670	4.80	14.10	17.02	90	95	98	6.29
	16	13	10	10	10	59	2.73	2.25	1.64	1.64	1.64	3.7	9.9	10.9	950	2946	3670	4.80	14.10	17.02	90	95	98	6.29
	18	13	10	10	10	61	2.95	2.18	1.59	1.59	1.59	3.7	9.9	10.9	950	2946	3670	4.80	14.10	17.02	90	95	98	6.27
	16	16	10	10	10	62	2.61	2.61	1.56	1.56	1.56	3.7	9.9	10.9	950	2946	3670	4.80	14.10	17.02	90	95	98	6.29
	13	13	13	10	10	59	2.22	2.22	2.22	1.62	1.62	3.7	9.9	10.9	950	2946	3670	4.80	14.10	17.02	90	95	98	6.29
	16	13	13	10	10	62	2.58	2.12	2.12	1.55	1.55	3.7	9.9	10.9	950	2946	3670	4.80	14.10	17.02	90	95	98	6.29
	18	13	13	10	10	64	2.78	2.06	2.06	1.50	1.50	3.7	9.9	10.9	950	2946	3670	4.80	14.10	17.02	90	95	98	6.27
	16	16	13	10	10	65	2.49	2.49	2.04	1.49	1.49	3.7	10.0	11.0	950	2980	3700	4.80	14.26	17.16	90	95	98	6.31
	13	13	13	13	10	62	2.09	2.09	2.09	2.09	1.53	3.7	9.9	10.9	950	2946	3670	4.80	14.10	17.02	90	95	98	6.29
	16	13	13	13	10	65	2.46	2.02	2.02	2.02	1.48	3.7	10.0	11.0	950	2980	3700	4.80	14.26	17.16	90	95	98	6.31
	18	13	13	13	10	67	2.66	1.97	1.97	1.97	1.44	3.7	10.0	11.0	950	2980	3700	4.80	14.26	17.16	90	95	98	6.28
	16	16	13	13	10	68	2.36	2.36	1.94	1.94	1.41	3.7	10.0	11.0	950	2980	3700	4.80	14.26	17.16	90	95	98	6.31
	13	13	13	13	13	65	2.00	2.00	2.00	2.00	2.00	3.7	10.0	11.0	950	2980	3700	4.80	14.26	17.16	90	95	98	6.31
	16	13	13	13	13	68	2.33	1.92	1.92	1.92	1.92	3.7	10.0	11.0	950	2980	3700	4.80	14.26	17.16	90	95	98	6.31
	22	*05	*05	*05	*05	42	4.95	1.24	1.24	1.24	1.24	3.7	9.9	11.0	950	2946	3670	4.80	14.10	17.02	90	95	98	6.29
	24	*05	*05	*05	*05	44	5.37	1.13	1.13	1.13	1.13	3.7	9.9	11.0	950	2946	3670	4.80	14.10	17.02	90	95	98	6.29
	22	*07	*05	*05	*05	44	4.75	1.58	1.19	1.19	1.19	3.7	9.9	11.0	950	2946	3670	4.80	14.10	17.02	90	95	98	6.29
	24	*07	*05	*05	*05	46	5.17	1.46	1.09	1.09	1.09	3.7	9.9	11.0	950	2946	3670	4.80	14.10	17.02	90	95	98	6.29
	22	*10	*05	*05	*05	47	4.50	2.03	1.13	1.13	1.13	3.7	9.9	11.0	950	2946	3670	4.80	14.10	17.02	90	95	98	6.29
	24	*10	*05	*05	*05	49	4.92	1.87	1.04	1.04	1.04	3.7	9.9	11.0	950	2946	3670	4.80	14.10	17.02	90	95	98	6.29
	22	*13	*05	*05	*05	50	4.18	2.58	1.05	1.05	1.05	3.7	9.9	11.0	950	2946	3670	4.80	14.10	17.02	90	95	98	6.29
	24	*13	*05	*05	*05	52	4.59	2.39	0.97	0.97	0.97	3.7	9.9	11.0	950	2946	3670	4.80	14.10	17.02	90	95	98	6.29
	22	*07	*07	*05	*05	46	4.57	1.52	1.52	1.14	1.14	3.7	9.9	11.0	950	2946	3670	4.80	14.10	17.02	90	95	98	6.29
	24	*07	*07	*05	*05	48	4.99	1.40	1.40	1.05	1.05	3.7	9.9	11.0	950	2946	3670	4.80	14.10	17.02	90	95	98	6.29
	22	*10	*07	*05	*05	49	4.34	1.95	1.45	1.08	1.08	3.7	9.9	11.0	950	2946	3670	4.80	14.10	17.02	90	95	98	6.29
	24	*10	*07	*05	*05	51	4.75	1.81	1.34	1.00	1.00	3.7	9.9	11.0	950	2946	3670	4.80	14.10	17.02	90	95	98	6.29
	22	*13	*07	*05	*05	52	4.04	2.49	1.35	1.01	1.01	3.7	9.9	11.0	950	2946	3670	4.80	14.10	17.02	90	95	98	6.29
	24	*13	*07	*05	*05	54	4.45	2.32	1.25	0.94	0.94	3.7	9.9	11.0	950	2946	3670	4.80	14.10	17.02	90	95	98	6.29
	22	*10	*10	*05	*05	52	4.13	1.86	1.86	1.03	1.03	3.7	9.9	11.0	950	2946	3670	4.80	14.10	17.02	90	95	98	6.29
	24	*10	*10	*05	*05	54	4.53	1.72	1.72	0.96	0.96	3.7	9.9	11.0	950	2946	3670	4.80	14.10	17.02	90	95	98	6.29
	22	*13	*10	*05	*05	55	3.86	2.38	1.74	0.96	0.96	3.7	9.9	11.0	950	2946	3670	4.80	14.10	17.02	90	95	98	6.29
	24	*13	*10	*05	*05	57	4.26	2.22	1.62	0.90	0.90	3.7	9.9	11.0	950	2946	3670	4.80	14.10	17.02	90	95	98	6.29
	22	*13	*13	*05	*05	58	3.62	2.23	2.23	0.91	0.91	3.7	9.9	11.0	950	2946	3670	4.80	14.10	17.02	90	95	98	6.29
	24	*13	*13	*05	*05	60	4.02	2.09	2.09	0.85	0.85	3.7	9.9	11.0	950	2946	3670	4.80	14.10	17.02	90	95	98	6.29
	22	*07	*07	*07	*05	48	4.40	1.47	1.47	1.47	1.10	3.7	9.9	11.0	950	2946	3670	4.80	14.10	17.02	90	95	98	6.29
	24	*07	*07	*07	*05	50	4.81	1.36	1.36	1.36	1.02	3.7	9.9	11.0	950	2946	3670	4.80	14.10	17.02	90	95	98	6.29
	22	*10	*07	*07	*05	51	4.18	1.88	1.39	1.39	1.05	3.7	9.9	11.0	950	2946	3670	4.80	14.10	17.02	90	95	98	6.29
	24	*10	*07	*07	*05	53	4.59	1.75	1.29	1.29	0.97	3.7	9.9	11.0	950	2946	3670	4.80	14.10	17.02	90	95	98	6.29
	22	*13	*07	*07	*05	54	3.91	2.41	1.30	1.30	0.98	3.7	9.9	11.0	950	2946	3670	4.80	14.10	17.02	90	95	98	6.29
	24	*13	*07	*07	*05	56	4.31	2.25	1.21	1.21	0.91	3.7	9.9	11.0	950	2946	3670	4.80	14.10	17.02	90	95	98	6.29
	22	*10	*10	*07	*05	54	3.99	1.79	1.79	1.33	1.00	3.7	9.9	11.0	950	2946	3670	4.80	14.10	17.02	90	95	98	6.29
	24	*10	*10	*07	*05	56	4.39	1.67	1.67	1.24	0.93	3.7	9.9	11.0	950	2946	3670	4.80	14.10	17.02	90	95	98	6.29
	22	*13	*10	*07	*05	57	3.74	2.30	1.68	1.25	0.93	3.7	9.9	11.0	950	2946	3670	4.80	14.10	17.02	90	95	98	6.29
	24	*13	*10	*07	*05	59	4.13	2.15	1.57	1.16	0.87	3.7	9.9	11.0	950	2946	3670	4.80	14.10	17.02	90	95	98	6.29
	22	*13	*13	*07	*05	60	3.51	2.17	2.17	1.17	0.88	3.7	9.9	11.0	950	2946	3670	4.80	14.10	17.02	90	95	98	6.29
	24	*13	*13	*07	*05	62	3.91	2.04	2.04	1.10	0.83	3.7	9.9	11.0	950	2946	3670	4.80	14.10	17.02	90	95	98	6.29
	22	*10	*10	*10	*05	57	3.81	1.71	1.71	1.71	0.95	3.7	9.9	11.0	950	2946	3670	4.80	14.10	17.02	90	95		

Operation mode : Cooling

Power supply voltage : 230V

Operating status	Indoor unit					Unit capacity (kW)					Cooling capacity (kW)			Power consumption (W)			Operating current (A)			Power factor (%)			SEER	
	A	B	C	D	E	ΣkBTU	A	B	C	D	E	Min	Rate	Max	Min	Rate	Max	Min	Rate	Max	Min	Rate		Max
1 unit	05	-	-	-	-	5	1.50	-	-	-	-	1.4	1.5	2.0	630	640	650	3.60	3.61	3.32	76	77	85	-
	07	-	-	-	-	7	2.00	-	-	-	-	1.4	2.0	2.5	640	650	700	3.66	3.67	3.58	76	77	85	-
	10	-	-	-	-	10	2.70	-	-	-	-	1.4	2.7	3.2	640	750	950	3.66	4.23	4.44	76	77	93	-
	13	-	-	-	-	13	3.70	-	-	-	-	1.4	3.7	4.4	640	1200	1520	3.52	5.93	6.88	79	88	96	-
	16	-	-	-	-	16	4.50	-	-	-	-	1.4	4.5	5.0	640	1650	2000	3.52	7.63	8.87	79	94	98	-
	18	-	-	-	-	18	5.00	-	-	-	-	1.4	5.0	5.2	640	1950	2100	3.52	8.92	9.32	79	95	98	-
	22	-	-	-	-	22	6.00	-	-	-	-	2.4	6.0	6.8	660	2020	2500	3.63	9.15	11.09	79	96	98	-
24	-	-	-	-	24	7.10	-	-	-	-	2.4	7.1	7.2	660	2390	2960	3.63	10.82	13.13	79	96	98	-	
2 units	05	05	-	-	-	10	1.50	1.50	-	-	-	2.5	3.0	4.0	640	1210	1480	3.48	5.54	6.57	80	95	98	4.82
	07	05	-	-	-	12	2.00	1.50	-	-	-	2.5	3.5	4.5	640	1310	1625	3.48	6.00	7.21	80	95	98	5.05
	10	05	-	-	-	15	2.70	1.50	-	-	-	2.5	4.2	5.2	640	1440	1810	3.48	6.59	8.03	80	95	98	5.32
	13	05	-	-	-	18	3.56	1.44	-	-	-	2.5	5.0	6.0	640	1620	1980	3.48	7.41	8.78	80	95	98	5.38
	16	05	-	-	-	21	4.35	1.45	-	-	-	2.5	5.8	6.5	640	1810	2160	3.48	8.28	9.58	80	95	98	5.55
	18	05	-	-	-	23	4.54	1.36	-	-	-	2.5	5.9	6.6	640	1810	2220	3.48	8.28	9.85	80	95	98	5.51
	22	05	-	-	-	27	5.04	1.26	-	-	-	2.5	6.3	6.9	640	2040	2400	3.48	9.34	10.65	80	95	98	5.54
	24	05	-	-	-	29	5.20	1.10	-	-	-	2.5	6.3	6.9	640	2040	2400	3.48	9.34	10.65	80	95	98	5.31
	07	07	-	-	-	14	2.00	2.00	-	-	-	2.5	4.0	5.0	640	1400	1770	3.48	6.41	7.95	80	95	98	5.25
	10	07	-	-	-	17	2.70	2.00	-	-	-	2.5	4.7	5.7	640	1530	1910	3.48	7.00	8.47	80	95	98	5.48
	13	07	-	-	-	20	3.70	2.00	-	-	-	2.6	5.7	6.5	660	1810	2130	3.59	8.28	9.45	80	95	98	5.54
	16	07	-	-	-	23	4.08	1.82	-	-	-	2.7	5.9	6.6	660	1810	2220	3.59	8.28	9.85	80	95	98	5.57
	18	07	-	-	-	25	4.50	1.80	-	-	-	2.9	6.3	6.9	670	2040	2400	3.64	9.34	10.65	80	95	98	5.52
	22	07	-	-	-	29	4.73	1.58	-	-	-	2.9	6.3	6.9	670	2040	2400	3.64	9.34	10.65	80	95	98	5.55
	24	07	-	-	-	31	5.31	1.49	-	-	-	3.0	6.8	7.2	690	2320	2570	3.75	10.62	11.40	80	95	98	5.34
	10	10	-	-	-	20	2.70	2.70	-	-	-	2.5	5.4	6.3	640	1530	2040	3.48	7.00	9.05	80	95	98	5.82
	13	10	-	-	-	23	3.41	2.49	-	-	-	2.7	5.9	6.6	660	1810	2220	3.59	8.28	9.85	80	95	98	5.57
	16	10	-	-	-	26	3.94	2.36	-	-	-	2.9	6.3	6.9	670	2040	2400	3.64	9.34	10.65	80	95	98	5.55
	18	10	-	-	-	28	4.09	2.21	-	-	-	2.9	6.3	6.9	670	2040	2400	3.64	9.34	10.65	80	95	98	5.52
	22	10	-	-	-	32	4.69	2.11	-	-	-	3.0	6.8	7.2	690	2320	2570	3.75	10.62	11.40	80	95	98	5.35
	24	10	-	-	-	34	5.22	1.98	-	-	-	3.2	7.2	7.5	700	2550	2750	3.80	11.67	12.20	80	95	98	5.56
	13	13	-	-	-	26	3.15	3.15	-	-	-	2.9	6.3	6.9	670	2040	2400	3.64	9.34	10.65	80	95	98	5.55
	16	13	-	-	-	29	3.73	3.07	-	-	-	3.0	6.8	7.2	690	2320	2570	3.75	10.62	11.40	80	95	98	5.35
	18	13	-	-	-	31	3.91	2.89	-	-	-	3.0	6.8	7.2	690	2320	2570	3.75	10.62	11.40	80	95	98	5.33
	22	13	-	-	-	35	4.45	2.75	-	-	-	3.2	7.2	7.5	700	2550	2750	3.80	11.67	12.20	80	95	98	5.57
	24	13	-	-	-	37	4.73	2.47	-	-	-	3.2	7.2	7.5	700	2550	2750	3.80	11.67	12.20	80	95	98	5.56
	16	16	-	-	-	32	3.60	3.60	-	-	-	3.2	7.2	7.5	700	2550	2750	3.80	11.67	12.20	80	95	98	5.57
	18	16	-	-	-	34	3.79	3.41	-	-	-	3.2	7.2	7.5	700	2550	2750	3.80	11.67	12.20	80	95	98	5.55
	22	16	-	-	-	38	4.17	3.13	-	-	-	3.2	7.3	7.5	700	2550	2750	3.80	11.67	12.20	80	95	98	5.59
	24	16	-	-	-	40	4.47	2.83	-	-	-	3.2	7.3	7.5	700	2550	2750	3.80	11.67	12.20	80	95	98	5.58
	18	18	-	-	-	36	3.60	3.60	-	-	-	3.2	7.2	7.5	700	2550	2750	3.80	11.67	12.20	80	95	98	5.52
	22	18	-	-	-	40	4.04	3.36	-	-	-	3.2	7.4	7.5	700	2550	2750	3.80	11.67	12.20	80	95	98	5.58
24	18	-	-	-	42	4.34	3.06	-	-	-	3.2	7.4	7.5	700	2550	2750	3.80	11.67	12.20	80	95	98	5.58	
22	22	-	-	-	44	4.00	4.00	-	-	-	3.2	8.0	8.3	700	2570	2770	3.80	11.64	12.29	80	96	98	5.97	
24	22	-	-	-	46	4.34	3.66	-	-	-	3.2	8.0	8.3	700	2570	2770	3.80	11.64	12.29	80	96	98	5.96	
24	24	-	-	-	48	4.05	4.05	-	-	-	3.2	8.1	8.4	700	2600	2800	3.80	11.78	12.42	80	96	98	5.97	

Specification values are those under the condition as follows ;

Cooling : Capacity test condition, inside : 27 °C (Db) / 19 °C (Wb), outside : 35 °C (Db) / 24 °C (Wb)

Piping length : 5 m. per indoor unit.

Operation mode : Cooling

Power supply voltage : 230V

Operating status	Indoor unit					Unit capacity (kW)					Cooling capacity (kW)			Power consumption (W)			Operating current (A)			Power factor (%)			SEER	
	A	B	C	D	E	ΣkBTU	A	B	C	D	E	Min	Rate	Max	Min	Rate	Max	Min	Rate	Max	Min	Rate		Max
3 units	05	05	05	-	-	15	1.50	1.50	1.50	-	-	3.8	4.5	5.5	950	1840	1910	4.59	8.42	8.47	90	95	98	5.44
	07	05	05	-	-	17	2.00	1.50	1.50	-	-	3.8	5.0	6.0	950	1930	2060	4.59	8.83	9.14	90	95	98	5.51
	10	05	05	-	-	20	2.70	1.50	1.50	-	-	3.8	5.7	6.5	950	2040	2210	4.59	9.34	9.80	90	95	98	5.72
	13	05	05	-	-	23	3.59	1.46	1.46	-	-	3.8	6.5	7.2	950	2300	2410	4.59	10.53	10.69	90	95	98	5.80
	16	05	05	-	-	26	4.32	1.44	1.44	-	-	3.8	7.2	8.2	950	2400	2660	4.59	10.98	11.80	90	95	98	5.92
	18	05	05	-	-	28	4.75	1.43	1.43	-	-	3.8	7.6	8.3	950	2410	2690	4.59	11.03	11.93	90	95	98	5.97
	22	05	05	-	-	32	5.13	1.28	1.28	-	-	3.8	7.7	8.5	950	2410	2720	4.59	11.03	12.07	90	95	98	6.00
	24	05	05	-	-	34	5.27	1.11	1.11	-	-	3.8	7.5	8.5	950	2410	2720	4.59	11.03	12.07	90	95	98	5.95
	07	07	05	-	-	19	2.00	2.00	1.50	-	-	3.8	5.5	6.3	950	2010	2170	4.59	9.20	9.63	90	95	98	5.66
	10	07	05	-	-	22	2.70	2.00	1.50	-	-	3.8	6.2	6.9	950	2120	2330	4.59	9.70	10.34	90	95	98	5.77
	13	07	05	-	-	25	3.55	1.92	1.44	-	-	3.8	6.9	7.8	950	2400	2230	4.59	10.98	9.89	90	95	98	5.88
	16	07	05	-	-	28	4.28	1.90	1.43	-	-	3.8	7.6	8.3	950	2410	2690	4.59	11.03	11.93	90	95	98	6.00
	18	07	05	-	-	30	4.53	1.81	1.36	-	-	3.8	7.7	8.5	950	2410	2720	4.59	11.03	12.07	90	95	98	5.99
	22	07	05	-	-	34	4.86	1.62	1.22	-	-	3.8	7.7	8.5	950	2410	2720	4.59	11.03	12.07	90	95	98	6.00
	24	07	05	-	-	36	5.22	1.47	1.10	-	-	3.8	7.8	8.6	950	2430	2760	4.59	11.12	12.24	90	95	98	6.02
	10	10	05	-	-	25	2.70	2.70	1.50	-	-	3.8	6.9	7.8	950	2400	2230	4.59	10.98	9.89	90	95	98	5.88
	13	10	05	-	-	28	3.56	2.60	1.44	-	-	3.8	7.6	8.3	950	2410	2690	4.59	11.03	11.93	90	95	98	6.00
	16	10	05	-	-	31	3.98	2.39	1.33	-	-	3.8	7.7	8.5	950	2410	2720	4.59	11.03	12.07	90	95	98	6.02
	18	10	05	-	-	33	4.18	2.26	1.26	-	-	3.8	7.7	8.5	950	2410	2720	4.59	11.03	12.07	90	95	98	5.99
	22	10	05	-	-	37	4.59	2.06	1.15	-	-	3.8	7.8	8.6	950	2430	2760	4.59	11.12	12.24	90	95	98	6.02
	24	10	05	-	-	39	4.90	1.86	1.04	-	-	3.8	7.8	8.6	950	2430	2760	4.59	11.12	12.24	90	95	98	6.02
	13	13	05	-	-	31	3.20	3.20	1.30	-	-	3.8	7.7	8.5	950	2410	2720	4.59	11.03	12.07	90	95	98	6.02
	16	13	05	-	-	34	3.48	2.86	1.16	-	-	3.8	7.5	8.5	950	2410	2720	4.59	11.03	12.07	90	95	98	5.98
	18	13	05	-	-	36	3.82	2.83	1.15	-	-	3.8	7.8	8.6	950	2430	2760	4.59	11.12	12.24	90	95	98	6.00
	22	13	05	-	-	40	4.18	2.58	1.04	-	-	3.8	7.8	8.6	950	2430	2760	4.59	11.12	12.24	90	95	98	6.02
	24	13	05	-	-	42	4.50	2.35	0.95	-	-	3.8	7.8	8.6	950	2430	2760	4.59	11.12	12.24	90	95	98	6.02
	16	16	05	-	-	37	3.34	3.34	1.11	-	-	3.8	7.8	8.6	950	2430	2760	4.59	11.12	12.24	90	95	98	6.02
	18	16	05	-	-	39	3.55	3.19	1.06	-	-	3.8	7.8	8.6	950	2430	2760	4.59	11.12	12.24	90	95	98	6.00
	22	16	05	-	-	43	3.95	2.96	0.99	-	-	3.8	7.9	8.7	950	2440	2780	4.59	11.17	12.33	90	95	98	6.04
	24	16	05	-	-	45	4.28	2.71	0.90	-	-	3.8	7.9	8.7	950	2440	2780	4.59	11.17	12.33	90	95	98	6.04
	18	18	05	-	-	41	3.39	3.39	1.02	-	-	3.8	7.8	8.6	950	2430	2760	4.59	11.12	12.24	90	95	98	5.97
	22	18	05	-	-	45	3.79	3.16	0.95	-	-	3.8	7.9	8.7	950	2440	2780	4.59	11.17	12.33	90	95	98	6.02
	24	18	05	-	-	47	4.12	2.90	0.87	-	-	3.8	7.9	8.7	950	2440	2780	4.59	11.17	12.33	90	95	98	6.01
	22	22	05	-	-	49	3.51	3.51	0.88	-	-	3.8	7.9	8.7	950	2440	2780	4.59	11.17	12.33	90	95	98	6.04
	24	22	05	-	-	51	3.89	3.29	0.82	-	-	3.8	8.0	8.8	950	2450	2810	4.59	11.21	12.47	90	95	98	6.12
	24	24	05	-	-	53	3.62	3.62	0.76	-	-	3.8	8.0	8.9	950	2450	2830	4.59	11.21	12.56	90	95	98	6.12
	07	07	07	-	-	21	2.00	2.00	2.00	-	-	3.8	6.0	7.5	950	2100	2500	4.59	9.61	11.09	90	95	98	5.72
	10	07	07	-	-	24	2.70	2.00	2.00	-	-	3.8	6.7	8.2	950	2400	2660	4.59	10.98	11.80	90	95	98	5.83
	13	07	07	-	-	27	3.65	1.97	1.97	-	-	3.9	7.6	8.3	960	2410	2690	4.64	11.03	11.93	90	95	98	5.84
	16	07	07	-	-	30	4.08	1.81	1.81	-	-	4.0	7.7	8.5	960	2410	2720	4.64	11.03	12.07	90	95	98	5.83
	18	07	07	-	-	32	4.28	1.71	1.71	-	-	4.0	7.7	8.5	960	2410	2720	4.64	11.03	12.07	90	95	98	5.81
	22	07	07	-	-	36	4.68	1.56	1.56	-	-	4.1	7.8	8.6	970	2430	2760	4.69	11.12	12.24	90	95	98	6.04
	24	07	07	-	-	38	4.99	1.41	1.41	-	-	4.1	7.8	8.6	970	2430	2760	4.69	11.12	12.24	90	95	98	6.03
	10	10	07	-	-	27	2.70	2.70	2.00	-	-	3.8	7.4	8.2	950	2400	2660	4.59	10.98	11.80	90	95	98	5.62
	13	10	07	-	-	30	3.39	2.48	1.83	-	-	3.9	7.7	8.3	960	2410	2690	4.64	11.03	11.93	90	95	98	5.83
	16	10	07	-	-	33	3.77	2.26	1.67	-	-	4.0	7.7	8.5	960	2410	2720	4.64	11.03	12.07	90	95	98	5.83
	18	10	07	-	-	35	3.97	2.14	1.59	-	-	4.0	7.7	8.5	960	2410	2720	4.64	11.03	12.07	90	95	98	5.81
	22	10	07	-	-	39	4.37	1.97	1.46	-	-	4.1	7.8	8.6	970	2430	2760	4.69	11.12	12.24	90	95	98	6.04
24	10	07	-	-	41	4.69	1.78	1.32	-	-	4.1	7.8	8.6	970	2430	2760	4.69	11.12	12.24	90	95	98	6.03	
13	13	07	-	-	33	3.03	3.03	1.64	-	-	4.0	7.7	8.5	960	2410	2720	4.64	11.03	12.07	90	95	98	5.83	
16	13	07	-	-	36	3.44	2.83	1.53	-	-	4.1	7.8	8.6	970	2430	2760	4.69	11.12	12.24	90	95	98	5.83	
18	13	07	-	-	38	3.64	2.70	1.46	-	-	4.1	7.8	8.6	970	2430	2760	4.69	11.12	12.24	90	95	98	5.80	
22	13	07	-	-	42	4.00	2.47	1.33	-	-	4.1	7.8	8.6	970	2430	2760	4.69	11.12	12.24	90	95	98	6.04	
24	13	07	-	-	44	4.38	2.28	1.23	-	-	4.1	7.9	8.7	970	2440	2780	4.69	11.17	12.33	90	95	98	6.04	
16	16	07	-	-	39	3.19	3.19	1.42	-	-	4.1	7.8	8.6	970	2430	2760	4.69	11.12	12.24	90	95	98	5.94	
18	16	07	-	-	41	3.39	3.05	1.36	-	-	4.1	7.8	8.6	970	2430	2760	4.69	11.12	12.24	90	95	98	6.01	
22	16	07	-	-	45	3.79	2.84	1.26	-	-	4.1	7.9	8.7	970	2440	2780	4.69	11.17	12.33	90	95	98	6.04	
24	16	07	-	-	47	4.12	2.61	1.16	-	-	4.1	7.9	8.7	970	2440	2780	4.69	11.17	12.33	90	95	98	6.04	
18	18	07	-	-	43	3.29	3.29	1.32	-	-	4.1	7.9	8.7	970	2440	2780	4.69	11.17	12.33	90	95	98	5.99	
22	18	07	-	-	47	3.65	3.04	1.22	-	-	4.1	7.9	8.7	970	2440	2780	4.69	11.17	12.33	90	95	98	6.02	
24	18	07	-	-	49	3.98	2.80	1.12	-	-	4.1	7.9	8.7	970	2440	2780	4.69	11.17	12.33	90	95	98	6.01	
22	22	07	-	-	51	3.43	3.43	1.14	-	-	4.1	8.0	8.8	970	2440	2810	4.69	11.17	12.47	90	95	98	6.13	
24	22	07	-	-	53	3.81	3.22	1.07	-	-	4.1	8.1	8.9	970	2440	2830	4.69	11.17	12.56	90	95	98	6.05	
24	24																							

Operation mode : Cooling

Power supply voltage : 230V

Operating status	Indoor unit						Unit capacity (kW)					Cooling capacity (kW)			Power consumption (W)			Operating current (A)			Power factor (%)			SEER
	A	B	C	D	E	ΣkBTU	A	B	C	D	E	Min	Rate	Max	Min	Rate	Max	Min	Rate	Max	Min	Rate	Max	Rate
3 units	18	16	13	-	-	47	2.99	2.69	2.21	-	-	4.1	7.9	8.7	970	2440	2830	4.69	11.17	12.56	90	95	98	6.02
	22	16	13	-	-	51	3.38	2.54	2.08	-	-	4.3	8.0	9.0	980	2450	2900	4.73	11.21	12.87	90	95	98	6.06
	24	16	13	-	-	53	3.71	2.35	1.93	-	-	4.3	8.0	9.0	980	2450	2900	4.73	11.21	12.87	90	95	98	6.06
	18	18	13	-	-	49	2.88	2.88	2.13	-	-	4.1	7.9	8.7	970	2440	2830	4.69	11.17	12.56	90	95	98	5.99
	22	18	13	-	-	53	3.31	2.76	2.04	-	-	4.1	8.1	9.0	970	2440	2900	4.69	11.17	12.87	90	95	98	6.04
	24	18	13	-	-	55	3.64	2.56	1.90	-	-	4.1	8.1	9.0	970	2440	2900	4.69	11.17	12.87	90	95	98	6.04
	16	16	16	-	-	48	2.67	2.67	2.67	-	-	4.3	8.0	9.0	980	2450	2900	4.73	11.21	12.87	90	95	98	6.06

Specification values are those under the condition as follows ;

Cooling : Capacity test condition, inside : 27 °C (Db) / 19 °C (Wb), outside : 35 °C (Db) / 24 °C (Wb)

Piping length : 5 m. per indoor unit.

Operation mode : Cooling

Power supply voltage : 230V

Operating status	Indoor unit						Unit capacity (kW)					Cooling capacity (kW)			Power consumption (W)			Operating current (A)			Power factor (%)			SEER Rate
	A	B	C	D	E	ΣkBTU	A	B	C	D	E	Min	Rate	Max	Min	Rate	Max	Min	Rate	Max	Min	Rate	Max	
4 units	05	05	05	05	-	20	1.50	1.50	1.50	1.50	-	4.0	6.0	7.0	930	1840	2270	4.49	8.42	10.07	90	95	98	5.71
	07	05	05	05	-	22	2.00	1.50	1.50	1.50	-	4.0	6.5	7.4	930	2020	2400	4.49	9.24	10.65	90	95	98	5.81
	10	05	05	05	-	25	2.70	1.50	1.50	1.50	-	4.0	7.2	8.0	930	2250	2580	4.49	10.30	11.45	90	95	98	5.89
	13	05	05	05	-	28	3.61	1.46	1.46	1.46	-	4.0	8.0	8.7	930	2500	2800	4.49	11.44	12.42	90	95	98	5.96
	16	05	05	05	-	31	4.20	1.40	1.40	1.40	-	4.0	8.4	8.8	930	2710	2820	4.49	12.40	12.51	90	95	98	6.00
	18	05	05	05	-	33	4.47	1.34	1.34	1.34	-	4.0	8.5	8.9	930	2720	2840	4.49	12.45	12.60	90	95	98	6.00
	22	05	05	05	-	37	4.97	1.24	1.24	1.24	-	4.0	8.7	9.1	930	2720	2850	4.49	12.45	12.64	90	95	98	6.06
	24	05	05	05	-	39	5.39	1.14	1.14	1.14	-	4.0	8.8	9.2	930	2730	2880	4.49	12.49	12.78	90	95	98	6.07
	07	07	05	05	-	24	2.00	2.00	1.50	1.50	-	4.0	7.0	7.9	930	2200	2540	4.49	10.07	11.27	90	95	98	5.85
	10	07	05	05	-	27	2.74	2.03	1.52	1.52	-	4.0	7.8	8.5	930	2460	2730	4.49	11.26	12.11	90	95	98	5.94
	13	07	05	05	-	30	3.53	1.91	1.43	1.43	-	4.0	8.3	8.8	930	2660	2810	4.49	12.17	12.47	90	95	98	5.99
	16	07	05	05	-	33	4.03	1.79	1.34	1.34	-	4.0	8.5	8.9	930	2720	2840	4.49	12.45	12.60	90	95	98	6.02
	18	07	05	05	-	35	4.30	1.72	1.29	1.29	-	4.0	8.6	9.0	930	2720	2850	4.49	12.45	12.64	90	95	98	6.02
	22	07	05	05	-	39	4.80	1.60	1.20	1.20	-	4.0	8.8	9.2	930	2730	2880	4.49	12.49	12.78	90	95	98	6.08
	24	07	05	05	-	41	5.22	1.47	1.10	1.10	-	4.0	8.9	9.3	930	2730	2880	4.49	12.49	12.78	90	95	98	6.09
	10	10	05	05	-	30	2.67	2.67	1.48	1.48	-	4.0	8.3	8.8	930	2660	2810	4.49	12.17	12.47	90	95	98	5.99
	13	10	05	05	-	33	3.35	2.44	1.36	1.36	-	4.0	8.5	8.9	930	2720	2840	4.49	12.45	12.60	90	95	98	6.02
	16	10	05	05	-	36	3.84	2.30	1.28	1.28	-	4.0	8.7	9.1	930	2720	2850	4.49	12.45	12.64	90	95	98	6.06
	18	10	05	05	-	38	4.11	2.22	1.23	1.23	-	4.0	8.8	9.2	930	2730	2870	4.49	12.49	12.73	90	95	98	6.06
	22	10	05	05	-	42	4.56	2.05	1.14	1.14	-	4.0	8.9	9.3	930	2730	2880	4.49	12.49	12.78	90	95	98	6.10
	24	10	05	05	-	44	4.99	1.90	1.05	1.05	-	4.0	9.0	9.4	930	2740	2900	4.49	12.54	12.87	90	95	98	6.11
	13	13	05	05	-	36	3.10	3.10	1.25	1.25	-	4.0	8.7	9.1	930	2720	2850	4.49	12.45	12.64	90	95	98	6.06
	16	13	05	05	-	39	3.54	2.91	1.18	1.18	-	4.0	8.8	9.2	930	2730	2880	4.49	12.49	12.78	90	95	98	6.08
	18	13	05	05	-	41	3.80	2.81	1.14	1.14	-	4.0	8.9	9.3	930	2730	2880	4.49	12.49	12.78	90	95	98	6.07
	22	13	05	05	-	45	4.25	2.62	1.06	1.06	-	4.0	9.0	9.4	930	2740	2900	4.49	12.54	12.87	90	95	98	6.11
	24	13	05	05	-	47	4.63	2.41	0.98	0.98	-	4.0	9.0	9.4	930	2740	2900	4.49	12.54	12.87	90	95	98	6.11
	16	16	05	05	-	42	3.34	3.34	1.11	1.11	-	4.0	8.9	9.3	930	2730	2880	4.49	12.49	12.78	90	95	98	6.10
	18	16	05	05	-	44	3.60	3.24	1.08	1.08	-	4.0	9.0	9.4	930	2740	2900	4.49	12.54	12.87	90	95	98	6.09
	22	16	05	05	-	48	4.00	3.00	1.00	1.00	-	4.0	9.0	9.4	930	2740	2900	4.49	12.54	12.87	90	95	98	6.11
	24	16	05	05	-	50	4.38	2.77	0.92	0.92	-	4.0	9.0	9.4	930	2740	2900	4.49	12.54	12.87	90	95	98	6.11
	18	18	05	05	-	46	3.46	3.46	1.04	1.04	-	4.0	9.0	9.4	930	2740	2900	4.49	12.54	12.87	90	95	98	6.07
	22	18	05	05	-	50	3.86	3.21	0.96	0.96	-	4.0	9.0	9.4	930	2740	2900	4.49	12.54	12.87	90	95	98	6.09
	24	18	05	05	-	52	4.23	2.98	0.89	0.89	-	4.0	9.0	9.4	930	2740	2900	4.49	12.54	12.87	90	95	98	6.09
	22	22	05	05	-	54	3.60	3.60	0.90	0.90	-	4.0	9.0	9.4	930	2740	2900	4.49	12.54	12.87	90	95	98	6.11
	07	07	07	05	-	26	2.00	2.00	2.00	1.50	-	4.0	7.5	8.3	930	2370	2670	4.49	10.85	11.85	90	95	98	5.89
	10	07	07	05	-	29	2.67	1.98	1.98	1.48	-	4.0	8.1	8.7	930	2600	2810	4.49	11.90	12.47	90	95	98	5.96
	13	07	07	05	-	32	3.42	1.85	1.85	1.39	-	4.0	8.5	8.9	930	2710	2830	4.49	12.40	12.56	90	95	98	6.02
	16	07	07	05	-	35	3.87	1.72	1.72	1.29	-	4.0	8.6	9.0	930	2720	2850	4.49	12.45	12.64	90	95	98	6.04
	18	07	07	05	-	37	4.14	1.66	1.66	1.24	-	4.0	8.7	9.1	930	2720	2850	4.49	12.45	12.64	90	95	98	6.04
	22	07	07	05	-	41	4.64	1.55	1.55	1.16	-	4.0	8.9	9.3	930	2730	2880	4.49	12.49	12.78	90	95	98	6.10
	24	07	07	05	-	43	5.07	1.43	1.43	1.07	-	4.0	9.0	9.4	930	2740	2900	4.49	12.54	12.87	90	95	98	6.11
	10	10	07	05	-	32	2.58	2.58	1.91	1.43	-	4.0	8.5	8.9	930	2710	2830	4.49	12.40	12.56	90	95	98	6.02
	13	10	07	05	-	35	3.21	2.35	1.74	1.30	-	4.0	8.6	9.0	930	2720	2850	4.49	12.45	12.64	90	95	98	6.04
	16	10	07	05	-	38	3.70	2.22	1.64	1.23	-	4.0	8.8	9.2	930	2730	2870	4.49	12.49	12.73	90	95	98	6.08
	18	10	07	05	-	40	3.93	2.12	1.57	1.18	-	4.0	8.8	9.2	930	2730	2880	4.49	12.49	12.78	90	95	98	6.06
	22	10	07	05	-	44	4.43	1.99	1.48	1.11	-	4.0	9.0	9.4	930	2740	2900	4.49	12.54	12.87	90	95	98	6.11
	24	10	07	05	-	46	4.80	1.83	1.35	1.02	-	4.0	9.0	9.4	930	2740	2900	4.49	12.54	12.87	90	95	98	6.11
	13	13	07	05	-	38	2.99	2.99	1.61	1.21	-	4.0	8.8	9.2	930	2730	2870	4.49	12.49	12.73	90	95	98	6.08
16	13	07	05	-	41	3.42	2.81	1.52	1.14	-	4.0	8.9	9.3	930	2730	2880	4.49	12.49	12.78	90	95	98	6.10	
18	13	07	05	-	43	3.69	2.73	1.48	1.11	-	4.0	9.0	9.4	930	2740	2900	4.49	12.54	12.87	90	95	98	6.09	
22	13	07	05	-	47	4.09	2.52	1.36	1.02	-	4.0	9.0	9.4	930	2740	2900	4.49	12.54	12.87	90	95	98	6.11	
24	13	07	05	-	49	4.47	2.33	1.26	0.94	-	4.0	9.0	9.4	930	2740	2900	4.49	12.54	12.87	90	95	98	6.11	
16	16	07	05	-	44	3.24	3.24	1.44	1.08	-	4.0	9.0	9.4	930	2740	2900	4.49	12.54	12.87	90	95	98	6.12	
18	16	07	05	-	46	3.46	3.12	1.38	1.04	-	4.0	9.0	9.4	930	2740	2900	4.49	12.54	12.87	90	95	98	6.09	
22	16	07	05	-	50	3.86	2.89	1.29	0.96	-	4.0	9.0	9.4	930	2740	2900	4.49	12.54	12.87	90	95	98	6.11	
18	18	07	05	-	48	3.33	3.33	1.33	1.00	-	4.0	9.0	9.4	930	2740	2900	4.49	12.54	12.87	90	95	98	6.07	
22	18	07	05	-	52	3.72	3.10	1.24	0.93	-	4.0	9.0	9.4	930	2740	2900	4.49	12.54	12.87	90	95	98	6.09	
10	10	10	05	-	35	2.42	2.42	2.42	1.34	-	4.0	8.6	9.0	930	2720	2850	4.49	12.45	12.64	90	95	98	6.04	
13	10	10	05	-	38	3.07	2.24	2.24	1.25	-	4.0	8.8	9.2	930	2730	2870	4.49	12.49	12.73	90	95	98	6.08	
16	10	10	05	-	41	3.51	2.11	2.11	1.17	-	4.0	8.9	9.3	930	2730	2880	4.49	12.49	12.78	90	95	98	6.10	
18	10	10	05	-	43	3.78	2.04	2.04	1.13	-	4.0	9.0	9.4	930	2740	2900	4.49	12.54	12.87	90	95	98	6.09	
22	10																							

Operation mode : Cooling

Power supply voltage : 230V

Operating status	Indoor unit					Unit capacity (kW)					Cooling capacity (kW)			Power consumption (W)			Operating current (A)			Power factor (%)			SEER	
	A	B	C	D	E	ΣkBTU	A	B	C	D	E	Min	Rate	Max	Min	Rate	Max	Min	Rate	Max	Min	Rate		Max
4 units	24	13	07	07	-	51	4.32	2.25	1.22	1.22	-	4.2	9.0	9.4	950	2740	2900	4.59	12.54	12.87	90	95	98	6.11
	16	16	07	07	-	46	3.12	3.12	1.38	1.38	-	4.2	9.0	9.4	950	2740	2900	4.59	12.54	12.87	90	95	98	6.12
	18	16	07	07	-	48	3.33	3.00	1.33	1.33	-	4.2	9.0	9.4	950	2740	2900	4.59	12.54	12.87	90	95	98	6.09
	22	16	07	07	-	52	3.72	2.79	1.24	1.24	-	4.2	9.0	9.4	950	2740	2900	4.59	12.54	12.87	90	95	98	6.11
	24	16	07	07	-	54	4.10	2.60	1.15	1.15	-	4.2	9.0	9.4	950	2740	2900	4.59	12.54	12.87	90	95	98	6.11
	18	18	07	07	-	50	3.21	3.21	1.29	1.29	-	4.2	9.0	9.4	950	2740	2900	4.59	12.54	12.87	90	95	98	6.07
	22	18	07	07	-	54	3.60	3.00	1.20	1.20	-	4.2	9.0	9.4	950	2740	2900	4.59	12.54	12.87	90	95	98	6.09
	24	18	07	07	-	56	3.97	2.80	1.12	1.12	-	4.2	9.0	9.4	950	2740	2900	4.59	12.54	12.87	90	95	98	6.09
	10	10	10	07	-	37	2.30	2.30	2.30	1.70	-	4.1	8.6	9.0	940	2720	2850	4.54	12.45	12.64	90	95	98	6.04
	13	10	10	07	-	40	2.93	2.14	2.14	1.59	-	4.1	8.8	9.2	940	2730	2880	4.54	12.49	12.78	90	95	98	6.08
	16	10	10	07	-	43	3.37	2.02	2.02	1.50	-	4.1	8.9	9.3	940	2730	2880	4.54	12.49	12.78	90	95	98	6.10
	18	10	10	07	-	45	3.63	1.96	1.96	1.45	-	4.2	9.0	9.4	950	2740	2900	4.59	12.54	12.87	90	95	98	6.09
	22	10	10	07	-	49	4.03	1.81	1.81	1.34	-	4.2	9.0	9.4	950	2740	2900	4.59	12.54	12.87	90	95	98	6.11
	24	10	10	07	-	51	4.41	1.68	1.68	1.24	-	4.2	9.0	9.4	950	2740	2900	4.59	12.54	12.87	90	95	98	6.11
	13	13	10	07	-	43	2.75	2.75	2.01	1.49	-	4.2	9.0	9.4	950	2740	2900	4.59	12.54	12.87	90	95	98	6.12
	16	13	10	07	-	46	3.14	2.58	1.88	1.40	-	4.2	9.0	9.4	950	2740	2900	4.59	12.54	12.87	90	95	98	6.12
	18	13	10	07	-	48	3.36	2.49	1.81	1.34	-	4.2	9.0	9.4	950	2740	2900	4.59	12.54	12.87	90	95	98	6.09
	22	13	10	07	-	52	3.75	2.31	1.69	1.25	-	4.2	9.0	9.4	950	2740	2900	4.59	12.54	12.87	90	95	98	6.11
	24	13	10	07	-	54	4.12	2.15	1.57	1.16	-	4.2	9.0	9.4	950	2740	2900	4.59	12.54	12.87	90	95	98	6.11
	16	16	10	07	-	49	2.96	2.96	1.77	1.31	-	4.2	9.0	9.4	950	2740	2900	4.59	12.54	12.87	90	95	98	6.12
	18	16	10	07	-	51	3.17	2.85	1.71	1.27	-	4.2	9.0	9.4	950	2740	2900	4.59	12.54	12.87	90	95	98	6.09
	22	16	10	07	-	55	3.55	2.66	1.60	1.18	-	4.2	9.0	9.4	950	2740	2900	4.59	12.54	12.87	90	95	98	6.11
	24	16	10	07	-	57	3.92	2.48	1.49	1.10	-	4.2	9.0	9.4	950	2740	2900	4.59	12.54	12.87	90	95	98	6.11
	18	18	10	07	-	53	3.06	3.06	1.65	1.22	-	4.2	9.0	9.4	950	2740	2900	4.59	12.54	12.87	90	95	98	6.07
	22	18	10	07	-	57	3.44	2.87	1.55	1.15	-	4.2	9.0	9.4	950	2740	2900	4.59	12.54	12.87	90	95	98	6.09
	24	18	10	07	-	59	3.80	2.68	1.45	1.07	-	4.2	9.0	9.4	950	2740	2900	4.59	12.54	12.87	90	95	98	6.09
	13	13	13	07	-	46	2.54	2.54	2.54	1.37	-	4.2	9.0	9.4	950	2740	2900	4.59	12.54	12.87	90	95	98	6.12
	16	13	13	07	-	49	2.91	2.40	2.40	1.29	-	4.2	9.0	9.4	950	2740	2900	4.59	12.54	12.87	90	95	98	6.12
	18	13	13	07	-	51	3.13	2.31	2.31	1.25	-	4.2	9.0	9.4	950	2740	2900	4.59	12.54	12.87	90	95	98	6.09
	22	13	13	07	-	55	3.51	2.16	2.16	1.17	-	4.2	9.0	9.4	950	2740	2900	4.59	12.54	12.87	90	95	98	6.11
	24	13	13	07	-	57	3.87	2.02	2.02	1.09	-	4.2	9.0	9.4	950	2740	2900	4.59	12.54	12.87	90	95	98	6.11
	16	16	13	07	-	52	2.76	2.76	2.27	1.22	-	4.2	9.0	9.4	950	2740	2900	4.59	12.54	12.87	90	95	98	6.12
	18	16	13	07	-	54	2.96	2.66	2.19	1.18	-	4.2	9.0	9.4	950	2740	2900	4.59	12.54	12.87	90	95	98	6.09
	22	16	13	07	-	58	3.33	2.50	2.06	1.11	-	4.2	9.0	9.4	950	2740	2900	4.59	12.54	12.87	90	95	98	6.11
	24	16	13	07	-	60	3.69	2.34	1.92	1.04	-	4.2	9.0	9.4	950	2740	2900	4.59	12.54	12.87	90	95	98	6.11
	18	18	13	07	-	56	2.87	2.87	2.12	1.15	-	4.2	9.0	9.4	950	2740	2900	4.59	12.54	12.87	90	95	98	6.07
	22	18	13	07	-	60	3.23	2.69	1.99	1.08	-	4.2	9.0	9.4	950	2740	2900	4.59	12.54	12.87	90	95	98	6.09
	24	18	13	07	-	62	3.59	2.53	1.87	1.01	-	4.2	9.0	9.4	950	2740	2900	4.59	12.54	12.87	90	95	98	6.09
	10	10	10	10	-	40	2.18	2.18	2.18	2.18	-	4.1	8.7	9.1	940	2720	2850	4.54	12.45	12.64	90	95	98	6.06
	13	10	10	10	-	43	2.79	2.04	2.04	2.04	-	4.1	8.9	9.3	940	2730	2880	4.54	12.49	12.78	90	95	98	6.10
	16	10	10	10	-	46	3.21	1.93	1.93	1.93	-	4.2	9.0	9.4	950	2740	2900	4.59	12.54	12.87	90	95	98	6.12
	18	10	10	10	-	48	3.44	1.85	1.85	1.85	-	4.2	9.0	9.4	950	2740	2900	4.59	12.54	12.87	90	95	98	6.09
	22	10	10	10	-	52	3.83	1.72	1.72	1.72	-	4.2	9.0	9.4	950	2740	2900	4.59	12.54	12.87	90	95	98	6.11
	24	10	10	10	-	54	4.20	1.60	1.60	1.60	-	4.2	9.0	9.4	950	2740	2900	4.59	12.54	12.87	90	95	98	6.11
	13	13	10	10	-	46	2.60	2.60	1.90	1.90	-	4.2	9.0	9.4	950	2740	2900	4.59	12.54	12.87	90	95	98	6.12
	16	13	10	10	-	49	2.98	2.45	1.79	1.79	-	4.2	9.0	9.4	950	2740	2900	4.59	12.54	12.87	90	95	98	6.12
	18	13	10	10	-	51	3.19	2.36	1.72	1.72	-	4.2	9.0	9.4	950	2740	2900	4.59	12.54	12.87	90	95	98	6.09
	22	13	10	10	-	55	3.58	2.21	1.61	1.61	-	4.2	9.0	9.4	950	2740	2900	4.59	12.54	12.87	90	95	98	6.11
24	13	10	10	-	57	3.94	2.06	1.50	1.50	-	4.2	9.0	9.4	950	2740	2900	4.59	12.54	12.87	90	95	98	6.11	
16	16	10	10	-	52	2.81	2.81	1.69	1.69	-	4.2	9.0	9.4	950	2740	2900	4.59	12.54	12.87	90	95	98	6.12	
18	16	10	10	-	54	3.02	2.72	1.63	1.63	-	4.2	9.0	9.4	950	2740	2900	4.59	12.54	12.87	90	95	98	6.09	
22	16	10	10	-	58	3.40	2.55	1.53	1.53	-	4.2	9.0	9.4	950	2740	2900	4.59	12.54	12.87	90	95	98	6.11	
24	16	10	10	-	60	3.76	2.38	1.43	1.43	-	4.2	9.0	9.4	950	2740	2900	4.59	12.54	12.87	90	95	98	6.11	
18	18	10	10	-	56	2.92	2.92	1.58	1.58	-	4.2	9.0	9.4	950	2740	2900	4.59	12.54	12.87	90	95	98	6.07	
22	18	10	10	-	60	3.29	2.74	1.48	1.48	-	4.2	9.0	9.4	950	2740	2900	4.59	12.54	12.87	90	95	98	6.09	
24	18	10	10	-	62	3.65	2.57	1.39	1.39	-	4.2	9.0	9.4	950	2740	2900	4.59	12.54	12.87	90	95	98	6.09	
13	13	13	10	-	49	2.41	2.41	2.41	1.76	-	4.2	9.0	9.4	950	2740	2900	4.59	12.54	12.87	90	95	98	6.12	
16	13	13	10	-	52	2.77	2.28	2.28	1.66	-	4.2	9.0	9.4	950	2740	2900	4.59	12.54	12.87	90	95	98	6.12	
18	13	13	10	-	54	2.98	2.21	2.21	1.61	-	4.2	9.0	9.4	950	2740	2900	4.59	12.54	12.87	90	95	98	6.09	
22	13	13	10	-	58	3.35	2.07	2.07	1.51	-	4.2	9.0	9.4	950	2740	2900	4.59	12.54	12.87	90	95	98	6.11	
24	13	13	10	-	60	3.72	1.94	1.94	1.41	-	4.2	9.0	9.4	950	2740	2900	4.59	12.54	12.87	90	95	98	6.11	

Operation mode : Cooling

Power supply voltage : 230V

Operating status	Indoor unit					Unit capacity (kW)					Cooling capacity (kW)			Power consumption (W)			Operating current (A)			Power factor (%)			SEER	
	A	B	C	D	E	ΣkBTU	A	B	C	D	E	Min	Rate	Max	Min	Rate	Max	Min	Rate	Max	Min	Rate		Max
5 units	05	05	05	05	05	25	1.50	1.50	1.50	1.50	1.50	3.7	7.5	8.5	950	2300	2510	4.59	10.53	11.14	90	95	98	5.91
	07	05	05	05	05	27	2.00	1.50	1.50	1.50	1.50	3.7	8.0	8.7	950	2400	2580	4.59	10.98	11.45	90	95	98	6.08
	10	05	05	05	05	30	2.70	1.50	1.50	1.50	1.50	3.7	8.7	9.1	950	2600	2740	4.59	11.90	12.16	90	95	98	6.17
	13	05	05	05	05	33	3.70	1.50	1.50	1.50	1.50	3.7	9.7	10.7	950	2850	3380	4.59	13.04	15.00	90	95	98	6.35
	16	05	05	05	05	36	4.24	1.41	1.41	1.41	1.41	3.7	9.9	11.0	950	2946	3670	4.59	13.48	16.28	90	95	98	6.29
	18	05	05	05	05	38	4.50	1.35	1.35	1.35	1.35	3.7	9.9	11.0	950	2946	3670	4.59	13.48	16.28	90	95	98	6.27
	07	07	05	05	05	29	2.00	2.00	1.50	1.50	1.50	3.7	8.5	9.5	950	2600	2890	4.59	11.90	12.82	90	95	98	6.03
	10	07	05	05	05	32	2.70	2.00	1.50	1.50	1.50	3.7	9.2	10.2	950	2800	3170	4.59	12.81	14.06	90	95	98	6.12
	13	07	05	05	05	35	3.59	1.94	1.46	1.46	1.46	3.7	9.9	11.0	950	2946	3670	4.59	13.48	16.28	90	95	98	6.29
	16	07	05	05	05	38	4.05	1.80	1.35	1.35	1.35	3.7	9.9	11.0	950	2946	3670	4.59	13.48	16.28	90	95	98	6.29
	18	07	05	05	05	40	4.30	1.72	1.29	1.29	1.29	3.7	9.9	11.0	950	2946	3670	4.59	13.48	16.28	90	95	98	6.27
	10	10	05	05	05	35	2.70	2.70	1.50	1.50	1.50	3.7	9.9	10.9	950	2946	3470	4.59	13.48	15.39	90	95	98	6.29
	13	10	05	05	05	38	3.36	2.45	1.36	1.36	1.36	3.7	9.9	11.0	950	2946	3670	4.59	13.48	16.28	90	95	98	6.29
	16	10	05	05	05	41	3.81	2.28	1.27	1.27	1.27	3.7	9.9	11.0	950	2946	3670	4.59	13.48	16.28	90	95	98	6.29
	18	10	05	05	05	43	4.06	2.19	1.22	1.22	1.22	3.7	9.9	11.0	950	2946	3670	4.59	13.48	16.28	90	95	98	6.27
	13	13	05	05	05	41	3.08	3.08	1.25	1.25	1.25	3.7	9.9	11.0	950	2946	3670	4.59	13.48	16.28	90	95	98	6.29
	16	13	05	05	05	44	3.51	2.88	1.17	1.17	1.17	3.7	9.9	11.0	950	2946	3670	4.59	13.48	16.28	90	95	98	6.29
	18	13	05	05	05	46	3.75	2.78	1.13	1.13	1.13	3.7	9.9	11.0	950	2946	3670	4.59	13.48	16.28	90	95	98	6.27
	16	16	05	05	05	47	3.30	3.30	1.10	1.10	1.10	3.7	9.9	11.0	950	2946	3670	4.59	13.48	16.28	90	95	98	6.29
	18	16	05	05	05	49	3.54	3.18	1.06	1.06	1.06	3.7	9.9	11.0	950	2946	3670	4.59	13.48	16.28	90	95	98	6.27
	18	18	05	05	05	51	3.41	3.41	1.02	1.02	1.02	3.7	9.9	11.0	950	2946	3670	4.59	13.48	16.28	90	95	98	6.25
	07	07	07	05	05	31	2.00	2.00	2.00	1.50	1.50	3.7	9.0	10.0	950	2750	3090	4.59	12.59	13.71	90	95	98	6.08
	10	07	07	05	05	34	2.70	2.00	2.00	1.50	1.50	3.7	9.7	10.7	950	2850	3380	4.59	13.04	15.00	90	95	98	6.35
	13	07	07	05	05	37	3.42	1.85	1.85	1.39	1.39	3.7	9.9	11.0	950	2946	3670	4.59	13.48	16.28	90	95	98	6.29
	16	07	07	05	05	40	3.87	1.72	1.72	1.29	1.29	3.7	9.9	11.0	950	2946	3670	4.59	13.48	16.28	90	95	98	6.29
	18	07	07	05	05	42	4.13	1.65	1.65	1.24	1.24	3.7	9.9	11.0	950	2946	3670	4.59	13.48	16.28	90	95	98	6.27
	10	10	07	05	05	37	2.57	2.57	1.90	1.43	1.43	3.7	9.9	11.0	950	2946	2800	4.59	13.48	12.42	90	95	98	6.29
	13	10	07	05	05	40	3.21	2.34	1.74	1.30	1.30	3.7	9.9	11.0	950	2946	3670	4.59	13.48	16.28	90	95	98	6.29
	16	10	07	05	05	43	3.65	2.19	1.62	1.22	1.22	3.7	9.9	11.0	950	2946	3670	4.59	13.48	16.28	90	95	98	6.29
	18	10	07	05	05	45	3.90	2.10	1.56	1.17	1.17	3.7	9.9	11.0	950	2946	3670	4.59	13.48	16.28	90	95	98	6.27
	13	13	07	05	05	43	2.95	2.95	1.60	1.20	1.20	3.7	9.9	11.0	950	2946	3670	4.59	13.48	16.28	90	95	98	6.29
	16	13	07	05	05	46	3.38	2.78	1.50	1.13	1.13	3.7	9.9	11.0	950	2946	3670	4.59	13.48	16.28	90	95	98	6.29
	18	13	07	05	05	48	3.61	2.67	1.45	1.08	1.08	3.7	9.9	11.0	950	2946	3670	4.59	13.48	16.28	90	95	98	6.27
	16	16	07	05	05	49	3.18	3.18	1.41	1.06	1.06	3.7	9.9	11.0	950	2946	3670	4.59	13.48	16.28	90	95	98	6.29
	18	16	07	05	05	51	3.41	3.07	1.37	1.02	1.02	3.7	9.9	11.0	950	2946	3670	4.59	13.48	16.28	90	95	98	6.27
	10	10	10	05	05	40	2.41	2.41	2.41	1.34	1.34	3.7	9.9	11.0	950	2946	3670	4.59	13.48	16.28	90	95	98	6.29
	13	10	10	05	05	43	3.03	2.21	2.21	1.23	1.23	3.7	9.9	11.0	950	2946	3670	4.59	13.48	16.28	90	95	98	6.29
	16	10	10	05	05	46	3.45	2.07	2.07	1.15	1.15	3.7	9.9	11.0	950	2946	3670	4.59	13.48	16.28	90	95	98	6.29
	18	10	10	05	05	48	3.69	1.99	1.99	1.11	1.11	3.7	9.9	11.0	950	2946	3670	4.59	13.48	16.28	90	95	98	6.27
	13	13	10	05	05	46	2.80	2.80	2.04	1.13	1.13	3.7	9.9	11.0	950	2946	3670	4.59	13.48	16.28	90	95	98	6.29
07	07	07	07	05	33	2.00	2.00	2.00	2.00	1.50	3.7	9.5	10.5	950	2800	3300	4.59	12.81	14.64	90	95	98	6.32	
10	07	07	07	05	36	2.62	1.94	1.94	1.94	1.46	3.7	9.9	11.0	950	2946	3670	4.59	13.48	16.28	90	95	98	6.29	
13	07	07	07	05	39	3.27	1.77	1.77	1.77	1.33	3.7	9.9	11.0	950	2946	3670	4.59	13.48	16.28	90	95	98	6.29	
16	07	07	07	05	42	3.71	1.65	1.65	1.65	1.24	3.7	9.9	11.0	950	2946	3670	4.59	13.48	16.28	90	95	98	6.29	
18	07	07	07	05	44	3.96	1.58	1.58	1.58	1.19	3.7	9.9	11.0	950	2946	3670	4.59	13.48	16.28	90	95	98	6.27	
10	10	07	07	05	39	2.45	2.45	1.82	1.82	1.36	3.7	9.9	11.0	950	2946	3670	4.59	13.48	16.28	90	95	98	6.29	
13	10	07	07	05	42	3.08	2.25	1.66	1.66	1.25	3.7	9.9	11.0	950	2946	3670	4.59	13.48	16.28	90	95	98	6.29	
16	10	07	07	05	45	3.51	2.10	1.56	1.56	1.17	3.7	9.9	11.0	950	2946	3670	4.59	13.48	16.28	90	95	98	6.29	
18	10	07	07	05	47	3.75	2.03	1.50	1.50	1.13	3.7	9.9	11.0	950	2946	3670	4.59	13.48	16.28	90	95	98	6.27	
13	13	07	07	05	45	2.84	2.84	1.53	1.53	1.15	3.7	9.9	11.0	950	2946	3670	4.59	13.48	16.28	90	95	98	6.29	
16	13	07	07	05	48	3.25	2.67	1.45	1.45	1.08	3.7	9.9	11.0	950	2946	3670	4.59	13.48	16.28	90	95	98	6.29	
10	10	10	07	05	42	2.30	2.30	2.30	1.71	1.28	3.7	9.9	11.0	950	2946	3670	4.59	13.48	16.28	90	95	98	6.29	
13	10	10	07	05	45	2.91	2.12	2.12	1.57	1.18	3.7	9.9	11.0	950	2946	3670	4.59	13.48	16.28	90	95	98	6.29	
16	10	10	07	05	48	3.32	1.99	1.99	1.48	1.11	3.7	9.9	11.0	950	2946	3670	4.59	13.48	16.28	90	95	98	6.29	
10	10	10	10	05	45	2.17	2.17	2.17	2.17	1.21	3.7	9.9	11.0	950	2946	3670	4.59	13.48	16.28	90	95	98	6.29	
07	07	07	07	07	35	1.96	1.96	1.96	1.96	1.96	3.7	9.8	10.8	950	2917	3630	4.59	13.35	16.10	90	95	98	6.28	
10	07	07	07	07	38	2.50	1.85	1.85	1.85	1.85	3.7	9.9	10.9	950	2946	3670	4.59	13.48	16.28	90	95	98	6.29	
13	07	07	07	07	41	3.13	1.69	1.69	1.69	1.69	3.7	9.9	10.9	950	2946	3670	4.59	13.48	16.28	90	95	98	6.29	
16	07	07	07	07	44	3.56	1.58	1.58	1.58	1.58	3.7	9.9	10.9	950	2946	3670	4.59	13.48	16.28	90	95			

Operation mode : Cooling

Power supply voltage : 230V

Operating status	Indoor unit					Unit capacity (kW)					Cooling capacity (kW)			Power consumption (W)			Operating current (A)			Power factor (%)		SEER		
	A	B	C	D	E	ΣkBTU	A	B	C	D	E	Min	Rate	Max	Min	Rate	Max	Min	Rate	Max	Min		Rate	Max
5 units	13	13	13	10	07	56	2.32	2.32	2.32	1.69	1.25	3.7	9.9	10.9	950	2946	3670	4.59	13.48	16.28	90	95	98	6.29
	16	13	13	10	07	59	2.68	2.21	2.21	1.61	1.19	3.7	9.9	10.9	950	2946	3670	4.59	13.48	16.28	90	95	98	6.29
	18	13	13	10	07	61	2.89	2.14	2.14	1.56	1.16	3.7	9.9	10.9	950	2946	3670	4.59	13.48	16.28	90	95	98	6.27
	16	16	13	10	07	62	2.56	2.56	2.11	1.54	1.14	3.7	9.9	10.9	950	2946	3670	4.59	13.48	16.28	90	95	98	6.29
	13	13	13	13	07	59	2.18	2.18	2.18	2.18	1.18	3.7	9.9	10.9	950	2946	3670	4.59	13.48	16.28	90	95	98	6.29
	16	13	13	13	07	62	2.53	2.08	2.08	2.08	1.13	3.7	9.9	10.9	950	2946	3670	4.59	13.48	16.28	90	95	98	6.29
	18	13	13	13	07	64	2.73	2.02	2.02	2.02	1.09	3.7	9.9	10.9	950	2946	3670	4.59	13.48	16.28	90	95	98	6.27
	16	16	13	13	07	65	2.42	2.42	1.99	1.99	1.08	3.7	9.9	10.9	950	2946	3670	4.59	13.48	16.28	90	95	98	6.29
	10	10	10	10	10	50	1.98	1.98	1.98	1.98	1.98	3.7	9.9	10.9	950	2946	3670	4.59	13.48	16.28	90	95	98	6.29
	13	10	10	10	10	53	2.53	1.84	1.84	1.84	1.84	3.7	9.9	10.9	950	2946	3670	4.59	13.48	16.28	90	95	98	6.29
	16	10	10	10	10	56	2.91	1.75	1.75	1.75	1.75	3.7	9.9	10.9	950	2946	3670	4.59	13.48	16.28	90	95	98	6.29
	18	10	10	10	10	58	3.13	1.69	1.69	1.69	1.69	3.7	9.9	10.9	950	2946	3670	4.59	13.48	16.28	90	95	98	6.27
	13	13	10	10	10	56	2.36	2.36	1.72	1.72	1.72	3.7	9.9	10.9	950	2946	3670	4.59	13.48	16.28	90	95	98	6.29
	16	13	10	10	10	59	2.73	2.25	1.64	1.64	1.64	3.7	9.9	10.9	950	2946	3670	4.59	13.48	16.28	90	95	98	6.29
	18	13	10	10	10	61	2.95	2.18	1.59	1.59	1.59	3.7	9.9	10.9	950	2946	3670	4.59	13.48	16.28	90	95	98	6.27
	16	16	10	10	10	62	2.61	2.61	1.56	1.56	1.56	3.7	9.9	10.9	950	2946	3670	4.59	13.48	16.28	90	95	98	6.29
	13	13	13	10	10	59	2.22	2.22	2.22	1.62	1.62	3.7	9.9	10.9	950	2946	3670	4.59	13.48	16.28	90	95	98	6.29
	16	13	13	10	10	62	2.58	2.12	2.12	1.55	1.55	3.7	9.9	10.9	950	2946	3670	4.59	13.48	16.28	90	95	98	6.29
	18	13	13	10	10	64	2.78	2.06	2.06	1.50	1.50	3.7	9.9	10.9	950	2946	3670	4.59	13.48	16.28	90	95	98	6.27
	16	16	13	10	10	65	2.49	2.49	2.04	1.49	1.49	3.7	10.0	11.0	950	2980	3700	4.59	13.64	16.42	90	95	98	6.31
	13	13	13	13	10	62	2.09	2.09	2.09	2.09	1.53	3.7	9.9	10.9	950	2946	3670	4.59	13.48	16.28	90	95	98	6.29
	16	13	13	13	10	65	2.46	2.02	2.02	2.02	1.48	3.7	10.0	11.0	950	2980	3700	4.59	13.64	16.42	90	95	98	6.31
	18	13	13	13	10	67	2.66	1.97	1.97	1.97	1.44	3.7	10.0	11.0	950	2980	3700	4.59	13.64	16.42	90	95	98	6.28
	16	16	13	13	10	68	2.36	2.36	1.94	1.94	1.41	3.7	10.0	11.0	950	2980	3700	4.59	13.64	16.42	90	95	98	6.31
	13	13	13	13	13	65	2.00	2.00	2.00	2.00	2.00	3.7	10.0	11.0	950	2980	3700	4.59	13.64	16.42	90	95	98	6.31
	16	13	13	13	13	68	2.33	1.92	1.92	1.92	1.92	3.7	10.0	11.0	950	2980	3700	4.59	13.64	16.42	90	95	98	6.31
	22	*05	*05	*05	*05	42	4.95	1.24	1.24	1.24	1.24	3.7	9.9	11.0	950	2946	3670	4.59	13.48	16.28	90	95	98	6.29
	24	*05	*05	*05	*05	44	5.37	1.13	1.13	1.13	1.13	3.7	9.9	11.0	950	2946	3670	4.59	13.48	16.28	90	95	98	6.29
	22	*07	*05	*05	*05	44	4.75	1.58	1.19	1.19	1.19	3.7	9.9	11.0	950	2946	3670	4.59	13.48	16.28	90	95	98	6.29
	24	*07	*05	*05	*05	46	5.17	1.46	1.09	1.09	1.09	3.7	9.9	11.0	950	2946	3670	4.59	13.48	16.28	90	95	98	6.29
	22	*10	*05	*05	*05	47	4.50	2.03	1.13	1.13	1.13	3.7	9.9	11.0	950	2946	3670	4.59	13.48	16.28	90	95	98	6.29
	24	*10	*05	*05	*05	49	4.92	1.87	1.04	1.04	1.04	3.7	9.9	11.0	950	2946	3670	4.59	13.48	16.28	90	95	98	6.29
	22	*13	*05	*05	*05	50	4.18	2.58	1.05	1.05	1.05	3.7	9.9	11.0	950	2946	3670	4.59	13.48	16.28	90	95	98	6.29
	24	*13	*05	*05	*05	52	4.59	2.39	0.97	0.97	0.97	3.7	9.9	11.0	950	2946	3670	4.59	13.48	16.28	90	95	98	6.29
	22	*07	*07	*05	*05	46	4.57	1.52	1.52	1.14	1.14	3.7	9.9	11.0	950	2946	3670	4.59	13.48	16.28	90	95	98	6.29
	24	*07	*07	*05	*05	48	4.99	1.40	1.40	1.05	1.05	3.7	9.9	11.0	950	2946	3670	4.59	13.48	16.28	90	95	98	6.29
	22	*10	*07	*05	*05	49	4.34	1.95	1.45	1.08	1.08	3.7	9.9	11.0	950	2946	3670	4.59	13.48	16.28	90	95	98	6.29
	24	*10	*07	*05	*05	51	4.75	1.81	1.34	1.00	1.00	3.7	9.9	11.0	950	2946	3670	4.59	13.48	16.28	90	95	98	6.29
	22	*13	*07	*05	*05	52	4.04	2.49	1.35	1.01	1.01	3.7	9.9	11.0	950	2946	3670	4.59	13.48	16.28	90	95	98	6.29
	24	*13	*07	*05	*05	54	4.45	2.32	1.25	0.94	0.94	3.7	9.9	11.0	950	2946	3670	4.59	13.48	16.28	90	95	98	6.29
	22	*10	*10	*05	*05	52	4.13	1.86	1.86	1.03	1.03	3.7	9.9	11.0	950	2946	3670	4.59	13.48	16.28	90	95	98	6.29
	24	*10	*10	*05	*05	54	4.53	1.72	1.72	0.96	0.96	3.7	9.9	11.0	950	2946	3670	4.59	13.48	16.28	90	95	98	6.29
	22	*13	*10	*05	*05	55	3.86	2.38	1.74	0.96	0.96	3.7	9.9	11.0	950	2946	3670	4.59	13.48	16.28	90	95	98	6.29
	24	*13	*10	*05	*05	57	4.26	2.22	1.62	0.90	0.90	3.7	9.9	11.0	950	2946	3670	4.59	13.48	16.28	90	95	98	6.29
	22	*13	*13	*05	*05	58	3.62	2.23	2.23	0.91	0.91	3.7	9.9	11.0	950	2946	3670	4.59	13.48	16.28	90	95	98	6.29
	24	*13	*13	*05	*05	60	4.02	2.09	2.09	0.85	0.85	3.7	9.9	11.0	950	2946	3670	4.59	13.48	16.28	90	95	98	6.29
	22	*07	*07	*07	*05	48	4.40	1.47	1.47	1.47	1.10	3.7	9.9	11.0	950	2946	3670	4.59	13.48	16.28	90	95	98	6.29
	24	*07	*07	*07	*05	50	4.81	1.36	1.36	1.36	1.02	3.7	9.9	11.0	950	2946	3670	4.59	13.48	16.28	90	95	98	6.29
	22	*10	*07	*07	*05	51	4.18	1.88	1.39	1.39	1.05	3.7	9.9	11.0	950	2946	3670	4.59	13.48	16.28	90	95	98	6.29
	24	*10	*07	*07	*05	53	4.59	1.75	1.29	1.29	0.97	3.7	9.9	11.0	950	2946	3670	4.59	13.48	16.28	90	95	98	6.29
	22	*13	*07	*07	*05	54	3.91	2.41	1.30	1.30	0.98	3.7	9.9	11.0	950	2946	3670	4.59	13.48	16.28	90	95	98	6.29
	24	*13	*07	*07	*05	56	4.31	2.25	1.21	1.21	0.91	3.7	9.9	11.0	950	2946	3670	4.59	13.48	16.28	90	95	98	6.29
	22	*10	*10	*07	*05	54	3.99	1.79	1.79	1.33	1.00	3.7	9.9	11.0	950	2946	3670	4.59	13.48	16.28	90	95	98	6.29
	24	*10	*10	*07	*05	56	4.39	1.67	1.67	1.24	0.93	3.7	9.9	11.0	950	2946	3670	4.59	13.48	16.28	90	95	98	6.29
	22	*13	*10	*07	*05	57	3.74	2.30	1.68	1.25	0.93	3.7	9.9	11.0	950	2946	3670	4.59	13.48	16.28	90	95	98	6.29
	24	*13	*10	*07	*05	59	4.13	2.15	1.57	1.16	0.87	3.7	9.9	11.0	950	2946	3670	4.59	13.48	16.28	90	95	98	6.29
	22	*13	*13	*07	*05	60	3.51	2.17	2.17	1.17	0.88	3.7	9.9	11.0	950	2946	3670	4.59	13.48	16.28	90	95	98	6.29
	24	*13	*13	*07	*05	62	3.91	2.04	2.04	1.10	0.83	3.7	9.9	11.0	950	2946	3670	4.59	13.48	16.28	90	95	98	6.29
	22	*10	*10	*10	*05	57	3.81	1.71	1.71	1.71	0.95	3.7	9.9	11.0	950	2946	3670	4.59	13.48	16.28				

Operation mode : Cooling

Power supply voltage : 240V

Operating status	Indoor unit					Unit capacity (kW)					Cooling capacity (kW)			Power consumption (W)			Operating current (A)			Power factor (%)			SEER	
	A	B	C	D	E	ΣkBTU	A	B	C	D	E	Min	Rate	Max	Min	Rate	Max	Min	Rate	Max	Min	Rate	Max	Rate
1 unit	05	-	-	-	-	5	1.50	-	-	-	-	1.4	1.5	2.0	630	640	650	3.45	3.46	3.19	76	77	85	-
	07	-	-	-	-	7	2.00	-	-	-	-	1.4	2.0	2.5	640	650	700	3.51	3.52	3.43	76	77	85	-
	10	-	-	-	-	10	2.70	-	-	-	-	1.4	2.7	3.2	640	750	950	3.51	4.06	4.26	76	77	93	-
	13	-	-	-	-	13	3.70	-	-	-	-	1.4	3.7	4.4	640	1200	1520	3.38	5.68	6.60	79	88	96	-
	16	-	-	-	-	16	4.50	-	-	-	-	1.4	4.5	5.0	640	1650	2000	3.38	7.31	8.50	79	94	98	-
	18	-	-	-	-	18	5.00	-	-	-	-	1.4	5.0	5.2	640	1950	2100	3.38	8.55	8.93	79	95	98	-
	22	-	-	-	-	22	6.00	-	-	-	-	2.4	6.0	6.8	660	2020	2500	3.48	8.77	10.63	79	96	98	-
	24	-	-	-	-	24	7.10	-	-	-	-	2.4	7.1	7.2	660	2390	2960	3.48	10.37	12.59	79	96	98	-
2 units	05	05	-	-	-	10	1.50	1.50	-	-	-	2.5	3.0	4.0	640	1210	1480	3.33	5.31	6.29	80	95	98	4.82
	07	05	-	-	-	12	2.00	1.50	-	-	-	2.5	3.5	4.5	640	1310	1625	3.33	5.75	6.91	80	95	98	5.05
	10	05	-	-	-	15	2.70	1.50	-	-	-	2.5	4.2	5.2	640	1440	1810	3.33	6.32	7.70	80	95	98	5.32
	13	05	-	-	-	18	3.56	1.44	-	-	-	2.5	5.0	6.0	640	1620	1980	3.33	7.11	8.42	80	95	98	5.38
	16	05	-	-	-	21	4.35	1.45	-	-	-	2.5	5.8	6.5	640	1810	2160	3.33	7.94	9.18	80	95	98	5.55
	18	05	-	-	-	23	4.54	1.36	-	-	-	2.5	5.9	6.6	640	1810	2220	3.33	7.94	9.44	80	95	98	5.51
	22	05	-	-	-	27	5.04	1.26	-	-	-	2.5	6.3	6.9	640	2040	2400	3.33	8.95	10.20	80	95	98	5.54
	24	05	-	-	-	29	5.20	1.10	-	-	-	2.5	6.3	6.9	640	2040	2400	3.33	8.95	10.20	80	95	98	5.31
	07	07	-	-	-	14	2.00	2.00	-	-	-	2.5	4.0	5.0	640	1400	1770	3.33	6.14	7.53	80	95	98	5.25
	10	07	-	-	-	17	2.70	2.00	-	-	-	2.5	4.7	5.7	640	1530	1910	3.33	6.71	8.12	80	95	98	5.48
	13	07	-	-	-	20	3.70	2.00	-	-	-	2.6	5.7	6.5	660	1810	2130	3.44	7.94	9.06	80	95	98	5.54
	16	07	-	-	-	23	4.08	1.82	-	-	-	2.7	5.9	6.6	660	1810	2220	3.44	7.94	9.44	80	95	98	5.57
	18	07	-	-	-	25	4.50	1.80	-	-	-	2.9	6.3	6.9	670	2040	2400	3.49	8.95	10.20	80	95	98	5.52
	22	07	-	-	-	29	4.73	1.58	-	-	-	2.9	6.3	6.9	670	2040	2400	3.49	8.95	10.20	80	95	98	5.55
	24	07	-	-	-	31	5.31	1.49	-	-	-	3.0	6.8	7.2	690	2320	2570	3.59	10.18	10.93	80	95	98	5.34
	10	10	-	-	-	20	2.70	2.70	-	-	-	2.5	5.4	6.3	640	1530	2040	3.33	6.71	8.67	80	95	98	5.82
	13	10	-	-	-	23	3.41	2.49	-	-	-	2.7	5.9	6.6	660	1810	2220	3.44	7.94	9.44	80	95	98	5.57
	16	10	-	-	-	26	3.94	2.36	-	-	-	2.9	6.3	6.9	670	2040	2400	3.49	8.95	10.20	80	95	98	5.55
	18	10	-	-	-	28	4.09	2.21	-	-	-	2.9	6.3	6.9	670	2040	2400	3.49	8.95	10.20	80	95	98	5.52
	22	10	-	-	-	32	4.69	2.11	-	-	-	3.0	6.8	7.2	690	2320	2570	3.59	10.18	10.93	80	95	98	5.35
	24	10	-	-	-	34	5.22	1.98	-	-	-	3.2	7.2	7.5	700	2550	2750	3.65	11.18	11.69	80	95	98	5.56
	13	13	-	-	-	26	3.15	3.15	-	-	-	2.9	6.3	6.9	670	2040	2400	3.49	8.95	10.20	80	95	98	5.55
	16	13	-	-	-	29	3.73	3.07	-	-	-	3.0	6.8	7.2	690	2320	2570	3.59	10.18	10.93	80	95	98	5.35
	18	13	-	-	-	31	3.91	2.89	-	-	-	3.0	6.8	7.2	690	2320	2570	3.59	10.18	10.93	80	95	98	5.33
	22	13	-	-	-	35	4.45	2.75	-	-	-	3.2	7.2	7.5	700	2550	2750	3.65	11.18	11.69	80	95	98	5.57
	24	13	-	-	-	37	4.73	2.47	-	-	-	3.2	7.2	7.5	700	2550	2750	3.65	11.18	11.69	80	95	98	5.56
	16	16	-	-	-	32	3.60	3.60	-	-	-	3.2	7.2	7.5	700	2550	2750	3.65	11.18	11.69	80	95	98	5.57
	18	16	-	-	-	34	3.79	3.41	-	-	-	3.2	7.2	7.5	700	2550	2750	3.65	11.18	11.69	80	95	98	5.55
	22	16	-	-	-	38	4.17	3.13	-	-	-	3.2	7.3	7.5	700	2550	2750	3.65	11.18	11.69	80	95	98	5.59
	24	16	-	-	-	40	4.47	2.83	-	-	-	3.2	7.3	7.5	700	2550	2750	3.65	11.18	11.69	80	95	98	5.58
	18	18	-	-	-	36	3.60	3.60	-	-	-	3.2	7.2	7.5	700	2550	2750	3.65	11.18	11.69	80	95	98	5.52
	22	18	-	-	-	40	4.04	3.36	-	-	-	3.2	7.4	7.5	700	2550	2750	3.65	11.18	11.69	80	95	98	5.58
	24	18	-	-	-	42	4.34	3.06	-	-	-	3.2	7.4	7.5	700	2550	2750	3.65	11.18	11.69	80	95	98	5.58
	22	22	-	-	-	44	4.00	4.00	-	-	-	3.2	8.0	8.3	700	2570	2770	3.65	11.15	11.78	80	96	98	5.97
	24	22	-	-	-	46	4.34	3.66	-	-	-	3.2	8.0	8.3	700	2570	2770	3.65	11.15	11.78	80	96	98	5.96
	24	24	-	-	-	48	4.05	4.05	-	-	-	3.2	8.1	8.4	700	2600	2800	3.65	11.28	11.90	80	96	98	5.97

Specification values are those under the condition as follows ;

Cooling : Capacity test condition, inside : 27 °C (Db) / 19 °C (Wb), outside : 35 °C (Db) / 24 °C (Wb)

Piping length : 5 m. per indoor unit.

Operation mode : Cooling
 Power supply voltage : 240V

Operating status	Indoor unit					Unit capacity (kW)					Cooling capacity (kW)			Power consumption (W)			Operating current (A)			Power factor (%)			SEER			
	A	B	C	D	E	ΣkBTU	A	B	C	D	E	Min	Rate	Max	Min	Rate	Max	Min	Rate	Max	Min	Rate	Max	Min	Rate	Max
3 units	05	05	05	-	-	15	1.50	1.50	1.50	-	-	3.8	4.5	5.5	950	1840	1910	4.40	8.07	8.12	90	95	98	5.44		
	07	05	05	-	-	17	2.00	1.50	1.50	-	-	3.8	5.0	6.0	950	1930	2060	4.40	8.46	8.76	90	95	98	5.51		
	10	05	05	-	-	20	2.70	1.50	1.50	-	-	3.8	5.7	6.5	950	2040	2210	4.40	8.95	9.40	90	95	98	5.72		
	13	05	05	-	-	23	3.59	1.46	1.46	-	-	3.8	6.5	7.2	950	2300	2410	4.40	10.09	10.25	90	95	98	5.80		
	16	05	05	-	-	26	4.32	1.44	1.44	-	-	3.8	7.2	8.2	950	2400	2660	4.40	10.53	11.31	90	95	98	5.92		
	18	05	05	-	-	28	4.75	1.43	1.43	-	-	3.8	7.6	8.3	950	2410	2690	4.40	10.57	11.44	90	95	98	5.97		
	22	05	05	-	-	32	5.13	1.28	1.28	-	-	3.8	7.7	8.5	950	2410	2720	4.40	10.57	11.56	90	95	98	6.00		
	24	05	05	-	-	34	5.27	1.11	1.11	-	-	3.8	7.5	8.5	950	2410	2720	4.40	10.57	11.56	90	95	98	5.95		
	07	07	05	-	-	19	2.00	2.00	1.50	-	-	3.8	5.5	6.3	950	2010	2170	4.40	8.82	9.23	90	95	98	5.66		
	10	07	05	-	-	22	2.70	2.00	1.50	-	-	3.8	6.2	6.9	950	2120	2330	4.40	9.30	9.91	90	95	98	5.77		
	13	07	05	-	-	25	3.55	1.92	1.44	-	-	3.8	6.9	7.8	950	2400	2230	4.40	10.53	9.48	90	95	98	5.88		
	16	07	05	-	-	28	4.28	1.90	1.43	-	-	3.8	7.6	8.3	950	2410	2690	4.40	10.57	11.44	90	95	98	6.00		
	18	07	05	-	-	30	4.53	1.81	1.36	-	-	3.8	7.7	8.5	950	2410	2720	4.40	10.57	11.56	90	95	98	5.99		
	22	07	05	-	-	34	4.86	1.62	1.22	-	-	3.8	7.7	8.5	950	2410	2720	4.40	10.57	11.56	90	95	98	6.00		
	24	07	05	-	-	36	5.22	1.47	1.10	-	-	3.8	7.8	8.6	950	2430	2760	4.40	10.66	11.73	90	95	98	6.02		
	10	10	05	-	-	25	2.70	2.70	1.50	-	-	3.8	6.9	7.8	950	2400	2230	4.40	10.53	9.48	90	95	98	5.88		
	13	10	05	-	-	28	3.56	2.60	1.44	-	-	3.8	7.6	8.3	950	2410	2690	4.40	10.57	11.44	90	95	98	6.00		
	16	10	05	-	-	31	3.98	2.39	1.33	-	-	3.8	7.7	8.5	950	2410	2720	4.40	10.57	11.56	90	95	98	6.02		
	18	10	05	-	-	33	4.18	2.26	1.26	-	-	3.8	7.7	8.5	950	2410	2720	4.40	10.57	11.56	90	95	98	5.99		
	22	10	05	-	-	37	4.59	2.06	1.15	-	-	3.8	7.8	8.6	950	2430	2760	4.40	10.66	11.73	90	95	98	6.02		
	24	10	05	-	-	39	4.90	1.86	1.04	-	-	3.8	7.8	8.6	950	2430	2760	4.40	10.66	11.73	90	95	98	6.02		
	13	13	05	-	-	31	3.20	3.20	1.30	-	-	3.8	7.7	8.5	950	2410	2720	4.40	10.57	11.56	90	95	98	6.02		
	16	13	05	-	-	34	3.48	2.86	1.16	-	-	3.8	7.5	8.5	950	2410	2720	4.40	10.57	11.56	90	95	98	5.98		
	18	13	05	-	-	36	3.82	2.83	1.15	-	-	3.8	7.8	8.6	950	2430	2760	4.40	10.66	11.73	90	95	98	6.00		
	22	13	05	-	-	40	4.18	2.58	1.04	-	-	3.8	7.8	8.6	950	2430	2760	4.40	10.66	11.73	90	95	98	6.02		
	24	13	05	-	-	42	4.50	2.35	0.95	-	-	3.8	7.8	8.6	950	2430	2760	4.40	10.66	11.73	90	95	98	6.02		
	16	16	05	-	-	37	3.34	3.34	1.11	-	-	3.8	7.8	8.6	950	2430	2760	4.40	10.66	11.73	90	95	98	6.02		
	18	16	05	-	-	39	3.55	3.19	1.06	-	-	3.8	7.8	8.6	950	2430	2760	4.40	10.66	11.73	90	95	98	6.00		
	22	16	05	-	-	43	3.95	2.96	0.99	-	-	3.8	7.9	8.7	950	2440	2780	4.40	10.70	11.82	90	95	98	6.04		
	24	16	05	-	-	45	4.28	2.71	0.90	-	-	3.8	7.9	8.7	950	2440	2780	4.40	10.70	11.82	90	95	98	6.04		
	18	18	05	-	-	41	3.39	3.39	1.02	-	-	3.8	7.8	8.6	950	2430	2760	4.40	10.66	11.73	90	95	98	5.97		
	22	18	05	-	-	45	3.79	3.16	0.95	-	-	3.8	7.9	8.7	950	2440	2780	4.40	10.70	11.82	90	95	98	6.02		
	24	18	05	-	-	47	4.12	2.90	0.87	-	-	3.8	7.9	8.7	950	2440	2780	4.40	10.70	11.82	90	95	98	6.01		
	22	22	05	-	-	49	3.51	3.51	0.88	-	-	3.8	7.9	8.7	950	2440	2780	4.40	10.70	11.82	90	95	98	6.04		
	24	22	05	-	-	51	3.89	3.29	0.82	-	-	3.8	8.0	8.8	950	2450	2810	4.40	10.75	11.95	90	95	98	6.12		
	24	24	05	-	-	53	3.62	3.62	0.76	-	-	3.8	8.0	8.9	950	2450	2830	4.40	10.75	12.03	90	95	98	6.12		
	07	07	07	-	-	21	2.00	2.00	2.00	-	-	3.8	6.0	7.5	950	2100	2500	4.40	9.21	10.63	90	95	98	5.72		
	10	07	07	-	-	24	2.70	2.00	2.00	-	-	3.8	6.7	8.2	950	2400	2660	4.40	10.53	11.31	90	95	98	5.83		
	13	07	07	-	-	27	3.65	1.97	1.97	-	-	3.9	7.6	8.3	960	2410	2690	4.44	10.57	11.44	90	95	98	5.84		
	16	07	07	-	-	30	4.08	1.81	1.81	-	-	4.0	7.7	8.5	960	2410	2720	4.44	10.57	11.56	90	95	98	5.83		
	18	07	07	-	-	32	4.28	1.71	1.71	-	-	4.0	7.7	8.5	960	2410	2720	4.44	10.57	11.56	90	95	98	5.81		
	22	07	07	-	-	36	4.68	1.56	1.56	-	-	4.1	7.8	8.6	970	2430	2760	4.49	10.66	11.73	90	95	98	6.04		
	24	07	07	-	-	38	4.99	1.41	1.41	-	-	4.1	7.8	8.6	970	2430	2760	4.49	10.66	11.73	90	95	98	6.03		
	10	10	07	-	-	27	2.70	2.70	2.00	-	-	3.8	7.4	8.2	950	2400	2660	4.40	10.53	11.31	90	95	98	5.62		
	13	10	07	-	-	30	3.39	2.48	1.83	-	-	3.9	7.7	8.3	960	2410	2690	4.44	10.57	11.44	90	95	98	5.83		
	16	10	07	-	-	33	3.77	2.26	1.67	-	-	4.0	7.7	8.5	960	2410	2720	4.44	10.57	11.56	90	95	98	5.83		
	18	10	07	-	-	35	3.97	2.14	1.59	-	-	4.0	7.7	8.5	960	2410	2720	4.44	10.57	11.56	90	95	98	5.81		
	22	10	07	-	-	39	4.37	1.97	1.46	-	-	4.1	7.8	8.6	970	2430	2760	4.49	10.66	11.73	90	95	98	6.04		
24	10	07	-	-	41	4.69	1.78	1.32	-	-	4.1	7.8	8.6	970	2430	2760	4.49	10.66	11.73	90	95	98	6.03			
13	13	07	-	-	33	3.03	3.03	1.64	-	-	4.0	7.7	8.5	960	2410	2720	4.44	10.57	11.56	90	95	98	5.83			
16	13	07	-	-	36	3.44	2.83	1.53	-	-	4.1	7.8	8.6	970	2430	2760	4.49	10.66	11.73	90	95	98	5.83			
18	13	07	-	-	38	3.64	2.70	1.46	-	-	4.1	7.8	8.6	970	2430	2760	4.49	10.66	11.73	90	95	98	5.80			
22	13	07	-	-	42	4.00	2.47	1.33	-	-	4.1	7.8	8.6	970	2430	2760	4.49	10.66	11.73	90	95	98	6.04			
24	13	07	-	-	44	4.38	2.28	1.23	-	-	4.1	7.9	8.7	970	2440	2780	4.49	10.70	11.82	90	95	98	6.04			
16	16	07	-	-	39	3.19	3.19	1.42	-	-	4.1	7.8	8.6	970	2430	2760	4.49	10.66	11.73	90	95	98	5.94			
18	16	07	-	-	41	3.39	3.05	1.36	-	-	4.1	7.8	8.6	970	2430	2760	4.49	10.66	11.73	90	95	98	6.01			
22	16	07	-	-	45	3.79	2.84	1.26	-	-	4.1	7.9	8.7	970	2440	2780	4.49	10.70	11.82	90	95	98	6.04			
24	16	07	-	-	47	4.12	2.61	1.16	-	-	4.1	7.9	8.7	970	2440	2780	4.49	10.70	11.82	90	95	98	6.04			
18	18	07	-	-	43	3.29	3.29	1.32	-	-	4.1	7.9	8.7	970	2440	2780	4.49	10.70	11.82	90	95	98	5.99			
22	18	07	-	-	47	3.65	3.04	1.22	-	-	4.1	7.9	8.7	970	2440	2780	4.49	10.70	11.82	90	95	98	6.02			
24	18	07	-	-	49	3.98	2.80	1.12	-	-	4.1	7.9	8.7	970	2440	2780	4.49	10.70	11.82	90	95	98	6.01			
22	22	07	-	-	51	3.43	3.43	1.14	-	-	4.1	8.0	8.8	970	2440	2810	4.49	10.70	11.95	90	95	98	6.13			
24	22	07	-	-	53	3.81	3.22	1.07	-	-	4.1	8.1	8.9	970	2440	2830	4.49	10.70	12.03	90	95	98	6.05			
24	24	07																								

Operation mode : Cooling

Power supply voltage : 240V

Operating status	Indoor unit					Unit capacity (kW)					Cooling capacity (kW)			Power consumption (W)			Operating current (A)			Power factor (%)			SEER	
	A	B	C	D	E	ΣkBTU	A	B	C	D	E	Min	Rate	Max	Min	Rate	Max	Min	Rate	Max	Min	Rate		Max
3 units	18	16	13	-	-	47	2.99	2.69	2.21	-	-	4.1	7.9	8.7	970	2440	2830	4.49	10.70	12.03	90	95	98	6.02
	22	16	13	-	-	51	3.38	2.54	2.08	-	-	4.3	8.0	9.0	980	2450	2900	4.54	10.75	12.33	90	95	98	6.06
	24	16	13	-	-	53	3.71	2.35	1.93	-	-	4.3	8.0	9.0	980	2450	2900	4.54	10.75	12.33	90	95	98	6.06
	18	18	13	-	-	49	2.88	2.88	2.13	-	-	4.1	7.9	8.7	970	2440	2830	4.49	10.70	12.03	90	95	98	5.99
	22	18	13	-	-	53	3.31	2.76	2.04	-	-	4.1	8.1	9.0	970	2440	2900	4.49	10.70	12.33	90	95	98	6.04
24	18	13	-	-	55	3.64	2.56	1.90	-	-	4.1	8.1	9.0	970	2440	2900	4.49	10.70	12.33	90	95	98	6.04	
16	16	16	-	-	48	2.67	2.67	2.67	-	-	4.3	8.0	9.0	980	2450	2900	4.54	10.75	12.33	90	95	98	6.06	

Specification values are those under the condition as follows ;

Cooling : Capacity test condition, inside : 27 °C (Db) / 19 °C (Wb), outside : 35 °C (Db) / 24 °C (Wb)

Piping length : 5 m. per indoor unit.

Operation mode : Cooling

Power supply voltage : 240V

Operating status	Indoor unit						Unit capacity (kW)					Cooling capacity (kW)			Power consumption (W)			Operating current (A)			Power factor (%)			SEER
	A	B	C	D	E	ΣkBTU	A	B	C	D	E	Min	Rate	Max	Min	Rate	Max	Min	Rate	Max	Min	Rate	Max	
4 units	05	05	05	05	-	20	1.50	1.50	1.50	1.50	-	4.0	6.0	7.0	930	1840	2270	4.31	8.07	9.65	90	95	98	5.71
	07	05	05	05	-	22	2.00	1.50	1.50	1.50	-	4.0	6.5	7.4	930	2020	2400	4.31	8.86	10.20	90	95	98	5.81
	10	05	05	05	-	25	2.70	1.50	1.50	1.50	-	4.0	7.2	8.0	930	2250	2580	4.31	9.87	10.97	90	95	98	5.89
	13	05	05	05	-	28	3.61	1.46	1.46	1.46	-	4.0	8.0	8.7	930	2500	2800	4.31	10.96	11.90	90	95	98	5.96
	16	05	05	05	-	31	4.20	1.40	1.40	1.40	-	4.0	8.4	8.8	930	2710	2820	4.31	11.89	11.99	90	95	98	6.00
	18	05	05	05	-	33	4.47	1.34	1.34	1.34	-	4.0	8.5	8.9	930	2720	2840	4.31	11.93	12.07	90	95	98	6.00
	22	05	05	05	-	37	4.97	1.24	1.24	1.24	-	4.0	8.7	9.1	930	2720	2850	4.31	11.93	12.12	90	95	98	6.06
	24	05	05	05	-	39	5.39	1.14	1.14	1.14	-	4.0	8.8	9.2	930	2730	2880	4.31	11.97	12.24	90	95	98	6.07
	07	07	05	05	-	24	2.00	2.00	1.50	1.50	-	4.0	7.0	7.9	930	2200	2540	4.31	9.65	10.80	90	95	98	5.85
	10	07	05	05	-	27	2.74	2.03	1.52	1.52	-	4.0	7.8	8.5	930	2460	2730	4.31	10.79	11.61	90	95	98	5.94
	13	07	05	05	-	30	3.53	1.91	1.43	1.43	-	4.0	8.3	8.8	930	2660	2810	4.31	11.67	11.95	90	95	98	5.99
	16	07	05	05	-	33	4.03	1.79	1.34	1.34	-	4.0	8.5	8.9	930	2720	2840	4.31	11.93	12.07	90	95	98	6.02
	18	07	05	05	-	35	4.30	1.72	1.29	1.29	-	4.0	8.6	9.0	930	2720	2850	4.31	11.93	12.12	90	95	98	6.02
	22	07	05	05	-	39	4.80	1.60	1.20	1.20	-	4.0	8.8	9.2	930	2730	2880	4.31	11.97	12.24	90	95	98	6.08
	24	07	05	05	-	41	5.22	1.47	1.10	1.10	-	4.0	8.9	9.3	930	2730	2880	4.31	11.97	12.24	90	95	98	6.09
	10	10	05	05	-	30	2.67	2.67	1.48	1.48	-	4.0	8.3	8.8	930	2660	2810	4.31	11.67	11.95	90	95	98	5.99
	13	10	05	05	-	33	3.35	2.44	1.36	1.36	-	4.0	8.5	8.9	930	2720	2840	4.31	11.93	12.07	90	95	98	6.02
	16	10	05	05	-	36	3.84	2.30	1.28	1.28	-	4.0	8.7	9.1	930	2720	2850	4.31	11.93	12.12	90	95	98	6.06
	18	10	05	05	-	38	4.11	2.22	1.23	1.23	-	4.0	8.8	9.2	930	2730	2870	4.31	11.97	12.20	90	95	98	6.06
	22	10	05	05	-	42	4.56	2.05	1.14	1.14	-	4.0	8.9	9.3	930	2730	2880	4.31	11.97	12.24	90	95	98	6.10
	24	10	05	05	-	44	4.99	1.90	1.05	1.05	-	4.0	9.0	9.4	930	2740	2900	4.31	12.02	12.33	90	95	98	6.11
	13	13	05	05	-	36	3.10	3.10	1.25	1.25	-	4.0	8.7	9.1	930	2720	2850	4.31	11.93	12.12	90	95	98	6.06
	16	13	05	05	-	39	3.54	2.91	1.18	1.18	-	4.0	8.8	9.2	930	2730	2880	4.31	11.97	12.24	90	95	98	6.08
	18	13	05	05	-	41	3.80	2.81	1.14	1.14	-	4.0	8.9	9.3	930	2730	2880	4.31	11.97	12.24	90	95	98	6.07
	22	13	05	05	-	45	4.25	2.62	1.06	1.06	-	4.0	9.0	9.4	930	2740	2900	4.31	12.02	12.33	90	95	98	6.11
	24	13	05	05	-	47	4.63	2.41	0.98	0.98	-	4.0	9.0	9.4	930	2740	2900	4.31	12.02	12.33	90	95	98	6.11
	16	16	05	05	-	42	3.34	3.34	1.11	1.11	-	4.0	8.9	9.3	930	2730	2880	4.31	11.97	12.24	90	95	98	6.10
	18	16	05	05	-	44	3.60	3.24	1.08	1.08	-	4.0	9.0	9.4	930	2740	2900	4.31	12.02	12.33	90	95	98	6.09
	22	16	05	05	-	48	4.00	3.00	1.00	1.00	-	4.0	9.0	9.4	930	2740	2900	4.31	12.02	12.33	90	95	98	6.11
	24	16	05	05	-	50	4.38	2.77	0.92	0.92	-	4.0	9.0	9.4	930	2740	2900	4.31	12.02	12.33	90	95	98	6.11
	18	18	05	05	-	46	3.46	3.46	1.04	1.04	-	4.0	9.0	9.4	930	2740	2900	4.31	12.02	12.33	90	95	98	6.07
	22	18	05	05	-	50	3.86	3.21	0.96	0.96	-	4.0	9.0	9.4	930	2740	2900	4.31	12.02	12.33	90	95	98	6.09
	24	18	05	05	-	52	4.23	2.98	0.89	0.89	-	4.0	9.0	9.4	930	2740	2900	4.31	12.02	12.33	90	95	98	6.09
	22	22	05	05	-	54	3.60	3.60	0.90	0.90	-	4.0	9.0	9.4	930	2740	2900	4.31	12.02	12.33	90	95	98	6.11
	07	07	07	05	-	26	2.00	2.00	1.50	1.50	-	4.0	7.5	8.3	930	2370	2670	4.31	10.39	11.35	90	95	98	5.89
	10	07	07	05	-	29	2.67	1.98	1.48	1.48	-	4.0	8.1	8.7	930	2600	2810	4.31	11.40	11.95	90	95	98	5.96
	13	07	07	05	-	32	3.42	1.85	1.85	1.39	-	4.0	8.5	8.9	930	2710	2830	4.31	11.89	12.03	90	95	98	6.02
	16	07	07	05	-	35	3.87	1.72	1.72	1.29	-	4.0	8.6	9.0	930	2720	2850	4.31	11.93	12.12	90	95	98	6.04
	18	07	07	05	-	37	4.14	1.66	1.66	1.24	-	4.0	8.7	9.1	930	2720	2850	4.31	11.93	12.12	90	95	98	6.04
	22	07	07	05	-	41	4.64	1.55	1.55	1.16	-	4.0	8.9	9.3	930	2730	2880	4.31	11.97	12.24	90	95	98	6.10
	24	07	07	05	-	43	5.07	1.43	1.43	1.07	-	4.0	9.0	9.4	930	2740	2900	4.31	12.02	12.33	90	95	98	6.11
	10	10	07	05	-	32	2.58	2.58	1.91	1.43	-	4.0	8.5	8.9	930	2710	2830	4.31	11.89	12.03	90	95	98	6.02
	13	10	07	05	-	35	3.21	2.35	1.74	1.30	-	4.0	8.6	9.0	930	2720	2850	4.31	11.93	12.12	90	95	98	6.04
	16	10	07	05	-	38	3.70	2.22	1.64	1.23	-	4.0	8.8	9.2	930	2730	2870	4.31	11.97	12.20	90	95	98	6.08
18	10	07	05	-	40	3.93	2.12	1.57	1.18	-	4.0	8.8	9.2	930	2730	2880	4.31	11.97	12.24	90	95	98	6.06	
22	10	07	05	-	44	4.43	1.99	1.48	1.11	-	4.0	9.0	9.4	930	2740	2900	4.31	12.02	12.33	90	95	98	6.11	
24	10	07	05	-	46	4.80	1.83	1.35	1.02	-	4.0	9.0	9.4	930	2740	2900	4.31	12.02	12.33	90	95	98	6.11	
13	13	07	05	-	38	2.99	2.99	1.61	1.21	-	4.0	8.8	9.2	930	2730	2870	4.31	11.97	12.20	90	95	98	6.08	
16	13	07	05	-	41	3.42	2.81	1.52	1.14	-	4.0	8.9	9.3	930	2730	2880	4.31	11.97	12.24	90	95	98	6.10	
18	13	07	05	-	43	3.69	2.73	1.48	1.11	-	4.0	9.0	9.4	930	2740	2900	4.31	12.02	12.33	90	95	98	6.09	
22	13	07	05	-	47	4.09	2.52	1.36	1.02	-	4.0	9.0	9.4	930	2740	2900	4.31	12.02	12.33	90	95	98	6.11	
24	13	07	05	-	49	4.47	2.33	1.26	0.94	-	4.0	9.0	9.4	930	2740	2900	4.31	12.02	12.33	90	95	98	6.11	
16	16	07	05	-	44	3.24	3.24	1.44	1.08	-	4.0	9.0	9.4	930	2740	2900	4.31	12.02	12.33	90	95	98	6.12	
18	16	07	05	-	46	3.46	3.12	1.38	1.04	-	4.0	9.0	9.4	930	2740	2900	4.31	12.02	12.33	90	95	98	6.09	
22	16	07	05	-	50	3.86	2.89	1.29	0.96	-	4.0	9.0	9.4	930	2740	2900	4.31	12.02	12.33	90	95	98	6.11	
18	18	07	05	-	48	3.33	3.33	1.33	1.00	-	4.0	9.0	9.4	930	2740	2900	4.31	12.02	12.33	90	95	98	6.07	
22	18	07	05	-	52	3.72	3.10	1.24	0.93	-	4.0	9.0	9.4	930	2740	2900	4.31	12.02	12.33	90	95	98	6.09	
10	10	10	05	-	35	2.42	2.42	2.42	1.34	-	4.0	8.6	9.0	930	2720	2850	4.31	11.93	12.12	90	95	98	6.04	
13	10	10	05	-	38	3.07	2.24	2.24	1.25	-	4.0	8.8	9.2	930	2730	2870	4.31	11.97	12.20	90	95	98	6.08	
16	10	10	05	-	41	3.51	2.11	2.11	1.17	-	4.0	8.9	9.3	930	2730	2880	4.31	11.97	12.24	90	95	98	6.10	
18	10	10	05	-	43	3.78	2.04	2.04	1.13	-	4.0	9.0	9.4	930	2740	2900	4.31	12.02	12.33	90	95	98	6.09	
22	10	10																						

Operation mode : Cooling

Power supply voltage : 240V

Operating status	Indoor unit					Unit capacity (kW)					Cooling capacity (kW)			Power consumption (W)			Operating current (A)			Power factor (%)			SEER	
	A	B	C	D	E	ΣkBTU	A	B	C	D	E	Min	Rate	Max	Min	Rate	Max	Min	Rate	Max	Min	Rate		Max
4 units	24	13	07	07	-	51	4.32	2.25	1.22	1.22	-	4.2	9.0	9.4	950	2740	2900	4.40	12.02	12.33	90	95	98	6.11
	16	16	07	07	-	46	3.12	3.12	1.38	1.38	-	4.2	9.0	9.4	950	2740	2900	4.40	12.02	12.33	90	95	98	6.12
	18	16	07	07	-	48	3.33	3.00	1.33	1.33	-	4.2	9.0	9.4	950	2740	2900	4.40	12.02	12.33	90	95	98	6.09
	22	16	07	07	-	52	3.72	2.79	1.24	1.24	-	4.2	9.0	9.4	950	2740	2900	4.40	12.02	12.33	90	95	98	6.11
	24	16	07	07	-	54	4.10	2.60	1.15	1.15	-	4.2	9.0	9.4	950	2740	2900	4.40	12.02	12.33	90	95	98	6.11
	18	18	07	07	-	50	3.21	3.21	1.29	1.29	-	4.2	9.0	9.4	950	2740	2900	4.40	12.02	12.33	90	95	98	6.07
	22	18	07	07	-	54	3.60	3.00	1.20	1.20	-	4.2	9.0	9.4	950	2740	2900	4.40	12.02	12.33	90	95	98	6.09
	24	18	07	07	-	56	3.97	2.80	1.12	1.12	-	4.2	9.0	9.4	950	2740	2900	4.40	12.02	12.33	90	95	98	6.09
	10	10	10	07	-	37	2.30	2.30	2.30	1.70	-	4.1	8.6	9.0	940	2720	2850	4.35	11.93	12.12	90	95	98	6.04
	13	10	10	07	-	40	2.93	2.14	2.14	1.59	-	4.1	8.8	9.2	940	2730	2880	4.35	11.97	12.24	90	95	98	6.08
	16	10	10	07	-	43	3.37	2.02	2.02	1.50	-	4.1	8.9	9.3	940	2730	2880	4.35	11.97	12.24	90	95	98	6.10
	18	10	10	07	-	45	3.63	1.96	1.96	1.45	-	4.2	9.0	9.4	950	2740	2900	4.40	12.02	12.33	90	95	98	6.09
	22	10	10	07	-	49	4.03	1.81	1.81	1.34	-	4.2	9.0	9.4	950	2740	2900	4.40	12.02	12.33	90	95	98	6.11
	24	10	10	07	-	51	4.41	1.68	1.68	1.24	-	4.2	9.0	9.4	950	2740	2900	4.40	12.02	12.33	90	95	98	6.11
	13	13	10	07	-	43	2.75	2.75	2.01	1.49	-	4.2	9.0	9.4	950	2740	2900	4.40	12.02	12.33	90	95	98	6.12
	16	13	10	07	-	46	3.14	2.58	1.88	1.40	-	4.2	9.0	9.4	950	2740	2900	4.40	12.02	12.33	90	95	98	6.12
	18	13	10	07	-	48	3.36	2.49	1.81	1.34	-	4.2	9.0	9.4	950	2740	2900	4.40	12.02	12.33	90	95	98	6.09
	22	13	10	07	-	52	3.75	2.31	1.69	1.25	-	4.2	9.0	9.4	950	2740	2900	4.40	12.02	12.33	90	95	98	6.11
	24	13	10	07	-	54	4.12	2.15	1.57	1.16	-	4.2	9.0	9.4	950	2740	2900	4.40	12.02	12.33	90	95	98	6.11
	16	16	10	07	-	49	2.96	2.96	1.77	1.31	-	4.2	9.0	9.4	950	2740	2900	4.40	12.02	12.33	90	95	98	6.12
	18	16	10	07	-	51	3.17	2.85	1.71	1.27	-	4.2	9.0	9.4	950	2740	2900	4.40	12.02	12.33	90	95	98	6.09
	22	16	10	07	-	55	3.55	2.66	1.60	1.18	-	4.2	9.0	9.4	950	2740	2900	4.40	12.02	12.33	90	95	98	6.11
	24	16	10	07	-	57	3.92	2.48	1.49	1.10	-	4.2	9.0	9.4	950	2740	2900	4.40	12.02	12.33	90	95	98	6.11
	18	18	10	07	-	53	3.06	3.06	1.65	1.22	-	4.2	9.0	9.4	950	2740	2900	4.40	12.02	12.33	90	95	98	6.07
	22	18	10	07	-	57	3.44	2.87	1.55	1.15	-	4.2	9.0	9.4	950	2740	2900	4.40	12.02	12.33	90	95	98	6.09
	24	18	10	07	-	59	3.80	2.68	1.45	1.07	-	4.2	9.0	9.4	950	2740	2900	4.40	12.02	12.33	90	95	98	6.09
	13	13	13	07	-	46	2.54	2.54	2.54	1.37	-	4.2	9.0	9.4	950	2740	2900	4.40	12.02	12.33	90	95	98	6.12
	16	13	13	07	-	49	2.91	2.40	2.40	1.29	-	4.2	9.0	9.4	950	2740	2900	4.40	12.02	12.33	90	95	98	6.12
	18	13	13	07	-	51	3.13	2.31	2.31	1.25	-	4.2	9.0	9.4	950	2740	2900	4.40	12.02	12.33	90	95	98	6.09
	22	13	13	07	-	55	3.51	2.16	2.16	1.17	-	4.2	9.0	9.4	950	2740	2900	4.40	12.02	12.33	90	95	98	6.11
	24	13	13	07	-	57	3.87	2.02	2.02	1.09	-	4.2	9.0	9.4	950	2740	2900	4.40	12.02	12.33	90	95	98	6.11
	16	16	13	07	-	52	2.76	2.76	2.27	1.22	-	4.2	9.0	9.4	950	2740	2900	4.40	12.02	12.33	90	95	98	6.12
	18	16	13	07	-	54	2.96	2.66	2.19	1.18	-	4.2	9.0	9.4	950	2740	2900	4.40	12.02	12.33	90	95	98	6.09
	22	16	13	07	-	58	3.33	2.50	2.06	1.11	-	4.2	9.0	9.4	950	2740	2900	4.40	12.02	12.33	90	95	98	6.11
	24	16	13	07	-	60	3.69	2.34	1.92	1.04	-	4.2	9.0	9.4	950	2740	2900	4.40	12.02	12.33	90	95	98	6.11
	18	18	13	07	-	56	2.87	2.87	2.12	1.15	-	4.2	9.0	9.4	950	2740	2900	4.40	12.02	12.33	90	95	98	6.07
	22	18	13	07	-	60	3.23	2.69	1.99	1.08	-	4.2	9.0	9.4	950	2740	2900	4.40	12.02	12.33	90	95	98	6.09
	24	18	13	07	-	62	3.59	2.53	1.87	1.01	-	4.2	9.0	9.4	950	2740	2900	4.40	12.02	12.33	90	95	98	6.09
	10	10	10	10	-	40	2.18	2.18	2.18	2.18	-	4.1	8.7	9.1	940	2720	2850	4.35	11.93	12.12	90	95	98	6.06
	13	10	10	10	-	43	2.79	2.04	2.04	2.04	-	4.1	8.9	9.3	940	2730	2880	4.35	11.97	12.24	90	95	98	6.10
	16	10	10	10	-	46	3.21	1.93	1.93	1.93	-	4.2	9.0	9.4	950	2740	2900	4.40	12.02	12.33	90	95	98	6.12
	18	10	10	10	-	48	3.44	1.85	1.85	1.85	-	4.2	9.0	9.4	950	2740	2900	4.40	12.02	12.33	90	95	98	6.09
	22	10	10	10	-	52	3.83	1.72	1.72	1.72	-	4.2	9.0	9.4	950	2740	2900	4.40	12.02	12.33	90	95	98	6.11
	24	10	10	10	-	54	4.20	1.60	1.60	1.60	-	4.2	9.0	9.4	950	2740	2900	4.40	12.02	12.33	90	95	98	6.11
	13	13	10	10	-	46	2.60	2.60	1.90	1.90	-	4.2	9.0	9.4	950	2740	2900	4.40	12.02	12.33	90	95	98	6.12
	16	13	10	10	-	49	2.98	2.45	1.79	1.79	-	4.2	9.0	9.4	950	2740	2900	4.40	12.02	12.33	90	95	98	6.12
	18	13	10	10	-	51	3.19	2.36	1.72	1.72	-	4.2	9.0	9.4	950	2740	2900	4.40	12.02	12.33	90	95	98	6.09
	22	13	10	10	-	55	3.58	2.21	1.61	1.61	-	4.2	9.0	9.4	950	2740	2900	4.40	12.02	12.33	90	95	98	6.11
	24	13	10	10	-	57	3.94	2.06	1.50	1.50	-	4.2	9.0	9.4	950	2740	2900	4.40	12.02	12.33	90	95	98	6.11
	16	16	10	10	-	52	2.81	2.81	1.69	1.69	-	4.2	9.0	9.4	950	2740	2900	4.40	12.02	12.33	90	95	98	6.12
	18	16	10	10	-	54	3.02	2.72	1.63	1.63	-	4.2	9.0	9.4	950	2740	2900	4.40	12.02	12.33	90	95	98	6.09
	22	16	10	10	-	58	3.40	2.55	1.53	1.53	-	4.2	9.0	9.4	950	2740	2900	4.40	12.02	12.33	90	95	98	6.11
	24	16	10	10	-	60	3.76	2.38	1.43	1.43	-	4.2	9.0	9.4	950	2740	2900	4.40	12.02	12.33	90	95	98	6.11
	18	18	10	10	-	56	2.92	2.92	1.58	1.58	-	4.2	9.0	9.4	950	2740	2900	4.40	12.02	12.33	90	95	98	6.07
	22	18	10	10	-	60	3.29	2.74	1.48	1.48	-	4.2	9.0	9.4	950	2740	2900	4.40	12.02	12.33	90	95	98	6.09
	24	18	10	10	-	62	3.65	2.57	1.39	1.39	-	4.2	9.0	9.4	950	2740	2900	4.40	12.02	12.33	90	95	98	6.09
	13	13	13	10	-	49	2.41	2.41	2.41	1.76	-	4.2	9.0	9.4	950	2740	2900	4.40	12.02	12.33	90	95	98	6.12
	16	13	13	10	-	52	2.77	2.28	2.28	1.66	-	4.2	9.0	9.4	950	2740	2900	4.40	12.02	12.33	90	95	98	6.12
	18	13	13	10	-	54	2.98	2.21	2.21	1.61	-	4.2	9.0	9.4	950	2740	2900	4.40	12.02	12.33	90	95	98	6.09
	22	13	13	10	-	58	3.35	2.07	2.07	1.51	-	4.2	9.0	9.4	950	2740	2900	4.40	12.02	12.33	90	95	98	6.11
	24	13	13	10	-	60	3.72	1.94	1.94	1.41	-	4.2	9.0	9.4	950	2740	2900	4.40	12.02	12.33	90	95	98	6.1

Operation mode : Cooling

Power supply voltage : 240V

Operating status	Indoor unit					Unit capacity (kW)					Cooling capacity (kW)			Power consumption (W)			Operating current (A)			Power factor (%)			SEER	
	A	B	C	D	E	ΣkBTU	A	B	C	D	E	Min	Rate	Max	Min	Rate	Max	Min	Rate	Max	Min	Rate		Max
5 units	05	05	05	05	05	25	1.50	1.50	1.50	1.50	1.50	3.7	7.5	8.5	950	2300	2510	4.40	10.09	10.67	90	95	98	5.91
	07	05	05	05	05	27	2.00	1.50	1.50	1.50	1.50	3.7	8.0	8.7	950	2400	2580	4.40	10.53	10.97	90	95	98	6.08
	10	05	05	05	05	30	2.70	1.50	1.50	1.50	1.50	3.7	8.7	9.1	950	2600	2740	4.40	11.40	11.65	90	95	98	6.17
	13	05	05	05	05	33	3.70	1.50	1.50	1.50	1.50	3.7	9.7	10.7	950	2850	3380	4.40	12.50	14.37	90	95	98	6.35
	16	05	05	05	05	36	4.24	1.41	1.41	1.41	1.41	3.7	9.9	11.0	950	2946	3670	4.40	12.92	15.60	90	95	98	6.29
	18	05	05	05	05	38	4.50	1.35	1.35	1.35	1.35	3.7	9.9	11.0	950	2946	3670	4.40	12.92	15.60	90	95	98	6.27
	07	07	05	05	05	29	2.00	2.00	1.50	1.50	1.50	3.7	8.5	9.5	950	2600	2890	4.40	11.40	12.29	90	95	98	6.03
	10	07	05	05	05	32	2.70	2.00	1.50	1.50	1.50	3.7	9.2	10.2	950	2800	3170	4.40	12.28	13.48	90	95	98	6.12
	13	07	05	05	05	35	3.59	1.94	1.46	1.46	1.46	3.7	9.9	11.0	950	2946	3670	4.40	12.92	15.60	90	95	98	6.29
	16	07	05	05	05	38	4.05	1.80	1.35	1.35	1.35	3.7	9.9	11.0	950	2946	3670	4.40	12.92	15.60	90	95	98	6.29
	18	07	05	05	05	40	4.30	1.72	1.29	1.29	1.29	3.7	9.9	11.0	950	2946	3670	4.40	12.92	15.60	90	95	98	6.27
	10	10	05	05	05	35	2.70	2.70	1.50	1.50	1.50	3.7	9.9	10.9	950	2946	3470	4.40	12.92	14.75	90	95	98	6.29
	13	10	05	05	05	38	3.36	2.45	1.36	1.36	1.36	3.7	9.9	11.0	950	2946	3670	4.40	12.92	15.60	90	95	98	6.29
	16	10	05	05	05	41	3.81	2.28	1.27	1.27	1.27	3.7	9.9	11.0	950	2946	3670	4.40	12.92	15.60	90	95	98	6.29
	18	10	05	05	05	43	4.06	2.19	1.22	1.22	1.22	3.7	9.9	11.0	950	2946	3670	4.40	12.92	15.60	90	95	98	6.27
	13	13	05	05	05	41	3.08	3.08	1.25	1.25	1.25	3.7	9.9	11.0	950	2946	3670	4.40	12.92	15.60	90	95	98	6.29
	16	13	05	05	05	44	3.51	2.88	1.17	1.17	1.17	3.7	9.9	11.0	950	2946	3670	4.40	12.92	15.60	90	95	98	6.29
	18	13	05	05	05	46	3.75	2.78	1.13	1.13	1.13	3.7	9.9	11.0	950	2946	3670	4.40	12.92	15.60	90	95	98	6.27
	16	16	05	05	05	47	3.30	3.30	1.10	1.10	1.10	3.7	9.9	11.0	950	2946	3670	4.40	12.92	15.60	90	95	98	6.29
	18	16	05	05	05	49	3.54	3.18	1.06	1.06	1.06	3.7	9.9	11.0	950	2946	3670	4.40	12.92	15.60	90	95	98	6.27
	18	18	05	05	05	51	3.41	3.41	1.02	1.02	1.02	3.7	9.9	11.0	950	2946	3670	4.40	12.92	15.60	90	95	98	6.25
	07	07	07	05	05	31	2.00	2.00	2.00	1.50	1.50	3.7	9.0	10.0	950	2750	3090	4.40	12.06	13.14	90	95	98	6.08
	10	07	07	05	05	34	2.70	2.00	2.00	1.50	1.50	3.7	9.7	10.7	950	2850	3380	4.40	12.50	14.37	90	95	98	6.35
	13	07	07	05	05	37	3.42	1.85	1.85	1.39	1.39	3.7	9.9	11.0	950	2946	3670	4.40	12.92	15.60	90	95	98	6.29
	16	07	07	05	05	40	3.87	1.72	1.72	1.29	1.29	3.7	9.9	11.0	950	2946	3670	4.40	12.92	15.60	90	95	98	6.29
	18	07	07	05	05	42	4.13	1.65	1.65	1.24	1.24	3.7	9.9	11.0	950	2946	3670	4.40	12.92	15.60	90	95	98	6.27
	10	10	07	05	05	37	2.57	2.57	1.90	1.43	1.43	3.7	9.9	11.0	950	2946	2800	4.40	12.92	11.90	90	95	98	6.29
	13	10	07	05	05	40	3.21	2.34	1.74	1.30	1.30	3.7	9.9	11.0	950	2946	3670	4.40	12.92	15.60	90	95	98	6.29
	16	10	07	05	05	43	3.65	2.19	1.62	1.22	1.22	3.7	9.9	11.0	950	2946	3670	4.40	12.92	15.60	90	95	98	6.29
	18	10	07	05	05	45	3.90	2.10	1.56	1.17	1.17	3.7	9.9	11.0	950	2946	3670	4.40	12.92	15.60	90	95	98	6.27
	13	13	07	05	05	43	2.95	2.95	1.60	1.20	1.20	3.7	9.9	11.0	950	2946	3670	4.40	12.92	15.60	90	95	98	6.29
	16	13	07	05	05	46	3.38	2.78	1.50	1.13	1.13	3.7	9.9	11.0	950	2946	3670	4.40	12.92	15.60	90	95	98	6.29
	18	13	07	05	05	48	3.61	2.67	1.45	1.08	1.08	3.7	9.9	11.0	950	2946	3670	4.40	12.92	15.60	90	95	98	6.27
	16	16	07	05	05	49	3.18	3.18	1.41	1.06	1.06	3.7	9.9	11.0	950	2946	3670	4.40	12.92	15.60	90	95	98	6.29
	18	16	07	05	05	51	3.41	3.07	1.37	1.02	1.02	3.7	9.9	11.0	950	2946	3670	4.40	12.92	15.60	90	95	98	6.27
	10	10	10	05	05	40	2.41	2.41	2.41	1.34	1.34	3.7	9.9	11.0	950	2946	3670	4.40	12.92	15.60	90	95	98	6.29
	13	10	10	05	05	43	3.03	2.21	2.21	1.23	1.23	3.7	9.9	11.0	950	2946	3670	4.40	12.92	15.60	90	95	98	6.29
	16	10	10	05	05	46	3.45	2.07	2.07	1.15	1.15	3.7	9.9	11.0	950	2946	3670	4.40	12.92	15.60	90	95	98	6.29
	18	10	10	05	05	48	3.69	1.99	1.99	1.11	1.11	3.7	9.9	11.0	950	2946	3670	4.40	12.92	15.60	90	95	98	6.27
	13	13	10	05	05	46	2.80	2.80	2.04	1.13	1.13	3.7	9.9	11.0	950	2946	3670	4.40	12.92	15.60	90	95	98	6.29
	07	07	07	07	05	33	2.00	2.00	2.00	2.00	1.50	3.7	9.5	10.5	950	2800	3300	4.40	12.28	14.03	90	95	98	6.32
	10	07	07	07	05	36	2.62	1.94	1.94	1.94	1.46	3.7	9.9	11.0	950	2946	3670	4.40	12.92	15.60	90	95	98	6.29
	13	07	07	07	05	39	3.27	1.77	1.77	1.77	1.33	3.7	9.9	11.0	950	2946	3670	4.40	12.92	15.60	90	95	98	6.29
	16	07	07	07	05	42	3.71	1.65	1.65	1.65	1.24	3.7	9.9	11.0	950	2946	3670	4.40	12.92	15.60	90	95	98	6.29
	18	07	07	07	05	44	3.96	1.58	1.58	1.58	1.19	3.7	9.9	11.0	950	2946	3670	4.40	12.92	15.60	90	95	98	6.27
	10	10	07	07	05	39	2.45	2.45	1.82	1.82	1.36	3.7	9.9	11.0	950	2946	3670	4.40	12.92	15.60	90	95	98	6.29
	13	10	07	07	05	42	3.08	2.25	1.66	1.66	1.25	3.7	9.9	11.0	950	2946	3670	4.40	12.92	15.60	90	95	98	6.29
	16	10	07	07	05	45	3.51	2.10	1.56	1.56	1.17	3.7	9.9	11.0	950	2946	3670	4.40	12.92	15.60	90	95	98	6.29
	18	10	07	07	05	47	3.75	2.03	1.50	1.50	1.13	3.7	9.9	11.0	950	2946	3670	4.40	12.92	15.60	90	95	98	6.27
	13	13	07	07	05	45	2.84	2.84	1.53	1.53	1.15	3.7	9.9	11.0	950	2946	3670	4.40	12.92	15.60	90	95	98	6.29
	16	13	07	07	05	48	3.25	2.67	1.45	1.45	1.08	3.7	9.9	11.0	950	2946	3670	4.40	12.92	15.60	90	95	98	6.29
	10	10	10	07	05	42	2.30	2.30	2.30	1.71	1.28	3.7	9.9	11.0	950	2946	3670	4.40	12.92	15.60	90	95	98	6.29
	13	10	10	07	05	45	2.91	2.12	2.12	1.57	1.18	3.7	9.9	11.0	950	2946	3670	4.40	12.92	15.60	90	95	98	6.29
	16	10	10	07	05	48	3.32	1.99	1.99	1.48	1.11	3.7	9.9	11.0	950	2946	3670	4.40	12.92	15.60	90	95	98	6.29
	10	10	10	10	05	45	2.17	2.17	2.17	2.17	1.21	3.7	9.9	11.0	950	2946	3670	4.40	12.92	15.60	90	95	98	6.29
	07	07	07	07	07	35	1.96	1.96	1.96	1.96	1.96	3.7	9.8	10.8	950	2917	3630	4.40	12.79	15.43	90	95	98	6.28
	10	07	07	07	07	38	2.50	1.85	1.85	1.85	1.85	3.7	9.9	10.9	950	2946	3670	4.40	12.92	15.60	90	95	98	6.29
	13	07	07	07	07	41	3.13	1.69	1.69	1.69	1.69	3.7	9.9	10.9	950	2946	3670	4.40	12.92	15.60	90	95	98	6.29
	16	07	07	07	07	44	3.56	1.58	1.58	1.58	1.58	3.7	9.9	10.9	950	2946	3670	4.40	12.92	15.60	90			

Operation mode : Cooling

Power supply voltage : 240V

Operating status	Indoor unit					Unit capacity (kW)					Cooling capacity (kW)			Power consumption (W)			Operating current (A)			Power factor (%)			SEER	
	A	B	C	D	E	A	B	C	D	E	Min	Rate	Max	Min	Rate	Max	Min	Rate	Max	Min	Rate	Max		
	ΣkBTU																							
5 units	13	13	13	10	07	56	2.32	2.32	2.32	1.69	1.25	3.7	9.9	10.9	950	2946	3670	4.40	12.92	15.60	90	95	98	6.29
	16	13	13	10	07	59	2.68	2.21	2.21	1.61	1.19	3.7	9.9	10.9	950	2946	3670	4.40	12.92	15.60	90	95	98	6.29
	18	13	13	10	07	61	2.89	2.14	2.14	1.56	1.16	3.7	9.9	10.9	950	2946	3670	4.40	12.92	15.60	90	95	98	6.27
	16	16	13	10	07	62	2.56	2.56	2.11	1.54	1.14	3.7	9.9	10.9	950	2946	3670	4.40	12.92	15.60	90	95	98	6.29
	13	13	13	13	07	59	2.18	2.18	2.18	2.18	1.18	3.7	9.9	10.9	950	2946	3670	4.40	12.92	15.60	90	95	98	6.29
	16	13	13	13	07	62	2.53	2.08	2.08	2.08	1.13	3.7	9.9	10.9	950	2946	3670	4.40	12.92	15.60	90	95	98	6.29
	18	13	13	13	07	64	2.73	2.02	2.02	2.02	1.09	3.7	9.9	10.9	950	2946	3670	4.40	12.92	15.60	90	95	98	6.27
	16	16	13	13	07	65	2.42	2.42	1.99	1.99	1.08	3.7	9.9	10.9	950	2946	3670	4.40	12.92	15.60	90	95	98	6.29
	10	10	10	10	10	50	1.98	1.98	1.98	1.98	1.98	3.7	9.9	10.9	950	2946	3670	4.40	12.92	15.60	90	95	98	6.29
	13	10	10	10	10	53	2.53	1.84	1.84	1.84	1.84	3.7	9.9	10.9	950	2946	3670	4.40	12.92	15.60	90	95	98	6.29
	16	10	10	10	10	56	2.91	1.75	1.75	1.75	1.75	3.7	9.9	10.9	950	2946	3670	4.40	12.92	15.60	90	95	98	6.29
	18	10	10	10	10	58	3.13	1.69	1.69	1.69	1.69	3.7	9.9	10.9	950	2946	3670	4.40	12.92	15.60	90	95	98	6.27
	13	13	10	10	10	56	2.36	2.36	1.72	1.72	1.72	3.7	9.9	10.9	950	2946	3670	4.40	12.92	15.60	90	95	98	6.29
	16	13	10	10	10	59	2.73	2.25	1.64	1.64	1.64	3.7	9.9	10.9	950	2946	3670	4.40	12.92	15.60	90	95	98	6.29
	18	13	10	10	10	61	2.95	2.18	1.59	1.59	1.59	3.7	9.9	10.9	950	2946	3670	4.40	12.92	15.60	90	95	98	6.27
	16	16	10	10	10	62	2.61	2.61	1.56	1.56	1.56	3.7	9.9	10.9	950	2946	3670	4.40	12.92	15.60	90	95	98	6.29
	13	13	13	10	10	59	2.22	2.22	2.22	1.62	1.62	3.7	9.9	10.9	950	2946	3670	4.40	12.92	15.60	90	95	98	6.29
	16	13	13	10	10	62	2.58	2.12	2.12	1.55	1.55	3.7	9.9	10.9	950	2946	3670	4.40	12.92	15.60	90	95	98	6.29
	18	13	13	10	10	64	2.78	2.06	2.06	1.50	1.50	3.7	9.9	10.9	950	2946	3670	4.40	12.92	15.60	90	95	98	6.27
	16	16	13	10	10	65	2.49	2.49	2.04	1.49	1.49	3.7	10.0	11.0	950	2980	3700	4.40	13.07	15.73	90	95	98	6.31
	13	13	13	13	10	62	2.09	2.09	2.09	2.09	1.53	3.7	9.9	10.9	950	2946	3670	4.40	12.92	15.60	90	95	98	6.29
	16	13	13	13	10	65	2.46	2.02	2.02	2.02	1.48	3.7	10.0	11.0	950	2980	3700	4.40	13.07	15.73	90	95	98	6.31
	18	13	13	13	10	67	2.66	1.97	1.97	1.97	1.44	3.7	10.0	11.0	950	2980	3700	4.40	13.07	15.73	90	95	98	6.28
	16	16	13	13	10	68	2.36	2.36	1.94	1.94	1.41	3.7	10.0	11.0	950	2980	3700	4.40	13.07	15.73	90	95	98	6.31
	13	13	13	13	13	65	2.00	2.00	2.00	2.00	2.00	3.7	10.0	11.0	950	2980	3700	4.40	13.07	15.73	90	95	98	6.31
	16	13	13	13	13	68	2.33	1.92	1.92	1.92	1.92	3.7	10.0	11.0	950	2980	3700	4.40	13.07	15.73	90	95	98	6.31
	22	*05	*05	*05	*05	42	4.95	1.24	1.24	1.24	1.24	3.7	9.9	11.0	950	2946	3670	4.40	12.92	15.60	90	95	98	6.29
	24	*05	*05	*05	*05	44	5.37	1.13	1.13	1.13	1.13	3.7	9.9	11.0	950	2946	3670	4.40	12.92	15.60	90	95	98	6.29
	22	*07	*05	*05	*05	44	4.75	1.58	1.19	1.19	1.19	3.7	9.9	11.0	950	2946	3670	4.40	12.92	15.60	90	95	98	6.29
	24	*07	*05	*05	*05	46	5.17	1.46	1.09	1.09	1.09	3.7	9.9	11.0	950	2946	3670	4.40	12.92	15.60	90	95	98	6.29
	22	*10	*05	*05	*05	47	4.50	2.03	1.13	1.13	1.13	3.7	9.9	11.0	950	2946	3670	4.40	12.92	15.60	90	95	98	6.29
	24	*10	*05	*05	*05	49	4.92	1.87	1.04	1.04	1.04	3.7	9.9	11.0	950	2946	3670	4.40	12.92	15.60	90	95	98	6.29
	22	*13	*05	*05	*05	50	4.18	2.58	1.05	1.05	1.05	3.7	9.9	11.0	950	2946	3670	4.40	12.92	15.60	90	95	98	6.29
	24	*13	*05	*05	*05	52	4.59	2.39	0.97	0.97	0.97	3.7	9.9	11.0	950	2946	3670	4.40	12.92	15.60	90	95	98	6.29
	22	*07	*07	*05	*05	46	4.57	1.52	1.52	1.14	1.14	3.7	9.9	11.0	950	2946	3670	4.40	12.92	15.60	90	95	98	6.29
	24	*07	*07	*05	*05	48	4.99	1.40	1.40	1.05	1.05	3.7	9.9	11.0	950	2946	3670	4.40	12.92	15.60	90	95	98	6.29
	22	*10	*07	*05	*05	49	4.34	1.95	1.45	1.08	1.08	3.7	9.9	11.0	950	2946	3670	4.40	12.92	15.60	90	95	98	6.29
	24	*10	*07	*05	*05	51	4.75	1.81	1.34	1.00	1.00	3.7	9.9	11.0	950	2946	3670	4.40	12.92	15.60	90	95	98	6.29
	22	*13	*07	*05	*05	52	4.04	2.49	1.35	1.01	1.01	3.7	9.9	11.0	950	2946	3670	4.40	12.92	15.60	90	95	98	6.29
	24	*13	*07	*05	*05	54	4.45	2.32	1.25	0.94	0.94	3.7	9.9	11.0	950	2946	3670	4.40	12.92	15.60	90	95	98	6.29
	22	*10	*10	*05	*05	52	4.13	1.86	1.86	1.03	1.03	3.7	9.9	11.0	950	2946	3670	4.40	12.92	15.60	90	95	98	6.29
	24	*10	*10	*05	*05	54	4.53	1.72	1.72	0.96	0.96	3.7	9.9	11.0	950	2946	3670	4.40	12.92	15.60	90	95	98	6.29
	22	*13	*10	*05	*05	55	3.86	2.38	1.74	0.96	0.96	3.7	9.9	11.0	950	2946	3670	4.40	12.92	15.60	90	95	98	6.29
	24	*13	*10	*05	*05	57	4.26	2.22	1.62	0.90	0.90	3.7	9.9	11.0	950	2946	3670	4.40	12.92	15.60	90	95	98	6.29
	22	*13	*13	*05	*05	58	3.62	2.23	2.23	0.91	0.91	3.7	9.9	11.0	950	2946	3670	4.40	12.92	15.60	90	95	98	6.29
	24	*13	*13	*05	*05	60	4.02	2.09	2.09	0.85	0.85	3.7	9.9	11.0	950	2946	3670	4.40	12.92	15.60	90	95	98	6.29
	22	*07	*07	*07	*05	48	4.40	1.47	1.47	1.47	1.10	3.7	9.9	11.0	950	2946	3670	4.40	12.92	15.60	90	95	98	6.29
	24	*07	*07	*07	*05	50	4.81	1.36	1.36	1.36	1.02	3.7	9.9	11.0	950	2946	3670	4.40	12.92	15.60	90	95	98	6.29
	22	*10	*07	*07	*05	51	4.18	1.88	1.39	1.39	1.05	3.7	9.9	11.0	950	2946	3670	4.40	12.92	15.60	90	95	98	6.29
	24	*10	*07	*07	*05	53	4.59	1.75	1.29	1.29	0.97	3.7	9.9	11.0	950	2946	3670	4.40	12.92	15.60	90	95	98	6.29
	22	*13	*07	*07	*05	54	3.91	2.41	1.30	1.30	0.98	3.7	9.9	11.0	950	2946	3670	4.40	12.92	15.60	90	95	98	6.29
	24	*13	*07	*07	*05	56	4.31	2.25	1.21	1.21	0.91	3.7	9.9	11.0	950	2946	3670	4.40	12.92	15.60	90	95	98	6.29
	22	*10	*10	*07	*05	54	3.99	1.79	1.79	1.33	1.00	3.7	9.9	11.0	950	2946	3670	4.40	12.92	15.60	90	95	98	6.29
	24	*10	*10	*07	*05	56	4.39	1.67	1.67	1.24	0.93	3.7	9.9	11.0	950	2946	3670	4.40	12.92	15.60	90	95	98	6.29
	22	*13	*10	*07	*05	57	3.74	2.30	1.68	1.25	0.93	3.7	9.9	11.0	950	2946	3670	4.40	12.92	15.60	90	95	98	6.29
	24	*13	*10	*07	*05	59	4.13	2.15	1.57	1.16	0.87	3.7	9.9	11.0	950	2946	3670	4.40	12.92	15.60	90	95	98	6.29
	22	*13	*13	*07	*05	60	3.51	2.17	2.17	1.17	0.88	3.7	9.9	11.0	950	2946	3670	4.40	12.92	15.60	90	95	98	6.29
	24	*13	*13	*07	*05	62	3.91	2.04	2.04	1.10	0.83	3.7	9.9	11.0	950	2946	3670	4.40	12.92	15.60	90	95	98	6.29
	22	*10	*10	*10	*05	57	3.81	1.71	1.71	1.71	0.95	3.7	9.9	11.0	950	2946	3670	4.40</						

Operation mode : Heating

Power supply voltage : 220V

Operating status	Indoor unit					Unit capacity (kW)					Heating capacity (kW)			Power consumption (W)			Operating current (A)			Power factor (%)			SCOP	
	A	B	C	D	E	ΣkBTU	A	B	C	D	E	Min	Rate	Max	Min	Rate	Max	Min	Rate	Max	Min	Rate		Max
1 unit	05	-	-	-	-	5	2.00	-	-	-	-	0.8	2.0	2.7	300	600	900	1.87	3.13	4.17	73	87	98	-
	07	-	-	-	-	7	2.70	-	-	-	-	0.8	2.7	4.8	300	900	1980	1.87	4.70	9.18	73	87	98	-
	10	-	-	-	-	10	4.00	-	-	-	-	0.8	4.0	5.2	300	1450	1980	1.87	6.94	9.18	73	95	98	-
	13	-	-	-	-	13	5.00	-	-	-	-	0.8	5.0	6.5	310	2050	2750	1.93	9.81	12.76	73	95	98	-
	16	-	-	-	-	16	5.50	-	-	-	-	0.8	5.5	6.9	310	2400	3000	1.93	11.48	13.91	73	95	98	-
	18	-	-	-	-	18	6.00	-	-	-	-	0.8	6.0	7.1	310	2630	3200	1.93	12.58	14.84	73	95	98	-
	22	-	-	-	-	22	7.00	-	-	-	-	1.8	7.0	8.2	330	2700	3600	2.05	12.78	16.70	73	96	98	-
	24	-	-	-	-	24	8.10	-	-	-	-	1.8	8.1	8.6	330	3300	3700	2.05	15.63	17.16	73	96	98	-
2 units	05	05	-	-	-	10	2.00	2.00	-	-	-	1.5	4.0	6.0	320	1130	1260	1.94	5.41	5.84	75	95	98	3.90
	07	05	-	-	-	12	2.70	2.00	-	-	-	1.5	4.7	6.7	320	1340	1500	1.94	6.41	6.96	75	95	98	3.94
	10	05	-	-	-	15	4.00	2.00	-	-	-	1.5	6.0	8.0	320	1750	1900	1.94	8.37	8.81	75	95	98	4.04
	13	05	-	-	-	18	5.00	2.00	-	-	-	1.5	7.0	10.0	320	2060	2440	1.94	9.86	11.32	75	95	98	4.04
	16	05	-	-	-	21	5.50	2.00	-	-	-	1.5	7.5	10.1	320	2250	2470	1.94	10.77	11.46	75	95	98	4.04
	18	05	-	-	-	23	6.00	2.00	-	-	-	1.5	8.0	10.1	320	2340	3200	1.94	11.20	14.84	75	95	98	4.04
	22	05	-	-	-	27	6.46	1.84	-	-	-	1.5	8.3	10.2	320	2400	3200	1.94	11.48	14.84	75	95	98	4.05
	24	05	-	-	-	29	6.66	1.64	-	-	-	1.5	8.3	10.4	320	2470	3240	1.94	11.82	15.03	75	95	98	4.04
	07	07	-	-	-	14	2.70	2.70	-	-	-	1.5	5.4	7.4	320	1500	2200	1.94	7.18	10.20	75	95	98	4.04
	10	07	-	-	-	17	4.00	2.70	-	-	-	1.5	6.7	8.9	320	1900	2600	1.94	9.09	12.06	75	95	98	4.04
	13	07	-	-	-	20	4.81	2.59	-	-	-	1.5	7.4	10.1	320	2220	2900	1.94	10.62	13.45	75	95	98	4.04
	16	07	-	-	-	23	5.10	2.50	-	-	-	1.5	7.6	10.1	320	2480	3230	1.94	11.87	14.98	75	95	98	4.04
	18	07	-	-	-	25	5.45	2.45	-	-	-	1.5	7.9	10.1	320	2480	3230	1.94	11.87	14.98	75	95	98	4.04
	22	07	-	-	-	29	5.70	2.20	-	-	-	1.5	7.9	10.1	320	2480	3230	1.94	11.87	14.98	75	95	98	4.05
	24	07	-	-	-	31	6.23	2.08	-	-	-	1.5	8.3	10.2	320	2700	3240	1.94	12.92	15.03	75	95	98	4.04
	10	10	-	-	-	20	3.60	3.60	-	-	-	1.5	7.2	10.0	320	2100	2950	1.94	10.05	13.68	75	95	98	4.04
	13	10	-	-	-	23	4.22	3.38	-	-	-	1.5	7.6	10.1	320	2320	3210	1.94	11.10	14.89	75	95	98	4.04
	16	10	-	-	-	26	4.57	3.33	-	-	-	1.5	7.9	10.1	320	2480	3230	1.94	11.87	14.98	75	95	98	4.04
	18	10	-	-	-	28	4.74	3.16	-	-	-	1.5	7.9	10.1	320	2480	3230	1.94	11.87	14.98	75	95	98	4.04
	22	10	-	-	-	32	5.28	3.02	-	-	-	1.5	8.3	10.2	320	2700	3240	1.94	12.92	15.03	75	95	98	4.05
	24	10	-	-	-	34	5.76	2.84	-	-	-	1.5	8.6	10.2	320	2860	3250	1.94	13.68	15.07	75	95	98	4.04
	13	13	-	-	-	26	3.95	3.95	-	-	-	1.5	7.9	10.1	320	2480	3230	1.94	11.87	14.98	75	95	98	4.04
	16	13	-	-	-	29	4.35	3.95	-	-	-	1.5	8.3	10.2	320	2700	3240	1.94	12.92	15.03	75	95	98	4.04
	18	13	-	-	-	31	4.53	3.77	-	-	-	1.5	8.3	10.2	320	2700	3240	1.94	12.92	15.03	75	95	98	4.04
	22	13	-	-	-	35	5.02	3.58	-	-	-	1.5	8.6	10.2	320	2860	3250	1.94	13.68	15.07	75	95	98	4.05
	24	13	-	-	-	37	5.32	3.28	-	-	-	1.5	8.6	10.2	320	2860	3250	1.94	13.68	15.07	75	95	98	4.04
	16	16	-	-	-	32	4.30	4.30	-	-	-	1.5	8.6	10.2	320	2860	3250	1.94	13.68	15.07	75	95	98	4.04
	18	16	-	-	-	34	4.49	4.11	-	-	-	1.5	8.6	10.2	320	2860	3250	1.94	13.68	15.07	75	95	98	4.04
	22	16	-	-	-	38	4.82	3.78	-	-	-	1.5	8.6	10.2	320	2860	3250	1.94	13.68	15.07	75	95	98	4.05
	24	16	-	-	-	40	5.12	3.48	-	-	-	1.5	8.6	10.2	320	2860	3250	1.94	13.68	15.07	75	95	98	4.04
	18	18	-	-	-	36	4.30	4.30	-	-	-	1.5	8.6	10.2	320	2860	3250	1.94	13.68	15.07	75	95	98	4.04
	22	18	-	-	-	40	4.63	3.97	-	-	-	1.5	8.6	10.2	320	2860	3250	1.94	13.68	15.07	75	95	98	4.04
24	18	-	-	-	42	4.94	3.66	-	-	-	1.5	8.6	10.2	320	2860	3250	1.94	13.68	15.07	75	95	98	4.04	
22	22	-	-	-	44	4.50	4.50	-	-	-	1.5	9.0	10.6	320	2200	2590	1.94	10.42	12.01	75	96	98	4.25	
24	22	-	-	-	46	4.83	4.17	-	-	-	1.5	9.0	10.6	320	2200	2590	1.94	10.42	12.01	75	96	98	4.25	
24	24	-	-	-	48	4.55	4.55	-	-	-	1.5	9.1	10.7	320	2220	2610	1.94	10.51	12.11	75	96	98	4.25	

Specification values are those under the condition as follows ;
 Heating : Capacity test condition, inside : 20 °C (Db), outside : 7 °C (Db) / 6 °C (Wb)
 Piping length : 5 m. per indoor unit.

Operation mode : Heating

Power supply voltage : 220

Operating status	Indoor unit						Unit capacity (kW)					Heating capacity (kW)			Power consumption (W)			Operating current (A)			Power factor (%)			SCOP
	A	B	C	D	E	ΣkBTU	A	B	C	D	E	Min	Rate	Max	Min	Rate	Max	Min	Rate	Max	Min	Rate	Max	
3 units	05	05	05	-	-	15	2.00	2.00	2.00	-	-	2.0	6.0	8.0	380	1700	2000	2.16	8.13	9.28	80	95	98	4.12
	07	05	05	-	-	17	2.70	2.00	2.00	-	-	2.0	6.7	8.9	380	1850	2080	2.16	8.85	9.65	80	95	98	4.16
	10	05	05	-	-	20	4.00	2.00	2.00	-	-	2.0	8.0	10.1	380	2290	2750	2.16	10.96	12.76	80	95	98	4.17
	13	05	05	-	-	23	4.94	1.98	1.98	-	-	2.0	8.9	10.7	380	2350	2760	2.16	11.24	12.80	80	95	98	4.17
	16	05	05	-	-	26	5.15	1.87	1.87	-	-	2.0	8.9	10.7	380	2350	2760	2.16	11.24	12.80	80	95	98	4.17
	18	05	05	-	-	28	5.34	1.78	1.78	-	-	2.0	8.9	10.7	380	2350	2760	2.16	11.24	12.80	80	95	98	4.17
	22	05	05	-	-	32	5.66	1.62	1.62	-	-	2.0	8.9	10.7	380	2350	2760	2.16	11.24	12.80	80	95	98	4.06
	24	05	05	-	-	34	5.96	1.47	1.47	-	-	2.0	8.9	10.7	380	2350	2760	2.16	11.24	12.80	80	95	98	4.06
	07	07	05	-	-	19	2.70	2.70	2.00	-	-	2.0	7.4	10.1	380	2000	2700	2.16	9.57	12.52	80	95	98	4.17
	10	07	05	-	-	22	4.00	2.70	2.00	-	-	2.0	8.7	10.5	380	2200	2700	2.16	10.53	12.52	80	95	98	4.17
	13	07	05	-	-	25	4.59	2.48	1.84	-	-	2.0	8.9	10.7	380	2350	2760	2.16	11.24	12.80	80	95	98	4.17
	16	07	05	-	-	28	4.80	2.36	1.75	-	-	2.0	8.9	10.7	380	2350	2760	2.16	11.24	12.80	80	95	98	4.17
	18	07	05	-	-	30	4.99	2.25	1.66	-	-	2.0	8.9	10.7	380	2350	2760	2.16	11.24	12.80	80	95	98	4.17
	22	07	05	-	-	34	5.32	2.05	1.52	-	-	2.0	8.9	10.7	380	2350	2760	2.16	11.24	12.80	80	95	98	4.06
	24	07	05	-	-	36	5.63	1.88	1.39	-	-	2.0	8.9	10.7	380	2350	2760	2.16	11.24	12.80	80	95	98	4.06
	10	10	05	-	-	25	3.56	3.56	1.78	-	-	2.0	8.9	10.7	380	2350	2760	2.16	11.24	12.80	80	95	98	4.17
	13	10	05	-	-	28	4.05	3.24	1.62	-	-	2.0	8.9	10.7	380	2350	2760	2.16	11.24	12.80	80	95	98	4.17
	16	10	05	-	-	31	4.26	3.10	1.55	-	-	2.0	8.9	10.7	380	2350	2760	2.16	11.24	12.80	80	95	98	4.17
	18	10	05	-	-	33	4.45	2.97	1.48	-	-	2.0	8.9	10.7	380	2350	2760	2.16	11.24	12.80	80	95	98	4.17
	22	10	05	-	-	37	4.79	2.74	1.37	-	-	2.0	8.9	10.7	380	2350	2760	2.16	11.24	12.80	80	95	98	4.06
	24	10	05	-	-	39	5.11	2.52	1.26	-	-	2.0	8.9	10.7	380	2350	2760	2.16	11.24	12.80	80	95	98	4.06
	13	13	05	-	-	31	3.71	3.71	1.48	-	-	2.0	8.9	10.7	380	2350	2760	2.16	11.24	12.80	80	95	98	4.17
	16	13	05	-	-	34	3.92	3.56	1.42	-	-	2.0	8.9	10.7	380	2350	2760	2.16	11.24	12.80	80	95	98	4.17
	18	13	05	-	-	36	4.11	3.42	1.37	-	-	2.0	8.9	10.7	380	2350	2760	2.16	11.24	12.80	80	95	98	4.17
	22	13	05	-	-	40	4.45	3.18	1.27	-	-	2.0	8.9	10.7	380	2350	2760	2.16	11.24	12.80	80	95	98	4.06
	24	13	05	-	-	42	4.77	2.95	1.18	-	-	2.0	8.9	10.7	380	2350	2760	2.16	11.24	12.80	80	95	98	4.06
	16	16	05	-	-	37	3.77	3.77	1.37	-	-	2.0	8.9	10.7	380	2350	2760	2.16	11.24	12.80	80	95	98	4.17
	18	16	05	-	-	39	3.96	3.63	1.32	-	-	2.0	8.9	10.7	380	2350	2760	2.16	11.24	12.80	80	95	98	4.17
	22	16	05	-	-	43	4.30	3.38	1.23	-	-	2.0	8.9	10.7	380	2350	2760	2.16	11.24	12.80	80	95	98	4.06
	24	16	05	-	-	45	4.88	3.31	1.21	-	-	2.0	9.4	11.2	380	2370	2880	2.16	11.34	13.36	80	95	98	4.06
	18	18	05	-	-	41	3.81	3.81	1.27	-	-	2.0	8.9	10.7	380	2350	2760	2.16	11.24	12.80	80	95	98	4.16
	22	18	05	-	-	45	4.39	3.76	1.25	-	-	2.0	9.4	11.2	380	2290	2630	2.16	10.96	12.20	80	95	98	4.06
	24	18	05	-	-	47	4.73	3.50	1.17	-	-	2.0	9.4	11.2	380	2290	2630	2.16	10.96	12.20	80	95	98	4.06
	22	22	05	-	-	49	4.11	4.11	1.18	-	-	2.0	9.4	11.2	380	2290	2630	2.16	10.96	12.20	80	95	98	4.07
	24	22	05	-	-	51	4.45	3.85	1.10	-	-	2.0	9.4	11.2	380	2290	2630	2.16	10.96	12.20	80	95	98	4.07
	24	24	05	-	-	53	4.18	4.18	1.03	-	-	2.0	9.4	11.2	380	2290	2630	2.16	10.96	12.20	80	95	98	4.07
	07	07	07	-	-	21	2.70	2.70	2.70	-	-	2.0	8.1	10.4	380	2290	2750	2.16	10.96	12.76	80	95	98	4.17
	10	07	07	-	-	24	3.53	2.38	2.38	-	-	2.0	8.3	10.4	380	2300	2750	2.16	11.00	12.76	80	95	98	4.17
	13	07	07	-	-	27	4.13	2.23	2.23	-	-	2.0	8.6	10.4	380	2300	2750	2.16	11.00	12.76	80	95	98	4.17
	16	07	07	-	-	30	4.39	2.16	2.16	-	-	2.0	8.7	10.5	380	2350	2760	2.16	11.24	12.80	80	95	98	4.17
	18	07	07	-	-	32	4.58	2.06	2.06	-	-	2.0	8.7	10.5	380	2350	2760	2.16	11.24	12.80	80	95	98	4.17
	22	07	07	-	-	36	4.91	1.89	1.89	-	-	2.0	8.7	10.5	380	2350	2760	2.16	11.24	12.80	80	95	98	4.06
	24	07	07	-	-	38	5.22	1.74	1.74	-	-	2.0	8.7	10.5	380	2350	2760	2.16	11.24	12.80	80	95	98	4.06
	10	10	07	-	-	27	3.18	3.18	2.14	-	-	2.0	8.5	10.4	380	2300	2750	2.16	11.00	12.76	80	95	98	4.17
	13	10	07	-	-	30	3.72	2.97	2.01	-	-	2.0	8.7	10.5	380	2350	2760	2.16	11.24	12.80	80	95	98	4.17
	16	10	07	-	-	33	3.92	2.85	1.93	-	-	2.0	8.7	10.5	380	2350	2760	2.16	11.24	12.80	80	95	98	4.17
	18	10	07	-	-	35	4.11	2.74	1.85	-	-	2.0	8.7	10.5	380	2350	2760	2.16	11.24	12.80	80	95	98	4.17
	22	10	07	-	-	39	4.50	2.57	1.73	-	-	2.0	8.8	10.6	380	2400	2780	2.16	11.48	12.89	80	95	98	4.06
24	10	07	-	-	41	4.82	2.38	1.61	-	-	2.0	8.8	10.6	380	2400	2780	2.16	11.48	12.89	80	95	98	4.06	
13	13	07	-	-	33	3.43	3.43	1.85	-	-	2.0	8.7	10.5	380	2350	2760	2.16	11.24	12.80	80	95	98	4.17	
16	13	07	-	-	36	3.67	3.33	1.80	-	-	2.0	8.8	10.6	380	2400	2780	2.16	11.48	12.89	80	95	98	4.17	
18	13	07	-	-	38	3.85	3.21	1.73	-	-	2.0	8.8	10.6	380	2400	2780	2.16	11.48	12.89	80	95	98	4.17	
22	13	07	-	-	42	4.24	3.03	1.63	-	-	2.0	8.9	10.7	380	2450	2790	2.16	11.72	12.94	80	95	98	4.06	
24	13	07	-	-	44	4.56	2.82	1.52	-	-	2.0	8.9	10.7	380	2450	2790	2.16	11.72	12.94	80	95	98	4.06	
16	16	07	-	-	39	3.57	3.57	1.75	-	-	2.0	8.9	10.7	380	2450	2790	2.16	11.72	12.94	80	95	98	4.17	
18	16	07	-	-	41	3.76	3.45	1.69	-	-	2.0	8.9	10.7	380	2450	2790	2.16	11.72	12.94	80	95	98	4.17	
22	16	07	-	-	45	4.10	3.22	1.58	-	-	2.0	8.9	10.7	380	2450	2790	2.16	11.72	12.94	80	95	98	4.06	
24	16	07	-	-	47	4.42	3.00	1.47	-	-	2.0	8.9	10.7	380	2450	2790	2.16	11.72	12.94	80	95	98	4.06	
18	18	07	-	-	43	3.63	3.63	1.63	-	-	2.0	8.9	10.7	380	2450	2790	2.16	11.72	12.94	80	95	98	4.16	
22	18	07	-	-	47	3.97	3.40	1.53	-	-	2.0	8.9	10.7	380	2450	2790	2.16	11.72	12.94	80	95	98	4.06	
24	18	07	-	-	49	4.29	3.18	1.43	-	-	2.0	8.9	10.7	380	2450	2790	2.16	11.72	12.94	80	95	98	4.06	
22	22	07	-	-	51	3.86	3.86	1.49	-	-	2.0	9.2	11.0	380	2250	2590	2.16	10.65	12.01	80	96	98	4.03	
24	22	07	-	-	53	4.23	3.66	1.41	-	-	2.0	9.3	11.1	380	2270	2610	2.16	1						

Operation mode : Heating

Power supply voltage : 220V

Operating status	Indoor unit						Unit capacity (kW)					Heating capacity (kW)			Power consumption (W)			Operating current (A)			Power factor (%)			SCOP
	A	B	C	D	E	ΣkBTU	A	B	C	D	E	Min	Rate	Max	Min	Rate	Max	Min	Rate	Max	Min	Rate	Max	
3 units	18	16	13	-	-	47	3.24	2.97	2.70	-	-	2.0	8.9	10.7	380	2450	2790	2.16	11.72	12.94	80	95	98	4.17
	22	16	13	-	-	51	3.56	2.80	2.54	-	-	2.0	8.9	10.7	380	2450	2790	2.16	11.72	12.94	80	95	98	4.06
	24	16	13	-	-	53	3.88	2.63	2.39	-	-	2.0	8.9	10.7	380	2450	2790	2.16	11.72	12.94	80	95	98	4.06
	18	18	13	-	-	49	3.14	3.14	2.62	-	-	2.0	8.9	10.7	380	2450	2790	2.16	11.72	12.94	80	95	98	4.16
	22	18	13	-	-	53	3.62	3.10	2.58	-	-	2.0	9.3	11.1	380	2270	2610	2.16	10.86	12.11	80	95	98	4.06
	24	18	13	-	-	55	3.94	2.92	2.43	-	-	2.0	9.3	11.1	380	2270	2610	2.16	10.86	12.11	80	95	98	4.06
	16	16	16	-	-	48	2.97	2.97	2.97	-	-	2.0	8.9	10.7	380	2450	2790	2.16	11.72	12.94	80	95	98	4.17

Specification values are those under the condition as follows ;

Heating : Capacity test condition, inside : 20 °C (Db), outside : 7 °C (Db) / 6°C (Wb)

Piping length : 5 m. per indoor unit.

Operation mode : Heating

Power supply voltage : 220V

Operating status	Indoor unit					Unit capacity (kW)					Heating capacity (kW)			Power consumption (W)			Operating current (A)			Power factor (%)			SCOP	
	A	B	C	D	E	ΣkBTU	A	B	C	D	E	Min	Rate	Max	Min	Rate	Max	Min	Rate	Max	Min	Rate		Max
4 units	05	05	05	05	-	20	2.00	2.00	2.00	2.00	-	2.2	8.0	11.4	450	1880	2830	2.56	9.00	13.13	80	95	98	4.14
	07	05	05	05	-	22	2.70	2.00	2.00	2.00	-	2.2	8.7	11.4	450	2060	2830	2.56	9.62	13.13	80	95	98	4.14
	10	05	05	05	-	25	3.76	1.88	1.88	1.88	-	2.2	9.4	11.4	450	2220	2830	2.56	10.62	13.13	80	95	98	4.14
	13	05	05	05	-	28	4.36	1.75	1.75	1.75	-	2.2	9.6	11.5	450	2310	2850	2.56	11.05	13.22	80	95	98	4.14
	16	05	05	05	-	31	4.69	1.70	1.70	1.70	-	2.2	9.8	11.5	450	2380	2850	2.56	11.39	13.22	80	95	98	4.14
	18	05	05	05	-	33	4.90	1.63	1.63	1.63	-	2.2	9.8	11.5	450	2380	2850	2.56	11.39	13.22	80	95	98	4.14
	22	05	05	05	-	37	5.28	1.51	1.51	1.51	-	2.2	9.8	11.5	450	2380	2850	2.56	11.39	13.22	80	95	98	4.05
	24	05	05	05	-	39	5.63	1.39	1.39	1.39	-	2.2	9.8	11.5	450	2380	2850	2.56	11.39	13.22	80	95	98	4.05
	07	07	05	05	-	24	2.70	2.70	2.00	2.00	-	2.2	9.4	11.2	450	2300	2800	2.56	11.00	12.99	80	95	98	4.14
	10	07	05	05	-	27	3.59	2.42	1.79	1.79	-	2.2	9.6	11.5	450	2360	2850	2.56	11.29	13.22	80	95	98	4.14
	13	07	05	05	-	30	4.19	2.26	1.68	1.68	-	2.2	9.8	11.5	450	2380	2850	2.56	11.39	13.22	80	95	98	4.14
	16	07	05	05	-	33	4.42	2.17	1.61	1.61	-	2.2	9.8	11.5	450	2380	2850	2.56	11.39	13.22	80	95	98	4.14
	18	07	05	05	-	35	4.63	2.08	1.54	1.54	-	2.2	9.8	11.5	450	2380	2850	2.56	11.39	13.22	80	95	98	4.14
	22	07	05	05	-	39	5.01	1.93	1.43	1.43	-	2.2	9.8	11.5	450	2380	2850	2.56	11.39	13.22	80	95	98	4.05
	24	07	05	05	-	41	5.47	1.82	1.35	1.35	-	2.2	10.0	11.7	450	2400	2900	2.56	11.48	13.45	80	95	98	4.05
	10	10	05	05	-	30	3.27	3.27	1.63	1.63	-	2.2	9.8	11.5	450	2380	2850	2.56	11.39	13.22	80	95	98	4.14
	13	10	05	05	-	33	3.77	3.02	1.51	1.51	-	2.2	9.8	11.5	450	2380	2850	2.56	11.39	13.22	80	95	98	4.14
	16	10	05	05	-	36	3.99	2.90	1.45	1.45	-	2.2	9.8	11.5	450	2380	2850	2.56	11.39	13.22	80	95	98	4.14
	18	10	05	05	-	38	4.20	2.80	1.40	1.40	-	2.2	9.8	11.5	450	2380	2850	2.56	11.39	13.22	80	95	98	4.14
	22	10	05	05	-	42	4.67	2.67	1.33	1.33	-	2.2	10.0	11.7	450	2400	2900	2.56	11.48	13.45	80	95	98	4.05
	24	10	05	05	-	44	5.03	2.48	1.24	1.24	-	2.2	10.0	11.7	450	2400	2900	2.56	11.48	13.45	80	95	98	4.05
	13	13	05	05	-	36	3.50	3.50	1.40	1.40	-	2.2	9.8	11.5	450	2380	2900	2.56	11.39	13.45	80	95	98	4.14
	16	13	05	05	-	39	3.72	3.38	1.35	1.35	-	2.2	9.8	11.5	450	2380	2900	2.56	11.39	13.45	80	95	98	4.14
	18	13	05	05	-	41	4.00	3.33	1.33	1.33	-	2.2	10.0	11.7	450	2400	2900	2.56	11.48	13.45	80	95	98	4.14
	22	13	05	05	-	45	4.38	3.13	1.25	1.25	-	2.2	10.0	11.7	450	2400	2900	2.56	11.48	13.45	80	95	98	4.05
	24	13	05	05	-	47	4.74	2.92	1.17	1.17	-	2.2	10.0	11.7	450	2400	2900	2.56	11.48	13.45	80	95	98	4.05
	16	16	05	05	-	42	3.67	3.67	1.33	1.33	-	2.2	10.0	11.7	450	2400	2900	2.56	11.48	13.45	80	95	98	4.14
	18	16	05	05	-	44	3.87	3.55	1.29	1.29	-	2.2	10.0	11.7	450	2400	2900	2.56	11.48	13.45	80	95	98	4.14
	22	16	05	05	-	48	4.24	3.33	1.21	1.21	-	2.2	10.0	11.7	450	2400	2900	2.56	11.48	13.45	80	95	98	4.05
	24	16	05	05	-	50	4.60	3.13	1.14	1.14	-	2.2	10.0	11.7	450	2400	2900	2.56	11.48	13.45	80	95	98	4.05
	18	18	05	05	-	46	3.75	3.75	1.25	1.25	-	2.2	10.0	11.7	450	2400	2900	2.56	11.48	13.45	80	95	98	4.14
	22	18	05	05	-	50	4.12	3.53	1.18	1.18	-	2.2	10.0	11.7	450	2400	2900	2.56	11.48	13.45	80	95	98	4.05
	24	18	05	05	-	52	4.48	3.31	1.10	1.10	-	2.2	10.0	11.7	450	2400	2900	2.56	11.48	13.45	80	95	98	4.05
	22	22	05	05	-	54	3.89	3.89	1.11	1.11	-	2.2	10.0	11.7	450	2400	2900	2.56	11.48	13.45	80	95	98	4.06
	07	07	07	05	-	26	2.57	2.57	2.57	1.90	-	2.2	9.6	11.5	450	2360	2850	2.56	11.29	13.22	80	95	98	4.14
	10	07	07	05	-	29	3.37	2.27	2.27	1.68	-	2.2	9.6	11.5	450	2360	2850	2.56	11.29	13.22	80	95	98	4.14
	13	07	07	05	-	32	3.95	2.13	2.13	1.58	-	2.2	9.8	11.7	450	2380	2900	2.56	11.39	13.45	80	95	98	4.14
	16	07	07	05	-	35	4.18	2.05	2.05	1.52	-	2.2	9.8	11.7	450	2380	2900	2.56	11.39	13.45	80	95	98	4.14
	18	07	07	05	-	37	4.39	1.97	1.97	1.46	-	2.2	9.8	11.7	450	2380	2900	2.56	11.39	13.45	80	95	98	4.14
	22	07	07	05	-	41	4.86	1.88	1.88	1.39	-	2.2	10.0	11.7	450	2400	2900	2.56	11.48	13.45	80	95	98	4.05
	24	07	07	05	-	43	5.23	1.74	1.74	1.29	-	2.2	10.0	11.7	450	2400	2900	2.56	11.48	13.45	80	95	98	4.05
	10	10	07	05	-	32	3.09	3.09	2.08	1.54	-	2.2	9.8	11.6	450	2380	2880	2.56	11.39	13.36	80	95	98	4.14
	13	10	07	05	-	35	3.58	2.86	1.93	1.43	-	2.2	9.8	11.6	450	2380	2880	2.56	11.39	13.36	80	95	98	4.14
	16	10	07	05	-	38	3.80	2.76	1.86	1.38	-	2.2	9.8	11.6	450	2380	2880	2.56	11.39	13.36	80	95	98	4.14
	18	10	07	05	-	40	4.08	2.72	1.84	1.36	-	2.2	10.0	11.7	450	2400	2900	2.56	11.48	13.45	80	95	98	4.14
	22	10	07	05	-	44	4.46	2.55	1.72	1.27	-	2.2	10.0	11.7	450	2400	2900	2.56	11.48	13.45	80	95	98	4.05
	24	10	07	05	-	46	4.82	2.38	1.61	1.19	-	2.2	10.0	11.7	450	2400	2900	2.56	11.48	13.45	80	95	98	4.05
	13	13	07	05	-	38	3.33	3.33	1.80	1.33	-	2.2	9.8	11.6	450	2400	2880	2.56	11.48	13.36	80	95	98	4.14
16	13	07	05	-	41	3.62	3.29	1.78	1.32	-	2.2	10.0	11.7	450	2400	2900	2.56	11.48	13.45	80	95	98	4.14	
18	13	07	05	-	43	3.82	3.18	1.72	1.27	-	2.2	10.0	11.7	450	2400	2900	2.56	11.48	13.45	80	95	98	4.14	
22	13	07	05	-	47	4.19	2.99	1.62	1.20	-	2.2	10.0	11.7	450	2400	2900	2.56	11.48	13.45	80	95	98	4.05	
24	13	07	05	-	49	4.55	2.81	1.52	1.12	-	2.2	10.0	11.7	450	2400	2900	2.56	11.48	13.45	80	95	98	4.05	
16	16	07	05	-	44	3.50	3.50	1.72	1.27	-	2.2	10.0	11.7	450	2400	2900	2.56	11.48	13.45	80	95	98	4.14	
18	16	07	05	-	46	3.70	3.40	1.67	1.23	-	2.2	10.0	11.7	450	2400	2900	2.56	11.48	13.45	80	95	98	4.14	
22	16	07	05	-	50	4.07	3.20	1.57	1.16	-	2.2	10.0	11.7	450	2400	2900	2.56	11.48	13.45	80	95	98	4.05	
18	18	07	05	-	48	3.59	3.59	1.62	1.20	-	2.2	10.0	11.7	450	2400	2900	2.56	11.48	13.45	80	95	98	4.14	
22	18	07	05	-	52	3.95	3.39	1.53	1.13	-	2.2	10.0	11.7	450	2400	2900	2.56	11.48	13.45	80	95	98	4.05	
10	10	10	05	-	35	2.80	2.80	2.80	1.40	-	2.2	9.8	11.6	450	2380	2880	2.56	11.39	13.36	80	95	98	4.14	
13	10	10	05	-	38	3.27	2.61	2.61	1.31	-	2.2	9.8	11.6	450	2380	2880	2.56	11.39	13.36	80	95	98	4.14	
16	10	10	05	-	41	3.55	2.58	2.58	1.29	-	2.2	10.0	11.7	450	2400	2900	2.56	11.48	13.45	80	95	98	4.14	
18	10	10	05	-	43	3.75	2.50	2.50	1.25	-	2.2	10.0	11.7	450	2400									

Operation mode : Heating

Power supply voltage : 220V

Operating status	Indoor unit						Unit capacity (kW)					Heating capacity (kW)			Power consumption (W)			Operating current (A)			Power factor (%)			SCOP	
	A	B	C	D	E	ΣkBTU	A	B	C	D	E	Min	Rate	Max	Min	Rate	Max	Min	Rate	Max	Min	Rate	Max		Min
4 units	24	13	07	07	-	51	4.38	2.70	1.46	1.46	-	2.2	10.0	11.7	490	2400	2900	2.78	11.48	13.45	80	95	98	4.05	
	16	16	07	07	-	46	3.35	3.35	1.65	1.65	-	2.2	10.0	11.7	490	2400	2900	2.78	11.48	13.45	80	95	98	4.14	
	18	16	07	07	-	48	3.55	3.25	1.60	1.60	-	2.2	10.0	11.7	490	2400	2900	2.78	11.48	13.45	80	95	98	4.14	
	22	16	07	07	-	52	3.91	3.07	1.51	1.51	-	2.2	10.0	11.7	490	2400	2900	2.78	11.48	13.45	80	95	98	4.05	
	24	16	07	07	-	54	4.26	2.89	1.42	1.42	-	2.2	10.0	11.7	490	2400	2900	2.78	11.48	13.45	80	95	98	4.05	
	18	18	07	07	-	50	3.45	3.45	1.55	1.55	-	2.2	10.0	11.7	490	2400	2900	2.78	11.48	13.45	80	95	98	4.14	
	22	18	07	07	-	54	3.80	3.26	1.47	1.47	-	2.2	10.0	11.7	490	2400	2900	2.78	11.48	13.45	80	95	98	4.05	
	24	18	07	07	-	56	4.15	3.08	1.38	1.38	-	2.2	10.0	11.7	490	2400	2900	2.78	11.48	13.45	80	95	98	4.05	
	10	10	10	07	-	37	2.61	2.61	2.61	1.76	-	2.2	9.6	11.6	470	2360	2880	2.67	11.29	13.36	80	95	98	4.14	
	13	10	10	07	-	40	3.12	2.50	2.50	1.69	-	2.2	9.8	11.6	480	2380	2880	2.73	11.39	13.36	80	95	98	4.14	
	16	10	10	07	-	43	3.36	2.44	2.44	1.65	-	2.2	9.9	11.7	480	2390	2900	2.73	11.44	13.45	80	95	98	4.14	
	18	10	10	07	-	45	3.59	2.40	2.40	1.62	-	2.2	10.0	11.7	490	2400	2900	2.78	11.48	13.45	80	95	98	4.14	
	22	10	10	07	-	49	3.95	2.26	2.26	1.53	-	2.2	10.0	11.7	490	2400	2900	2.78	11.48	13.45	80	95	98	4.05	
	24	10	10	07	-	51	4.31	2.13	2.13	1.44	-	2.2	10.0	11.7	490	2400	2900	2.78	11.48	13.45	80	95	98	4.05	
	13	13	10	07	-	43	2.99	2.99	2.40	1.62	-	2.2	10.0	11.7	490	2400	2900	2.78	11.48	13.45	80	95	98	4.14	
	16	13	10	07	-	46	3.20	2.91	2.33	1.57	-	2.2	10.0	11.7	490	2400	2900	2.78	11.48	13.45	80	95	98	4.14	
	18	13	10	07	-	48	3.39	2.82	2.26	1.53	-	2.2	10.0	11.7	490	2400	2900	2.78	11.48	13.45	80	95	98	4.14	
	22	13	10	07	-	52	3.74	2.67	2.14	1.44	-	2.2	10.0	11.7	490	2400	2900	2.78	11.48	13.45	80	95	98	4.05	
	24	13	10	07	-	54	4.09	2.53	2.02	1.36	-	2.2	10.0	11.7	490	2400	2900	2.78	11.48	13.45	80	95	98	4.05	
	16	16	10	07	-	49	3.11	3.11	2.26	1.53	-	2.2	10.0	11.7	490	2400	2900	2.78	11.48	13.45	80	95	98	4.14	
	18	16	10	07	-	51	3.30	3.02	2.20	1.48	-	2.2	10.0	11.7	490	2400	2900	2.78	11.48	13.45	80	95	98	4.14	
	22	16	10	07	-	55	3.65	2.86	2.08	1.41	-	2.2	10.0	11.7	490	2400	2900	2.78	11.48	13.45	80	95	98	4.05	
	24	16	10	07	-	57	3.99	2.71	1.97	1.33	-	2.2	10.0	11.7	490	2400	2900	2.78	11.48	13.45	80	95	98	4.05	
	18	18	10	07	-	53	3.21	3.21	2.14	1.44	-	2.2	10.0	11.7	490	2400	2900	2.78	11.48	13.45	80	95	98	4.14	
	22	18	10	07	-	57	3.55	3.05	2.03	1.37	-	2.2	10.0	11.7	490	2400	2900	2.78	11.48	13.45	80	95	98	4.05	
	24	18	10	07	-	59	3.89	2.88	1.92	1.30	-	2.2	10.0	11.7	490	2400	2900	2.78	11.48	13.45	80	95	98	4.05	
	13	13	13	07	-	46	2.82	2.82	2.82	1.53	-	2.2	10.0	11.7	490	2400	2900	2.78	11.48	13.45	80	95	98	4.14	
	16	13	13	07	-	49	3.02	2.75	2.75	1.48	-	2.2	10.0	11.7	490	2400	2900	2.78	11.48	13.45	80	95	98	4.14	
	18	13	13	07	-	51	3.21	2.67	2.67	1.44	-	2.2	10.0	11.7	490	2400	2900	2.78	11.48	13.45	80	95	98	4.14	
	22	13	13	07	-	55	3.55	2.54	2.54	1.37	-	2.2	10.0	11.7	490	2400	2900	2.78	11.48	13.45	80	95	98	4.05	
	24	13	13	07	-	57	3.89	2.40	2.40	1.30	-	2.2	10.0	11.7	490	2400	2900	2.78	11.48	13.45	80	95	98	4.05	
	16	16	13	07	-	52	2.94	2.94	2.67	1.44	-	2.2	10.0	11.7	490	2400	2900	2.78	11.48	13.45	80	95	98	4.14	
	18	16	13	07	-	54	3.13	2.86	2.60	1.41	-	2.2	10.0	11.7	490	2400	2900	2.78	11.48	13.45	80	95	98	4.14	
	22	16	13	07	-	58	3.47	2.72	2.48	1.34	-	2.2	10.0	11.7	490	2400	2900	2.78	11.48	13.45	80	95	98	4.05	
	24	16	13	07	-	60	3.80	2.58	2.35	1.27	-	2.2	10.0	11.7	490	2400	2900	2.78	11.48	13.45	80	95	98	4.05	
	18	18	13	07	-	56	3.05	3.05	2.54	1.37	-	2.2	10.0	11.7	490	2400	2900	2.78	11.48	13.45	80	95	98	4.14	
	22	18	13	07	-	60	3.38	2.90	2.42	1.30	-	2.2	10.0	11.7	490	2400	2900	2.78	11.48	13.45	80	95	98	4.05	
	24	18	13	07	-	62	3.72	2.75	2.29	1.24	-	2.2	10.0	11.7	490	2400	2900	2.78	11.48	13.45	80	95	98	4.05	
	10	10	10	10	-	40	2.43	2.43	2.43	2.43	-	2.2	9.7	11.6	470	2370	2780	2.67	11.34	12.89	80	95	98	4.14	
	13	10	10	10	-	43	2.91	2.33	2.33	2.33	-	2.2	9.9	11.7	480	2390	2900	2.73	11.44	13.45	80	95	98	4.14	
	16	10	10	10	-	46	3.14	2.29	2.29	2.29	-	2.2	10.0	11.7	490	2400	2900	2.78	11.48	13.45	80	95	98	4.14	
	18	10	10	10	-	48	3.33	2.22	2.22	2.22	-	2.2	10.0	11.7	490	2400	2900	2.78	11.48	13.45	80	95	98	4.14	
	22	10	10	10	-	52	3.68	2.11	2.11	2.11	-	2.2	10.0	11.7	490	2400	2900	2.78	11.48	13.45	80	95	98	4.05	
	24	10	10	10	-	54	4.03	1.99	1.99	1.99	-	2.2	10.0	11.7	490	2400	2900	2.78	11.48	13.45	80	95	98	4.05	
	13	13	10	10	-	46	2.78	2.78	2.22	2.22	-	2.2	10.0	11.7	490	2400	2900	2.78	11.48	13.45	80	95	98	4.14	
	16	13	10	10	-	49	2.97	2.70	2.16	2.16	-	2.2	10.0	11.7	490	2400	2900	2.78	11.48	13.45	80	95	98	4.14	
	18	13	10	10	-	51	3.16	2.63	2.11	2.11	-	2.2	10.0	11.7	490	2400	2900	2.78	11.48	13.45	80	95	98	4.14	
	22	13	10	10	-	55	3.50	2.50	2.00	2.00	-	2.2	10.0	11.7	490	2400	2900	2.78	11.48	13.45	80	95	98	4.05	
	24	13	10	10	-	57	3.84	2.37	1.90	1.90	-	2.2	10.0	11.7	490	2400	2900	2.78	11.48	13.45	80	95	98	4.05	
	16	16	10	10	-	52	2.89	2.89	2.11	2.11	-	2.2	10.0	11.7	490	2400	2900	2.78	11.48	13.45	80	95	98	4.14	
	18	16	10	10	-	54	3.08	2.82	2.05	2.05	-	2.2	10.0	11.7	490	2400	2900	2.78	11.48	13.45	80	95	98	4.14	
	22	16	10	10	-	58	3.41	2.68	1.95	1.95	-	2.2	10.0	11.7	490	2400	2900	2.78	11.48	13.45	80	95	98	4.05	
	24	16	10	10	-	60	3.75	2.55	1.85	1.85	-	2.2	10.0	11.7	490	2400	2900	2.78	11.48	13.45	80	95	98	4.05	
	18	18	10	10	-	56	3.00	3.00	2.00	2.00	-	2.2	10.0	11.7	490	2400	2900	2.78	11.48	13.45	80	95	98	4.14	
	22	18	10	10	-	60	3.33	2.86	1.90	1.90	-	2.2	10.0	11.7	490	2400	2900	2.78	11.48	13.45	80	95	98	4.05	
	24	18	10	10	-	62	3.67	2.71	1.81	1.81	-	2.2	10.0	11.7	490	2400	2900	2.78	11.48	13.45	80	95	98	4.05	
	13	13	13	10	-	49	2.63	2.63	2.63	2.11	-	2.2	10.0	11.7	490	2400	2900	2.78	11.48	13.45	80	95	98	4.14	
	16	13	13	10	-	52	2.82	2.56	2.56	2.05	-	2.2	10.0	11.7	490	2400	2900	2.78	11.48	13.45	80	95	98	4.14	
	18	13	13	10	-	54	3.00	2.50	2.50	2.00	-	2.2	10.0	11.7	490	2400	2900	2.78	11.48	13.45	80	95	98	4.14	
	22	13	13	10	-	58	3.33	2.38	2.38	1.90	-	2.2	10.0	11.7	490	2400	2900	2.78	11.48	13.45	80	95	98	4.05	
	24	13	13	10	-	60	3.67	2.26	2.26	1.81															

Operation mode : Heating

Power supply voltage : 220V

Operating status	Indoor unit						Unit capacity (kW)					Heating capacity (kW)			Power consumption (W)			Operating current (A)			Power factor (%)			SCOP Rate
	A	B	C	D	E	ΣkBTU	A	B	C	D	E	Min	Rate	Max	Min	Rate	Max	Min	Rate	Max	Min	Rate	Max	
5 units	05	05	05	05	05	25	2.00	2.00	2.00	2.00	2.00	2.7	10.0	12.0	508	2350	3160	2.89	11.24	14.66	80	95	98	4.08
	07	05	05	05	05	27	2.70	2.00	2.00	2.00	2.00	2.7	10.7	12.5	508	2520	3350	2.89	12.06	15.54	80	95	98	4.08
	10	05	05	05	05	30	3.83	1.92	1.92	1.92	1.92	2.7	11.5	13.5	508	2740	4100	2.89	13.11	19.02	80	95	98	4.08
	13	05	05	05	05	33	4.42	1.77	1.77	1.77	1.77	2.7	11.5	13.5	508	2740	4100	2.89	13.11	19.02	80	95	98	4.08
	16	05	05	05	05	36	4.77	1.73	1.73	1.73	1.73	2.7	11.7	13.7	508	2762	4120	2.89	13.22	19.11	80	95	98	4.08
	18	05	05	05	05	38	5.01	1.67	1.67	1.67	1.67	2.7	11.7	13.7	508	2762	4120	2.89	13.22	19.11	80	95	98	4.07
	07	07	05	05	05	29	2.70	2.70	2.00	2.00	2.00	2.7	11.4	13.4	508	2690	4020	2.89	12.87	18.65	80	95	98	4.08
	10	07	05	05	05	32	3.62	2.44	1.81	1.81	1.81	2.7	11.5	13.5	508	2740	4100	2.89	13.11	19.02	80	95	98	4.08
	13	07	05	05	05	35	4.20	2.27	1.68	1.68	1.68	2.7	11.5	13.5	508	2740	4100	2.89	13.11	19.02	80	95	98	4.08
	16	07	05	05	05	38	4.53	2.22	1.65	1.65	1.65	2.7	11.7	13.7	508	2762	4120	2.89	13.22	19.11	80	95	98	4.08
	18	07	05	05	05	40	4.78	2.15	1.59	1.59	1.59	2.7	11.7	13.7	508	2762	4120	2.89	13.22	19.11	80	95	98	4.07
	10	10	05	05	05	35	3.34	3.34	1.67	1.67	1.67	2.7	11.7	13.7	508	2762	4120	2.89	13.22	19.11	80	95	98	4.08
	13	10	05	05	05	38	3.90	3.12	1.56	1.56	1.56	2.7	11.7	13.7	508	2762	4120	2.89	13.22	19.11	80	95	98	4.08
	16	10	05	05	05	41	4.15	3.02	1.51	1.51	1.51	2.7	11.7	13.7	508	2762	4120	2.89	13.22	19.11	80	95	98	4.08
	18	10	05	05	05	43	4.39	2.93	1.46	1.46	1.46	2.7	11.7	13.7	508	2762	4120	2.89	13.22	19.11	80	95	98	4.07
	13	13	05	05	05	41	3.66	3.66	1.46	1.46	1.46	2.7	11.7	13.7	508	2762	4120	2.89	13.22	19.11	80	95	98	4.08
	16	13	05	05	05	44	3.90	3.55	1.42	1.42	1.42	2.7	11.7	13.7	508	2762	4120	2.89	13.22	19.11	80	95	98	4.08
	18	13	05	05	05	46	4.13	3.44	1.38	1.38	1.38	2.7	11.7	13.7	508	2762	4120	2.89	13.22	19.11	80	95	98	4.07
	16	16	05	05	05	47	3.79	3.79	1.38	1.38	1.38	2.7	11.7	13.7	508	2762	4120	2.89	13.22	19.11	80	95	98	4.08
	18	16	05	05	05	49	4.01	3.68	1.34	1.34	1.34	2.7	11.7	13.7	508	2762	4120	2.89	13.22	19.11	80	95	98	4.07
	18	18	05	05	05	51	3.90	3.90	1.30	1.30	1.30	2.7	11.7	13.7	508	2762	4120	2.89	13.22	19.11	80	95	98	4.07
	07	07	07	05	05	31	2.57	2.57	2.57	1.90	1.90	2.7	11.5	13.2	508	2740	4120	2.89	13.11	19.11	80	95	98	4.08
	10	07	07	05	05	34	3.49	2.36	2.36	1.75	1.75	2.7	11.7	13.7	508	2762	4120	2.89	13.22	19.11	80	95	98	4.08
	13	07	07	05	05	37	4.06	2.19	2.19	1.63	1.63	2.7	11.7	13.7	508	2762	4120	2.89	13.22	19.11	80	95	98	4.08
	16	07	07	05	05	40	4.32	2.12	2.12	1.57	1.57	2.7	11.7	13.7	508	2762	4120	2.89	13.22	19.11	80	95	98	4.08
	18	07	07	05	05	42	4.56	2.05	2.05	1.52	1.52	2.7	11.7	13.7	508	2762	4120	2.89	13.22	19.11	80	95	98	4.07
	10	10	07	05	05	37	3.18	3.18	2.15	1.59	1.59	2.7	11.7	13.7	508	2762	4120	2.89	13.22	19.11	80	95	98	4.08
	13	10	07	05	05	40	3.73	2.98	2.01	1.49	1.49	2.7	11.7	13.7	508	2762	4120	2.89	13.22	19.11	80	95	98	4.08
	16	10	07	05	05	43	3.97	2.89	1.95	1.44	1.44	2.7	11.7	13.7	508	2762	4120	2.89	13.22	19.11	80	95	98	4.08
	18	10	07	05	05	45	4.20	2.80	1.89	1.40	1.40	2.7	11.7	13.7	508	2762	4120	2.89	13.22	19.11	80	95	98	4.07
	13	13	07	05	05	43	3.50	3.50	1.89	1.40	1.40	2.7	11.7	13.7	508	2762	4120	2.89	13.22	19.11	80	95	98	4.08
	16	13	07	05	05	46	3.74	3.40	1.84	1.36	1.36	2.7	11.7	13.7	508	2762	4120	2.89	13.22	19.11	80	95	98	4.08
	18	13	07	05	05	48	3.97	3.31	1.78	1.32	1.32	2.7	11.7	13.7	508	2762	4120	2.89	13.22	19.11	80	95	98	4.07
	16	16	07	05	05	49	3.64	3.64	1.78	1.32	1.32	2.7	11.7	13.7	508	2762	4120	2.89	13.22	19.11	80	95	98	4.08
	18	16	07	05	05	51	3.86	3.54	1.74	1.29	1.29	2.7	11.7	13.7	508	2762	4120	2.89	13.22	19.11	80	95	98	4.07
	10	10	10	05	05	40	2.93	2.93	2.93	1.46	1.46	2.7	11.7	13.7	508	2762	4120	2.89	13.22	19.11	80	95	98	4.08
	13	10	10	05	05	43	3.44	2.75	2.75	1.38	1.38	2.7	11.7	13.7	508	2762	4120	2.89	13.22	19.11	80	95	98	4.08
	16	10	10	05	05	46	3.68	2.67	2.67	1.34	1.34	2.7	11.7	13.7	508	2762	4120	2.89	13.22	19.11	80	95	98	4.08
	18	10	10	05	05	48	3.90	2.60	2.60	1.30	1.30	2.7	11.7	13.7	508	2762	4120	2.89	13.22	19.11	80	95	98	4.07
	13	13	10	05	05	46	3.25	3.25	2.60	1.30	1.30	2.7	11.7	13.7	508	2762	4120	2.89	13.22	19.11	80	95	98	4.08
	07	07	07	07	05	33	2.43	2.43	2.43	2.43	1.80	2.7	11.5	13.2	508	2762	4120	2.89	13.22	19.11	80	95	98	4.08
	10	07	07	07	05	36	3.32	2.24	2.24	2.24	1.66	2.7	11.7	13.7	508	2762	4120	2.89	13.22	19.11	80	95	98	4.08
	13	07	07	07	05	39	3.87	2.09	2.09	2.09	1.55	2.7	11.7	13.7	508	2762	4120	2.89	13.22	19.11	80	95	98	4.08
	16	07	07	07	05	42	4.13	2.03	2.03	2.03	1.50	2.7	11.7	13.7	508	2762	4120	2.89	13.22	19.11	80	95	98	4.08
	18	07	07	07	05	44	4.36	1.96	1.96	1.96	1.45	2.7	11.7	13.7	508	2762	4120	2.89	13.22	19.11	80	95	98	4.07
	10	10	07	07	05	39	3.04	3.04	2.05	2.05	1.52	2.7	11.7	13.7	508	2762	4120	2.89	13.22	19.11	80	95	98	4.08
	13	10	07	07	05	42	3.57	2.85	1.93	1.93	1.43	2.7	11.7	13.7	508	2762	4120	2.89	13.22	19.11	80	95	98	4.08
	16	10	07	07	05	45	3.81	2.77	1.87	1.87	1.38	2.7	11.7	13.7	508	2762	4120	2.89	13.22	19.11	80	95	98	4.08
	18	10	07	07	05	47	4.03	2.69	1.82	1.82	1.34	2.7	11.7	13.7	508	2762	4120	2.89	13.22	19.11	80	95	98	4.07
	13	13	07	07	05	45	3.36	3.36	1.82	1.82	1.34	2.7	11.7	13.7	508	2762	4120	2.89	13.22	19.11	80	95	98	4.08
	16	13	07	07	05	48	3.59	3.27	1.76	1.76	1.31	2.7	11.7	13.7	508	2762	4120	2.89	13.22	19.11	80	95	98	4.08
	10	10	10	07	05	42	2.80	2.80	2.80	1.89	1.40	2.7	11.7	13.7	508	2762	4120	2.89	13.22	19.11	80	95	98	4.08
	13	10	10	07	05	45	3.31	2.64	2.64	1.78	1.32	2.7	11.7	13.7	508	2762	4120	2.89	13.22	19.11	80	95	98	4.08
	16	10	10	07	05	48	3.54	2.57	2.57	1.74	1.29	2.7	11.7	13.7	508	2762	4120	2.89	13.22	19.11	80	95	98	4.08
	10	10	10	10	05	45	2.60	2.60	2.60	2.60	1.30	2.7	11.7	13.7	508	2762	4120	2.89	13.22	19.11	80	95	98	4.08
	07	07	07	07	07	35	2.28	2.28	2.28	2.28	2.28	2.7	11.4	13.4	508	2690	4020	2.89	12.87	18.65	80	95	98	4.08
	10	07	07	07	07	38	3.16	2.13	2.13	2.13	2.13	2.7	11.7	13.7	508	2762	4120	2.89	13.22	19.11	80	95	98	4.08
	13	07	07	07	07	41	3.70	2.00	2.00	2.00	2.00	2.7	11.7	13.7	508	2762	4120	2.89	13.22	19.11	80	95	98	4.08
	16	07	07	07	07	44	3.95	1.94	1.94	1.94	1.94	2.7	11.7	13.7	508	2762	412							

Operation mode : Heating

Power supply voltage : 220V

Operating status	Indoor unit						Unit capacity (kW)					Heating capacity (kW)			Power consumption (W)			Operating current (A)			Power factor (%)			SCOP	
	A	B	C	D	E	ΣkBTU	A	B	C	D	E	Min	Rate	Max	Min	Rate	Max	Min	Rate	Max	Min	Rate	Max		Min
5 units	13	13	13	10	07	56	2.70	2.70	2.70	2.16	1.46	2.7	11.7	13.7	508	2762	4120	2.89	13.22	19.11	80	95	98	4.08	
	16	13	13	10	07	59	2.90	2.64	2.64	2.11	1.42	2.7	11.7	13.7	508	2762	4120	2.89	13.22	19.11	80	95	98	4.08	
	18	13	13	10	07	61	3.09	2.58	2.58	2.06	1.39	2.7	11.7	13.7	508	2762	4120	2.89	13.22	19.11	80	95	98	4.07	
	16	16	13	10	07	62	2.83	2.83	2.58	2.06	1.39	2.7	11.7	13.7	508	2762	4120	2.89	13.22	19.11	80	95	98	4.08	
	13	13	13	13	07	59	2.58	2.58	2.58	2.58	1.39	2.7	11.7	13.7	508	2762	4120	2.89	13.22	19.11	80	95	98	4.08	
	16	13	13	13	07	62	2.77	2.52	2.52	2.52	1.36	2.7	11.7	13.7	508	2762	4120	2.89	13.22	19.11	80	95	98	4.08	
	18	13	13	13	07	64	2.96	2.47	2.47	2.47	1.33	2.7	11.7	13.7	508	2762	4120	2.89	13.22	19.11	80	95	98	4.07	
	16	16	13	13	07	65	2.72	2.72	2.47	2.47	1.33	2.7	11.7	13.7	508	2762	4120	2.89	13.22	19.11	80	95	98	4.08	
	10	10	10	10	10	50	2.34	2.34	2.34	2.34	2.34	2.7	11.7	13.7	508	2762	4120	2.89	13.22	19.11	80	95	98	4.08	
	13	10	10	10	10	53	2.79	2.23	2.23	2.23	2.23	2.7	11.7	13.7	508	2762	4120	2.89	13.22	19.11	80	95	98	4.08	
	16	10	10	10	10	56	2.99	2.18	2.18	2.18	2.18	2.7	11.7	13.7	508	2762	4120	2.89	13.22	19.11	80	95	98	4.08	
	18	10	10	10	10	58	3.19	2.13	2.13	2.13	2.13	2.7	11.7	13.7	508	2762	4120	2.89	13.22	19.11	80	95	98	4.07	
	13	13	10	10	10	56	2.66	2.66	2.13	2.13	2.13	2.7	11.7	13.7	508	2762	4120	2.89	13.22	19.11	80	95	98	4.08	
	16	13	10	10	10	59	2.86	2.60	2.08	2.08	2.08	2.7	11.7	13.7	508	2762	4120	2.89	13.22	19.11	80	95	98	4.08	
	18	13	10	10	10	61	3.05	2.54	2.03	2.03	2.03	2.7	11.7	13.7	508	2762	4120	2.89	13.22	19.11	80	95	98	4.07	
	16	16	10	10	10	62	2.80	2.80	2.03	2.03	2.03	2.7	11.7	13.7	508	2762	4120	2.89	13.22	19.11	80	95	98	4.08	
	13	13	13	10	10	59	2.54	2.54	2.54	2.03	2.03	2.7	11.7	13.7	508	2762	4120	2.89	13.22	19.11	80	95	98	4.08	
	16	13	13	10	10	62	2.74	2.49	2.49	1.99	1.99	2.7	11.7	13.7	508	2762	4120	2.89	13.22	19.11	80	95	98	4.08	
	18	13	13	10	10	64	2.93	2.44	2.44	1.95	1.95	2.7	11.7	13.7	508	2762	4120	2.89	13.22	19.11	80	95	98	4.07	
	16	16	13	10	10	65	2.75	2.75	2.50	2.00	2.00	2.7	12.0	14.0	508	2833	4200	2.89	13.56	19.48	80	95	98	4.08	
	13	13	13	13	10	62	2.44	2.44	2.44	2.44	1.95	2.7	11.7	13.7	508	2762	4120	2.89	13.22	19.11	80	95	98	4.08	
	16	13	13	13	10	65	2.69	2.45	2.45	2.45	1.96	2.7	12.0	14.0	508	2833	4200	2.89	13.56	19.48	80	95	98	4.08	
	18	13	13	13	10	67	2.88	2.40	2.40	2.40	1.92	2.7	12.0	14.0	508	2833	4200	2.89	13.56	19.48	80	95	98	4.07	
	16	16	13	13	10	68	2.64	2.64	2.40	2.40	1.92	2.7	12.0	14.0	508	2833	4200	2.89	13.56	19.48	80	95	98	4.08	
	13	13	13	13	13	65	2.40	2.40	2.40	2.40	2.40	2.7	12.0	14.0	508	2833	4200	2.89	13.56	19.48	80	95	98	4.08	
	16	13	13	13	13	68	2.59	2.35	2.35	2.35	2.35	2.7	12.0	14.0	508	2833	4200	2.89	13.56	19.48	80	95	98	4.08	
	22	05*	05*	05*	05*	42	5.46	1.56	1.56	1.56	1.56	2.7	11.7	13.7	508	2762	4120	2.89	13.22	19.11	80	95	98	3.95	
	24	05*	05*	05*	05*	44	5.89	1.45	1.45	1.45	1.45	2.7	11.7	13.7	508	2762	4120	2.89	13.22	19.11	80	95	98	3.95	
	22	07*	05*	05*	05*	44	5.22	2.01	1.49	1.49	1.49	2.7	11.7	13.7	508	2762	4120	2.89	13.22	19.11	80	95	98	3.95	
	24	07*	05*	05*	05*	46	5.64	1.88	1.39	1.39	1.39	2.7	11.7	13.7	508	2762	4120	2.89	13.22	19.11	80	95	98	3.95	
	22	10*	05*	05*	05*	47	4.82	2.75	1.38	1.38	1.38	2.7	11.7	13.7	508	2762	4120	2.89	13.22	19.11	80	95	98	3.95	
	24	10*	05*	05*	05*	49	5.24	2.59	1.29	1.29	1.29	2.7	11.7	13.7	508	2762	4120	2.89	13.22	19.11	80	95	98	3.95	
	22	13*	05*	05*	05*	50	4.55	3.25	1.30	1.30	1.30	2.7	11.7	13.7	508	2762	4120	2.89	13.22	19.11	80	95	98	3.95	
	24	13*	05*	05*	05*	52	4.96	3.06	1.23	1.23	1.23	2.7	11.7	13.7	508	2762	4120	2.89	13.22	19.11	80	95	98	3.95	
	22	07*	07*	05*	05*	46	4.99	1.93	1.93	1.43	1.43	2.7	11.7	13.7	508	2762	4120	2.89	13.22	19.11	80	95	98	3.95	
	24	07*	07*	05*	05*	48	5.42	1.81	1.81	1.34	1.34	2.7	11.7	13.7	508	2762	4120	2.89	13.22	19.11	80	95	98	3.95	
	22	10*	07*	05*	05*	49	4.63	2.64	1.78	1.32	1.32	2.7	11.7	13.7	508	2762	4120	2.89	13.22	19.11	80	95	98	3.95	
	24	10*	07*	05*	05*	51	5.04	2.49	1.68	1.24	1.24	2.7	11.7	13.7	508	2762	4120	2.89	13.22	19.11	80	95	98	3.95	
	22	13*	07*	05*	05*	52	4.38	3.13	1.69	1.25	1.25	2.7	11.7	13.7	508	2762	4120	2.89	13.22	19.11	80	95	98	3.95	
	24	13*	07*	05*	05*	54	4.79	2.95	1.60	1.18	1.18	2.7	11.7	13.7	508	2762	4120	2.89	13.22	19.11	80	95	98	3.95	
	22	10*	10*	05*	05*	52	4.31	2.46	2.46	1.23	1.23	2.7	11.7	13.7	508	2762	4120	2.89	13.22	19.11	80	95	98	3.95	
	24	10*	10*	05*	05*	54	4.71	2.33	2.33	1.16	1.16	2.7	11.7	13.7	508	2762	4120	2.89	13.22	19.11	80	95	98	3.95	
	22	13*	10*	05*	05*	55	4.10	2.93	2.34	1.17	1.17	2.7	11.7	13.7	508	2762	4120	2.89	13.22	19.11	80	95	98	3.95	
	24	13*	10*	05*	05*	57	4.49	2.77	2.22	1.11	1.11	2.7	11.7	13.7	508	2762	4120	2.89	13.22	19.11	80	95	98	3.95	
	22	13*	13*	05*	05*	58	3.90	2.79	2.79	1.11	1.11	2.7	11.7	13.7	508	2762	4120	2.89	13.22	19.11	80	95	98	3.95	
	24	13*	13*	05*	05*	60	4.29	2.65	2.65	1.06	1.06	2.7	11.7	13.7	508	2762	4120	2.89	13.22	19.11	80	95	98	3.95	
	22	07*	07*	07*	05*	48	4.79	1.85	1.85	1.85	1.37	2.7	11.7	13.7	508	2762	4120	2.89	13.22	19.11	80	95	98	3.95	
	24	07*	07*	07*	05*	50	5.21	1.74	1.74	1.74	1.29	2.7	11.7	13.7	508	2762	4120	2.89	13.22	19.11	80	95	98	3.95	
	22	10*	07*	07*	05*	51	4.45	2.54	1.72	1.72	1.27	2.7	11.7	13.7	508	2762	4120	2.89	13.22	19.11	80	95	98	3.95	
	24	10*	07*	07*	05*	53	4.86	2.40	1.62	1.62	1.20	2.7	11.7	13.7	508	2762	4120	2.89	13.22	19.11	80	95	98	3.95	
	22	13*	07*	07*	05*	54	4.22	3.02	1.63	1.63	1.21	2.7	11.7	13.7	508	2762	4120	2.89	13.22	19.11	80	95	98	3.95	
	24	13*	07*	07*	05*	56	4.62	2.85	1.54	1.54	1.14	2.7	11.7	13.7	508	2762	4120	2.89	13.22	19.11	80	95	98	3.95	
	22	10*	10*	07*	05*	54	4.16	2.38	1.68	1.60	1.19	2.7	11.7	13.7	508	2762	4120	2.89	13.22	19.11	80	95	98	3.95	
	24	10*	10*	07*	05*	56	4.56	2.25	2.25	1.52	1.13	2.7	11.7	13.7	508	2762	4120	2.89	13.22	19.11	80	95	98	3.95	
	22	13*	10*	07*	05*	57	3.96	2.83	2.26	1.53	1.13	2.7	11.7	13.7	508	2762	4120	2.89	13.22	19.11	80	95	98	3.95	
	24	13*	10*	07*	05*	59	4.35	2.68	2.15	1.45	1.07	2.7	11.7	13.7	508	2762	4120	2.89	13.22	19.11	80	95	98	3.95	
	22	13*	13*	07*	05*	60	3.77	2.70	2.70	1.46	1.08	2.7	11.7	13.7	508	2762	4120	2.89	13.22	19.11	80	95	98	3.95	
	24	13*	13*	07*	05*	62	4.16	2.57	2.57	1.39	1.03	2.7	11.7	13.7	508	2762	4120	2.89	13.22	19.11	80	95	98	3.95	
	22	10*	10*	10*	05*	57	3.90	2.23	2.23	2.23	1.11	2.7	11.7	13.7	50										

Operation mode : Heating

Power supply voltage : 230V

Operating status	Indoor unit						Unit capacity (kW)					Heating capacity (kW)			Power consumption (W)			Operating current (A)			Power factor (%)			SCOP
	A	B	C	D	E	ΣkBTU	A	B	C	D	E	Min	Rate	Max	Min	Rate	Max	Min	Rate	Max	Min	Rate	Max	
1 unit	05	-	-	-	-	5	2.00	-	-	-	-	0.8	2.0	2.7	300	600	900	1.79	3.00	3.99	73	87	98	-
	07	-	-	-	-	7	2.70	-	-	-	-	0.8	2.7	4.8	300	900	1980	1.79	4.50	8.78	73	87	98	-
	10	-	-	-	-	10	4.00	-	-	-	-	0.8	4.0	5.2	300	1450	1980	1.79	6.64	8.78	73	95	98	-
	13	-	-	-	-	13	5.00	-	-	-	-	0.8	5.0	6.5	310	2050	2750	1.85	9.38	12.20	73	95	98	-
	16	-	-	-	-	16	5.50	-	-	-	-	0.8	5.5	6.9	310	2400	3000	1.85	10.98	13.31	73	95	98	-
	18	-	-	-	-	18	6.00	-	-	-	-	0.8	6.0	7.1	310	2630	3200	1.85	12.04	14.20	73	95	98	-
	22	-	-	-	-	22	7.00	-	-	-	-	1.8	7.0	8.2	330	2700	3600	1.97	12.23	15.97	73	96	98	-
	24	-	-	-	-	24	8.10	-	-	-	-	1.8	8.1	8.6	330	3300	3700	1.97	14.95	16.42	73	96	98	-
2 units	05	05	-	-	-	10	2.00	2.00	-	-	-	1.5	4.0	6.0	320	1130	1260	1.86	5.17	5.59	75	95	98	3.90
	07	05	-	-	-	12	2.70	2.00	-	-	-	1.5	4.7	6.7	320	1340	1500	1.86	6.13	6.65	75	95	98	3.94
	10	05	-	-	-	15	4.00	2.00	-	-	-	1.5	6.0	8.0	320	1750	1900	1.86	8.01	8.43	75	95	98	4.04
	13	05	-	-	-	18	5.00	2.00	-	-	-	1.5	7.0	10.0	320	2060	2440	1.86	9.43	10.83	75	95	98	4.04
	16	05	-	-	-	21	5.50	2.00	-	-	-	1.5	7.5	10.1	320	2250	2470	1.86	10.30	10.96	75	95	98	4.04
	18	05	-	-	-	23	6.00	2.00	-	-	-	1.5	8.0	10.1	320	2340	3200	1.86	10.71	14.20	75	95	98	4.04
	22	05	-	-	-	27	6.46	1.84	-	-	-	1.5	8.3	10.2	320	2400	3200	1.86	10.98	14.20	75	95	98	4.05
	24	05	-	-	-	29	6.66	1.64	-	-	-	1.5	8.3	10.4	320	2470	3240	1.86	11.30	14.37	75	95	98	4.04
	07	07	-	-	-	14	2.70	2.70	-	-	-	1.5	5.4	7.4	320	1500	2200	1.86	6.86	9.76	75	95	98	4.04
	10	07	-	-	-	17	4.00	2.70	-	-	-	1.5	6.7	8.9	320	1900	2600	1.86	8.70	11.54	75	95	98	4.04
	13	07	-	-	-	20	4.81	2.59	-	-	-	1.5	7.4	10.1	320	2220	2900	1.86	10.16	12.87	75	95	98	4.04
	16	07	-	-	-	23	5.10	2.50	-	-	-	1.5	7.6	10.1	320	2480	3230	1.86	11.35	14.33	75	95	98	4.04
	18	07	-	-	-	25	5.45	2.45	-	-	-	1.5	7.9	10.1	320	2480	3230	1.86	11.35	14.33	75	95	98	4.04
	22	07	-	-	-	29	5.70	2.20	-	-	-	1.5	7.9	10.1	320	2480	3230	1.86	11.35	14.33	75	95	98	4.05
	24	07	-	-	-	31	6.23	2.08	-	-	-	1.5	8.3	10.2	320	2700	3240	1.86	12.36	14.37	75	95	98	4.04
	10	10	-	-	-	20	3.60	3.60	-	-	-	1.5	7.2	10.0	320	2100	2950	1.86	9.61	13.09	75	95	98	4.04
	13	10	-	-	-	23	4.22	3.38	-	-	-	1.5	7.6	10.1	320	2320	3210	1.86	10.62	14.24	75	95	98	4.04
	16	10	-	-	-	26	4.57	3.33	-	-	-	1.5	7.9	10.1	320	2480	3230	1.86	11.35	14.33	75	95	98	4.04
	18	10	-	-	-	28	4.74	3.16	-	-	-	1.5	7.9	10.1	320	2480	3230	1.86	11.35	14.33	75	95	98	4.04
	22	10	-	-	-	32	5.28	3.02	-	-	-	1.5	8.3	10.2	320	2700	3240	1.86	12.36	14.37	75	95	98	4.05
	24	10	-	-	-	34	5.76	2.84	-	-	-	1.5	8.6	10.2	320	2860	3250	1.86	13.09	14.42	75	95	98	4.04
	13	13	-	-	-	26	3.95	3.95	-	-	-	1.5	7.9	10.1	320	2480	3230	1.86	11.35	14.33	75	95	98	4.04
	16	13	-	-	-	29	4.35	3.95	-	-	-	1.5	8.3	10.2	320	2700	3240	1.86	12.36	14.37	75	95	98	4.04
	18	13	-	-	-	31	4.53	3.77	-	-	-	1.5	8.3	10.2	320	2700	3240	1.86	12.36	14.37	75	95	98	4.04
	22	13	-	-	-	35	5.02	3.58	-	-	-	1.5	8.6	10.2	320	2860	3250	1.86	13.09	14.42	75	95	98	4.05
	24	13	-	-	-	37	5.32	3.28	-	-	-	1.5	8.6	10.2	320	2860	3250	1.86	13.09	14.42	75	95	98	4.04
	16	16	-	-	-	32	4.30	4.30	-	-	-	1.5	8.6	10.2	320	2860	3250	1.86	13.09	14.42	75	95	98	4.04
	18	16	-	-	-	34	4.49	4.11	-	-	-	1.5	8.6	10.2	320	2860	3250	1.86	13.09	14.42	75	95	98	4.04
	22	16	-	-	-	38	4.82	3.78	-	-	-	1.5	8.6	10.2	320	2860	3250	1.86	13.09	14.42	75	95	98	4.05
	24	16	-	-	-	40	5.12	3.48	-	-	-	1.5	8.6	10.2	320	2860	3250	1.86	13.09	14.42	75	95	98	4.04
	18	18	-	-	-	36	4.30	4.30	-	-	-	1.5	8.6	10.2	320	2860	3250	1.86	13.09	14.42	75	95	98	4.04
	22	18	-	-	-	40	4.63	3.97	-	-	-	1.5	8.6	10.2	320	2860	3250	1.86	13.09	14.42	75	95	98	4.04
24	18	-	-	-	42	4.94	3.66	-	-	-	1.5	8.6	10.2	320	2860	3250	1.86	13.09	14.42	75	95	98	4.04	
22	22	-	-	-	44	4.50	4.50	-	-	-	1.5	9.0	10.6	320	2200	2590	1.86	9.96	11.49	75	96	98	4.25	
24	22	-	-	-	46	4.83	4.17	-	-	-	1.5	9.0	10.6	320	2200	2590	1.86	9.96	11.49	75	96	98	4.25	
24	24	-	-	-	48	4.55	4.55	-	-	-	1.5	9.1	10.7	320	2220	2610	1.86	10.05	11.58	75	96	98	4.25	

Specification values are those under the condition as follows ;
 Heating : Capacity test condition, inside : 20 °C (Db), outside : 7 °C (Db) / 6°C (Wb)
 Piping length : 5 m. per indoor unit.

Operation mode : Heating

Power supply voltage : 230V

Operating status	Indoor unit					Unit capacity (kW)					Heating capacity (kW)			Power consumption (W)			Operating current (A)			Power factor (%)			SCOP		
	A	B	C	D	E	A	B	C	D	E	Min	Rate	Max	Min	Rate	Max	Min	Rate	Max	Min	Rate	Max	Min	Rate	Max
3 units	05	05	05	-	-	15	2.00	2.00	2.00	-	-	2.0	6.0	8.0	380	1700	2000	2.07	7.78	8.87	80	95	98	4.12	
	07	05	05	-	-	17	2.70	2.00	2.00	-	-	2.0	6.7	8.9	380	1850	2080	2.07	8.47	9.23	80	95	98	4.16	
	10	05	05	-	-	20	4.00	2.00	2.00	-	-	2.0	8.0	10.1	380	2290	2750	2.07	10.48	12.20	80	95	98	4.17	
	13	05	05	-	-	23	4.94	1.98	1.98	-	-	2.0	8.9	10.7	380	2350	2760	2.07	10.76	12.24	80	95	98	4.17	
	16	05	05	-	-	26	5.15	1.87	1.87	-	-	2.0	8.9	10.7	380	2350	2760	2.07	10.76	12.24	80	95	98	4.17	
	18	05	05	-	-	28	5.34	1.78	1.78	-	-	2.0	8.9	10.7	380	2350	2760	2.07	10.76	12.24	80	95	98	4.17	
	22	05	05	-	-	32	5.66	1.62	1.62	-	-	2.0	8.9	10.7	380	2350	2760	2.07	10.76	12.24	80	95	98	4.06	
	24	05	05	-	-	34	5.96	1.47	1.47	-	-	2.0	8.9	10.7	380	2350	2760	2.07	10.76	12.24	80	95	98	4.06	
	07	07	05	-	-	19	2.70	2.70	2.00	-	-	2.0	7.4	10.1	380	2000	2700	2.07	9.15	11.98	80	95	98	4.17	
	10	07	05	-	-	22	4.00	2.70	2.00	-	-	2.0	8.7	10.5	380	2200	2700	2.07	10.07	11.98	80	95	98	4.17	
	13	07	05	-	-	25	4.59	2.48	1.84	-	-	2.0	8.9	10.7	380	2350	2760	2.07	10.76	12.24	80	95	98	4.17	
	16	07	05	-	-	28	4.80	2.36	1.75	-	-	2.0	8.9	10.7	380	2350	2760	2.07	10.76	12.24	80	95	98	4.17	
	18	07	05	-	-	30	4.99	2.25	1.66	-	-	2.0	8.9	10.7	380	2350	2760	2.07	10.76	12.24	80	95	98	4.17	
	22	07	05	-	-	34	5.32	2.05	1.52	-	-	2.0	8.9	10.7	380	2350	2760	2.07	10.76	12.24	80	95	98	4.06	
	24	07	05	-	-	36	5.63	1.88	1.39	-	-	2.0	8.9	10.7	380	2350	2760	2.07	10.76	12.24	80	95	98	4.06	
	10	10	05	-	-	25	3.56	3.56	1.78	-	-	2.0	8.9	10.7	380	2350	2760	2.07	10.76	12.24	80	95	98	4.17	
	13	10	05	-	-	28	4.05	3.24	1.62	-	-	2.0	8.9	10.7	380	2350	2760	2.07	10.76	12.24	80	95	98	4.17	
	16	10	05	-	-	31	4.26	3.10	1.55	-	-	2.0	8.9	10.7	380	2350	2760	2.07	10.76	12.24	80	95	98	4.17	
	18	10	05	-	-	33	4.45	2.97	1.48	-	-	2.0	8.9	10.7	380	2350	2760	2.07	10.76	12.24	80	95	98	4.17	
	22	10	05	-	-	37	4.79	2.74	1.37	-	-	2.0	8.9	10.7	380	2350	2760	2.07	10.76	12.24	80	95	98	4.06	
	24	10	05	-	-	39	5.11	2.52	1.26	-	-	2.0	8.9	10.7	380	2350	2760	2.07	10.76	12.24	80	95	98	4.06	
	13	13	05	-	-	31	3.71	3.71	1.48	-	-	2.0	8.9	10.7	380	2350	2760	2.07	10.76	12.24	80	95	98	4.17	
	16	13	05	-	-	34	3.92	3.56	1.42	-	-	2.0	8.9	10.7	380	2350	2760	2.07	10.76	12.24	80	95	98	4.17	
	18	13	05	-	-	36	4.11	3.42	1.37	-	-	2.0	8.9	10.7	380	2350	2760	2.07	10.76	12.24	80	95	98	4.17	
	22	13	05	-	-	40	4.45	3.18	1.27	-	-	2.0	8.9	10.7	380	2350	2760	2.07	10.76	12.24	80	95	98	4.06	
	24	13	05	-	-	42	4.77	2.95	1.18	-	-	2.0	8.9	10.7	380	2350	2760	2.07	10.76	12.24	80	95	98	4.06	
	16	16	05	-	-	37	3.77	3.77	1.37	-	-	2.0	8.9	10.7	380	2350	2760	2.07	10.76	12.24	80	95	98	4.17	
	18	16	05	-	-	39	3.96	3.63	1.32	-	-	2.0	8.9	10.7	380	2350	2760	2.07	10.76	12.24	80	95	98	4.17	
	22	16	05	-	-	43	4.30	3.38	1.23	-	-	2.0	8.9	10.7	380	2350	2760	2.07	10.76	12.24	80	95	98	4.06	
	24	16	05	-	-	45	4.88	3.31	1.21	-	-	2.0	9.4	11.2	380	2370	2880	2.07	10.85	12.78	80	95	98	4.06	
	18	18	05	-	-	41	3.81	3.81	1.27	-	-	2.0	8.9	10.7	380	2350	2760	2.07	10.76	12.24	80	95	98	4.16	
	22	18	05	-	-	45	4.39	3.76	1.25	-	-	2.0	9.4	11.2	380	2290	2630	2.07	10.48	11.67	80	95	98	4.06	
	24	18	05	-	-	47	4.73	3.50	1.17	-	-	2.0	9.4	11.2	380	2290	2630	2.07	10.48	11.67	80	95	98	4.06	
	22	22	05	-	-	49	4.11	4.11	1.18	-	-	2.0	9.4	11.2	380	2290	2630	2.07	10.48	11.67	80	95	98	4.07	
	24	22	05	-	-	51	4.45	3.85	1.10	-	-	2.0	9.4	11.2	380	2290	2630	2.07	10.48	11.67	80	95	98	4.07	
	24	24	05	-	-	53	4.18	4.18	1.03	-	-	2.0	9.4	11.2	380	2290	2630	2.07	10.48	11.67	80	95	98	4.07	
	07	07	07	-	-	21	2.70	2.70	2.70	-	-	2.0	8.1	10.4	380	2290	2750	2.07	10.48	12.20	80	95	98	4.17	
	10	07	07	-	-	24	3.53	2.38	2.38	-	-	2.0	8.3	10.4	380	2300	2750	2.07	10.53	12.20	80	95	98	4.17	
	13	07	07	-	-	27	4.13	2.23	2.23	-	-	2.0	8.6	10.4	380	2300	2750	2.07	10.53	12.20	80	95	98	4.17	
	16	07	07	-	-	30	4.39	2.16	2.16	-	-	2.0	8.7	10.5	380	2350	2760	2.07	10.76	12.24	80	95	98	4.17	
	18	07	07	-	-	32	4.58	2.06	2.06	-	-	2.0	8.7	10.5	380	2350	2760	2.07	10.76	12.24	80	95	98	4.17	
	22	07	07	-	-	36	4.91	1.89	1.89	-	-	2.0	8.7	10.5	380	2350	2760	2.07	10.76	12.24	80	95	98	4.06	
	24	07	07	-	-	38	5.22	1.74	1.74	-	-	2.0	8.7	10.5	380	2350	2760	2.07	10.76	12.24	80	95	98	4.06	
	10	10	07	-	-	27	3.18	3.18	2.14	-	-	2.0	8.5	10.4	380	2300	2750	2.07	10.53	12.20	80	95	98	4.17	
	13	10	07	-	-	30	3.72	2.97	2.01	-	-	2.0	8.7	10.5	380	2350	2760	2.07	10.76	12.24	80	95	98	4.17	
	16	10	07	-	-	33	3.92	2.85	1.93	-	-	2.0	8.7	10.5	380	2350	2760	2.07	10.76	12.24	80	95	98	4.17	
	18	10	07	-	-	35	4.11	2.74	1.85	-	-	2.0	8.7	10.5	380	2350	2760	2.07	10.76	12.24	80	95	98	4.17	
	22	10	07	-	-	39	4.50	2.57	1.73	-	-	2.0	8.8	10.6	380	2400	2780	2.07	10.98	12.33	80	95	98	4.06	
24	10	07	-	-	41	4.82	2.38	1.61	-	-	2.0	8.8	10.6	380	2400	2780	2.07	10.98	12.33	80	95	98	4.06		
13	13	07	-	-	33	3.43	3.43	1.85	-	-	2.0	8.7	10.5	380	2350	2760	2.07	10.76	12.24	80	95	98	4.17		
16	13	07	-	-	36	3.67	3.33	1.80	-	-	2.0	8.8	10.6	380	2400	2780	2.07	10.98	12.33	80	95	98	4.17		
18	13	07	-	-	38	3.85	3.21	1.73	-	-	2.0	8.8	10.6	380	2400	2780	2.07	10.98	12.33	80	95	98	4.17		
22	13	07	-	-	42	4.24	3.03	1.63	-	-	2.0	8.9	10.7	380	2450	2790	2.07	11.21	12.38	80	95	98	4.06		
24	13	07	-	-	44	4.56	2.82	1.52	-	-	2.0	8.9	10.7	380	2450	2790	2.07	11.21	12.38	80	95	98	4.06		
16	16	07	-	-	39	3.57	3.57	1.75	-	-	2.0	8.9	10.7	380	2450	2790	2.07	11.21	12.38	80	95	98	4.17		
18	16	07	-	-	41	3.76	3.45	1.69	-	-	2.0	8.9	10.7	380	2450	2790	2.07	11.21	12.38	80	95	98	4.17		
22	16	07	-	-	45	4.10	3.22	1.58	-	-	2.0	8.9	10.7	380	2450	2790	2.07	11.21	12.38	80	95	98	4.06		
24	16	07	-	-	47	4.42	3.00	1.47	-	-	2.0	8.9	10.7	380	2450	2790	2.07	11.21	12.38	80	95	98	4.06		
18	18	07	-	-	43	3.63	3.63	1.63	-	-	2.0	8.9	10.7	380	2450	2790	2.07	11.21	12.38	80	95	98	4.16		
22	18	07	-	-	47	3.97	3.40	1.53	-	-	2.0	8.9	10.7	380	2450	2790	2.07	11.21	12.38	80	95	98	4.06		
24	18	07	-	-	49	4.29	3.18	1.43	-	-	2.0	8.9	10.7	380	2450	2790	2.07	11.21	12.38	80	95	98	4.06		
22	22	07	-	-	51	3.86	3.86	1.49	-	-	2.0	9.2	11.0	380	2250	2590	2.07	10.19	11.49	80	96	98	4.03		
24	22	07	-	-	53	4.23	3.66	1.41	-	-	2.0	9.3	11.1	380	2270	2									

Operation mode : Heating

Power supply voltage : 230V

Operating status	Indoor unit					Unit capacity (kW)					Heating capacity (kW)			Power consumption (W)			Operating current (A)			Power factor (%)			COP Rate	
	A	B	C	D	E	ΣkBTU	A	B	C	D	E	Min	Rate	Max	Min	Rate	Max	Min	Rate	Max	Min	Rate		Max
3 units	13	13	13	-	-	39	2.93	2.93	2.93	-	-	2.0	8.8	10.6	380	2400	2780	2.07	10.98	12.33	80	95	98	3.67
	16	13	13	-	-	42	3.16	2.87	2.87	-	-	2.0	8.9	10.7	380	2450	2790	2.07	11.21	12.38	80	95	98	3.63
	18	13	13	-	-	44	3.34	2.78	2.78	-	-	2.0	8.9	10.7	380	2450	2790	2.07	11.21	12.38	80	95	98	3.63
	22	13	13	-	-	48	3.66	2.62	2.62	-	-	2.0	8.9	10.7	380	2450	2790	2.07	11.21	12.38	80	95	98	3.63
	24	13	13	-	-	50	3.98	2.46	2.46	-	-	2.0	8.9	10.7	380	2450	2790	2.07	11.21	12.38	80	95	98	3.63
	16	16	13	-	-	45	3.06	3.06	2.78	-	-	2.0	8.9	10.7	380	2450	2790	2.07	11.21	12.38	80	95	98	3.63
	18	16	13	-	-	47	3.24	2.97	2.70	-	-	2.0	8.9	10.7	380	2450	2790	2.07	11.21	12.38	80	95	98	3.63
	22	16	13	-	-	51	3.56	2.80	2.54	-	-	2.0	8.9	10.7	380	2450	2790	2.07	11.21	12.38	80	95	98	3.63
	24	16	13	-	-	53	3.88	2.63	2.39	-	-	2.0	8.9	10.7	380	2450	2790	2.07	11.21	12.38	80	95	98	3.63
	18	18	13	-	-	49	3.14	3.14	2.62	-	-	2.0	8.9	10.7	380	2450	2790	2.07	11.21	12.38	80	95	98	3.63
	22	18	13	-	-	53	3.62	3.10	2.58	-	-	2.0	9.3	11.1	380	2270	2610	2.07	10.39	11.58	80	95	98	4.10
	24	18	13	-	-	55	3.94	2.92	2.43	-	-	2.0	9.3	11.1	380	2270	2610	2.07	10.39	11.58	80	95	98	4.10
	16	16	16	-	-	48	2.97	2.97	2.97	-	-	2.0	8.9	10.7	380	2450	2790	2.07	11.21	12.38	80	95	98	3.63

Specification values are those under the condition as follows ;
 Heating : Capacity test condition, inside : 20 °C (Db), outside : 7 °C (Db) / 6°C (Wb)
 Piping length : 5 m. per indoor unit.

Operation mode : Heating

Power supply voltage : 230V

Operating status	Indoor unit						Unit capacity (kW)					Heating capacity (kW)			Power consumption (W)			Operating current (A)			Power factor (%)			SCOP
	A	B	C	D	E	ΣkBTU	A	B	C	D	E	Min	Rate	Max	Min	Rate	Max	Min	Rate	Max	Min	Rate	Max	
4 units	05	05	05	05	-	20	2.00	2.00	2.00	2.00	-	2.2	8.0	11.4	450	1880	2830	2.45	8.60	12.56	80	95	98	4.14
	07	05	05	05	-	22	2.70	2.00	2.00	2.00	-	2.2	8.7	11.4	450	2060	2830	2.45	9.43	12.56	80	95	98	4.14
	10	05	05	05	-	25	3.76	1.88	1.88	1.88	-	2.2	9.4	11.4	450	2220	2830	2.45	10.16	12.56	80	95	98	4.14
	13	05	05	05	-	28	4.36	1.75	1.75	1.75	-	2.2	9.6	11.5	450	2310	2850	2.45	10.57	12.64	80	95	98	4.14
	16	05	05	05	-	31	4.69	1.70	1.70	1.70	-	2.2	9.8	11.5	450	2380	2850	2.45	10.89	12.64	80	95	98	4.14
	18	05	05	05	-	33	4.90	1.63	1.63	1.63	-	2.2	9.8	11.5	450	2380	2850	2.45	10.89	12.64	80	95	98	4.14
	22	05	05	05	-	37	5.28	1.51	1.51	1.51	-	2.2	9.8	11.5	450	2380	2850	2.45	10.89	12.64	80	95	98	4.05
	24	05	05	05	-	39	5.63	1.39	1.39	1.39	-	2.2	9.8	11.5	450	2380	2850	2.45	10.89	12.64	80	95	98	4.05
	07	07	05	05	-	24	2.70	2.70	2.00	2.00	-	2.2	9.4	11.2	450	2300	2800	2.45	10.53	12.42	80	95	98	4.14
	10	07	05	05	-	27	3.59	2.42	1.79	1.79	-	2.2	9.6	11.5	450	2360	2850	2.45	10.80	12.64	80	95	98	4.14
	13	07	05	05	-	30	4.19	2.26	1.68	1.68	-	2.2	9.8	11.5	450	2380	2850	2.45	10.89	12.64	80	95	98	4.14
	16	07	05	05	-	33	4.42	2.17	1.61	1.61	-	2.2	9.8	11.5	450	2380	2850	2.45	10.89	12.64	80	95	98	4.14
	18	07	05	05	-	35	4.63	2.08	1.54	1.54	-	2.2	9.8	11.5	450	2380	2850	2.45	10.89	12.64	80	95	98	4.14
	22	07	05	05	-	39	5.01	1.93	1.43	1.43	-	2.2	9.8	11.5	450	2380	2850	2.45	10.89	12.64	80	95	98	4.05
	24	07	05	05	-	41	5.47	1.82	1.35	1.35	-	2.2	10.0	11.7	450	2400	2900	2.45	10.98	12.87	80	95	98	4.05
	10	10	05	05	-	30	3.27	3.27	1.63	1.63	-	2.2	9.8	11.5	450	2380	2850	2.45	10.89	12.64	80	95	98	4.14
	13	10	05	05	-	33	3.77	3.02	1.51	1.51	-	2.2	9.8	11.5	450	2380	2850	2.45	10.89	12.64	80	95	98	4.14
	16	10	05	05	-	36	3.99	2.90	1.45	1.45	-	2.2	9.8	11.5	450	2380	2850	2.45	10.89	12.64	80	95	98	4.14
	18	10	05	05	-	38	4.20	2.80	1.40	1.40	-	2.2	9.8	11.5	450	2380	2850	2.45	10.89	12.64	80	95	98	4.14
	22	10	05	05	-	42	4.67	2.67	1.33	1.33	-	2.2	10.0	11.7	450	2400	2900	2.45	10.98	12.87	80	95	98	4.05
	24	10	05	05	-	44	5.03	2.48	1.24	1.24	-	2.2	10.0	11.7	450	2400	2900	2.45	10.98	12.87	80	95	98	4.05
	13	13	05	05	-	36	3.50	3.50	1.40	1.40	-	2.2	9.8	11.5	450	2380	2900	2.45	10.89	12.87	80	95	98	4.14
	16	13	05	05	-	39	3.72	3.38	1.35	1.35	-	2.2	9.8	11.5	450	2380	2900	2.45	10.89	12.87	80	95	98	4.14
	18	13	05	05	-	41	4.00	3.33	1.33	1.33	-	2.2	10.0	11.7	450	2400	2900	2.45	10.98	12.87	80	95	98	4.14
	22	13	05	05	-	45	4.38	3.13	1.25	1.25	-	2.2	10.0	11.7	450	2400	2900	2.45	10.98	12.87	80	95	98	4.05
	24	13	05	05	-	47	4.74	2.92	1.17	1.17	-	2.2	10.0	11.7	450	2400	2900	2.45	10.98	12.87	80	95	98	4.05
	16	16	05	05	-	42	3.67	3.67	1.33	1.33	-	2.2	10.0	11.7	450	2400	2900	2.45	10.98	12.87	80	95	98	4.14
	18	16	05	05	-	44	3.87	3.55	1.29	1.29	-	2.2	10.0	11.7	450	2400	2900	2.45	10.98	12.87	80	95	98	4.14
	22	16	05	05	-	48	4.24	3.33	1.21	1.21	-	2.2	10.0	11.7	450	2400	2900	2.45	10.98	12.87	80	95	98	4.05
	24	16	05	05	-	50	4.60	3.13	1.14	1.14	-	2.2	10.0	11.7	450	2400	2900	2.45	10.98	12.87	80	95	98	4.05
	18	18	05	05	-	46	3.75	3.75	1.25	1.25	-	2.2	10.0	11.7	450	2400	2900	2.45	10.98	12.87	80	95	98	4.14
	22	18	05	05	-	50	4.12	3.53	1.18	1.18	-	2.2	10.0	11.7	450	2400	2900	2.45	10.98	12.87	80	95	98	4.05
	24	18	05	05	-	52	4.48	3.31	1.10	1.10	-	2.2	10.0	11.7	450	2400	2900	2.45	10.98	12.87	80	95	98	4.05
	22	22	05	05	-	54	3.89	3.89	1.11	1.11	-	2.2	10.0	11.7	450	2400	2900	2.45	10.98	12.87	80	95	98	4.06
	07	07	07	05	-	26	2.57	2.57	2.57	1.90	-	2.2	9.6	11.5	450	2360	2850	2.45	10.80	12.64	80	95	98	4.14
	10	07	07	05	-	29	3.37	2.27	2.27	1.68	-	2.2	9.6	11.5	450	2360	2850	2.45	10.80	12.64	80	95	98	4.14
	13	07	07	05	-	32	3.95	2.13	2.13	1.58	-	2.2	9.8	11.7	450	2380	2900	2.45	10.89	12.87	80	95	98	4.14
	16	07	07	05	-	35	4.18	2.05	2.05	1.52	-	2.2	9.8	11.7	450	2380	2900	2.45	10.89	12.87	80	95	98	4.14
	18	07	07	05	-	37	4.39	1.97	1.97	1.46	-	2.2	9.8	11.7	450	2380	2900	2.45	10.89	12.87	80	95	98	4.14
	22	07	07	05	-	41	4.86	1.88	1.88	1.39	-	2.2	10.0	11.7	450	2400	2900	2.45	10.98	12.87	80	95	98	4.05
	24	07	07	05	-	43	5.23	1.74	1.74	1.29	-	2.2	10.0	11.7	450	2400	2900	2.45	10.98	12.87	80	95	98	4.05
	10	10	07	05	-	32	3.09	3.09	2.08	1.54	-	2.2	9.8	11.6	450	2380	2880	2.45	10.89	12.78	80	95	98	4.14
	13	10	07	05	-	35	3.58	2.86	1.93	1.43	-	2.2	9.8	11.6	450	2380	2880	2.45	10.89	12.78	80	95	98	4.14
	16	10	07	05	-	38	3.80	2.76	1.86	1.38	-	2.2	9.8	11.6	450	2380	2880	2.45	10.89	12.78	80	95	98	4.14
	18	10	07	05	-	40	4.08	2.72	1.84	1.36	-	2.2	10.0	11.7	450	2400	2900	2.45	10.98	12.87	80	95	98	4.14
	22	10	07	05	-	44	4.46	2.55	1.72	1.27	-	2.2	10.0	11.7	450	2400	2900	2.45	10.98	12.87	80	95	98	4.05
	24	10	07	05	-	46	4.82	2.38	1.61	1.19	-	2.2	10.0	11.7	450	2400	2900	2.45	10.98	12.87	80	95	98	4.05
	13	13	07	05	-	38	3.33	3.33	1.80	1.33	-	2.2	9.8	11.6	450	2400	2880	2.45	10.98	12.78	80	95	98	4.14
16	13	07	05	-	41	3.62	3.29	1.78	1.32	-	2.2	10.0	11.7	450	2400	2900	2.45	10.98	12.87	80	95	98	4.14	
18	13	07	05	-	43	3.82	3.18	1.72	1.27	-	2.2	10.0	11.7	450	2400	2900	2.45	10.98	12.87	80	95	98	4.14	
22	13	07	05	-	47	4.19	2.99	1.62	1.20	-	2.2	10.0	11.7	450	2400	2900	2.45	10.98	12.87	80	95	98	4.05	
24	13	07	05	-	49	4.55	2.81	1.52	1.12	-	2.2	10.0	11.7	450	2400	2900	2.45	10.98	12.87	80	95	98	4.05	
16	16	07	05	-	44	3.50	3.50	1.72	1.27	-	2.2	10.0	11.7	450	2400	2900	2.45	10.98	12.87	80	95	98	4.14	
18	16	07	05	-	46	3.70	3.40	1.67	1.23	-	2.2	10.0	11.7	450	2400	2900	2.45	10.98	12.87	80	95	98	4.14	
22	16	07	05	-	50	4.07	3.20	1.57	1.16	-	2.2	10.0	11.7	450	2400	2900	2.45	10.98	12.87	80	95	98	4.05	
18	18	07	05	-	48	3.59	3.59	1.62	1.20	-	2.2	10.0	11.7	450	2400	2900	2.45	10.98	12.87	80	95	98	4.14	
22	18	07	05	-	52	3.95	3.39	1.53	1.13	-	2.2	10.0	11.7	450	2400	2900	2.45	10.98	12.87	80	95	98	4.05	
10	10	10	05	-	35	2.80	2.80	2.80	1.40	-	2.2	9.8	11.6	450	2380	2880	2.45	10.89	12.78	80	95	98	4.14	
13	10	10	05	-	38	3.27	2.61	2.61	1.31	-	2.2	9.8	11.6	450	2380	2880	2.45	10.89	12.78	80	95	98	4.14	
16	10	10	05	-	41	3.55	2.58	2.58	1.29	-	2.2	10.0	11.7	450	2400	2900	2.45	10.98	12.87	80	95	98	4.14	
18	10	10	05	-	43	3.75	2.50	2.50	1.25	-	2.2	10.0	11.7	450	2400									

Operation mode : Heating

Power supply voltage : 230V

Operating status	Indoor unit					Unit capacity (kW)					Heating capacity (kW)			Power consumption (W)			Operating current (A)			Power factor (%)			SCOP	
	A	B	C	D	E	ΣkBTU	A	B	C	D	E	Min	Rate	Max	Min	Rate	Max	Min	Rate	Max	Min	Rate		Max
4 units	24	13	07	07	-	51	4.38	2.70	1.46	1.46	-	2.2	10.0	11.7	490	2400	2900	2.66	10.98	12.87	80	95	98	4.05
	16	16	07	07	-	46	3.35	3.35	1.65	1.65	-	2.2	10.0	11.7	490	2400	2900	2.66	10.98	12.87	80	95	98	4.14
	18	16	07	07	-	48	3.55	3.25	1.60	1.60	-	2.2	10.0	11.7	490	2400	2900	2.66	10.98	12.87	80	95	98	4.14
	22	16	07	07	-	52	3.91	3.07	1.51	1.51	-	2.2	10.0	11.7	490	2400	2900	2.66	10.98	12.87	80	95	98	4.05
	24	16	07	07	-	54	4.26	2.89	1.42	1.42	-	2.2	10.0	11.7	490	2400	2900	2.66	10.98	12.87	80	95	98	4.05
	18	18	07	07	-	50	3.45	3.45	1.55	1.55	-	2.2	10.0	11.7	490	2400	2900	2.66	10.98	12.87	80	95	98	4.14
	22	18	07	07	-	54	3.80	3.26	1.47	1.47	-	2.2	10.0	11.7	490	2400	2900	2.66	10.98	12.87	80	95	98	4.05
	24	18	07	07	-	56	4.15	3.08	1.38	1.38	-	2.2	10.0	11.7	490	2400	2900	2.66	10.98	12.87	80	95	98	4.05
	10	10	10	07	-	37	2.61	2.61	2.61	1.76	-	2.2	9.6	11.6	470	2360	2880	2.55	10.80	12.78	80	95	98	4.14
	13	10	10	07	-	40	3.12	2.50	2.50	1.69	-	2.2	9.8	11.6	480	2380	2880	2.61	10.89	12.78	80	95	98	4.14
	16	10	10	07	-	43	3.36	2.44	2.44	1.65	-	2.2	9.9	11.7	480	2390	2900	2.61	10.94	12.87	80	95	98	4.14
	18	10	10	07	-	45	3.59	2.40	2.40	1.62	-	2.2	10.0	11.7	490	2400	2900	2.66	10.98	12.87	80	95	98	4.14
	22	10	10	07	-	49	3.95	2.26	2.26	1.53	-	2.2	10.0	11.7	490	2400	2900	2.66	10.98	12.87	80	95	98	4.05
	24	10	10	07	-	51	4.31	2.13	2.13	1.44	-	2.2	10.0	11.7	490	2400	2900	2.66	10.98	12.87	80	95	98	4.05
	13	13	10	07	-	43	2.99	2.99	2.40	1.62	-	2.2	10.0	11.7	490	2400	2900	2.66	10.98	12.87	80	95	98	4.14
	16	13	10	07	-	46	3.20	2.91	2.33	1.57	-	2.2	10.0	11.7	490	2400	2900	2.66	10.98	12.87	80	95	98	4.14
	18	13	10	07	-	48	3.39	2.82	2.26	1.53	-	2.2	10.0	11.7	490	2400	2900	2.66	10.98	12.87	80	95	98	4.14
	22	13	10	07	-	52	3.74	2.67	2.14	1.44	-	2.2	10.0	11.7	490	2400	2900	2.66	10.98	12.87	80	95	98	4.05
	24	13	10	07	-	54	4.09	2.53	2.02	1.36	-	2.2	10.0	11.7	490	2400	2900	2.66	10.98	12.87	80	95	98	4.05
	16	16	10	07	-	49	3.11	3.11	2.26	1.53	-	2.2	10.0	11.7	490	2400	2900	2.66	10.98	12.87	80	95	98	4.14
	18	16	10	07	-	51	3.30	3.02	2.20	1.48	-	2.2	10.0	11.7	490	2400	2900	2.66	10.98	12.87	80	95	98	4.14
	22	16	10	07	-	55	3.65	2.86	2.08	1.41	-	2.2	10.0	11.7	490	2400	2900	2.66	10.98	12.87	80	95	98	4.05
	24	16	10	07	-	57	3.99	2.71	1.97	1.33	-	2.2	10.0	11.7	490	2400	2900	2.66	10.98	12.87	80	95	98	4.05
	18	18	10	07	-	53	3.21	3.21	2.14	1.44	-	2.2	10.0	11.7	490	2400	2900	2.66	10.98	12.87	80	95	98	4.14
	22	18	10	07	-	57	3.55	3.05	2.03	1.37	-	2.2	10.0	11.7	490	2400	2900	2.66	10.98	12.87	80	95	98	4.05
	24	18	10	07	-	59	3.89	2.88	1.92	1.30	-	2.2	10.0	11.7	490	2400	2900	2.66	10.98	12.87	80	95	98	4.05
	13	13	13	07	-	46	2.82	2.82	2.82	1.53	-	2.2	10.0	11.7	490	2400	2900	2.66	10.98	12.87	80	95	98	4.14
	16	13	13	07	-	49	3.02	2.75	2.75	1.48	-	2.2	10.0	11.7	490	2400	2900	2.66	10.98	12.87	80	95	98	4.14
	18	13	13	07	-	51	3.21	2.67	2.67	1.44	-	2.2	10.0	11.7	490	2400	2900	2.66	10.98	12.87	80	95	98	4.14
	22	13	13	07	-	55	3.55	2.54	2.54	1.37	-	2.2	10.0	11.7	490	2400	2900	2.66	10.98	12.87	80	95	98	4.05
	24	13	13	07	-	57	3.89	2.40	2.40	1.30	-	2.2	10.0	11.7	490	2400	2900	2.66	10.98	12.87	80	95	98	4.05
	16	16	13	07	-	52	2.94	2.94	2.67	1.44	-	2.2	10.0	11.7	490	2400	2900	2.66	10.98	12.87	80	95	98	4.14
	18	16	13	07	-	54	3.13	2.86	2.60	1.41	-	2.2	10.0	11.7	490	2400	2900	2.66	10.98	12.87	80	95	98	4.14
	22	16	13	07	-	58	3.47	2.72	2.48	1.34	-	2.2	10.0	11.7	490	2400	2900	2.66	10.98	12.87	80	95	98	4.05
	24	16	13	07	-	60	3.80	2.58	2.35	1.27	-	2.2	10.0	11.7	490	2400	2900	2.66	10.98	12.87	80	95	98	4.05
	18	18	13	07	-	56	3.05	3.05	2.54	1.37	-	2.2	10.0	11.7	490	2400	2900	2.66	10.98	12.87	80	95	98	4.14
	22	18	13	07	-	60	3.38	2.90	2.42	1.30	-	2.2	10.0	11.7	490	2400	2900	2.66	10.98	12.87	80	95	98	4.05
	24	18	13	07	-	62	3.72	2.75	2.29	1.24	-	2.2	10.0	11.7	490	2400	2900	2.66	10.98	12.87	80	95	98	4.05
	10	10	10	10	-	40	2.43	2.43	2.43	2.43	-	2.2	9.7	11.6	470	2370	2780	2.55	10.85	12.33	80	95	98	4.14
	13	10	10	10	-	43	2.91	2.33	2.33	2.33	-	2.2	9.9	11.7	480	2390	2900	2.61	10.94	12.87	80	95	98	4.14
	16	10	10	10	-	46	3.14	2.29	2.29	2.29	-	2.2	10.0	11.7	490	2400	2900	2.66	10.98	12.87	80	95	98	4.14
	18	10	10	10	-	48	3.33	2.22	2.22	2.22	-	2.2	10.0	11.7	490	2400	2900	2.66	10.98	12.87	80	95	98	4.14
	22	10	10	10	-	52	3.68	2.11	2.11	2.11	-	2.2	10.0	11.7	490	2400	2900	2.66	10.98	12.87	80	95	98	4.05
	24	10	10	10	-	54	4.03	1.99	1.99	1.99	-	2.2	10.0	11.7	490	2400	2900	2.66	10.98	12.87	80	95	98	4.05
	13	13	10	10	-	46	2.78	2.78	2.22	2.22	-	2.2	10.0	11.7	490	2400	2900	2.66	10.98	12.87	80	95	98	4.14
	16	13	10	10	-	49	2.97	2.70	2.16	2.16	-	2.2	10.0	11.7	490	2400	2900	2.66	10.98	12.87	80	95	98	4.14
	18	13	10	10	-	51	3.16	2.63	2.11	2.11	-	2.2	10.0	11.7	490	2400	2900	2.66	10.98	12.87	80	95	98	4.14
	22	13	10	10	-	55	3.50	2.50	2.00	2.00	-	2.2	10.0	11.7	490	2400	2900	2.66	10.98	12.87	80	95	98	4.05
24	13	10	10	-	57	3.84	2.37	1.90	1.90	-	2.2	10.0	11.7	490	2400	2900	2.66	10.98	12.87	80	95	98	4.05	
16	16	10	10	-	52	2.89	2.89	2.11	2.11	-	2.2	10.0	11.7	490	2400	2900	2.66	10.98	12.87	80	95	98	4.14	
18	16	10	10	-	54	3.08	2.82	2.05	2.05	-	2.2	10.0	11.7	490	2400	2900	2.66	10.98	12.87	80	95	98	4.14	
22	16	10	10	-	58	3.41	2.68	1.95	1.95	-	2.2	10.0	11.7	490	2400	2900	2.66	10.98	12.87	80	95	98	4.05	
24	16	10	10	-	60	3.75	2.55	1.85	1.85	-	2.2	10.0	11.7	490	2400	2900	2.66	10.98	12.87	80	95	98	4.05	
18	18	10	10	-	56	3.00	3.00	2.00	2.00	-	2.2	10.0	11.7	490	2400	2900	2.66	10.98	12.87	80	95	98	4.14	
22	18	10	10	-	60	3.33	2.86	1.90	1.90	-	2.2	10.0	11.7	490	2400	2900	2.66	10.98	12.87	80	95	98	4.05	
24	18	10	10	-	62	3.67	2.71	1.81	1.81	-	2.2	10.0	11.7	490	2400	2900	2.66	10.98	12.87	80	95	98	4.05	
13	13	13	10	-	49	2.63	2.63	2.63	2.11	-	2.2	10.0	11.7	490	2400	2900	2.66	10.98	12.87	80	95	98	4.14	
16	13	13	10	-	52	2.82	2.56	2.56	2.05	-	2.2	10.0	11.7	490	2400	2900	2.66	10.98	12.87	80	95	98	4.14	
18	13	13	10	-	54	3.00	2.50	2.50	2.00	-	2.2	10.0	11.7	490	2400	2900	2.66	10.98	12.87	80	95	98	4.14	
22	13	13	10	-	58	3.33	2.38	2.38	1.90	-	2.2	10.0	11.7	490	2400	2900	2.66	10.98	12.87	80	95	98	4.05	
24	13	13	10	-	60	3.67	2.26	2.26	1.															

Operation mode : Heating

Power supply voltage : 230V

Operating status	Indoor unit					Unit capacity (kW)					Heating capacity (kW)			Power consumption (W)			Operating current (A)			Power factor (%)			SCOP Rate	
	A	B	C	D	E	A	B	C	D	E	Min	Rate	Max	Min	Rate	Max	Min	Rate	Max	Min	Rate	Max		
5 units	05	05	05	05	05	25	2.00	2.00	2.00	2.00	2.00	2.7	10.0	12.0	508	2350	3160	2.76	10.76	14.02	80	95	98	4.08
	07	05	05	05	05	27	2.70	2.00	2.00	2.00	2.00	2.7	10.7	12.5	508	2520	3350	2.76	11.53	14.86	80	95	98	4.08
	10	05	05	05	05	30	3.83	1.92	1.92	1.92	1.92	2.7	11.5	13.5	508	2740	4100	2.76	12.54	18.19	80	95	98	4.08
	13	05	05	05	05	33	4.42	1.77	1.77	1.77	1.77	2.7	11.5	13.5	508	2740	4100	2.76	12.54	18.19	80	95	98	4.08
	16	05	05	05	05	36	4.77	1.73	1.73	1.73	1.73	2.7	11.7	13.7	508	2762	4120	2.76	12.64	18.28	80	95	98	4.08
	18	05	05	05	05	38	5.01	1.67	1.67	1.67	1.67	2.7	11.7	13.7	508	2762	4120	2.76	12.64	18.28	80	95	98	4.07
	07	07	05	05	05	29	2.70	2.70	2.00	2.00	2.00	2.7	11.4	13.4	508	2690	4020	2.76	12.31	17.83	80	95	98	4.08
	10	07	05	05	05	32	3.62	2.44	1.81	1.81	1.81	2.7	11.5	13.5	508	2740	4100	2.76	12.54	18.19	80	95	98	4.08
	13	07	05	05	05	35	4.20	2.27	1.68	1.68	1.68	2.7	11.5	13.5	508	2740	4100	2.76	12.54	18.19	80	95	98	4.08
	16	07	05	05	05	38	4.53	2.22	1.65	1.65	1.65	2.7	11.7	13.7	508	2762	4120	2.76	12.64	18.28	80	95	98	4.08
	18	07	05	05	05	40	4.78	2.15	1.59	1.59	1.59	2.7	11.7	13.7	508	2762	4120	2.76	12.64	18.28	80	95	98	4.07
	10	10	05	05	05	35	3.34	3.34	1.67	1.67	1.67	2.7	11.7	13.7	508	2762	4120	2.76	12.64	18.28	80	95	98	4.08
	13	10	05	05	05	38	3.90	3.12	1.56	1.56	1.56	2.7	11.7	13.7	508	2762	4120	2.76	12.64	18.28	80	95	98	4.08
	16	10	05	05	05	41	4.15	3.02	1.51	1.51	1.51	2.7	11.7	13.7	508	2762	4120	2.76	12.64	18.28	80	95	98	4.08
	18	10	05	05	05	43	4.39	2.93	1.46	1.46	1.46	2.7	11.7	13.7	508	2762	4120	2.76	12.64	18.28	80	95	98	4.07
	13	13	05	05	05	41	3.66	3.66	1.46	1.46	1.46	2.7	11.7	13.7	508	2762	4120	2.76	12.64	18.28	80	95	98	4.08
	16	13	05	05	05	44	3.90	3.55	1.42	1.42	1.42	2.7	11.7	13.7	508	2762	4120	2.76	12.64	18.28	80	95	98	4.08
	18	13	05	05	05	46	4.13	3.44	1.38	1.38	1.38	2.7	11.7	13.7	508	2762	4120	2.76	12.64	18.28	80	95	98	4.07
	16	16	05	05	05	47	3.79	3.79	1.38	1.38	1.38	2.7	11.7	13.7	508	2762	4120	2.76	12.64	18.28	80	95	98	4.08
	18	16	05	05	05	49	4.01	3.68	1.34	1.34	1.34	2.7	11.7	13.7	508	2762	4120	2.76	12.64	18.28	80	95	98	4.07
	18	18	05	05	05	51	3.90	3.90	1.30	1.30	1.30	2.7	11.7	13.7	508	2762	4120	2.76	12.64	18.28	80	95	98	4.07
	07	07	07	05	05	31	2.57	2.57	2.57	1.90	1.90	2.7	11.5	13.2	508	2740	4120	2.76	12.54	18.28	80	95	98	4.08
	10	07	07	05	05	34	3.49	2.36	2.36	1.75	1.75	2.7	11.7	13.7	508	2762	4120	2.76	12.64	18.28	80	95	98	4.08
	13	07	07	05	05	37	4.06	2.19	2.19	1.63	1.63	2.7	11.7	13.7	508	2762	4120	2.76	12.64	18.28	80	95	98	4.08
	16	07	07	05	05	40	4.32	2.12	2.12	1.57	1.57	2.7	11.7	13.7	508	2762	4120	2.76	12.64	18.28	80	95	98	4.08
	18	07	07	05	05	42	4.56	2.05	2.05	1.52	1.52	2.7	11.7	13.7	508	2762	4120	2.76	12.64	18.28	80	95	98	4.07
	10	10	07	05	05	37	3.18	3.18	2.15	1.59	1.59	2.7	11.7	13.7	508	2762	4120	2.76	12.64	18.28	80	95	98	4.08
	13	10	07	05	05	40	3.73	2.98	2.01	1.49	1.49	2.7	11.7	13.7	508	2762	4120	2.76	12.64	18.28	80	95	98	4.08
	16	10	07	05	05	43	3.97	2.89	1.95	1.44	1.44	2.7	11.7	13.7	508	2762	4120	2.76	12.64	18.28	80	95	98	4.08
	18	10	07	05	05	45	4.20	2.80	1.89	1.40	1.40	2.7	11.7	13.7	508	2762	4120	2.76	12.64	18.28	80	95	98	4.07
	13	13	07	05	05	43	3.50	3.50	1.89	1.40	1.40	2.7	11.7	13.7	508	2762	4120	2.76	12.64	18.28	80	95	98	4.08
	16	13	07	05	05	46	3.74	3.40	1.84	1.36	1.36	2.7	11.7	13.7	508	2762	4120	2.76	12.64	18.28	80	95	98	4.08
	18	13	07	05	05	48	3.97	3.31	1.78	1.32	1.32	2.7	11.7	13.7	508	2762	4120	2.76	12.64	18.28	80	95	98	4.07
	16	16	07	05	05	49	3.64	3.64	1.78	1.32	1.32	2.7	11.7	13.7	508	2762	4120	2.76	12.64	18.28	80	95	98	4.08
	18	16	07	05	05	51	3.86	3.54	1.74	1.29	1.29	2.7	11.7	13.7	508	2762	4120	2.76	12.64	18.28	80	95	98	4.07
	10	10	10	05	05	40	2.93	2.93	2.93	1.46	1.46	2.7	11.7	13.7	508	2762	4120	2.76	12.64	18.28	80	95	98	4.08
	13	10	10	05	05	43	3.44	2.75	2.75	1.38	1.38	2.7	11.7	13.7	508	2762	4120	2.76	12.64	18.28	80	95	98	4.08
	16	10	10	05	05	46	3.68	2.67	2.67	1.34	1.34	2.7	11.7	13.7	508	2762	4120	2.76	12.64	18.28	80	95	98	4.08
	18	10	10	05	05	48	3.90	2.60	2.60	1.30	1.30	2.7	11.7	13.7	508	2762	4120	2.76	12.64	18.28	80	95	98	4.07
	13	13	10	05	05	46	3.25	3.25	2.60	1.30	1.30	2.7	11.7	13.7	508	2762	4120	2.76	12.64	18.28	80	95	98	4.08
07	07	07	07	05	33	2.43	2.43	2.43	2.43	1.80	2.7	11.5	13.2	508	2762	4120	2.76	12.64	18.28	80	95	98	4.08	
10	07	07	07	05	36	3.32	2.24	2.24	2.24	1.66	2.7	11.7	13.7	508	2762	4120	2.76	12.64	18.28	80	95	98	4.08	
13	07	07	07	05	39	3.87	2.09	2.09	2.09	1.55	2.7	11.7	13.7	508	2762	4120	2.76	12.64	18.28	80	95	98	4.08	
16	07	07	07	05	42	4.13	2.03	2.03	2.03	1.50	2.7	11.7	13.7	508	2762	4120	2.76	12.64	18.28	80	95	98	4.08	
18	07	07	07	05	44	4.36	1.96	1.96	1.96	1.45	2.7	11.7	13.7	508	2762	4120	2.76	12.64	18.28	80	95	98	4.07	
10	10	07	07	05	39	3.04	3.04	2.05	2.05	1.52	2.7	11.7	13.7	508	2762	4120	2.76	12.64	18.28	80	95	98	4.08	
13	10	07	07	05	42	3.57	2.85	1.93	1.43	1.43	2.7	11.7	13.7	508	2762	4120	2.76	12.64	18.28	80	95	98	4.08	
16	10	07	07	05	45	3.81	2.77	1.87	1.87	1.38	2.7	11.7	13.7	508	2762	4120	2.76	12.64	18.28	80	95	98	4.08	
18	10	07	07	05	47	4.03	2.69	1.82	1.82	1.34	2.7	11.7	13.7	508	2762	4120	2.76	12.64	18.28	80	95	98	4.07	
13	13	07	07	05	45	3.36	3.36	1.82	1.82	1.34	2.7	11.7	13.7	508	2762	4120	2.76	12.64	18.28	80	95	98	4.08	
16	13	07	07	05	48	3.59	3.27	1.76	1.76	1.31	2.7	11.7	13.7	508	2762	4120	2.76	12.64	18.28	80	95	98	4.08	
10	10	10	07	05	42	2.80	2.80	2.80	1.89	1.40	2.7	11.7	13.7	508	2762	4120	2.76	12.64	18.28	80	95	98	4.08	
13	10	10	07	05	45	3.31	2.64	2.64	1.78	1.32	2.7	11.7	13.7	508	2762	4120	2.76	12.64	18.28	80	95	98	4.08	
16	10	10	07	05	48	3.54	2.57	2.57	1.74	1.29	2.7	11.7	13.7	508	2762	4120	2.76	12.64	18.28	80	95	98	4.08	
10	10	10	10	05	45	2.60	2.60	2.60	2.60	1.30	2.7	11.7	13.7	508	2762	4120	2.76	12.64	18.28	80	95	98	4.08	
07	07	07	07	07	35	2.28	2.28	2.28	2.28	2.28	2.7	11.4	13.4	508	2690	4020	2.76	12.31	17.83	80	95	98	4.08	
10	07	07	07	07	38	3.16	2.13	2.13	2.13	2.13	2.7	11.7	13.7	508	2762	4120	2.76	12.						

Operation mode : Heating

Power supply voltage : 230V

Operating status	Indoor unit					Unit capacity (kW)					Heating capacity (kW)			Power consumption (W)			Operating current (A)			Power factor (%)			SCOP Rate	
	A	B	C	D	E	ΣkBTU	A	B	C	D	E	Min	Rate	Max	Min	Rate	Max	Min	Rate	Max	Min	Rate		Max
5 units	13	13	13	10	07	56	2.70	2.70	2.70	2.16	1.46	2.7	11.7	13.7	508	2762	4120	2.76	12.64	18.28	80	95	98	4.08
	16	13	13	10	07	59	2.90	2.64	2.64	2.11	1.42	2.7	11.7	13.7	508	2762	4120	2.76	12.64	18.28	80	95	98	4.08
	18	13	13	10	07	61	3.09	2.58	2.58	2.06	1.39	2.7	11.7	13.7	508	2762	4120	2.76	12.64	18.28	80	95	98	4.07
	16	16	13	10	07	62	2.83	2.83	2.58	2.06	1.39	2.7	11.7	13.7	508	2762	4120	2.76	12.64	18.28	80	95	98	4.08
	13	13	13	13	07	59	2.58	2.58	2.58	2.58	1.39	2.7	11.7	13.7	508	2762	4120	2.76	12.64	18.28	80	95	98	4.08
	16	13	13	13	07	62	2.77	2.52	2.52	2.52	1.36	2.7	11.7	13.7	508	2762	4120	2.76	12.64	18.28	80	95	98	4.08
	18	13	13	13	07	64	2.96	2.47	2.47	2.47	1.33	2.7	11.7	13.7	508	2762	4120	2.76	12.64	18.28	80	95	98	4.07
	16	16	13	13	07	65	2.72	2.72	2.47	2.47	1.33	2.7	11.7	13.7	508	2762	4120	2.76	12.64	18.28	80	95	98	4.08
	10	10	10	10	10	50	2.34	2.34	2.34	2.34	2.34	2.7	11.7	13.7	508	2762	4120	2.76	12.64	18.28	80	95	98	4.08
	13	10	10	10	10	53	2.79	2.23	2.23	2.23	2.23	2.7	11.7	13.7	508	2762	4120	2.76	12.64	18.28	80	95	98	4.08
	16	10	10	10	10	56	2.99	2.18	2.18	2.18	2.18	2.7	11.7	13.7	508	2762	4120	2.76	12.64	18.28	80	95	98	4.08
	18	10	10	10	10	58	3.19	2.13	2.13	2.13	2.13	2.7	11.7	13.7	508	2762	4120	2.76	12.64	18.28	80	95	98	4.07
	13	13	10	10	10	56	2.66	2.66	2.13	2.13	2.13	2.7	11.7	13.7	508	2762	4120	2.76	12.64	18.28	80	95	98	4.08
	16	13	10	10	10	59	2.86	2.60	2.08	2.08	2.08	2.7	11.7	13.7	508	2762	4120	2.76	12.64	18.28	80	95	98	4.08
	18	13	10	10	10	61	3.05	2.54	2.03	2.03	2.03	2.7	11.7	13.7	508	2762	4120	2.76	12.64	18.28	80	95	98	4.07
	16	16	10	10	10	62	2.80	2.80	2.03	2.03	2.03	2.7	11.7	13.7	508	2762	4120	2.76	12.64	18.28	80	95	98	4.08
	13	13	13	10	10	59	2.54	2.54	2.54	2.03	2.03	2.7	11.7	13.7	508	2762	4120	2.76	12.64	18.28	80	95	98	4.08
	16	13	13	10	10	62	2.74	2.49	2.49	1.99	1.99	2.7	11.7	13.7	508	2762	4120	2.76	12.64	18.28	80	95	98	4.08
	18	13	13	10	10	64	2.93	2.44	2.44	1.95	1.95	2.7	11.7	13.7	508	2762	4120	2.76	12.64	18.28	80	95	98	4.07
	16	16	13	10	10	65	2.75	2.75	2.50	2.00	2.00	2.7	12.0	14.0	508	2833	4200	2.76	12.97	18.63	80	95	98	4.08
	13	13	13	13	10	62	2.44	2.44	2.44	2.44	1.95	2.7	11.7	13.7	508	2762	4120	2.76	12.64	18.28	80	95	98	4.08
	16	13	13	13	10	65	2.69	2.45	2.45	2.45	1.96	2.7	12.0	14.0	508	2833	4200	2.76	12.97	18.63	80	95	98	4.08
	18	13	13	13	10	67	2.88	2.40	2.40	2.40	1.92	2.7	12.0	14.0	508	2833	4200	2.76	12.97	18.63	80	95	98	4.07
	16	16	13	13	10	68	2.64	2.64	2.40	2.40	1.92	2.7	12.0	14.0	508	2833	4200	2.76	12.97	18.63	80	95	98	4.08
	13	13	13	13	13	65	2.40	2.40	2.40	2.40	2.40	2.7	12.0	14.0	508	2833	4200	2.76	12.97	18.63	80	95	98	4.08
	16	13	13	13	13	68	2.59	2.35	2.35	2.35	2.35	2.7	12.0	14.0	508	2833	4200	2.76	12.97	18.63	80	95	98	4.08
	22	05*	05*	05*	05*	42	5.46	1.56	1.56	1.56	1.56	2.7	11.7	13.7	508	2762	4120	2.76	12.64	18.28	80	95	98	3.95
	24	05*	05*	05*	05*	44	5.89	1.45	1.45	1.45	1.45	2.7	11.7	13.7	508	2762	4120	2.76	12.64	18.28	80	95	98	3.95
	22	07*	05*	05*	05*	44	5.22	2.01	1.49	1.49	1.49	2.7	11.7	13.7	508	2762	4120	2.76	12.64	18.28	80	95	98	3.95
	24	07*	05*	05*	05*	46	5.64	1.88	1.39	1.39	1.39	2.7	11.7	13.7	508	2762	4120	2.76	12.64	18.28	80	95	98	3.95
	22	10*	05*	05*	05*	47	4.82	2.75	1.38	1.38	1.38	2.7	11.7	13.7	508	2762	4120	2.76	12.64	18.28	80	95	98	3.95
	24	10*	05*	05*	05*	49	5.24	2.59	1.29	1.29	1.29	2.7	11.7	13.7	508	2762	4120	2.76	12.64	18.28	80	95	98	3.95
	22	13*	05*	05*	05*	50	4.55	3.25	1.30	1.30	1.30	2.7	11.7	13.7	508	2762	4120	2.76	12.64	18.28	80	95	98	3.95
	24	13*	05*	05*	05*	52	4.96	3.06	1.23	1.23	1.23	2.7	11.7	13.7	508	2762	4120	2.76	12.64	18.28	80	95	98	3.95
	22	07*	07*	05*	05*	46	4.99	1.93	1.93	1.43	1.43	2.7	11.7	13.7	508	2762	4120	2.76	12.64	18.28	80	95	98	3.95
	24	07*	07*	05*	05*	48	5.42	1.81	1.81	1.34	1.34	2.7	11.7	13.7	508	2762	4120	2.76	12.64	18.28	80	95	98	3.95
	22	10*	07*	05*	05*	49	4.63	2.64	1.78	1.32	1.32	2.7	11.7	13.7	508	2762	4120	2.76	12.64	18.28	80	95	98	3.95
	24	10*	07*	05*	05*	51	5.04	2.49	1.68	1.24	1.24	2.7	11.7	13.7	508	2762	4120	2.76	12.64	18.28	80	95	98	3.95
	22	13*	07*	05*	05*	52	4.38	3.13	1.69	1.25	1.25	2.7	11.7	13.7	508	2762	4120	2.76	12.64	18.28	80	95	98	3.95
	24	13*	07*	05*	05*	54	4.79	2.95	1.60	1.18	1.18	2.7	11.7	13.7	508	2762	4120	2.76	12.64	18.28	80	95	98	3.95
22	10*	10*	05*	05*	52	4.31	2.46	2.46	1.23	1.23	2.7	11.7	13.7	508	2762	4120	2.76	12.64	18.28	80	95	98	3.95	
24	10*	10*	05*	05*	54	4.71	2.33	2.33	1.16	1.16	2.7	11.7	13.7	508	2762	4120	2.76	12.64	18.28	80	95	98	3.95	
22	13*	10*	05*	05*	55	4.10	2.93	2.34	1.17	1.17	2.7	11.7	13.7	508	2762	4120	2.76	12.64	18.28	80	95	98	3.95	
24	13*	10*	05*	05*	57	4.49	2.77	2.22	1.11	1.11	2.7	11.7	13.7	508	2762	4120	2.76	12.64	18.28	80	95	98	3.95	
22	13*	13*	05*	05*	58	3.90	2.79	2.79	1.11	1.11	2.7	11.7	13.7	508	2762	4120	2.76	12.64	18.28	80	95	98	3.95	
24	13*	13*	05*	05*	60	4.29	2.65	2.65	1.06	1.06	2.7	11.7	13.7	508	2762	4120	2.76	12.64	18.28	80	95	98	3.95	
22	07*	07*	07*	05*	48	4.79	1.85	1.85	1.85	1.37	2.7	11.7	13.7	508	2762	4120	2.76	12.64	18.28	80	95	98	3.95	
24	07*	07*	07*	05*	50	5.21	1.74	1.74	1.74	1.29	2.7	11.7	13.7	508	2762	4120	2.76	12.64	18.28	80	95	98	3.95	
22	10*	07*	07*	05*	51	4.45	2.54	1.72	1.72	1.27	2.7	11.7	13.7	508	2762	4120	2.76	12.64	18.28	80	95	98	3.95	
24	10*	07*	07*	05*	53	4.86	2.40	1.62	1.62	1.20	2.7	11.7	13.7	508	2762	4120	2.76	12.64	18.28	80	95	98	3.95	
22	13*	07*	07*	05*	54	4.22	3.02	1.63	1.63	1.21	2.7	11.7	13.7	508	2762	4120	2.76	12.64	18.28	80	95	98	3.95	
24	13*	07*	07*	05*	56	4.62	2.85	1.54	1.54	1.14	2.7	11.7	13.7	508	2762	4120	2.76	12.64	18.28	80	95	98	3.95	
22	10*	10*	07*	05*	54	4.16	2.38	2.38	1.60	1.19	2.7	11.7	13.7	508	2762	4120	2.76	12.64	18.28	80	95	98	3.95	
24	10*	10*	07*	05*	56	4.56	2.25	2.25	1.52	1.13	2.7	11.7	13.7	508	2762	4120	2.76	12.64	18.28	80	95	98	3.95	
22	13*	10*	07*	05*	57	3.96	2.83	2.26	1.53	1.13	2.7	11.7	13.7	508	2762	4120	2.76	12.64	18.28	80	95	98	3.95	
24	13*	10*	07*	05*	59	4.35	2.68	2.15	1.45	1.07	2.7	11.7	13.7	508	2762	4120	2.76	12.64	18.28	80	95	98	3.95	
22	13*	13*	07*	05*	60	3.77	2.70	2.70	1.46	1.08	2.7	11.7	13.7	508	2762	4120	2.76	12.64	18.28	80	95	98	3.95	
24	13*	13*	07*	05*	62	4.16	2.57	2.57	1.39	1.03	2.7	11.7	13.7	508	2762	4120	2.76	12.64	18.28	80	95	98	3.95	
22	10*	10*	10*	05*	57	3.90	2.23	2.23	2.23	1.11	2.7	11.7	13.7	508	2762	412								

Operation mode : Heating

Power supply voltage : 240V

Operating status	Indoor unit					Unit capacity (kW)					Heating capacity (kW)			Power consumption (W)			Operating current (A)			Power factor (%)			SCOP	
	A	B	C	D	E	ΣkBTU	A	B	C	D	E	Min	Rate	Max	Min	Rate	Max	Min	Rate	Max	Min	Rate		Max
1 unit	05	-	-	-	-	5	2.00	-	-	-	-	0.8	2.0	2.7	300	600	900	1.71	2.87	3.83	73	87	98	-
	07	-	-	-	-	7	2.70	-	-	-	-	0.8	2.7	4.8	300	900	1980	1.71	4.31	8.42	73	87	98	-
	10	-	-	-	-	10	4.00	-	-	-	-	0.8	4.0	5.2	300	1450	1980	1.71	6.36	8.42	73	95	98	-
	13	-	-	-	-	13	5.00	-	-	-	-	0.8	5.0	6.5	310	2050	2750	1.77	8.99	11.69	73	95	98	-
	16	-	-	-	-	16	5.50	-	-	-	-	0.8	5.5	6.9	310	2400	3000	1.77	10.53	12.76	73	95	98	-
	18	-	-	-	-	18	6.00	-	-	-	-	0.8	6.0	7.1	310	2630	3200	1.77	11.54	13.61	73	95	98	-
	22	-	-	-	-	22	7.00	-	-	-	-	1.8	7.0	8.2	330	2700	3600	1.88	11.72	15.31	73	96	98	-
	24	-	-	-	-	24	8.10	-	-	-	-	1.8	8.1	8.6	330	3300	3700	1.88	14.32	15.73	73	96	98	-
2 units	05	05	-	-	-	10	2.00	2.00	-	-	-	1.5	4.0	6.0	320	1130	1260	1.78	4.96	5.36	75	95	98	3.90
	07	05	-	-	-	12	2.70	2.00	-	-	-	1.5	4.7	6.7	320	1340	1500	1.78	5.88	6.38	75	95	98	3.94
	10	05	-	-	-	15	4.00	2.00	-	-	-	1.5	6.0	8.0	320	1750	1900	1.78	7.68	8.08	75	95	98	4.04
	13	05	-	-	-	18	5.00	2.00	-	-	-	1.5	7.0	10.0	320	2060	2440	1.78	9.04	10.37	75	95	98	4.04
	16	05	-	-	-	21	5.50	2.00	-	-	-	1.5	7.5	10.1	320	2250	2470	1.78	9.87	10.50	75	95	98	4.04
	18	05	-	-	-	23	6.00	2.00	-	-	-	1.5	8.0	10.1	320	2340	3200	1.78	10.26	13.61	75	95	98	4.04
	22	05	-	-	-	27	6.46	1.84	-	-	-	1.5	8.3	10.2	320	2400	3200	1.78	10.53	13.61	75	95	98	4.05
	24	05	-	-	-	29	6.66	1.64	-	-	-	1.5	8.3	10.4	320	2470	3240	1.78	10.83	13.73	75	95	98	4.04
	07	07	-	-	-	14	2.70	2.70	-	-	-	1.5	5.4	7.4	320	1500	2200	1.78	6.58	9.35	75	95	98	4.04
	10	07	-	-	-	17	4.00	2.70	-	-	-	1.5	6.7	8.9	320	1900	2600	1.78	8.33	11.05	75	95	98	4.04
	13	07	-	-	-	20	4.81	2.59	-	-	-	1.5	7.4	10.1	320	2220	2900	1.78	9.74	12.33	75	95	98	4.04
	16	07	-	-	-	23	5.10	2.50	-	-	-	1.5	7.6	10.1	320	2480	3230	1.78	10.88	13.73	75	95	98	4.04
	18	07	-	-	-	25	5.45	2.45	-	-	-	1.5	7.9	10.1	320	2480	3230	1.78	10.88	13.73	75	95	98	4.04
	22	07	-	-	-	29	5.70	2.20	-	-	-	1.5	7.9	10.1	320	2480	3230	1.78	10.88	13.73	75	95	98	4.05
	24	07	-	-	-	31	6.23	2.08	-	-	-	1.5	8.3	10.2	320	2700	3240	1.78	11.84	13.78	75	95	98	4.04
	10	10	-	-	-	20	3.60	3.60	-	-	-	1.5	7.2	10.0	320	2100	2950	1.78	9.21	12.54	75	95	98	4.04
	13	10	-	-	-	23	4.22	3.38	-	-	-	1.5	7.6	10.1	320	2320	3210	1.78	10.18	13.65	75	95	98	4.04
	16	10	-	-	-	26	4.57	3.33	-	-	-	1.5	7.9	10.1	320	2480	3230	1.78	10.88	13.73	75	95	98	4.04
	18	10	-	-	-	28	4.74	3.16	-	-	-	1.5	7.9	10.1	320	2480	3230	1.78	10.88	13.73	75	95	98	4.04
	22	10	-	-	-	32	5.28	3.02	-	-	-	1.5	8.3	10.2	320	2700	3240	1.78	11.84	13.78	75	95	98	4.05
	24	10	-	-	-	34	5.76	2.84	-	-	-	1.5	8.6	10.2	320	2860	3250	1.78	12.54	13.82	75	95	98	4.04
	13	13	-	-	-	26	3.95	3.95	-	-	-	1.5	7.9	10.1	320	2480	3230	1.78	10.88	13.73	75	95	98	4.04
	16	13	-	-	-	29	4.35	3.95	-	-	-	1.5	8.3	10.2	320	2700	3240	1.78	11.84	13.78	75	95	98	4.04
	18	13	-	-	-	31	4.53	3.77	-	-	-	1.5	8.3	10.2	320	2700	3240	1.78	11.84	13.78	75	95	98	4.04
	22	13	-	-	-	35	5.02	3.58	-	-	-	1.5	8.6	10.2	320	2860	3250	1.78	12.54	13.82	75	95	98	4.05
	24	13	-	-	-	37	5.32	3.28	-	-	-	1.5	8.6	10.2	320	2860	3250	1.78	12.54	13.82	75	95	98	4.04
	16	16	-	-	-	32	4.30	4.30	-	-	-	1.5	8.6	10.2	320	2860	3250	1.78	12.54	13.82	75	95	98	4.04
	18	16	-	-	-	34	4.49	4.11	-	-	-	1.5	8.6	10.2	320	2860	3250	1.78	12.54	13.82	75	95	98	4.04
	22	16	-	-	-	38	4.82	3.78	-	-	-	1.5	8.6	10.2	320	2860	3250	1.78	12.54	13.82	75	95	98	4.05
	24	16	-	-	-	40	5.12	3.48	-	-	-	1.5	8.6	10.2	320	2860	3250	1.78	12.54	13.82	75	95	98	4.04
	18	18	-	-	-	36	4.30	4.30	-	-	-	1.5	8.6	10.2	320	2860	3250	1.78	12.54	13.82	75	95	98	4.04
	22	18	-	-	-	40	4.63	3.97	-	-	-	1.5	8.6	10.2	320	2860	3250	1.78	12.54	13.82	75	95	98	4.04
24	18	-	-	-	42	4.94	3.66	-	-	-	1.5	8.6	10.2	320	2860	3250	1.78	12.54	13.82	75	95	98	4.04	
22	22	-	-	-	44	4.50	4.50	-	-	-	1.5	9.0	10.6	320	2200	2590	1.78	9.55	11.01	75	96	98	4.25	
24	22	-	-	-	46	4.83	4.17	-	-	-	1.5	9.0	10.6	320	2200	2590	1.78	9.55	11.01	75	96	98	4.25	
24	24	-	-	-	48	4.55	4.55	-	-	-	1.5	9.1	10.7	320	2220	2610	1.78	9.64	11.10	75	96	98	4.25	

Specification values are those under the condition as follows ;

Heating : Capacity test condition, inside : 20 °C (Db), outside : 7 °C (Db) / 6°C (Wb)

Piping length : 5 m. per indoor unit.

Operation mode : Heating

Power supply voltage : 240V

Operating status	Indoor unit						Unit capacity (kW)					Heating capacity (kW)			Power consumption (W)			Operating current (A)			Power factor (%)			SCOP			
	A	B	C	D	E	ΣkBTU	A	B	C	D	E	Min	Rate	Max	Min	Rate	Max	Min	Rate	Max	Min	Rate	Max	Min	Rate	Max	Rate
3 units	05	05	05	-	-	15	2.00	2.00	2.00	-	-	2.0	6.0	8.0	380	1700	2000	1.98	7.46	8.50	80	95	98	4.12			
	07	05	05	-	-	17	2.70	2.00	2.00	-	-	2.0	6.7	8.9	380	1850	2080	1.98	8.11	8.84	80	95	98	4.16			
	10	05	05	-	-	20	4.00	2.00	2.00	-	-	2.0	8.0	10.1	380	2290	2750	1.98	10.04	11.69	80	95	98	4.17			
	13	05	05	-	-	23	4.94	1.98	1.98	-	-	2.0	8.9	10.7	380	2350	2760	1.98	10.31	11.73	80	95	98	4.17			
	16	05	05	-	-	26	5.15	1.87	1.87	-	-	2.0	8.9	10.7	380	2350	2760	1.98	10.31	11.73	80	95	98	4.17			
	18	05	05	-	-	28	5.34	1.78	1.78	-	-	2.0	8.9	10.7	380	2350	2760	1.98	10.31	11.73	80	95	98	4.17			
	22	05	05	-	-	32	5.66	1.62	1.62	-	-	2.0	8.9	10.7	380	2350	2760	1.98	10.31	11.73	80	95	98	4.06			
	24	05	05	-	-	34	5.96	1.47	1.47	-	-	2.0	8.9	10.7	380	2350	2760	1.98	10.31	11.73	80	95	98	4.06			
	07	07	05	-	-	19	2.70	2.70	2.00	-	-	2.0	7.4	10.1	380	2000	2700	1.98	8.77	11.48	80	95	98	4.17			
	10	07	05	-	-	22	4.00	2.70	2.00	-	-	2.0	8.7	10.5	380	2200	2700	1.98	9.65	11.48	80	95	98	4.17			
	13	07	05	-	-	25	4.59	2.48	1.84	-	-	2.0	8.9	10.7	380	2350	2760	1.98	10.31	11.73	80	95	98	4.17			
	16	07	05	-	-	28	4.80	2.36	1.75	-	-	2.0	8.9	10.7	380	2350	2760	1.98	10.31	11.73	80	95	98	4.17			
	18	07	05	-	-	30	4.99	2.25	1.66	-	-	2.0	8.9	10.7	380	2350	2760	1.98	10.31	11.73	80	95	98	4.17			
	22	07	05	-	-	34	5.32	2.05	1.52	-	-	2.0	8.9	10.7	380	2350	2760	1.98	10.31	11.73	80	95	98	4.06			
	24	07	05	-	-	36	5.63	1.88	1.39	-	-	2.0	8.9	10.7	380	2350	2760	1.98	10.31	11.73	80	95	98	4.06			
	10	10	05	-	-	25	3.56	3.56	1.78	-	-	2.0	8.9	10.7	380	2350	2760	1.98	10.31	11.73	80	95	98	4.17			
	13	10	05	-	-	28	4.05	3.24	1.62	-	-	2.0	8.9	10.7	380	2350	2760	1.98	10.31	11.73	80	95	98	4.17			
	16	10	05	-	-	31	4.26	3.10	1.55	-	-	2.0	8.9	10.7	380	2350	2760	1.98	10.31	11.73	80	95	98	4.17			
	18	10	05	-	-	33	4.45	2.97	1.48	-	-	2.0	8.9	10.7	380	2350	2760	1.98	10.31	11.73	80	95	98	4.17			
	22	10	05	-	-	37	4.79	2.74	1.37	-	-	2.0	8.9	10.7	380	2350	2760	1.98	10.31	11.73	80	95	98	4.06			
	24	10	05	-	-	39	5.11	2.52	1.26	-	-	2.0	8.9	10.7	380	2350	2760	1.98	10.31	11.73	80	95	98	4.06			
	13	13	05	-	-	31	3.71	3.71	1.48	-	-	2.0	8.9	10.7	380	2350	2760	1.98	10.31	11.73	80	95	98	4.17			
	16	13	05	-	-	34	3.92	3.56	1.42	-	-	2.0	8.9	10.7	380	2350	2760	1.98	10.31	11.73	80	95	98	4.17			
	18	13	05	-	-	36	4.11	3.42	1.37	-	-	2.0	8.9	10.7	380	2350	2760	1.98	10.31	11.73	80	95	98	4.17			
	22	13	05	-	-	40	4.45	3.18	1.27	-	-	2.0	8.9	10.7	380	2350	2760	1.98	10.31	11.73	80	95	98	4.06			
	24	13	05	-	-	42	4.77	2.95	1.18	-	-	2.0	8.9	10.7	380	2350	2760	1.98	10.31	11.73	80	95	98	4.06			
	16	16	05	-	-	37	3.77	3.77	1.37	-	-	2.0	8.9	10.7	380	2350	2760	1.98	10.31	11.73	80	95	98	4.17			
	18	16	05	-	-	39	3.96	3.63	1.32	-	-	2.0	8.9	10.7	380	2350	2760	1.98	10.31	11.73	80	95	98	4.17			
	22	16	05	-	-	43	4.30	3.38	1.23	-	-	2.0	8.9	10.7	380	2350	2760	1.98	10.31	11.73	80	95	98	4.06			
	24	16	05	-	-	45	4.88	3.31	1.21	-	-	2.0	9.4	11.2	380	2370	2880	1.98	10.39	12.24	80	95	98	4.06			
	18	18	05	-	-	41	3.81	3.81	1.27	-	-	2.0	8.9	10.7	380	2350	2760	1.98	10.31	11.73	80	95	98	4.16			
	22	18	05	-	-	45	4.39	3.76	1.25	-	-	2.0	9.4	11.2	380	2290	2630	1.98	10.04	11.18	80	95	98	4.06			
	24	18	05	-	-	47	4.73	3.50	1.17	-	-	2.0	9.4	11.2	380	2290	2630	1.98	10.04	11.18	80	95	98	4.06			
	22	22	05	-	-	49	4.11	4.11	1.18	-	-	2.0	9.4	11.2	380	2290	2630	1.98	10.04	11.18	80	95	98	4.07			
	24	22	05	-	-	51	4.45	3.85	1.10	-	-	2.0	9.4	11.2	380	2290	2630	1.98	10.04	11.18	80	95	98	4.07			
	24	24	05	-	-	53	4.18	4.18	1.03	-	-	2.0	9.4	11.2	380	2290	2630	1.98	10.04	11.18	80	95	98	4.07			
	07	07	07	-	-	21	2.70	2.70	2.70	-	-	2.0	8.1	10.4	380	2290	2750	1.98	10.04	11.69	80	95	98	4.17			
	10	07	07	-	-	24	3.53	2.38	2.38	-	-	2.0	8.3	10.4	380	2300	2750	1.98	10.09	11.69	80	95	98	4.17			
	13	07	07	-	-	27	4.13	2.23	2.23	-	-	2.0	8.6	10.4	380	2300	2750	1.98	10.09	11.69	80	95	98	4.17			
	16	07	07	-	-	30	4.39	2.16	2.16	-	-	2.0	8.7	10.5	380	2350	2760	1.98	10.31	11.73	80	95	98	4.17			
	18	07	07	-	-	32	4.58	2.06	2.06	-	-	2.0	8.7	10.5	380	2350	2760	1.98	10.31	11.73	80	95	98	4.17			
	22	07	07	-	-	36	4.91	1.89	1.89	-	-	2.0	8.7	10.5	380	2350	2760	1.98	10.31	11.73	80	95	98	4.06			
	24	07	07	-	-	38	5.22	1.74	1.74	-	-	2.0	8.7	10.5	380	2350	2760	1.98	10.31	11.73	80	95	98	4.06			
	10	10	07	-	-	27	3.18	3.18	2.14	-	-	2.0	8.5	10.4	380	2300	2750	1.98	10.09	11.69	80	95	98	4.17			
	13	10	07	-	-	30	3.72	2.97	2.01	-	-	2.0	8.7	10.5	380	2350	2760	1.98	10.31	11.73	80	95	98	4.17			
	16	10	07	-	-	33	3.92	2.85	1.93	-	-	2.0	8.7	10.5	380	2350	2760	1.98	10.31	11.73	80	95	98	4.17			
	18	10	07	-	-	35	4.11	2.74	1.85	-	-	2.0	8.7	10.5	380	2350	2760	1.98	10.31	11.73	80	95	98	4.17			
	22	10	07	-	-	39	4.50	2.57	1.73	-	-	2.0	8.8	10.6	380	2400	2780	1.98	10.53	11.82	80	95	98	4.06			
24	10	07	-	-	41	4.82	2.38	1.61	-	-	2.0	8.8	10.6	380	2400	2780	1.98	10.53	11.82	80	95	98	4.06				
13	13	07	-	-	33	3.43	3.43	1.85	-	-	2.0	8.7	10.5	380	2350	2760	1.98	10.31	11.73	80	95	98	4.17				
16	13	07	-	-	36	3.67	3.33	1.80	-	-	2.0	8.8	10.6	380	2400	2780	1.98	10.53	11.82	80	95	98	4.17				
18	13	07	-	-	38	3.85	3.21	1.73	-	-	2.0	8.8	10.6	380	2400	2780	1.98	10.53	11.82	80	95	98	4.17				
22	13	07	-	-	42	4.24	3.03	1.63	-	-	2.0	8.9	10.7	380	2450	2790	1.98	10.75	11.86	80	95	98	4.06				
24	13	07	-	-	44	4.56	2.82	1.52	-	-	2.0	8.9	10.7	380	2450	2790	1.98	10.75	11.86	80	95	98	4.06				
16	16	07	-	-	39	3.57	3.57	1.75	-	-	2.0	8.9	10.7	380	2450	2790	1.98	10.75	11.86	80	95	98	4.17				
18	16	07	-	-	41	3.76	3.45	1.69	-	-	2.0	8.9	10.7	380	2450	2790	1.98	10.75	11.86	80	95	98	4.17				
22	16	07	-	-	45	4.10	3.22	1.58	-	-	2.0	8.9	10.7	380	2450	2790	1.98	10.75	11.86	80	95	98	4.06				
24	16	07	-	-	47	4.42	3.00	1.47	-	-	2.0	8.9	10.7	380	2450	2790	1.98	10.75	11.86	80	95	98	4.06				
18	18	07	-	-	43	3.63	3.63	1.63	-	-	2.0	8.9	10.7	380	2450	2790	1.98	10.75	11.86	80	95	98	4.16				
22	18	07	-	-	47	3.97	3.40	1.53	-	-	2.0	8.9	10.7	380	2450	2790	1.98	10.75	11.86	80	95	98	4.06				
24	18	07	-	-	49	4.29	3.18	1.43	-	-	2.0	8.9	10.7	380	2450	2790	1.98	10.75	11.86	80	95	98	4.06				
22	22	07	-	-	51	3.86	3.86	1.49	-	-	2.0	9.2	11.0	380	2250	2590	1.98	9.77	11.01	80	96	98	4.03				
24	22	07	-	-	53	4.23	3.66	1.41	-	-	2.0	9.3	11.1														

Operation mode : Heating

Power supply voltage : 240V

Operating status	Indoor unit						Unit capacity (kW)					Heating capacity (kW)			Power consumption (W)			Operating current (A)			Power factor (%)			SCOP
	A	B	C	D	E	ΣkBTU	A	B	C	D	E	Min	Rate	Max	Min	Rate	Max	Min	Rate	Max	Min	Rate	Max	Rate
3 units	18	16	13	-	-	47	3.24	2.97	2.70	-	-	2.0	8.9	10.7	380	2450	2790	1.98	10.75	11.86	80	95	98	4.17
	22	16	13	-	-	51	3.56	2.80	2.54	-	-	2.0	8.9	10.7	380	2450	2790	1.98	10.75	11.86	80	95	98	4.06
	24	16	13	-	-	53	3.88	2.63	2.39	-	-	2.0	8.9	10.7	380	2450	2790	1.98	10.75	11.86	80	95	98	4.06
	18	18	13	-	-	49	3.14	3.14	2.62	-	-	2.0	8.9	10.7	380	2450	2790	1.98	10.75	11.86	80	95	98	4.16
	22	18	13	-	-	53	3.62	3.10	2.58	-	-	2.0	9.3	11.1	380	2270	2610	1.98	9.96	11.10	80	95	98	4.06
	24	18	13	-	-	55	3.94	2.92	2.43	-	-	2.0	9.3	11.1	380	2270	2610	1.98	9.96	11.10	80	95	98	4.06
	16	16	16	-	-	48	2.97	2.97	2.97	-	-	2.0	8.9	10.7	380	2450	2790	1.98	10.75	11.86	80	95	98	4.17

Specification values are those under the condition as follows ;

Heating : Capacity test condition, inside : 20 °C (Db), outside : 7 °C (Db) / 6°C (Wb)

Piping length : 5 m. per indoor unit.

Operation mode : Heating

Power supply voltage : 240V

Operating status	Indoor unit						Unit capacity (kW)					Heating capacity (kW)			Power consumption (W)			Operating current (A)			Power factor (%)			SCOP		
	A	B	C	D	E	ΣkBTU	A	B	C	D	E	Min	Rate	Max	Min	Rate	Max	Min	Rate	Max	Min	Rate	Max	Min	Rate	Max
4 units	05	05	05	05	-	20	2.00	2.00	2.00	2.00	-	2.2	8.0	11.4	450	1880	2830	2.34	8.25	12.03	80	95	98	4.14		
	07	05	05	05	-	22	2.70	2.00	2.00	2.00	-	2.2	8.7	11.4	450	2060	2830	2.34	9.04	12.03	80	95	98	4.14		
	10	05	05	05	-	25	3.76	1.88	1.88	1.88	-	2.2	9.4	11.4	450	2220	2830	2.34	9.74	12.03	80	95	98	4.14		
	13	05	05	05	-	28	4.36	1.75	1.75	1.75	-	2.2	9.6	11.5	450	2310	2850	2.34	10.13	12.12	80	95	98	4.14		
	16	05	05	05	-	31	4.69	1.70	1.70	1.70	-	2.2	9.8	11.5	450	2380	2850	2.34	10.44	12.12	80	95	98	4.14		
	18	05	05	05	-	33	4.90	1.63	1.63	1.63	-	2.2	9.8	11.5	450	2380	2850	2.34	10.44	12.12	80	95	98	4.14		
	22	05	05	05	-	37	5.28	1.51	1.51	1.51	-	2.2	9.8	11.5	450	2380	2850	2.34	10.44	12.12	80	95	98	4.05		
	24	05	05	05	-	39	5.63	1.39	1.39	1.39	-	2.2	9.8	11.5	450	2380	2850	2.34	10.44	12.12	80	95	98	4.05		
	07	07	05	05	-	24	2.70	2.70	2.00	2.00	-	2.2	9.4	11.2	450	2300	2800	2.34	10.09	11.90	80	95	98	4.14		
	10	07	05	05	-	27	3.59	2.42	1.79	1.79	-	2.2	9.6	11.5	450	2360	2850	2.34	10.35	12.12	80	95	98	4.14		
	13	07	05	05	-	30	4.19	2.26	1.68	1.68	-	2.2	9.8	11.5	450	2380	2850	2.34	10.44	12.12	80	95	98	4.14		
	16	07	05	05	-	33	4.42	2.17	1.61	1.61	-	2.2	9.8	11.5	450	2380	2850	2.34	10.44	12.12	80	95	98	4.14		
	18	07	05	05	-	35	4.63	2.08	1.54	1.54	-	2.2	9.8	11.5	450	2380	2850	2.34	10.44	12.12	80	95	98	4.14		
	22	07	05	05	-	39	5.01	1.93	1.43	1.43	-	2.2	9.8	11.5	450	2380	2850	2.34	10.44	12.12	80	95	98	4.05		
	24	07	05	05	-	41	5.47	1.82	1.35	1.35	-	2.2	10.0	11.7	450	2400	2900	2.34	10.53	12.33	80	95	98	4.05		
	10	10	05	05	-	30	3.27	3.27	1.63	1.63	-	2.2	9.8	11.5	450	2380	2850	2.34	10.44	12.12	80	95	98	4.14		
	13	10	05	05	-	33	3.77	3.02	1.51	1.51	-	2.2	9.8	11.5	450	2380	2850	2.34	10.44	12.12	80	95	98	4.14		
	16	10	05	05	-	36	3.99	2.90	1.45	1.45	-	2.2	9.8	11.5	450	2380	2850	2.34	10.44	12.12	80	95	98	4.14		
	18	10	05	05	-	38	4.20	2.80	1.40	1.40	-	2.2	9.8	11.5	450	2380	2850	2.34	10.44	12.12	80	95	98	4.14		
	22	10	05	05	-	42	4.67	2.67	1.33	1.33	-	2.2	10.0	11.7	450	2400	2900	2.34	10.53	12.33	80	95	98	4.05		
	24	10	05	05	-	44	5.03	2.48	1.24	1.24	-	2.2	10.0	11.7	450	2400	2900	2.34	10.53	12.33	80	95	98	4.05		
	13	13	05	05	-	36	3.50	3.50	1.40	1.40	-	2.2	9.8	11.5	450	2380	2900	2.34	10.44	12.33	80	95	98	4.14		
	16	13	05	05	-	39	3.72	3.38	1.35	1.35	-	2.2	9.8	11.5	450	2380	2900	2.34	10.44	12.33	80	95	98	4.14		
	18	13	05	05	-	41	4.00	3.33	1.33	1.33	-	2.2	10.0	11.7	450	2400	2900	2.34	10.53	12.33	80	95	98	4.14		
	22	13	05	05	-	45	4.38	3.13	1.25	1.25	-	2.2	10.0	11.7	450	2400	2900	2.34	10.53	12.33	80	95	98	4.05		
	24	13	05	05	-	47	4.74	2.92	1.17	1.17	-	2.2	10.0	11.7	450	2400	2900	2.34	10.53	12.33	80	95	98	4.05		
	16	16	05	05	-	42	3.67	3.67	1.33	1.33	-	2.2	10.0	11.7	450	2400	2900	2.34	10.53	12.33	80	95	98	4.14		
	18	16	05	05	-	44	3.87	3.55	1.29	1.29	-	2.2	10.0	11.7	450	2400	2900	2.34	10.53	12.33	80	95	98	4.14		
	22	16	05	05	-	48	4.24	3.33	1.21	1.21	-	2.2	10.0	11.7	450	2400	2900	2.34	10.53	12.33	80	95	98	4.05		
	24	16	05	05	-	50	4.60	3.13	1.14	1.14	-	2.2	10.0	11.7	450	2400	2900	2.34	10.53	12.33	80	95	98	4.05		
	18	18	05	05	-	46	3.75	3.75	1.25	1.25	-	2.2	10.0	11.7	450	2400	2900	2.34	10.53	12.33	80	95	98	4.14		
	22	18	05	05	-	50	4.12	3.53	1.18	1.18	-	2.2	10.0	11.7	450	2400	2900	2.34	10.53	12.33	80	95	98	4.05		
	24	18	05	05	-	52	4.48	3.31	1.10	1.10	-	2.2	10.0	11.7	450	2400	2900	2.34	10.53	12.33	80	95	98	4.05		
	22	22	05	05	-	54	3.89	3.89	1.11	1.11	-	2.2	10.0	11.7	450	2400	2900	2.34	10.53	12.33	80	95	98	4.06		
	07	07	07	05	-	26	2.57	2.57	2.57	1.90	-	2.2	9.6	11.5	450	2360	2850	2.34	10.35	12.12	80	95	98	4.14		
	10	07	07	05	-	29	3.37	2.27	2.27	1.68	-	2.2	9.6	11.5	450	2360	2850	2.34	10.35	12.12	80	95	98	4.14		
	13	07	07	05	-	32	3.95	2.13	2.13	1.58	-	2.2	9.8	11.7	450	2380	2900	2.34	10.44	12.33	80	95	98	4.14		
	16	07	07	05	-	35	4.18	2.05	2.05	1.52	-	2.2	9.8	11.7	450	2380	2900	2.34	10.44	12.33	80	95	98	4.14		
	18	07	07	05	-	37	4.39	1.97	1.97	1.46	-	2.2	9.8	11.7	450	2380	2900	2.34	10.44	12.33	80	95	98	4.14		
	22	07	07	05	-	41	4.86	1.88	1.88	1.39	-	2.2	10.0	11.7	450	2400	2900	2.34	10.53	12.33	80	95	98	4.05		
	24	07	07	05	-	43	5.23	1.74	1.74	1.29	-	2.2	10.0	11.7	450	2400	2900	2.34	10.53	12.33	80	95	98	4.05		
	10	10	07	05	-	32	3.09	3.09	2.08	1.54	-	2.2	9.8	11.6	450	2380	2880	2.34	10.44	12.24	80	95	98	4.14		
	13	10	07	05	-	35	3.58	2.86	1.93	1.43	-	2.2	9.8	11.6	450	2380	2880	2.34	10.44	12.24	80	95	98	4.14		
	16	10	07	05	-	38	3.80	2.76	1.86	1.38	-	2.2	9.8	11.6	450	2380	2880	2.34	10.44	12.24	80	95	98	4.14		
	18	10	07	05	-	40	4.08	2.72	1.84	1.36	-	2.2	10.0	11.7	450	2400	2900	2.34	10.53	12.33	80	95	98	4.14		
	22	10	07	05	-	44	4.46	2.55	1.72	1.27	-	2.2	10.0	11.7	450	2400	2900	2.34	10.53	12.33	80	95	98	4.05		
	24	10	07	05	-	46	4.82	2.38	1.61	1.19	-	2.2	10.0	11.7	450	2400	2900	2.34	10.53	12.33	80	95	98	4.05		
	13	13	07	05	-	38	3.33	3.33	1.80	1.33	-	2.2	9.8	11.6	450	2400	2880	2.34	10.53	12.24	80	95	98	4.14		
16	13	07	05	-	41	3.62	3.29	1.78	1.32	-	2.2	10.0	11.7	450	2400	2900	2.34	10.53	12.33	80	95	98	4.14			
18	13	07	05	-	43	3.82	3.18	1.72	1.27	-	2.2	10.0	11.7	450	2400	2900	2.34	10.53	12.33	80	95	98	4.14			
22	13	07	05	-	47	4.19	2.99	1.62	1.20	-	2.2	10.0	11.7	450	2400	2900	2.34	10.53	12.33	80	95	98	4.05			
24	13	07	05	-	49	4.55	2.81	1.52	1.12	-	2.2	10.0	11.7	450	2400	2900	2.34	10.53	12.33	80	95	98	4.05			
16	16	07	05	-	44	3.50	3.50	1.72	1.27	-	2.2	10.0	11.7	450	2400	2900	2.34	10.53	12.33	80	95	98	4.14			
18	16	07	05	-	46	3.70	3.40	1.67	1.23	-	2.2	10.0	11.7	450	2400	2900	2.34	10.53	12.33	80	95	98	4.14			
22	16	07	05	-	50	4.07	3.20	1.57	1.16	-	2.2	10.0	11.7	450	2400	2900	2.34	10.53	12.33	80	95	98	4.05			
18	18	07	05	-	48	3.59	3.59	1.62	1.20	-	2.2	10.0	11.7	450	2400	2900	2.34	10.53	12.33	80	95	98	4.14			
22	18	07	05	-	52	3.95	3.39	1.53	1.13	-	2.2	10.0	11.7	450	2400	2900	2.34	10.53	12.33	80	95	98	4.05			
10	10	10	05	-	35	2.80	2.80	2.80	1.40	-	2.2	9.8	11.6	450	2380	2880	2.34	10.44	12.24	80	95	98	4.14			
13	10	10	05	-	38	3.27	2.61	2.61	1.31	-	2.2	9.8	11.6	450	2380	2880	2.34	10.44	12.24	80	95	98	4.14			
16	10	10	05	-	41	3.55	2.58	2.58	1.29	-	2.2	10.0	11.7	450	2400	2900	2.34	10.53	12.33	80	95	98	4.14			
18	10	10	05	-	43	3.75	2.50	2.50	1.25	-	2.2															

Operation mode : Heating

Power supply voltage : 240V

Operating status	Indoor unit					Unit capacity (kW)					Heating capacity (kW)			Power consumption (W)			Operating current (A)			Power factor (%)			SCOP	
	A	B	C	D	E	ΣkBTU	A	B	C	D	E	Min	Rate	Max	Min	Rate	Max	Min	Rate	Max	Min	Rate		Max
4 units	24	13	07	07	-	51	4.38	2.70	1.46	1.46	-	2.2	10.0	11.7	490	2400	2900	2.55	10.53	12.33	80	95	98	4.05
	16	16	07	07	-	46	3.35	3.35	1.65	1.65	-	2.2	10.0	11.7	490	2400	2900	2.55	10.53	12.33	80	95	98	4.14
	18	16	07	07	-	48	3.55	3.25	1.60	1.60	-	2.2	10.0	11.7	490	2400	2900	2.55	10.53	12.33	80	95	98	4.14
	22	16	07	07	-	52	3.91	3.07	1.51	1.51	-	2.2	10.0	11.7	490	2400	2900	2.55	10.53	12.33	80	95	98	4.05
	24	16	07	07	-	54	4.26	2.89	1.42	1.42	-	2.2	10.0	11.7	490	2400	2900	2.55	10.53	12.33	80	95	98	4.05
	18	18	07	07	-	50	3.45	3.45	1.55	1.55	-	2.2	10.0	11.7	490	2400	2900	2.55	10.53	12.33	80	95	98	4.14
	22	18	07	07	-	54	3.80	3.26	1.47	1.47	-	2.2	10.0	11.7	490	2400	2900	2.55	10.53	12.33	80	95	98	4.05
	24	18	07	07	-	56	4.15	3.08	1.38	1.38	-	2.2	10.0	11.7	490	2400	2900	2.55	10.53	12.33	80	95	98	4.05
	10	10	10	07	-	37	2.61	2.61	2.61	1.76	-	2.2	9.6	11.6	470	2360	2880	2.45	10.35	12.24	80	95	98	4.14
	13	10	10	07	-	40	3.12	2.50	2.50	1.69	-	2.2	9.8	11.6	480	2380	2880	2.50	10.44	12.24	80	95	98	4.14
	16	10	10	07	-	43	3.36	2.44	2.44	1.65	-	2.2	9.9	11.7	480	2390	2900	2.50	10.48	12.33	80	95	98	4.14
	18	10	10	07	-	45	3.59	2.40	2.40	1.62	-	2.2	10.0	11.7	490	2400	2900	2.55	10.53	12.33	80	95	98	4.14
	22	10	10	07	-	49	3.95	2.26	2.26	1.53	-	2.2	10.0	11.7	490	2400	2900	2.55	10.53	12.33	80	95	98	4.05
	24	10	10	07	-	51	4.31	2.13	2.13	1.44	-	2.2	10.0	11.7	490	2400	2900	2.55	10.53	12.33	80	95	98	4.05
	13	13	10	07	-	43	2.99	2.99	2.40	1.62	-	2.2	10.0	11.7	490	2400	2900	2.55	10.53	12.33	80	95	98	4.14
	16	13	10	07	-	46	3.20	2.91	2.33	1.57	-	2.2	10.0	11.7	490	2400	2900	2.55	10.53	12.33	80	95	98	4.14
	18	13	10	07	-	48	3.39	2.82	2.26	1.53	-	2.2	10.0	11.7	490	2400	2900	2.55	10.53	12.33	80	95	98	4.14
	22	13	10	07	-	52	3.74	2.67	2.14	1.44	-	2.2	10.0	11.7	490	2400	2900	2.55	10.53	12.33	80	95	98	4.05
	24	13	10	07	-	54	4.09	2.53	2.02	1.36	-	2.2	10.0	11.7	490	2400	2900	2.55	10.53	12.33	80	95	98	4.05
	16	16	10	07	-	49	3.11	3.11	2.26	1.53	-	2.2	10.0	11.7	490	2400	2900	2.55	10.53	12.33	80	95	98	4.14
	18	16	10	07	-	51	3.30	3.02	2.20	1.48	-	2.2	10.0	11.7	490	2400	2900	2.55	10.53	12.33	80	95	98	4.14
	22	16	10	07	-	55	3.65	2.86	2.08	1.41	-	2.2	10.0	11.7	490	2400	2900	2.55	10.53	12.33	80	95	98	4.05
	24	16	10	07	-	57	3.99	2.71	1.97	1.33	-	2.2	10.0	11.7	490	2400	2900	2.55	10.53	12.33	80	95	98	4.05
	18	18	10	07	-	53	3.21	3.21	2.14	1.44	-	2.2	10.0	11.7	490	2400	2900	2.55	10.53	12.33	80	95	98	4.14
	22	18	10	07	-	57	3.55	3.05	2.03	1.37	-	2.2	10.0	11.7	490	2400	2900	2.55	10.53	12.33	80	95	98	4.05
	24	18	10	07	-	59	3.89	2.88	1.92	1.30	-	2.2	10.0	11.7	490	2400	2900	2.55	10.53	12.33	80	95	98	4.05
	13	13	13	07	-	46	2.82	2.82	2.82	1.53	-	2.2	10.0	11.7	490	2400	2900	2.55	10.53	12.33	80	95	98	4.14
	16	13	13	07	-	49	3.02	2.75	2.75	1.48	-	2.2	10.0	11.7	490	2400	2900	2.55	10.53	12.33	80	95	98	4.14
	18	13	13	07	-	51	3.21	2.67	2.67	1.44	-	2.2	10.0	11.7	490	2400	2900	2.55	10.53	12.33	80	95	98	4.14
	22	13	13	07	-	55	3.55	2.54	2.54	1.37	-	2.2	10.0	11.7	490	2400	2900	2.55	10.53	12.33	80	95	98	4.05
	24	13	13	07	-	57	3.89	2.40	2.40	1.30	-	2.2	10.0	11.7	490	2400	2900	2.55	10.53	12.33	80	95	98	4.05
	16	16	13	07	-	52	2.94	2.94	2.67	1.44	-	2.2	10.0	11.7	490	2400	2900	2.55	10.53	12.33	80	95	98	4.14
	18	16	13	07	-	54	3.13	2.86	2.60	1.41	-	2.2	10.0	11.7	490	2400	2900	2.55	10.53	12.33	80	95	98	4.14
	22	16	13	07	-	58	3.47	2.72	2.48	1.34	-	2.2	10.0	11.7	490	2400	2900	2.55	10.53	12.33	80	95	98	4.05
	24	16	13	07	-	60	3.80	2.58	2.35	1.27	-	2.2	10.0	11.7	490	2400	2900	2.55	10.53	12.33	80	95	98	4.05
	18	18	13	07	-	56	3.05	3.05	2.54	1.37	-	2.2	10.0	11.7	490	2400	2900	2.55	10.53	12.33	80	95	98	4.14
	22	18	13	07	-	60	3.38	2.90	2.42	1.30	-	2.2	10.0	11.7	490	2400	2900	2.55	10.53	12.33	80	95	98	4.05
	24	18	13	07	-	62	3.72	2.75	2.29	1.24	-	2.2	10.0	11.7	490	2400	2900	2.55	10.53	12.33	80	95	98	4.05
	10	10	10	10	-	40	2.43	2.43	2.43	2.43	-	2.2	9.7	11.6	470	2370	2780	2.45	10.39	11.82	80	95	98	4.14
	13	10	10	10	-	43	2.91	2.33	2.33	2.33	-	2.2	9.9	11.7	480	2390	2900	2.50	10.48	12.33	80	95	98	4.14
	16	10	10	10	-	46	3.14	2.29	2.29	2.29	-	2.2	10.0	11.7	490	2400	2900	2.55	10.53	12.33	80	95	98	4.14
	18	10	10	10	-	48	3.33	2.22	2.22	2.22	-	2.2	10.0	11.7	490	2400	2900	2.55	10.53	12.33	80	95	98	4.14
	22	10	10	10	-	52	3.68	2.11	2.11	2.11	-	2.2	10.0	11.7	490	2400	2900	2.55	10.53	12.33	80	95	98	4.05
	24	10	10	10	-	54	4.03	1.99	1.99	1.99	-	2.2	10.0	11.7	490	2400	2900	2.55	10.53	12.33	80	95	98	4.05
	13	13	10	10	-	46	2.78	2.78	2.22	2.22	-	2.2	10.0	11.7	490	2400	2900	2.55	10.53	12.33	80	95	98	4.14
	16	13	10	10	-	49	2.97	2.70	2.16	2.16	-	2.2	10.0	11.7	490	2400	2900	2.55	10.53	12.33	80	95	98	4.14
	18	13	10	10	-	51	3.16	2.63	2.11	2.11	-	2.2	10.0	11.7	490	2400	2900	2.55	10.53	12.33	80	95	98	4.14
	22	13	10	10	-	55	3.50	2.50	2.00	2.00	-	2.2	10.0	11.7	490	2400	2900	2.55	10.53	12.33	80	95	98	4.05
24	13	10	10	-	57	3.84	2.37	1.90	1.90	-	2.2	10.0	11.7	490	2400	2900	2.55	10.53	12.33	80	95	98	4.05	
16	16	10	10	-	52	2.89	2.89	2.11	2.11	-	2.2	10.0	11.7	490	2400	2900	2.55	10.53	12.33	80	95	98	4.14	
18	16	10	10	-	54	3.08	2.82	2.05	2.05	-	2.2	10.0	11.7	490	2400	2900	2.55	10.53	12.33	80	95	98	4.14	
22	16	10	10	-	58	3.41	2.68	1.95	1.95	-	2.2	10.0	11.7	490	2400	2900	2.55	10.53	12.33	80	95	98	4.05	
24	16	10	10	-	60	3.75	2.55	1.85	1.85	-	2.2	10.0	11.7	490	2400	2900	2.55	10.53	12.33	80	95	98	4.05	
18	18	10	10	-	56	3.00	3.00	2.00	2.00	-	2.2	10.0	11.7	490	2400	2900	2.55	10.53	12.33	80	95	98	4.14	
22	18	10	10	-	60	3.33	2.86	1.90	1.90	-	2.2	10.0	11.7	490	2400	2900	2.55	10.53	12.33	80	95	98	4.05	
24	18	10	10	-	62	3.67	2.71	1.81	1.81	-	2.2	10.0	11.7	490	2400	2900	2.55	10.53	12.33	80	95	98	4.05	
13	13	13	10	-	49	2.63	2.63	2.63	2.11	-	2.2	10.0	11.7	490	2400	2900	2.55	10.53	12.33	80	95	98	4.14	
16	13	13	10	-	52	2.82	2.56	2.56	2.05	-	2.2	10.0	11.7	490	2400	2900	2.55	10.53	12.33	80	95	98	4.14	
18	13	13	10	-	54	3.00	2.50	2.50	2.00	-	2.2	10.0	11.7	490	2400	2900	2.55	10.53	12.33	80	95	98	4.14	
22	13	13	10	-	58	3.33	2.38	2.38	1.90	-	2.2	10.0	11.7	490	2400	2900	2.55	10.53	12.33	80	95	98	4.05	
24	13	13	10	-	60	3.67	2.26	2.26	1.81	-	2.2													

Operation mode : Heating

Power supply voltage : 240V

Operating status	Indoor unit						Unit capacity (kW)					Heating capacity (kW)			Power consumption (W)			Operating current (A)			Power factor (%)			SCOP
	A	B	C	D	E	ΣkBTU	A	B	C	D	E	Min	Rate	Max	Min	Rate	Max	Min	Rate	Max	Min	Rate	Max	
5 units	05	05	05	05	05	25	2.00	2.00	2.00	2.00	2.00	2.7	10.0	12.0	508	2350	3160	2.65	10.31	13.44	80	95	98	4.08
	07	05	05	05	05	27	2.70	2.00	2.00	2.00	2.00	2.7	10.7	12.5	508	2520	3350	2.65	11.05	14.24	80	95	98	4.08
	10	05	05	05	05	30	3.83	1.92	1.92	1.92	1.92	2.7	11.5	13.5	508	2740	4100	2.65	12.02	17.43	80	95	98	4.08
	13	05	05	05	05	33	4.42	1.77	1.77	1.77	1.77	2.7	11.5	13.5	508	2740	4100	2.65	12.02	17.43	80	95	98	4.08
	16	05	05	05	05	36	4.77	1.73	1.73	1.73	1.73	2.7	11.7	13.7	508	2762	4120	2.65	12.11	17.52	80	95	98	4.08
	18	05	05	05	05	38	5.01	1.67	1.67	1.67	1.67	2.7	11.7	13.7	508	2762	4120	2.65	12.11	17.52	80	95	98	4.07
	07	07	05	05	05	29	2.70	2.70	2.00	2.00	2.00	2.7	11.4	13.4	508	2690	4020	2.65	11.80	17.09	80	95	98	4.08
	10	07	05	05	05	32	3.62	2.44	1.81	1.81	1.81	2.7	11.5	13.5	508	2740	4100	2.65	12.02	17.43	80	95	98	4.08
	13	07	05	05	05	35	4.20	2.27	1.68	1.68	1.68	2.7	11.5	13.5	508	2740	4100	2.65	12.02	17.43	80	95	98	4.08
	16	07	05	05	05	38	4.53	2.22	1.65	1.65	1.65	2.7	11.7	13.7	508	2762	4120	2.65	12.11	17.52	80	95	98	4.08
	18	07	05	05	05	40	4.78	2.15	1.59	1.59	1.59	2.7	11.7	13.7	508	2762	4120	2.65	12.11	17.52	80	95	98	4.07
	10	10	05	05	05	35	3.34	3.34	1.67	1.67	1.67	2.7	11.7	13.7	508	2762	4120	2.65	12.11	17.52	80	95	98	4.08
	13	10	05	05	05	38	3.90	3.12	1.56	1.56	1.56	2.7	11.7	13.7	508	2762	4120	2.65	12.11	17.52	80	95	98	4.08
	16	10	05	05	05	41	4.15	3.02	1.51	1.51	1.51	2.7	11.7	13.7	508	2762	4120	2.65	12.11	17.52	80	95	98	4.08
	18	10	05	05	05	43	4.39	2.93	1.46	1.46	1.46	2.7	11.7	13.7	508	2762	4120	2.65	12.11	17.52	80	95	98	4.07
	13	13	05	05	05	41	3.66	3.66	1.46	1.46	1.46	2.7	11.7	13.7	508	2762	4120	2.65	12.11	17.52	80	95	98	4.08
	16	13	05	05	05	44	3.90	3.55	1.42	1.42	1.42	2.7	11.7	13.7	508	2762	4120	2.65	12.11	17.52	80	95	98	4.08
	18	13	05	05	05	46	4.13	3.44	1.38	1.38	1.38	2.7	11.7	13.7	508	2762	4120	2.65	12.11	17.52	80	95	98	4.07
	16	16	05	05	05	47	3.79	3.79	1.38	1.38	1.38	2.7	11.7	13.7	508	2762	4120	2.65	12.11	17.52	80	95	98	4.08
	18	16	05	05	05	49	4.01	3.68	1.34	1.34	1.34	2.7	11.7	13.7	508	2762	4120	2.65	12.11	17.52	80	95	98	4.07
	18	18	05	05	05	51	3.90	3.90	1.30	1.30	1.30	2.7	11.7	13.7	508	2762	4120	2.65	12.11	17.52	80	95	98	4.07
	07	07	07	05	05	31	2.57	2.57	2.57	1.90	1.90	2.7	11.5	13.2	508	2740	4120	2.65	12.02	17.52	80	95	98	4.08
	10	07	07	05	05	34	3.49	2.36	2.36	1.75	1.75	2.7	11.7	13.7	508	2762	4120	2.65	12.11	17.52	80	95	98	4.08
	13	07	07	05	05	37	4.06	2.19	2.19	1.63	1.63	2.7	11.7	13.7	508	2762	4120	2.65	12.11	17.52	80	95	98	4.08
	16	07	07	05	05	40	4.32	2.12	2.12	1.57	1.57	2.7	11.7	13.7	508	2762	4120	2.65	12.11	17.52	80	95	98	4.08
	18	07	07	05	05	42	4.56	2.05	2.05	1.52	1.52	2.7	11.7	13.7	508	2762	4120	2.65	12.11	17.52	80	95	98	4.07
	10	10	07	05	05	37	3.18	3.18	2.15	1.59	1.59	2.7	11.7	13.7	508	2762	4120	2.65	12.11	17.52	80	95	98	4.08
	13	10	07	05	05	40	3.73	2.98	2.01	1.49	1.49	2.7	11.7	13.7	508	2762	4120	2.65	12.11	17.52	80	95	98	4.08
	16	10	07	05	05	43	3.97	2.89	1.95	1.44	1.44	2.7	11.7	13.7	508	2762	4120	2.65	12.11	17.52	80	95	98	4.08
	18	10	07	05	05	45	4.20	2.80	1.89	1.40	1.40	2.7	11.7	13.7	508	2762	4120	2.65	12.11	17.52	80	95	98	4.07
	13	13	07	05	05	43	3.50	3.50	1.89	1.40	1.40	2.7	11.7	13.7	508	2762	4120	2.65	12.11	17.52	80	95	98	4.08
	16	13	07	05	05	46	3.74	3.40	1.84	1.36	1.36	2.7	11.7	13.7	508	2762	4120	2.65	12.11	17.52	80	95	98	4.08
	18	13	07	05	05	48	3.97	3.31	1.78	1.32	1.32	2.7	11.7	13.7	508	2762	4120	2.65	12.11	17.52	80	95	98	4.07
	16	16	07	05	05	49	3.64	3.64	1.78	1.32	1.32	2.7	11.7	13.7	508	2762	4120	2.65	12.11	17.52	80	95	98	4.08
	18	16	07	05	05	51	3.86	3.54	1.74	1.29	1.29	2.7	11.7	13.7	508	2762	4120	2.65	12.11	17.52	80	95	98	4.07
	10	10	10	05	05	40	2.93	2.93	2.93	1.46	1.46	2.7	11.7	13.7	508	2762	4120	2.65	12.11	17.52	80	95	98	4.08
	13	10	10	05	05	43	3.44	2.75	2.75	1.38	1.38	2.7	11.7	13.7	508	2762	4120	2.65	12.11	17.52	80	95	98	4.08
	16	10	10	05	05	46	3.68	2.67	2.67	1.34	1.34	2.7	11.7	13.7	508	2762	4120	2.65	12.11	17.52	80	95	98	4.08
	18	10	10	05	05	48	3.90	2.60	2.60	1.30	1.30	2.7	11.7	13.7	508	2762	4120	2.65	12.11	17.52	80	95	98	4.07
	13	13	10	05	05	46	3.25	3.25	2.60	1.30	1.30	2.7	11.7	13.7	508	2762	4120	2.65	12.11	17.52	80	95	98	4.08
	07	07	07	07	05	33	2.43	2.43	2.43	2.43	1.80	2.7	11.5	13.2	508	2762	4120	2.65	12.11	17.52	80	95	98	4.08
	10	07	07	07	05	36	3.32	2.24	2.24	2.24	1.66	2.7	11.7	13.7	508	2762	4120	2.65	12.11	17.52	80	95	98	4.08
	13	07	07	07	05	39	3.87	2.09	2.09	2.09	1.55	2.7	11.7	13.7	508	2762	4120	2.65	12.11	17.52	80	95	98	4.08
	16	07	07	07	05	42	4.13	2.03	2.03	2.03	1.50	2.7	11.7	13.7	508	2762	4120	2.65	12.11	17.52	80	95	98	4.08
	18	07	07	07	05	44	4.36	1.96	1.96	1.96	1.45	2.7	11.7	13.7	508	2762	4120	2.65	12.11	17.52	80	95	98	4.07
	10	10	07	07	05	39	3.04	3.04	2.05	2.05	1.52	2.7	11.7	13.7	508	2762	4120	2.65	12.11	17.52	80	95	98	4.08
	13	10	07	07	05	42	3.57	2.85	1.93	1.43	1.43	2.7	11.7	13.7	508	2762	4120	2.65	12.11	17.52	80	95	98	4.08
	16	10	07	07	05	45	3.81	2.77	1.87	1.87	1.38	2.7	11.7	13.7	508	2762	4120	2.65	12.11	17.52	80	95	98	4.08
	18	10	07	07	05	47	4.03	2.69	1.82	1.82	1.34	2.7	11.7	13.7	508	2762	4120	2.65	12.11	17.52	80	95	98	4.07
	13	13	07	07	05	45	3.36	3.36	1.82	1.82	1.34	2.7	11.7	13.7	508	2762	4120	2.65	12.11	17.52	80	95	98	4.08
16	13	07	07	05	48	3.59	3.27	1.76	1.76	1.31	2.7	11.7	13.7	508	2762	4120	2.65	12.11	17.52	80	95	98	4.08	
10	10	10	07	05	42	2.80	2.80	2.80	1.89	1.40	2.7	11.7	13.7	508	2762	4120	2.65	12.11	17.52	80	95	98	4.08	
13	10	10	07	05	45	3.31	2.64	2.64	1.78	1.32	2.7	11.7	13.7	508	2762	4120	2.65	12.11	17.52	80	95	98	4.08	
16	10	10	07	05	48	3.54	2.57	2.57	1.74	1.29	2.7	11.7	13.7	508	2762	4120	2.65	12.11	17.52	80	95	98	4.08	
10	10	10	10	05	45	2.60	2.60	2.60	2.60	1.30	2.7	11.7	13.7	508	2762	4120	2.65	12.11	17.52	80	95	98	4.08	
07	07	07	07	07	35	2.28	2.28	2.28	2.28	2.28	2.7	11.4	13.4	508	2690	4020	2.65	11.80	17.09	80	95	98	4.08	
10	07	07	07	07	38	3.16	2.13	2.13	2.13	2.13	2.7	11.7	13.7	508	2762	4120	2.65	12.11	17.52	80	95	98	4.08	
13	07	07	07	07	41	3.70	2.00	2.00	2.00	2.00	2.7	11.7	13.7	508	2762	4120	2.65	12.11	17.52	80	95	98	4.08	
16	07	07	07	07	44	3.95	1.94	1.94	1.94	1.94	2.7	11.7	13.7	508	2762									

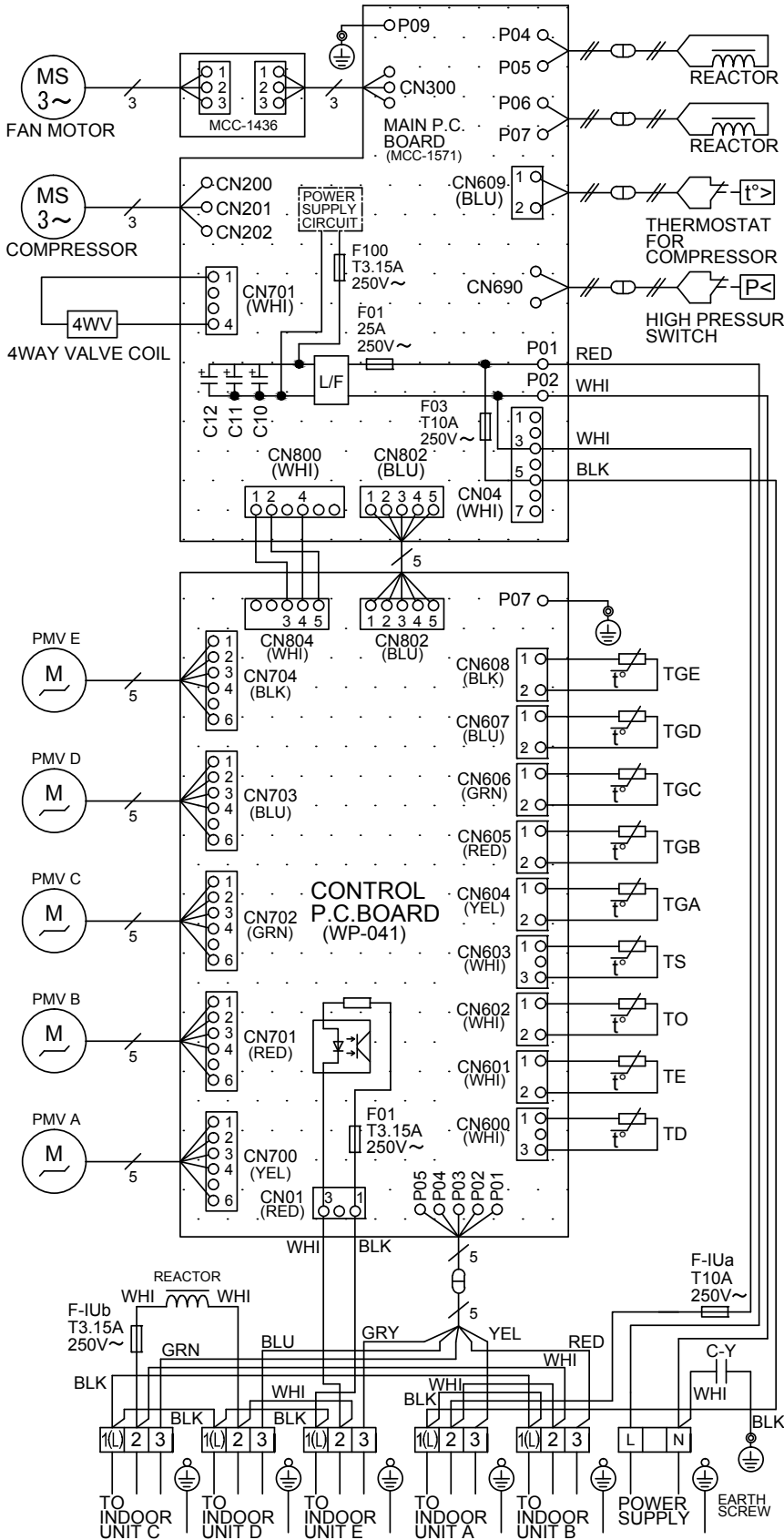
Operation mode : Heating

Power supply voltage : 240V

Operating status	Indoor unit						Unit capacity (kW)					Heating capacity (kW)			Power consumption (W)			Operating current (A)			Power factor (%)			SCOP	
	A	B	C	D	E	ΣkBTU	A	B	C	D	E	Min	Rate	Max	Min	Rate	Max	Min	Rate	Max	Min	Rate	Max		Min
5 units	13	13	13	10	07	56	2.70	2.70	2.70	2.16	1.46	2.7	11.7	13.7	508	2762	4120	2.65	12.11	17.52	80	95	98	4.08	
	16	13	13	10	07	59	2.90	2.64	2.64	2.11	1.42	2.7	11.7	13.7	508	2762	4120	2.65	12.11	17.52	80	95	98	4.08	
	18	13	13	10	07	61	3.09	2.58	2.58	2.06	1.39	2.7	11.7	13.7	508	2762	4120	2.65	12.11	17.52	80	95	98	4.07	
	16	16	13	10	07	62	2.83	2.83	2.58	2.06	1.39	2.7	11.7	13.7	508	2762	4120	2.65	12.11	17.52	80	95	98	4.08	
	13	13	13	13	07	59	2.58	2.58	2.58	2.58	1.39	2.7	11.7	13.7	508	2762	4120	2.65	12.11	17.52	80	95	98	4.08	
	16	13	13	13	07	62	2.77	2.52	2.52	2.52	1.36	2.7	11.7	13.7	508	2762	4120	2.65	12.11	17.52	80	95	98	4.08	
	18	13	13	13	07	64	2.96	2.47	2.47	2.47	1.33	2.7	11.7	13.7	508	2762	4120	2.65	12.11	17.52	80	95	98	4.07	
	16	16	13	13	07	65	2.72	2.72	2.47	2.47	1.33	2.7	11.7	13.7	508	2762	4120	2.65	12.11	17.52	80	95	98	4.08	
	10	10	10	10	10	50	2.34	2.34	2.34	2.34	2.34	2.7	11.7	13.7	508	2762	4120	2.65	12.11	17.52	80	95	98	4.08	
	13	10	10	10	10	53	2.79	2.23	2.23	2.23	2.23	2.7	11.7	13.7	508	2762	4120	2.65	12.11	17.52	80	95	98	4.08	
	16	10	10	10	10	56	2.99	2.18	2.18	2.18	2.18	2.7	11.7	13.7	508	2762	4120	2.65	12.11	17.52	80	95	98	4.08	
	18	10	10	10	10	58	3.19	2.13	2.13	2.13	2.13	2.7	11.7	13.7	508	2762	4120	2.65	12.11	17.52	80	95	98	4.07	
	13	13	10	10	10	56	2.66	2.66	2.13	2.13	2.13	2.7	11.7	13.7	508	2762	4120	2.65	12.11	17.52	80	95	98	4.08	
	16	13	10	10	10	59	2.86	2.60	2.08	2.08	2.08	2.7	11.7	13.7	508	2762	4120	2.65	12.11	17.52	80	95	98	4.08	
	18	13	10	10	10	61	3.05	2.54	2.03	2.03	2.03	2.7	11.7	13.7	508	2762	4120	2.65	12.11	17.52	80	95	98	4.07	
	16	16	10	10	10	62	2.80	2.80	2.03	2.03	2.03	2.7	11.7	13.7	508	2762	4120	2.65	12.11	17.52	80	95	98	4.08	
	13	13	13	10	10	59	2.54	2.54	2.54	2.03	2.03	2.7	11.7	13.7	508	2762	4120	2.65	12.11	17.52	80	95	98	4.08	
	16	13	13	10	10	62	2.74	2.49	2.49	1.99	1.99	2.7	11.7	13.7	508	2762	4120	2.65	12.11	17.52	80	95	98	4.08	
	18	13	13	10	10	64	2.93	2.44	2.44	1.95	1.95	2.7	11.7	13.7	508	2762	4120	2.65	12.11	17.52	80	95	98	4.07	
	16	16	13	10	10	65	2.75	2.75	2.50	2.00	2.00	2.7	12.0	14.0	508	2833	4200	2.65	12.43	17.86	80	95	98	4.08	
	13	13	13	13	10	62	2.44	2.44	2.44	2.44	1.95	2.7	11.7	13.7	508	2762	4120	2.65	12.11	17.52	80	95	98	4.08	
	16	13	13	13	10	65	2.69	2.45	2.45	2.45	1.96	2.7	12.0	14.0	508	2833	4200	2.65	12.43	17.86	80	95	98	4.08	
	18	13	13	13	10	67	2.88	2.40	2.40	2.40	1.92	2.7	12.0	14.0	508	2833	4200	2.65	12.43	17.86	80	95	98	4.07	
	16	16	13	13	10	68	2.64	2.64	2.40	2.40	1.92	2.7	12.0	14.0	508	2833	4200	2.65	12.43	17.86	80	95	98	4.08	
	13	13	13	13	13	65	2.40	2.40	2.40	2.40	2.40	2.7	12.0	14.0	508	2833	4200	2.65	12.43	17.86	80	95	98	4.08	
	16	13	13	13	13	68	2.59	2.35	2.35	2.35	2.35	2.7	12.0	14.0	508	2833	4200	2.65	12.43	17.86	80	95	98	4.08	
	22	05*	05*	05*	05*	42	5.46	1.56	1.56	1.56	1.56	2.7	11.7	13.7	508	2762	4120	2.65	12.11	17.52	80	95	98	3.95	
	24	05*	05*	05*	05*	44	5.89	1.45	1.45	1.45	1.45	2.7	11.7	13.7	508	2762	4120	2.65	12.11	17.52	80	95	98	3.95	
	22	07*	05*	05*	05*	44	5.22	2.01	1.49	1.49	1.49	2.7	11.7	13.7	508	2762	4120	2.65	12.11	17.52	80	95	98	3.95	
	24	07*	05*	05*	05*	46	5.64	1.88	1.39	1.39	1.39	2.7	11.7	13.7	508	2762	4120	2.65	12.11	17.52	80	95	98	3.95	
	22	10*	05*	05*	05*	47	4.82	2.75	1.38	1.38	1.38	2.7	11.7	13.7	508	2762	4120	2.65	12.11	17.52	80	95	98	3.95	
	24	10*	05*	05*	05*	49	5.24	2.59	1.29	1.29	1.29	2.7	11.7	13.7	508	2762	4120	2.65	12.11	17.52	80	95	98	3.95	
	22	13*	05*	05*	05*	50	4.55	3.25	1.30	1.30	1.30	2.7	11.7	13.7	508	2762	4120	2.65	12.11	17.52	80	95	98	3.95	
	24	13*	05*	05*	05*	52	4.96	3.06	1.23	1.23	1.23	2.7	11.7	13.7	508	2762	4120	2.65	12.11	17.52	80	95	98	3.95	
	22	07*	07*	05*	05*	46	4.99	1.93	1.93	1.43	1.43	2.7	11.7	13.7	508	2762	4120	2.65	12.11	17.52	80	95	98	3.95	
	24	07*	07*	05*	05*	48	5.42	1.81	1.81	1.34	1.34	2.7	11.7	13.7	508	2762	4120	2.65	12.11	17.52	80	95	98	3.95	
	22	10*	07*	05*	05*	49	4.63	2.64	1.78	1.32	1.32	2.7	11.7	13.7	508	2762	4120	2.65	12.11	17.52	80	95	98	3.95	
	24	10*	07*	05*	05*	51	5.04	2.49	1.68	1.24	1.24	2.7	11.7	13.7	508	2762	4120	2.65	12.11	17.52	80	95	98	3.95	
	22	13*	07*	05*	05*	52	4.38	3.13	1.69	1.25	1.25	2.7	11.7	13.7	508	2762	4120	2.65	12.11	17.52	80	95	98	3.95	
	24	13*	07*	05*	05*	54	4.79	2.95	1.60	1.18	1.18	2.7	11.7	13.7	508	2762	4120	2.65	12.11	17.52	80	95	98	3.95	
22	10*	10*	05*	05*	52	4.31	2.46	2.46	1.23	1.23	2.7	11.7	13.7	508	2762	4120	2.65	12.11	17.52	80	95	98	3.95		
24	10*	10*	05*	05*	54	4.71	2.33	2.33	1.16	1.16	2.7	11.7	13.7	508	2762	4120	2.65	12.11	17.52	80	95	98	3.95		
22	13*	10*	05*	05*	55	4.10	2.93	2.34	1.17	1.17	2.7	11.7	13.7	508	2762	4120	2.65	12.11	17.52	80	95	98	3.95		
24	13*	10*	05*	05*	57	4.49	2.77	2.22	1.11	1.11	2.7	11.7	13.7	508	2762	4120	2.65	12.11	17.52	80	95	98	3.95		
22	13*	13*	05*	05*	58	3.90	2.79	2.79	1.11	1.11	2.7	11.7	13.7	508	2762	4120	2.65	12.11	17.52	80	95	98	3.95		
24	13*	13*	05*	05*	60	4.29	2.65	2.65	1.06	1.06	2.7	11.7	13.7	508	2762	4120	2.65	12.11	17.52	80	95	98	3.95		
22	07*	07*	07*	05*	48	4.79	1.85	1.85	1.85	1.37	2.7	11.7	13.7	508	2762	4120	2.65	12.11	17.52	80	95	98	3.95		
24	07*	07*	07*	05*	50	5.21	1.74	1.74	1.74	1.29	2.7	11.7	13.7	508	2762	4120	2.65	12.11	17.52	80	95	98	3.95		
22	10*	07*	07*	05*	51	4.45	2.54	1.72	1.27	1.27	2.7	11.7	13.7	508	2762	4120	2.65	12.11	17.52	80	95	98	3.95		
24	10*	07*	07*	05*	53	4.86	2.40	1.62	1.62	1.20	2.7	11.7	13.7	508	2762	4120	2.65	12.11	17.52	80	95	98	3.95		
22	13*	07*	07*	05*	54	4.22	3.02	1.63	1.63	1.21	2.7	11.7	13.7	508	2762	4120	2.65	12.11	17.52	80	95	98	3.95		
24	13*	07*	07*	05*	56	4.62	2.85	1.54	1.54	1.14	2.7	11.7	13.7	508	2762	4120	2.65	12.11	17.52	80	95	98	3.95		
22	10*	10*	07*	05*	54	4.16	2.38	2.38	1.60	1.19	2.7	11.7	13.7	508	2762	4120	2.65	12.11	17.52	80	95	98	3.95		
24	10*	10*	07*	05*	56	4.56	2.25	2.25	1.52	1.13	2.7	11.7	13.7	508	2762	4120	2.65	12.11	17.52	80	95	98	3.95		
22	13*	10*	07*	05*	57	3.96	2.83	2.26	1.53	1.13	2.7	11.7	13.7	508	2762	4120	2.65	12.11	17.52	80	95	98	3.95		
24	13*	10*	07*	05*	59	4.35	2.68	2.15	1.45	1.07	2.7	11.7	13.7	508	2762	4120	2.65	12.11	17.52	80	95	98	3.95		
22	13*	13*	07*	05*	60	3.77	2.70	2.70	1.46	1.08	2.7	11.7	13.7	508	2762	4120	2.65	12.11	17.52	80	95	98	3.95		
24	13*	13*	07*	05*	62	4.16	2.57	2.57	1.39	1.03	2.7	11.7	13.7	508	2762	4120	2.65	12.11	17.52	80	95	98	3.95		
22	10*	10*	10*	05*	57	3.90	2.23	2.23	2.23	1.11	2.7	11.7	13.7	50											

4. Wiring diagrams

RAS-5M34U2AVG-E



⚠ CAUTION : HIGH VOLTAGE

The high voltage circuit is incorporated. Be careful to do the check service as the electric shock may be caused in case of touching parts on the P.C. board by hand.

COLOR IDENTIFICATION

BLK:BLACK	GRN:GREEN
BLU:BLUE	WHI:WHITE
RED:RED	YEL:YELLOW
GRY:GRAY	

WIRING DIAGRAM

TERMINAL OF COMPRESSOR

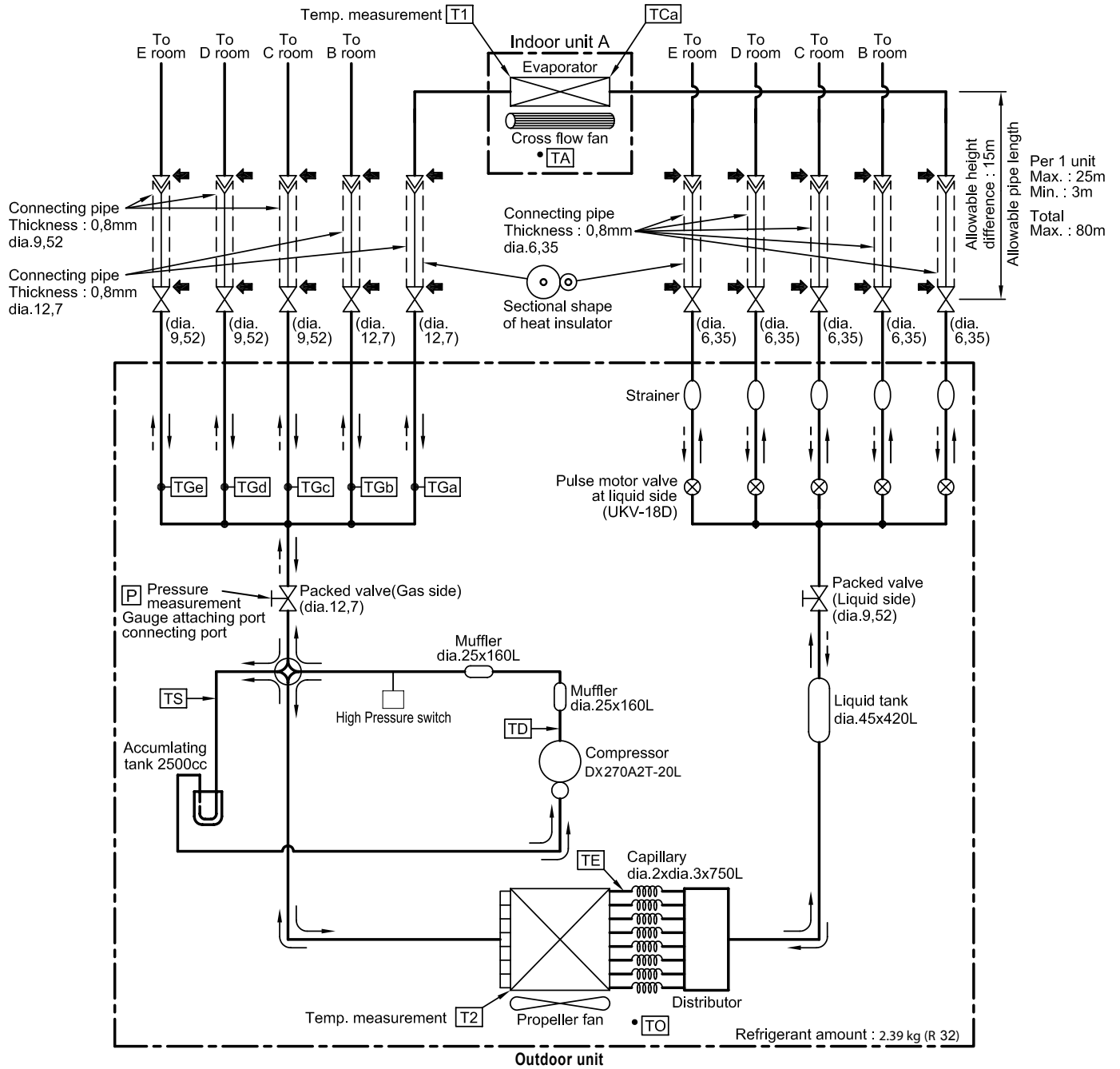
WHITE(S) BLACK(C)

THE SIGN IN () IS DISPLAYED IN THE TERMINAL COVER.

Symbol	Part name
PMV	PULSE MOTOR VALVE
TD	DISCHARGE PIPE TEMP. SENSOR
TE	CONDENSER PIPE TEMP. SENSOR
TO	OUTDOOR TEMP. SENSOR
TS	SUCTION PIPE TEMP. SENSOR
TGA-TGE	GAS SIDE PIPE TEMP. SENSOR A-E
L / F	LINE FILTER
F-IUa, F-IUb	PROTECTION CONNECTING FUSE a, b
C-Y	Y-CAPACITOR

5. Refrigerant Cycle Diagram

RAS-5M34U2AVG-E



NOTE :

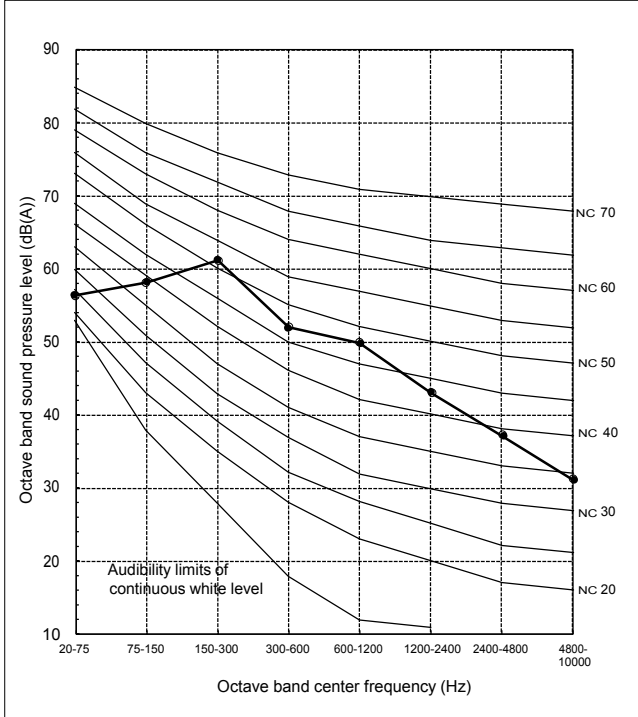
- You need not add refrigerant if the piping length is 40m or less.
- If the length exceeds 41m, add 20g of refrigerant per 1 meter over.
- Connection of only one indoor unit is unavailable. Two or more indoor units should be connected.

6. Sound Characteristics (NC Curve)

RAS-5M34U2AVG-E

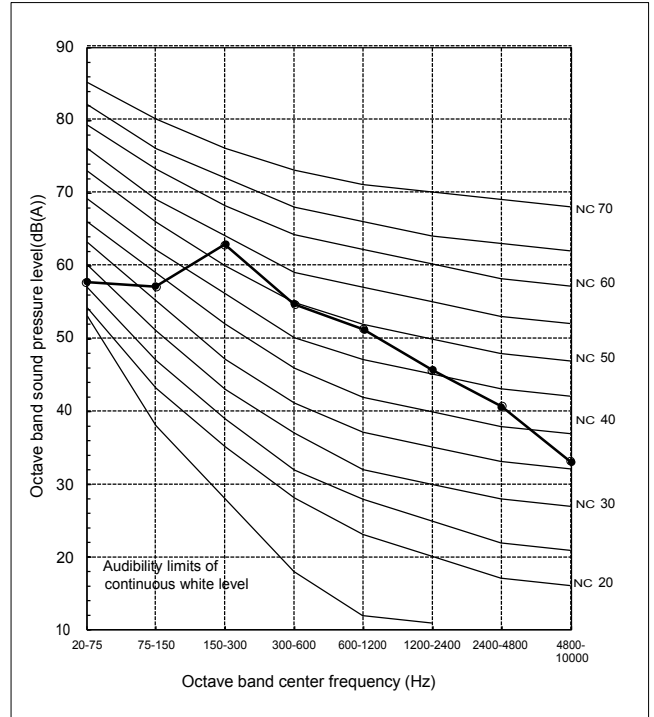
(Cooling)

Fan Tap	Cooling
Sound pressure level (dB(A))	52

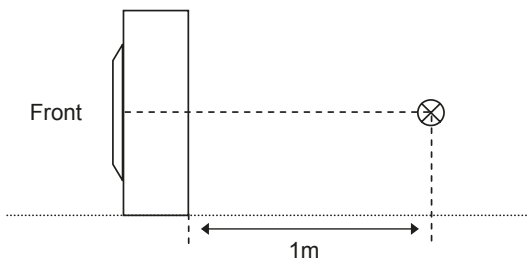


(Heating)

Fan Tap	Heating
Sound pressure level (dB(A))	55



Sound level values shown are based on a measurement in a non resonant room.



7. Capacity table

Cooling

5 - rooms multisplit : 1 - unit operation

Indoor units : 05 type 16 type
 07 type 18 type
 10 type 22 type
 13 type 24 type

Outdoor unit : RAS-5M34U2AVG-E

TC : Total capacity[kW]

PI : Power input [kW]

Combination (Capacity)	Outdoor air temp. [°C DB]	Indoor air temp. [°C WB]											
		14		16		18		19		22		24	
		TC [kW]	PI [kW]	TC [kW]	PI [kW]	TC [kW]	PI [kW]	TC [kW]	PI [kW]	TC [kW]	PI [kW]	TC [kW]	PI [kW]
05	46	1.17	0.70	1.24	0.71	1.31	0.72	1.35	0.73	1.45	0.74	1.52	0.75
	43	1.22	0.68	1.28	0.69	1.35	0.70	1.39	0.70	1.49	0.72	1.56	0.73
	40	1.26	0.66	1.33	0.67	1.40	0.68	1.43	0.68	1.53	0.70	1.60	0.71
	35	1.33	0.61	1.40	0.62	1.47	0.63	1.50	0.64	1.60	0.65	1.67	0.66
	32	1.37	0.60	1.44	0.61	1.51	0.62	1.54	0.62	1.65	0.64	1.72	0.65
	25	1.47	0.55	1.54	0.55	1.61	0.57	1.64	0.57	1.74	0.59	1.81	0.59
	22	1.51	0.52	1.58	0.53	1.65	0.55	1.68	0.55	1.78	0.57	1.86	0.57
07	46	1.56	0.71	1.66	0.72	1.75	0.73	1.80	0.74	1.93	0.75	2.03	0.76
	43	1.62	0.69	1.71	0.70	1.81	0.71	1.85	0.72	1.99	0.73	2.08	0.74
	40	1.68	0.67	1.77	0.68	1.86	0.69	1.91	0.69	2.05	0.71	2.14	0.72
	35	1.77	0.62	1.86	0.63	1.95	0.64	2.00	0.65	2.14	0.67	2.23	0.68
	32	1.83	0.61	1.92	0.61	2.01	0.63	2.06	0.63	2.19	0.65	2.29	0.66
	25	1.96	0.55	2.05	0.56	2.14	0.58	2.19	0.58	2.32	0.60	2.42	0.60
	22	2.01	0.53	2.10	0.54	2.20	0.55	2.24	0.55	2.38	0.57	2.47	0.58
10	46	2.11	0.82	2.24	0.83	2.36	0.84	2.42	0.85	2.61	0.87	2.74	0.88
	43	2.19	0.80	2.31	0.81	2.44	0.82	2.50	0.83	2.69	0.84	2.81	0.85
	40	2.26	0.77	2.39	0.78	2.51	0.79	2.58	0.80	2.76	0.82	2.89	0.83
	35	2.39	0.72	2.51	0.73	2.64	0.74	2.70	0.75	2.89	0.77	3.01	0.78
	32	2.46	0.70	2.59	0.71	2.71	0.73	2.78	0.73	2.96	0.75	3.09	0.76
	25	2.64	0.64	2.77	0.65	2.89	0.67	2.95	0.67	3.14	0.69	3.26	0.70
	22	2.72	0.61	2.84	0.62	2.97	0.64	3.03	0.64	3.21	0.66	3.34	0.67
13	46	2.90	1.31	3.07	1.33	3.24	1.35	3.32	1.36	3.58	1.39	3.75	1.41
	43	3.00	1.27	3.17	1.29	3.34	1.31	3.43	1.32	3.68	1.35	3.85	1.37
	40	3.10	1.23	3.27	1.25	3.44	1.27	3.53	1.28	3.78	1.31	3.96	1.32
	35	3.27	1.15	3.44	1.17	3.61	1.19	3.70	1.20	3.96	1.23	4.13	1.25
	32	3.38	1.12	3.55	1.13	3.72	1.16	3.81	1.16	4.06	1.20	4.23	1.21
	25	3.62	1.02	3.79	1.03	3.96	1.06	4.05	1.07	4.30	1.10	4.47	1.11
	22	3.72	0.98	3.89	0.99	4.06	1.02	4.15	1.02	4.40	1.06	4.58	1.07
16	46	3.52	1.81	3.73	1.83	3.94	1.86	4.04	1.88	4.35	1.91	4.56	1.94
	43	3.65	1.75	3.85	1.78	4.06	1.80	4.17	1.82	4.48	1.85	4.69	1.88
	40	3.77	1.69	3.98	1.72	4.19	1.75	4.29	1.76	4.60	1.80	4.81	1.82
	35	3.98	1.58	4.19	1.61	4.40	1.64	4.50	1.65	4.81	1.69	5.02	1.71
	32	4.11	1.54	4.32	1.56	4.52	1.60	4.63	1.60	4.94	1.65	5.15	1.67
	25	4.40	1.41	4.61	1.42	4.82	1.46	4.92	1.47	5.23	1.52	5.44	1.53
	22	4.53	1.35	4.73	1.36	4.94	1.41	5.05	1.41	5.35	1.46	5.57	1.47
18	46	3.91	2.14	4.14	2.17	4.37	2.20	4.49	2.22	4.83	2.26	5.07	2.29
	43	4.05	2.07	4.28	2.10	4.51	2.13	4.63	2.15	4.97	2.19	5.21	2.22
	40	4.19	2.00	4.42	2.03	4.65	2.06	4.77	2.08	5.11	2.12	5.35	2.15
	35	4.42	1.87	4.65	1.90	4.88	1.93	5.00	1.95	5.35	2.00	5.58	2.03
	32	4.56	1.82	4.79	1.84	5.03	1.89	5.14	1.89	5.48	1.95	5.72	1.97
	25	4.89	1.66	5.12	1.68	5.35	1.73	5.47	1.73	5.81	1.79	6.04	1.81
	22	5.03	1.59	5.26	1.61	5.49	1.66	5.61	1.66	5.95	1.72	6.18	1.74
22	46	4.69	2.21	4.97	2.24	5.25	2.27	5.39	2.30	5.80	2.34	6.08	2.37
	43	4.86	2.14	5.14	2.17	5.42	2.21	5.56	2.22	5.97	2.27	6.25	2.30
	40	5.03	2.07	5.31	2.10	5.58	2.14	5.72	2.15	6.14	2.20	6.42	2.23
	35	5.31	1.94	5.58	1.97	5.86	2.00	6.00	2.02	6.41	2.07	6.69	2.10
	32	5.48	1.89	5.75	1.91	6.03	1.95	6.17	1.96	6.58	2.02	6.86	2.04
	25	5.87	1.72	6.15	1.74	6.42	1.79	6.56	1.79	6.97	1.85	7.25	1.87
	22	6.04	1.65	6.31	1.67	6.59	1.72	6.73	1.72	7.14	1.79	7.42	1.80
24	46	5.56	2.62	5.88	2.66	6.21	2.69	6.38	2.72	6.87	2.77	7.19	2.81
	43	5.75	2.54	6.08	2.57	6.41	2.61	6.57	2.63	7.06	2.68	7.39	2.72
	40	5.95	2.45	6.28	2.49	6.61	2.53	6.77	2.55	7.26	2.60	7.59	2.64
	35	6.28	2.30	6.61	2.33	6.94	2.37	7.10	2.39	7.59	2.45	7.92	2.48
	32	6.48	2.23	6.81	2.26	7.14	2.31	7.30	2.32	7.79	2.39	8.12	2.41
	25	6.94	2.04	7.27	2.06	7.60	2.12	7.76	2.12	8.25	2.19	8.58	2.22
	22	7.14	1.95	7.47	1.98	7.80	2.04	7.96	2.04	8.45	2.11	8.78	2.13

Cooling

5 - rooms multisplit : 2 - unit operation

Indoor units : 05 type + 05 type 16 type + 05 type
 07 type + 05 type 18 type + 05 type
 10 type + 05 type 22 type + 05 type
 13 type + 05 type 24 type + 05 type

Outdoor unit : RAS-5M34U2AVG-E

TC : Total capacity [kW]

PI : Power input [kW]

Combination (Capacity)	Outdoor air temp. [°C DB]	Indoor air temp. [° C WB]											
		14		16		18		19		22		24	
		TC [kW]	PI [kW]	TC [kW]	PI [kW]	TC [kW]	PI [kW]	TC [kW]	PI [kW]	TC [kW]	PI [kW]	TC [kW]	PI [kW]
05 + 05	46	2.35	0.76	2.49	0.77	2.62	0.78	2.69	0.78	2.90	0.80	3.04	0.81
	43	2.43	0.73	2.57	0.74	2.71	0.75	2.78	0.76	2.98	0.78	3.12	0.79
	40	2.51	0.71	2.65	0.72	2.79	0.73	2.86	0.74	3.07	0.75	3.21	0.76
	35	2.65	0.66	2.79	0.67	2.93	0.68	3.00	0.69	3.21	0.71	3.35	0.72
	32	2.74	0.64	2.88	0.65	3.02	0.67	3.09	0.67	3.29	0.69	3.43	0.70
	25	2.93	0.59	3.07	0.60	3.21	0.61	3.28	0.61	3.49	0.63	3.63	0.64
	22	3.02	0.56	3.16	0.57	3.30	0.59	3.36	0.59	3.57	0.61	3.71	0.62
07 + 05	46	2.74	0.91	2.90	0.92	3.06	0.93	3.14	0.94	3.38	0.96	3.55	0.98
	43	2.84	0.88	3.00	0.89	3.16	0.91	3.24	0.91	3.48	0.93	3.64	0.95
	40	2.93	0.85	3.10	0.86	3.26	0.88	3.34	0.88	3.58	0.90	3.74	0.92
	35	3.10	0.80	3.26	0.81	3.42	0.82	3.50	0.83	3.74	0.85	3.90	0.86
	32	3.19	0.77	3.36	0.78	3.52	0.80	3.60	0.81	3.84	0.83	4.00	0.84
	25	3.42	0.71	3.58	0.72	3.75	0.74	3.83	0.74	4.07	0.76	4.23	0.77
	22	3.52	0.68	3.68	0.69	3.84	0.71	3.93	0.71	4.16	0.73	4.33	0.74
10 + 05	46	3.29	1.13	3.48	1.14	3.67	1.16	3.77	1.17	4.06	1.19	4.26	1.21
	43	3.40	1.09	3.60	1.11	3.79	1.12	3.89	1.13	4.18	1.16	4.37	1.17
	40	3.52	1.06	3.71	1.07	3.91	1.09	4.01	1.10	4.29	1.12	4.49	1.14
	35	3.71	0.99	3.91	1.01	4.10	1.02	4.20	1.03	4.49	1.05	4.68	1.07
	32	3.83	0.96	4.03	0.97	4.22	1.00	4.32	1.00	4.61	1.03	4.80	1.04
	25	4.11	0.88	4.30	0.89	4.50	0.91	4.59	0.91	4.88	0.95	5.08	0.95
	22	4.22	0.84	4.42	0.85	4.61	0.88	4.71	0.88	5.00	0.91	5.19	0.92
13 + 05	46	4.07	1.47	4.31	1.49	4.55	1.51	4.67	1.52	5.03	1.55	5.27	1.57
	43	4.21	1.42	4.45	1.44	4.69	1.46	4.81	1.48	5.17	1.51	5.41	1.53
	40	4.36	1.37	4.60	1.39	4.84	1.42	4.96	1.43	5.32	1.46	5.56	1.48
	35	4.60	1.29	4.84	1.31	5.08	1.33	5.20	1.34	5.56	1.37	5.80	1.39
	32	4.75	1.25	4.99	1.27	5.23	1.30	5.35	1.30	5.70	1.34	5.95	1.35
	25	5.09	1.14	5.33	1.16	5.57	1.19	5.69	1.19	6.04	1.23	6.29	1.24
	22	5.23	1.10	5.47	1.11	5.71	1.14	5.83	1.14	6.19	1.18	6.43	1.19
16 + 05	46	4.69	1.75	4.97	1.78	5.25	1.80	5.39	1.82	5.80	1.85	6.08	1.88
	43	4.86	1.70	5.14	1.72	5.42	1.75	5.56	1.76	5.97	1.80	6.25	1.82
	40	5.03	1.64	5.31	1.66	5.58	1.69	5.72	1.70	6.14	1.74	6.42	1.77
	35	5.31	1.54	5.58	1.56	5.86	1.59	6.00	1.60	6.41	1.64	6.69	1.66
	32	5.48	1.49	5.75	1.51	6.03	1.55	6.17	1.55	6.58	1.60	6.86	1.62
	25	5.87	1.36	6.15	1.38	6.42	1.42	6.56	1.42	6.97	1.47	7.25	1.48
	22	6.04	1.31	6.31	1.32	6.59	1.36	6.73	1.36	7.14	1.41	7.42	1.43
18 + 05	46	5.09	1.95	5.39	1.98	5.69	2.00	5.84	2.02	6.29	2.06	6.59	2.09
	43	5.27	1.89	5.57	1.91	5.87	1.94	6.02	1.96	6.47	2.00	6.77	2.03
	40	5.45	1.83	5.75	1.85	6.05	1.88	6.20	1.90	6.65	1.94	6.95	1.97
	35	5.75	1.71	6.05	1.74	6.35	1.77	6.50	1.78	6.95	1.82	7.25	1.85
	32	5.93	1.66	6.23	1.68	6.53	1.72	6.68	1.73	7.13	1.78	7.43	1.80
	25	6.36	1.52	6.66	1.54	6.96	1.58	7.11	1.58	7.55	1.63	7.86	1.65
	22	6.54	1.46	6.84	1.47	7.14	1.52	7.29	1.52	7.73	1.57	8.04	1.59
22 + 05	46	5.79	2.36	6.13	2.39	6.47	2.42	6.65	2.44	7.16	2.49	7.50	2.53
	43	6.00	2.28	6.34	2.31	6.68	2.35	6.85	2.37	7.36	2.42	7.71	2.45
	40	6.20	2.21	6.54	2.24	6.89	2.27	7.06	2.29	7.57	2.34	7.91	2.37
	35	6.54	2.06	6.89	2.10	7.23	2.13	7.40	2.15	7.91	2.20	8.25	2.23
	32	6.75	2.01	7.10	2.03	7.44	2.08	7.61	2.09	8.12	2.15	8.46	2.17
	25	7.24	1.83	7.58	1.85	7.92	1.91	8.09	1.91	8.60	1.97	8.95	1.99
	22	7.44	1.76	7.79	1.78	8.13	1.83	8.30	1.83	8.80	1.90	9.15	1.92
24 + 05	46	5.79	2.17	6.13	2.20	6.47	2.23	6.65	2.25	7.16	2.29	7.50	2.33
	43	6.00	2.10	6.34	2.13	6.68	2.16	6.85	2.18	7.36	2.22	7.71	2.26
	40	6.20	2.03	6.54	2.06	6.89	2.09	7.06	2.11	7.57	2.16	7.91	2.19
	35	6.54	1.90	6.89	1.93	7.23	1.96	7.40	1.98	7.91	2.03	8.25	2.06
	32	6.75	1.85	7.10	1.87	7.44	1.91	7.61	1.92	8.12	1.98	8.46	2.00
	25	7.24	1.69	7.58	1.71	7.92	1.76	8.09	1.76	8.60	1.82	8.95	1.84
	22	7.44	1.62	7.79	1.64	8.13	1.69	8.30	1.69	8.80	1.75	9.15	1.77

Cooling

5 - rooms multisplit : 2 - unit operation

Indoor units : 07 type + 07 type 18 type + 07 type
 10 type + 07 type 22 type + 07 type
 13 type + 07 type 24 type + 07 type
 16 type + 07 type 10 type + 10 type

Outdoor unit : RAS-5M34U2AVG-E

TC : Total capacity [kW]

PI : Power input [kW]

Combination (Capacity)	Outdoor air temp. [°C DB]	Indoor air temp. [°C WB]											
		14		16		18		19		22		24	
		TC [kW]	PI [kW]	TC [kW]	PI [kW]	TC [kW]	PI [kW]	TC [kW]	PI [kW]	TC [kW]	PI [kW]	TC [kW]	PI [kW]
07 + 07	46	3.13	1.53	3.31	1.56	3.50	1.58	3.59	1.59	3.87	1.62	4.05	1.65
	43	3.24	1.49	3.43	1.51	3.61	1.53	3.70	1.54	3.98	1.57	4.17	1.60
	40	3.35	1.44	3.54	1.46	3.72	1.48	3.82	1.49	4.09	1.52	4.28	1.55
	35	3.54	1.34	3.72	1.37	3.91	1.39	4.00	1.40	4.28	1.43	4.46	1.45
	32	3.65	1.31	3.84	1.32	4.02	1.35	4.11	1.36	4.39	1.40	4.57	1.41
	25	3.91	1.19	4.10	1.21	4.28	1.24	4.37	1.24	4.65	1.29	4.84	1.30
	22	4.02	1.14	4.21	1.16	4.39	1.19	4.49	1.19	4.76	1.24	4.95	1.25
10 + 07	46	3.68	1.68	3.89	1.70	4.11	1.72	4.22	1.74	4.54	1.77	4.76	1.80
	43	3.81	1.62	4.03	1.65	4.24	1.67	4.35	1.68	4.68	1.72	4.89	1.74
	40	3.94	1.57	4.16	1.59	4.37	1.62	4.48	1.63	4.81	1.67	5.03	1.69
	35	4.16	1.47	4.37	1.49	4.59	1.52	4.70	1.53	5.02	1.57	5.24	1.59
	32	4.29	1.43	4.51	1.45	4.72	1.48	4.83	1.49	5.15	1.53	5.38	1.54
	25	4.60	1.30	4.81	1.32	5.03	1.36	5.14	1.36	5.46	1.40	5.68	1.42
	22	4.73	1.25	4.94	1.27	5.16	1.30	5.27	1.30	5.59	1.35	5.81	1.36
13 + 07	46	4.46	1.98	4.72	2.01	4.99	2.04	5.12	2.06	5.51	2.10	5.78	2.13
	43	4.62	1.92	4.88	1.95	5.15	1.98	5.28	1.99	5.67	2.03	5.94	2.06
	40	4.78	1.86	5.04	1.88	5.30	1.91	5.44	1.93	5.83	1.97	6.09	2.00
	35	5.04	1.74	5.30	1.77	5.57	1.80	5.70	1.81	6.09	1.85	6.36	1.88
	32	5.20	1.69	5.47	1.71	5.73	1.75	5.86	1.76	6.25	1.81	6.52	1.83
	25	5.57	1.54	5.84	1.56	6.10	1.61	6.23	1.61	6.62	1.66	6.89	1.68
	22	5.73	1.48	6.00	1.50	6.26	1.54	6.39	1.54	6.78	1.60	7.05	1.61
16 + 07	46	4.62	1.98	4.89	2.01	5.16	2.04	5.30	2.06	5.70	2.10	5.98	2.13
	43	4.78	1.92	5.05	1.95	5.33	1.98	5.46	1.99	5.87	2.03	6.14	2.06
	40	4.95	1.86	5.22	1.88	5.49	1.91	5.63	1.93	6.03	1.97	6.31	2.00
	35	5.22	1.74	5.49	1.77	5.76	1.80	5.90	1.81	6.31	1.85	6.58	1.88
	32	5.39	1.69	5.66	1.71	5.93	1.75	6.07	1.76	6.47	1.81	6.75	1.83
	25	5.77	1.54	6.04	1.56	6.32	1.61	6.45	1.61	6.85	1.66	7.13	1.68
	22	5.93	1.48	6.21	1.50	6.48	1.54	6.62	1.54	7.02	1.60	7.30	1.61
18 + 07	46	4.93	2.24	5.22	2.27	5.51	2.30	5.66	2.32	6.09	2.36	6.38	2.40
	43	5.11	2.16	5.40	2.19	5.69	2.23	5.83	2.25	6.27	2.29	6.56	2.32
	40	5.28	2.09	5.57	2.12	5.86	2.16	6.01	2.17	6.44	2.22	6.74	2.25
	35	5.57	1.96	5.86	1.99	6.15	2.02	6.30	2.04	6.74	2.09	7.03	2.12
	32	5.75	1.90	6.04	1.93	6.33	1.97	6.48	1.98	6.91	2.04	7.21	2.06
	25	6.16	1.74	6.45	1.76	6.74	1.81	6.89	1.81	7.32	1.87	7.62	1.89
	22	6.34	1.67	6.63	1.69	6.92	1.74	7.07	1.74	7.49	1.80	7.79	1.82
22 + 07	46	4.93	2.24	5.22	2.27	5.51	2.30	5.66	2.32	6.09	2.36	6.38	2.40
	43	5.11	2.16	5.40	2.19	5.69	2.23	5.83	2.25	6.27	2.29	6.56	2.32
	40	5.28	2.09	5.57	2.12	5.86	2.16	6.01	2.17	6.44	2.22	6.74	2.25
	35	5.57	1.96	5.86	1.99	6.15	2.02	6.30	2.04	6.74	2.09	7.03	2.12
	32	5.75	1.90	6.04	1.93	6.33	1.97	6.48	1.98	6.91	2.04	7.21	2.06
	25	6.16	1.74	6.45	1.76	6.74	1.81	6.89	1.81	7.32	1.87	7.62	1.89
	22	6.34	1.67	6.63	1.69	6.92	1.74	7.07	1.74	7.49	1.80	7.79	1.82
24 + 07	46	5.32	2.54	5.63	2.58	5.95	2.61	6.11	2.64	6.58	2.69	6.89	2.73
	43	5.51	2.46	5.82	2.50	6.14	2.53	6.30	2.55	6.76	2.61	7.08	2.64
	40	5.70	2.38	6.01	2.41	6.33	2.45	6.49	2.47	6.95	2.53	7.27	2.56
	35	6.01	2.23	6.33	2.26	6.64	2.30	6.80	2.32	7.27	2.37	7.58	2.41
	32	6.21	2.17	6.52	2.19	6.84	2.24	6.99	2.25	7.46	2.32	7.78	2.34
	25	6.65	1.98	6.96	2.00	7.28	2.06	7.44	2.06	7.90	2.13	8.22	2.15
	22	6.84	1.90	7.15	1.92	7.47	1.98	7.63	1.98	8.09	2.05	8.41	2.07
10 + 10	46	4.23	1.68	4.47	1.70	4.72	1.72	4.85	1.74	5.22	1.77	5.47	1.80
	43	4.38	1.62	4.63	1.65	4.87	1.67	5.00	1.68	5.37	1.72	5.62	1.74
	40	4.53	1.57	4.78	1.59	5.03	1.62	5.15	1.63	5.52	1.67	5.77	1.69
	35	4.78	1.47	5.03	1.49	5.27	1.52	5.40	1.53	5.77	1.57	6.02	1.59
	32	4.93	1.43	5.18	1.45	5.43	1.48	5.55	1.49	5.92	1.53	6.18	1.54
	25	5.28	1.30	5.53	1.32	5.78	1.36	5.91	1.36	6.27	1.40	6.53	1.42
	22	5.43	1.25	5.68	1.27	5.93	1.30	6.06	1.30	6.42	1.35	6.68	1.36

Cooling

5 - rooms multisplit : 2 - unit operation

Indoor units : 13 type + 10 type 24 type + 10 type
 16 type + 10 type 13 type + 13 type
 18 type + 10 type 16 type + 13 type
 22 type + 10 type 18 type + 13 type

Outdoor unit : RAS-5M34U2AVG-E

TC : Total capacity [kW]

PI : Power input [kW]

Combination (Capacity)	Outdoor air temp. [°C DB]	Indoor air temp. [°C WB]											
		14		16		18		19		22		24	
		TC [kW]	PI [kW]	TC [kW]	PI [kW]	TC [kW]	PI [kW]	TC [kW]	PI [kW]	TC [kW]	PI [kW]	TC [kW]	PI [kW]
13 + 10	46	4.62	1.98	4.89	2.01	5.16	2.04	5.30	2.06	5.70	2.10	5.98	2.13
	43	4.78	1.92	5.05	1.95	5.33	1.98	5.46	1.99	5.87	2.03	6.14	2.06
	40	4.95	1.86	5.22	1.88	5.49	1.91	5.63	1.93	6.03	1.97	6.31	2.00
	35	5.22	1.74	5.49	1.77	5.76	1.80	5.90	1.81	6.31	1.85	6.58	1.88
	32	5.39	1.69	5.66	1.71	5.93	1.75	6.07	1.76	6.47	1.81	6.75	1.83
	25	5.77	1.54	6.04	1.56	6.32	1.61	6.45	1.61	6.85	1.66	7.13	1.68
	22	5.93	1.48	6.21	1.50	6.48	1.54	6.62	1.54	7.02	1.60	7.30	1.61
16 + 10	46	4.93	2.24	5.22	2.27	5.51	2.30	5.66	2.32	6.09	2.36	6.38	2.40
	43	5.11	2.16	5.40	2.19	5.69	2.23	5.83	2.25	6.27	2.29	6.56	2.32
	40	5.28	2.09	5.57	2.12	5.86	2.16	6.01	2.17	6.44	2.22	6.74	2.25
	35	5.57	1.96	5.86	1.99	6.15	2.02	6.30	2.04	6.74	2.09	7.03	2.12
	32	5.75	1.90	6.04	1.93	6.33	1.97	6.48	1.98	6.91	2.04	7.21	2.06
	25	6.16	1.74	6.45	1.76	6.74	1.81	6.89	1.81	7.32	1.87	7.62	1.89
	22	6.34	1.67	6.63	1.69	6.92	1.74	7.07	1.74	7.49	1.80	7.79	1.82
18 + 10	46	4.93	2.24	5.22	2.27	5.51	2.30	5.66	2.32	6.09	2.36	6.38	2.40
	43	5.11	2.16	5.40	2.19	5.69	2.23	5.83	2.25	6.27	2.29	6.56	2.32
	40	5.28	2.09	5.57	2.12	5.86	2.16	6.01	2.17	6.44	2.22	6.74	2.25
	35	5.57	1.96	5.86	1.99	6.15	2.02	6.30	2.04	6.74	2.09	7.03	2.12
	32	5.75	1.90	6.04	1.93	6.33	1.97	6.48	1.98	6.91	2.04	7.21	2.06
	25	6.16	1.74	6.45	1.76	6.74	1.81	6.89	1.81	7.32	1.87	7.62	1.89
	22	6.34	1.67	6.63	1.69	6.92	1.74	7.07	1.74	7.49	1.80	7.79	1.82
22 + 10	46	5.32	2.54	5.63	2.58	5.95	2.61	6.11	2.64	6.58	2.69	6.89	2.73
	43	5.51	2.46	5.82	2.50	6.14	2.53	6.30	2.55	6.76	2.61	7.08	2.64
	40	5.70	2.38	6.01	2.41	6.33	2.45	6.49	2.47	6.95	2.53	7.27	2.56
	35	6.01	2.23	6.33	2.26	6.64	2.30	6.80	2.32	7.27	2.37	7.58	2.41
	32	6.21	2.17	6.52	2.19	6.84	2.24	6.99	2.25	7.46	2.32	7.78	2.34
	25	6.65	1.98	6.96	2.00	7.28	2.06	7.44	2.06	7.90	2.13	8.22	2.15
	22	6.84	1.90	7.15	1.92	7.47	1.98	7.63	1.98	8.09	2.05	8.41	2.07
24 + 10	46	5.63	2.79	5.97	2.83	6.30	2.87	6.47	2.90	6.96	2.95	7.30	3.00
	43	5.83	2.71	6.17	2.74	6.50	2.78	6.67	2.81	7.16	2.86	7.50	2.91
	40	6.04	2.62	6.37	2.65	6.70	2.70	6.87	2.72	7.36	2.78	7.70	2.82
	35	6.37	2.45	6.70	2.49	7.03	2.53	7.20	2.55	7.70	2.61	8.03	2.65
	32	6.57	2.38	6.90	2.41	7.24	2.47	7.40	2.48	7.90	2.54	8.23	2.57
	25	7.04	2.17	7.37	2.20	7.71	2.26	7.87	2.26	8.36	2.34	8.70	2.36
	22	7.24	2.08	7.58	2.11	7.91	2.17	8.07	2.17	8.56	2.25	8.91	2.27
13 + 13	46	4.93	2.24	5.22	2.27	5.51	2.30	5.66	2.32	6.09	2.36	6.38	2.40
	43	5.11	2.16	5.40	2.19	5.69	2.23	5.83	2.25	6.27	2.29	6.56	2.32
	40	5.28	2.09	5.57	2.12	5.86	2.16	6.01	2.17	6.44	2.22	6.74	2.25
	35	5.57	1.96	5.86	1.99	6.15	2.02	6.30	2.04	6.74	2.09	7.03	2.12
	32	5.75	1.90	6.04	1.93	6.33	1.97	6.48	1.98	6.91	2.04	7.21	2.06
	25	6.16	1.74	6.45	1.76	6.74	1.81	6.89	1.81	7.32	1.87	7.62	1.89
	22	6.34	1.67	6.63	1.69	6.92	1.74	7.07	1.74	7.49	1.80	7.79	1.82
16 + 13	46	5.32	2.54	5.63	2.58	5.95	2.61	6.11	2.64	6.58	2.69	6.89	2.73
	43	5.51	2.46	5.82	2.50	6.14	2.53	6.30	2.55	6.76	2.61	7.08	2.64
	40	5.70	2.38	6.01	2.41	6.33	2.45	6.49	2.47	6.95	2.53	7.27	2.56
	35	6.01	2.23	6.33	2.26	6.64	2.30	6.80	2.32	7.27	2.37	7.58	2.41
	32	6.21	2.17	6.52	2.19	6.84	2.24	6.99	2.25	7.46	2.32	7.78	2.34
	25	6.65	1.98	6.96	2.00	7.28	2.06	7.44	2.06	7.90	2.13	8.22	2.15
	22	6.84	1.90	7.15	1.92	7.47	1.98	7.63	1.98	8.09	2.05	8.41	2.07
18 + 13	46	5.32	2.54	5.63	2.58	5.95	2.61	6.11	2.64	6.58	2.69	6.89	2.73
	43	5.51	2.46	5.82	2.50	6.14	2.53	6.30	2.55	6.76	2.61	7.08	2.64
	40	5.70	2.38	6.01	2.41	6.33	2.45	6.49	2.47	6.95	2.53	7.27	2.56
	35	6.01	2.23	6.33	2.26	6.64	2.30	6.80	2.32	7.27	2.37	7.58	2.41
	32	6.21	2.17	6.52	2.19	6.84	2.24	6.99	2.25	7.46	2.32	7.78	2.34
	25	6.65	1.98	6.96	2.00	7.28	2.06	7.44	2.06	7.90	2.13	8.22	2.15
	22	6.84	1.90	7.15	1.92	7.47	1.98	7.63	1.98	8.09	2.05	8.41	2.07

Cooling

5 - rooms multisplit : 2 - unit operation

Indoor units : 22 type + 13 type 22 type + 16 type
 24 type + 13 type 24 type + 16 type
 16 type + 16 type 18 type + 18 type
 18 type + 16 type 22 type + 18 type

Outdoor unit : RAS-5M34U2AVG-E

TC : Total capacity [kW]

PI : Power input [kW]

Combination (Capacity)	Outdoor air temp. [°C DB]	Indoor air temp. [°C WB]											
		14		16		18		19		22		24	
		TC [kW]	PI [kW]	TC [kW]	PI [kW]	TC [kW]	PI [kW]	TC [kW]	PI [kW]	TC [kW]	PI [kW]	TC [kW]	PI [kW]
22 + 13	46	5.63	2.79	5.97	2.83	6.30	2.87	6.47	2.90	6.96	2.95	7.30	3.00
	43	5.83	2.71	6.17	2.74	6.50	2.78	6.67	2.81	7.16	2.86	7.50	2.91
	40	6.04	2.62	6.37	2.65	6.70	2.70	6.87	2.72	7.36	2.78	7.70	2.82
	35	6.37	2.45	6.70	2.49	7.03	2.53	7.20	2.55	7.70	2.61	8.03	2.65
	32	6.57	2.38	6.90	2.41	7.24	2.47	7.40	2.48	7.90	2.54	8.23	2.57
	25	7.04	2.17	7.37	2.20	7.71	2.26	7.87	2.26	8.36	2.34	8.70	2.36
	22	7.24	2.08	7.58	2.11	7.91	2.17	8.07	2.17	8.56	2.25	8.91	2.27
24 + 13	46	5.63	2.79	5.97	2.83	6.30	2.87	6.47	2.90	6.96	2.95	7.30	3.00
	43	5.83	2.71	6.17	2.74	6.50	2.78	6.67	2.81	7.16	2.86	7.50	2.91
	40	6.04	2.62	6.37	2.65	6.70	2.70	6.87	2.72	7.36	2.78	7.70	2.82
	35	6.37	2.45	6.70	2.49	7.03	2.53	7.20	2.55	7.70	2.61	8.03	2.65
	32	6.57	2.38	6.90	2.41	7.24	2.47	7.40	2.48	7.90	2.54	8.23	2.57
	25	7.04	2.17	7.37	2.20	7.71	2.26	7.87	2.26	8.36	2.34	8.70	2.36
	22	7.24	2.08	7.58	2.11	7.91	2.17	8.07	2.17	8.56	2.25	8.91	2.27
16 + 16	46	5.63	2.79	5.97	2.83	6.30	2.87	6.47	2.90	6.96	2.95	7.30	3.00
	43	5.83	2.71	6.17	2.74	6.50	2.78	6.67	2.81	7.16	2.86	7.50	2.91
	40	6.04	2.62	6.37	2.65	6.70	2.70	6.87	2.72	7.36	2.78	7.70	2.82
	35	6.37	2.45	6.70	2.49	7.03	2.53	7.20	2.55	7.70	2.61	8.03	2.65
	32	6.57	2.38	6.90	2.41	7.24	2.47	7.40	2.48	7.90	2.54	8.23	2.57
	25	7.04	2.17	7.37	2.20	7.71	2.26	7.87	2.26	8.36	2.34	8.70	2.36
	22	7.24	2.08	7.58	2.11	7.91	2.17	8.07	2.17	8.56	2.25	8.91	2.27
18 + 16	46	5.63	2.79	5.97	2.83	6.30	2.87	6.47	2.90	6.96	2.95	7.30	3.00
	43	5.83	2.71	6.17	2.74	6.50	2.78	6.67	2.81	7.16	2.86	7.50	2.91
	40	6.04	2.62	6.37	2.65	6.70	2.70	6.87	2.72	7.36	2.78	7.70	2.82
	35	6.37	2.45	6.70	2.49	7.03	2.53	7.20	2.55	7.70	2.61	8.03	2.65
	32	6.57	2.38	6.90	2.41	7.24	2.47	7.40	2.48	7.90	2.54	8.23	2.57
	25	7.04	2.17	7.37	2.20	7.71	2.26	7.87	2.26	8.36	2.34	8.70	2.36
	22	7.24	2.08	7.58	2.11	7.91	2.17	8.07	2.17	8.56	2.25	8.91	2.27
22 + 16	46	5.71	2.79	6.05	2.83	6.39	2.87	6.56	2.90	7.06	2.95	7.40	3.00
	43	5.92	2.71	6.25	2.74	6.59	2.78	6.76	2.81	7.26	2.86	7.60	2.91
	40	6.12	2.62	6.46	2.65	6.79	2.70	6.96	2.72	7.46	2.78	7.81	2.82
	35	6.46	2.45	6.79	2.49	7.13	2.53	7.30	2.55	7.80	2.61	8.14	2.65
	32	6.66	2.38	7.00	2.41	7.34	2.47	7.51	2.48	8.01	2.54	8.35	2.57
	25	7.14	2.17	7.48	2.20	7.81	2.26	7.98	2.26	8.48	2.34	8.83	2.36
	22	7.34	2.08	7.68	2.11	8.02	2.17	8.19	2.17	8.68	2.25	9.03	2.27
24 + 16	46	5.71	2.79	6.05	2.83	6.39	2.87	6.56	2.90	7.06	2.95	7.40	3.00
	43	5.92	2.71	6.25	2.74	6.59	2.78	6.76	2.81	7.26	2.86	7.60	2.91
	40	6.12	2.62	6.46	2.65	6.79	2.70	6.96	2.72	7.46	2.78	7.81	2.82
	35	6.46	2.45	6.79	2.49	7.13	2.53	7.30	2.55	7.80	2.61	8.14	2.65
	32	6.66	2.38	7.00	2.41	7.34	2.47	7.51	2.48	8.01	2.54	8.35	2.57
	25	7.14	2.17	7.48	2.20	7.81	2.26	7.98	2.26	8.48	2.34	8.83	2.36
	22	7.34	2.08	7.68	2.11	8.02	2.17	8.19	2.17	8.68	2.25	9.03	2.27
18 + 18	46	5.63	2.79	5.97	2.83	6.30	2.87	6.47	2.90	6.96	2.95	7.30	3.00
	43	5.83	2.71	6.17	2.74	6.50	2.78	6.67	2.81	7.16	2.86	7.50	2.91
	40	6.04	2.62	6.37	2.65	6.70	2.70	6.87	2.72	7.36	2.78	7.70	2.82
	35	6.37	2.45	6.70	2.49	7.03	2.53	7.20	2.55	7.70	2.61	8.03	2.65
	32	6.57	2.38	6.90	2.41	7.24	2.47	7.40	2.48	7.90	2.54	8.23	2.57
	25	7.04	2.17	7.37	2.20	7.71	2.26	7.87	2.26	8.36	2.34	8.70	2.36
	22	7.24	2.08	7.58	2.11	7.91	2.17	8.07	2.17	8.56	2.25	8.91	2.27
22 + 18	46	5.79	2.79	6.13	2.83	6.47	2.87	6.65	2.90	7.16	2.95	7.50	3.00
	43	6.00	2.71	6.34	2.74	6.68	2.78	6.85	2.81	7.36	2.86	7.71	2.91
	40	6.20	2.62	6.54	2.65	6.89	2.70	7.06	2.72	7.57	2.78	7.91	2.82
	35	6.54	2.45	6.89	2.49	7.23	2.53	7.40	2.55	7.91	2.61	8.25	2.65
	32	6.75	2.38	7.10	2.41	7.44	2.47	7.61	2.48	8.12	2.54	8.46	2.57
	25	7.24	2.17	7.58	2.20	7.92	2.26	8.09	2.26	8.60	2.34	8.95	2.36
	22	7.44	2.08	7.79	2.11	8.13	2.17	8.30	2.17	8.80	2.25	9.15	2.27

Cooling

5 - rooms multisplit : 2 - unit operation

Indoor units : 24 type + 18 type
 22 type + 22 type
 24 type + 22 type
 24 type + 24 type

TC : Total capacity [kW]

PI : Power input [kW]

Outdoor unit : RAS-5M34U2AVG-E

Combination (Capacity)	Outdoor air temp. [°C DB]	Indoor air temp. [°C WB]											
		14		16		18		19		22		24	
		TC [kW]	PI [kW]	TC [kW]	PI [kW]	TC [kW]	PI [kW]	TC [kW]	PI [kW]	TC [kW]	PI [kW]	TC [kW]	PI [kW]
24 + 18	46	5.79	2.79	6.13	2.83	6.47	2.87	6.65	2.90	7.16	2.95	7.50	3.00
	43	6.00	2.71	6.34	2.74	6.68	2.78	6.85	2.81	7.36	2.86	7.71	2.91
	40	6.20	2.62	6.54	2.65	6.89	2.70	7.06	2.72	7.57	2.78	7.91	2.82
	35	6.54	2.45	6.89	2.49	7.23	2.53	7.40	2.55	7.91	2.61	8.25	2.65
	32	6.75	2.38	7.10	2.41	7.44	2.47	7.61	2.48	8.12	2.54	8.46	2.57
	25	7.24	2.17	7.58	2.20	7.92	2.26	8.09	2.26	8.60	2.34	8.95	2.36
	22	7.44	2.08	7.79	2.11	8.13	2.17	8.30	2.17	8.80	2.25	9.15	2.27
22 + 22	46	6.26	2.82	6.63	2.86	7.00	2.89	7.18	2.92	7.74	2.98	8.11	3.02
	43	6.48	2.73	6.85	2.76	7.22	2.81	7.41	2.83	7.96	2.89	8.33	2.93
	40	6.71	2.64	7.08	2.67	7.44	2.72	7.63	2.74	8.18	2.80	8.55	2.84
	35	7.08	2.47	7.44	2.51	7.81	2.55	8.00	2.57	8.55	2.63	8.92	2.67
	32	7.30	2.40	7.67	2.43	8.04	2.48	8.23	2.49	8.77	2.56	9.15	2.59
	25	7.82	2.19	8.19	2.22	8.56	2.28	8.75	2.28	9.29	2.36	9.67	2.38
	22	8.05	2.10	8.42	2.12	8.79	2.19	8.97	2.19	9.52	2.27	9.89	2.29
24 + 22	46	6.26	2.82	6.63	2.86	7.00	2.89	7.18	2.92	7.74	2.98	8.11	3.02
	43	6.48	2.73	6.85	2.76	7.22	2.81	7.41	2.83	7.96	2.89	8.33	2.93
	40	6.71	2.64	7.08	2.67	7.44	2.72	7.63	2.74	8.18	2.80	8.55	2.84
	35	7.08	2.47	7.44	2.51	7.81	2.55	8.00	2.57	8.55	2.63	8.92	2.67
	32	7.30	2.40	7.67	2.43	8.04	2.48	8.23	2.49	8.77	2.56	9.15	2.59
	25	7.82	2.19	8.19	2.22	8.56	2.28	8.75	2.28	9.29	2.36	9.67	2.38
	22	8.05	2.10	8.42	2.12	8.79	2.19	8.97	2.19	9.52	2.27	9.89	2.29
24 + 24	46	6.34	2.85	6.71	2.89	7.09	2.93	7.27	2.95	7.83	3.01	8.21	3.06
	43	6.56	2.76	6.94	2.80	7.31	2.84	7.50	2.86	8.06	2.92	8.43	2.96
	40	6.79	2.67	7.16	2.70	7.54	2.75	7.73	2.77	8.28	2.83	8.66	2.87
	35	7.16	2.50	7.54	2.54	7.91	2.58	8.10	2.60	8.66	2.66	9.03	2.70
	32	7.39	2.43	7.77	2.46	8.14	2.51	8.33	2.52	8.88	2.59	9.26	2.62
	25	7.92	2.22	8.30	2.24	8.67	2.31	8.86	2.31	9.41	2.39	9.79	2.41
	22	8.15	2.13	8.52	2.15	8.90	2.22	9.08	2.22	9.64	2.30	10.02	2.32

Cooling

5 - rooms multisplit : 3 - unit operation

Indoor units : 05 type + 05 type + 05 type
 07 type + 05 type + 05 type
 10 type + 05 type + 05 type
 13 type + 05 type + 05 type

16 type + 05 type + 05 type
 18 type + 05 type + 05 type
 22 type + 05 type + 05 type
 24 type + 05 type + 05 type

Outdoor unit : RAS-5M34U2AVG-E

TC : Total capacity [kW]

PI : Power input [kW]

Combination (Capacity)	Outdoor air temp. [°C DB]	Indoor air temp. [°C WB]											
		14		16		18		19		22		24	
		TC [kW]	PI [kW]	TC [kW]	PI [kW]	TC [kW]	PI [kW]	TC [kW]	PI [kW]	TC [kW]	PI [kW]	TC [kW]	PI [kW]
05 + 05 + 05	46	3.52	1.35	3.73	1.37	3.94	1.39	4.04	1.40	4.35	1.42	4.56	1.45
	43	3.65	1.30	3.85	1.32	4.06	1.34	4.17	1.35	4.48	1.38	4.69	1.40
	40	3.77	1.26	3.98	1.28	4.19	1.30	4.29	1.31	4.60	1.34	4.81	1.36
	35	3.98	1.18	4.19	1.20	4.40	1.22	4.50	1.23	4.81	1.26	5.02	1.28
	32	4.11	1.15	4.32	1.16	4.52	1.19	4.63	1.19	4.94	1.23	5.15	1.24
	25	4.40	1.05	4.61	1.06	4.82	1.09	4.92	1.09	5.23	1.13	5.44	1.14
	22	4.53	1.01	4.73	1.02	4.94	1.05	5.05	1.05	5.35	1.09	5.57	1.10
07 + 05 + 05	46	3.91	1.53	4.14	1.56	4.37	1.58	4.49	1.59	4.83	1.62	5.07	1.65
	43	4.05	1.49	4.28	1.51	4.51	1.53	4.63	1.54	4.97	1.57	5.21	1.60
	40	4.19	1.44	4.42	1.46	4.65	1.48	4.77	1.49	5.11	1.52	5.35	1.55
	35	4.42	1.34	4.65	1.37	4.88	1.39	5.00	1.40	5.35	1.43	5.58	1.45
	32	4.56	1.31	4.79	1.32	5.03	1.35	5.14	1.36	5.48	1.40	5.72	1.41
	25	4.89	1.19	5.12	1.21	5.35	1.24	5.47	1.24	5.81	1.29	6.04	1.30
	22	5.03	1.14	5.26	1.16	5.49	1.19	5.61	1.19	5.95	1.24	6.18	1.25
10 + 05 + 05	46	4.46	1.75	4.72	1.78	4.99	1.80	5.12	1.82	5.51	1.85	5.78	1.88
	43	4.62	1.70	4.88	1.72	5.15	1.75	5.28	1.76	5.67	1.80	5.94	1.82
	40	4.78	1.64	5.04	1.66	5.30	1.69	5.44	1.70	5.83	1.74	6.09	1.77
	35	5.04	1.54	5.30	1.56	5.57	1.59	5.70	1.60	6.09	1.64	6.36	1.66
	32	5.20	1.49	5.47	1.51	5.73	1.55	5.86	1.55	6.25	1.60	6.52	1.62
	25	5.57	1.36	5.84	1.38	6.10	1.42	6.23	1.42	6.62	1.47	6.89	1.48
	22	5.73	1.31	6.00	1.32	6.26	1.36	6.39	1.36	6.78	1.41	7.05	1.43
13 + 05 + 05	46	5.24	2.19	5.55	2.22	5.86	2.25	6.02	2.27	6.48	2.32	6.79	2.35
	43	5.43	2.12	5.74	2.15	6.05	2.18	6.20	2.20	6.66	2.25	6.98	2.28
	40	5.62	2.05	5.93	2.08	6.24	2.12	6.39	2.13	6.85	2.18	7.16	2.21
	35	5.93	1.92	6.23	1.95	6.54	1.98	6.70	2.00	7.16	2.05	7.47	2.08
	32	6.12	1.87	6.43	1.89	6.73	1.93	6.89	1.94	7.35	2.00	7.66	2.02
	25	6.55	1.70	6.86	1.72	7.17	1.77	7.33	1.78	7.78	1.84	8.10	1.85
	22	6.74	1.63	7.05	1.65	7.36	1.71	7.51	1.70	7.97	1.77	8.29	1.78
16 + 05 + 05	46	5.87	2.30	6.21	2.33	6.56	2.37	6.74	2.39	7.25	2.43	7.60	2.47
	43	6.08	2.23	6.42	2.26	6.77	2.29	6.94	2.31	7.46	2.36	7.81	2.39
	40	6.29	2.15	6.63	2.18	6.98	2.22	7.15	2.24	7.67	2.29	8.02	2.32
	35	6.63	2.02	6.98	2.05	7.33	2.08	7.50	2.10	8.02	2.15	8.36	2.18
	32	6.85	1.96	7.19	1.99	7.54	2.03	7.71	2.04	8.23	2.10	8.58	2.12
	25	7.33	1.79	7.68	1.81	8.03	1.86	8.20	1.86	8.71	1.93	9.07	1.95
	22	7.54	1.72	7.89	1.74	8.24	1.79	8.41	1.79	8.92	1.86	9.28	1.87
18 + 05 + 05	46	6.10	2.65	6.46	2.69	6.82	2.73	7.00	2.75	7.54	2.80	7.90	2.84
	43	6.32	2.57	6.68	2.60	7.04	2.64	7.22	2.66	7.76	2.72	8.12	2.76
	40	6.54	2.48	6.90	2.52	7.26	2.56	7.44	2.58	7.98	2.64	8.34	2.67
	35	6.90	2.32	7.26	2.36	7.62	2.40	7.80	2.42	8.34	2.48	8.70	2.51
	32	7.12	2.26	7.48	2.29	7.84	2.34	8.02	2.35	8.56	2.42	8.92	2.44
	25	7.63	2.06	7.99	2.09	8.35	2.15	8.53	2.15	9.06	2.22	9.43	2.24
	22	7.85	1.98	8.21	2.00	8.57	2.06	8.75	2.06	9.28	2.14	9.65	2.16
22 + 05 + 05	46	6.10	2.65	6.46	2.69	6.82	2.73	7.00	2.75	7.54	2.80	7.90	2.84
	43	6.32	2.57	6.68	2.60	7.04	2.64	7.22	2.66	7.76	2.72	8.12	2.76
	40	6.54	2.48	6.90	2.52	7.26	2.56	7.44	2.58	7.98	2.64	8.34	2.67
	35	6.90	2.32	7.26	2.36	7.62	2.40	7.80	2.42	8.34	2.48	8.70	2.51
	32	7.12	2.26	7.48	2.29	7.84	2.34	8.02	2.35	8.56	2.42	8.92	2.44
	25	7.63	2.06	7.99	2.09	8.35	2.15	8.53	2.15	9.06	2.22	9.43	2.24
	22	7.85	1.98	8.21	2.00	8.57	2.06	8.75	2.06	9.28	2.14	9.65	2.16
24 + 05 + 05	46	6.26	2.68	6.63	2.72	7.00	2.76	7.18	2.78	7.74	2.84	8.11	2.88
	43	6.48	2.60	6.85	2.64	7.22	2.68	7.41	2.70	7.96	2.75	8.33	2.79
	40	6.71	2.51	7.08	2.55	7.44	2.59	7.63	2.61	8.18	2.67	8.55	2.71
	35	7.08	2.35	7.44	2.39	7.81	2.43	8.00	2.45	8.55	2.51	8.92	2.54
	32	7.30	2.29	7.67	2.32	8.04	2.37	8.23	2.38	8.77	2.45	9.15	2.47
	25	7.82	2.09	8.19	2.11	8.56	2.17	8.75	2.18	9.29	2.25	9.67	2.27
	22	8.05	2.00	8.42	2.03	8.79	2.09	8.97	2.09	9.52	2.17	9.89	2.18

Cooling

5 - rooms multisplit : 3 - unit operation

Indoor units : 07 type + 07 type + 05 type 18 type + 07 type + 05 type
 10 type + 07 type + 05 type 22 type + 07 type + 05 type
 13 type + 07 type + 05 type 24 type + 07 type + 05 type
 16 type + 07 type + 05 type 10 type + 10 type + 05 type

TC : Total capacity [kW]
 PI : Power input [kW]

Outdoor unit : RAS-5M34U2AVG-E

Combination (Capacity)	Outdoor air temp. [°C DB]	Indoor air temp. [°C WB]											
		14		16		18		19		22		24	
		TC [kW]	PI [kW]	TC [kW]	PI [kW]	TC [kW]	PI [kW]	TC [kW]	PI [kW]	TC [kW]	PI [kW]	TC [kW]	PI [kW]
07 + 07 + 05	46	4.30	1.92	4.56	1.94	4.81	1.97	4.94	1.99	5.32	2.03	5.57	2.06
	43	4.46	1.86	4.71	1.88	4.96	1.91	5.09	1.93	5.47	1.97	5.73	1.99
	40	4.61	1.80	4.86	1.82	5.12	1.85	5.25	1.86	5.62	1.91	5.88	1.93
	35	4.86	1.68	5.12	1.71	5.37	1.74	5.50	1.75	5.88	1.79	6.13	1.82
	32	5.02	1.63	5.27	1.65	5.53	1.69	5.66	1.70	6.03	1.75	6.29	1.77
	25	5.38	1.49	5.63	1.51	5.89	1.55	6.01	1.55	6.39	1.61	6.65	1.62
	22	5.53	1.43	5.79	1.45	6.04	1.49	6.17	1.49	6.54	1.55	6.80	1.56
10 + 07 + 05	46	4.85	2.41	5.14	2.44	5.42	2.48	5.57	2.50	5.99	2.55	6.28	2.59
	43	5.02	2.33	5.31	2.37	5.60	2.40	5.74	2.42	6.17	2.47	6.46	2.51
	40	5.20	2.26	5.48	2.29	5.77	2.33	5.91	2.34	6.34	2.40	6.63	2.43
	35	5.48	2.11	5.77	2.15	6.06	2.18	6.20	2.20	6.63	2.25	6.92	2.29
	32	5.66	2.05	5.95	2.08	6.23	2.13	6.38	2.14	6.80	2.20	7.09	2.22
	25	6.06	1.87	6.35	1.90	6.64	1.95	6.78	1.95	7.20	2.02	7.50	2.04
	22	6.24	1.80	6.52	1.82	6.81	1.88	6.95	1.88	7.38	1.94	7.67	1.96
13 + 07 + 05	46	5.63	2.30	5.97	2.33	6.30	2.37	6.47	2.39	6.96	2.43	7.30	2.47
	43	5.83	2.23	6.17	2.26	6.50	2.29	6.67	2.31	7.16	2.36	7.50	2.39
	40	6.04	2.15	6.37	2.18	6.70	2.22	6.87	2.24	7.36	2.29	7.70	2.32
	35	6.37	2.02	6.70	2.05	7.03	2.08	7.20	2.10	7.70	2.15	8.03	2.18
	32	6.57	1.96	6.90	1.99	7.24	2.03	7.40	2.04	7.90	2.10	8.23	2.12
	25	7.04	1.79	7.37	1.81	7.71	1.86	7.87	1.86	8.36	1.93	8.70	1.95
	22	7.24	1.72	7.58	1.74	7.91	1.79	8.07	1.79	8.56	1.86	8.91	1.87
16 + 07 + 05	46	6.10	2.63	6.46	2.67	6.82	2.70	7.00	2.73	7.54	2.78	7.90	2.82
	43	6.32	2.55	6.68	2.58	7.04	2.62	7.22	2.64	7.76	2.70	8.12	2.74
	40	6.54	2.46	6.90	2.50	7.26	2.54	7.44	2.56	7.98	2.61	8.34	2.65
	35	6.90	2.31	7.26	2.34	7.62	2.38	7.80	2.40	8.34	2.46	8.70	2.49
	32	7.12	2.24	7.48	2.27	7.84	2.32	8.02	2.33	8.56	2.40	8.92	2.42
	25	7.63	2.05	7.99	2.07	8.35	2.13	8.53	2.13	9.06	2.20	9.43	2.22
	22	7.85	1.96	8.21	1.98	8.57	2.05	8.75	2.05	9.28	2.12	9.65	2.14
18 + 07 + 05	46	6.10	2.65	6.46	2.69	6.82	2.73	7.00	2.75	7.54	2.80	7.90	2.84
	43	6.32	2.57	6.68	2.60	7.04	2.64	7.22	2.66	7.76	2.72	8.12	2.76
	40	6.54	2.48	6.90	2.52	7.26	2.56	7.44	2.58	7.98	2.64	8.34	2.67
	35	6.90	2.32	7.26	2.36	7.62	2.40	7.80	2.42	8.34	2.48	8.70	2.51
	32	7.12	2.26	7.48	2.29	7.84	2.34	8.02	2.35	8.56	2.42	8.92	2.44
	25	7.63	2.06	7.99	2.09	8.35	2.15	8.53	2.15	9.06	2.22	9.43	2.24
	22	7.85	1.98	8.21	2.00	8.57	2.06	8.75	2.06	9.28	2.14	9.65	2.16
22 + 07 + 05	46	6.10	2.65	6.46	2.69	6.82	2.73	7.00	2.75	7.54	2.80	7.90	2.84
	43	6.32	2.57	6.68	2.60	7.04	2.64	7.22	2.66	7.76	2.72	8.12	2.76
	40	6.54	2.48	6.90	2.52	7.26	2.56	7.44	2.58	7.98	2.64	8.34	2.67
	35	6.90	2.32	7.26	2.36	7.62	2.40	7.80	2.42	8.34	2.48	8.70	2.51
	32	7.12	2.26	7.48	2.29	7.84	2.34	8.02	2.35	8.56	2.42	8.92	2.44
	25	7.63	2.06	7.99	2.09	8.35	2.15	8.53	2.15	9.06	2.22	9.43	2.24
	22	7.85	1.98	8.21	2.00	8.57	2.06	8.75	2.06	9.28	2.14	9.65	2.16
24 + 07 + 05	46	6.18	2.65	6.55	2.69	6.91	2.73	7.09	2.75	7.64	2.80	8.01	2.84
	43	6.40	2.57	6.77	2.60	7.13	2.64	7.31	2.66	7.86	2.72	8.23	2.76
	40	6.62	2.48	6.99	2.52	7.35	2.56	7.54	2.58	8.08	2.64	8.45	2.67
	35	6.99	2.32	7.35	2.36	7.72	2.40	7.90	2.42	8.45	2.48	8.81	2.51
	32	7.21	2.26	7.58	2.29	7.94	2.34	8.12	2.35	8.66	2.42	9.04	2.44
	25	7.73	2.06	8.09	2.09	8.46	2.15	8.64	2.15	9.18	2.22	9.55	2.24
	22	7.95	1.98	8.31	2.00	8.68	2.06	8.86	2.06	9.40	2.14	9.77	2.16
10 + 10 + 05	46	5.40	2.52	5.72	2.56	6.04	2.59	6.20	2.61	6.67	2.66	6.99	2.70
	43	5.59	2.44	5.91	2.47	6.23	2.51	6.39	2.53	6.86	2.58	7.18	2.62
	40	5.78	2.36	6.10	2.39	6.42	2.43	6.58	2.45	7.06	2.51	7.38	2.54
	35	6.10	2.21	6.42	2.25	6.74	2.28	6.90	2.30	7.38	2.35	7.70	2.39
	32	6.30	2.15	6.62	2.17	6.94	2.22	7.10	2.23	7.57	2.30	7.89	2.32
	25	6.75	1.96	7.07	1.98	7.39	2.04	7.55	2.04	8.02	2.11	8.34	2.13
	22	6.94	1.88	7.26	1.90	7.58	1.96	7.74	1.96	8.21	2.03	8.53	2.05

Cooling

5 - rooms multisplit : 3 - unit operation

Indoor units : 13 type + 10 type + 05 type 24 type + 10 type + 05 type
 16 type + 10 type + 05 type 13 type + 13 type + 05 type
 18 type + 10 type + 05 type 16 type + 13 type + 05 type
 22 type + 10 type + 05 type 18 type + 13 type + 05 type

TC : Total capacity [kW]
 PI : Power input [kW]

Outdoor unit : RAS-5M34U2AVG-E

Combination (Capacity)	Outdoor air temp. [°C DB]	Indoor air temp. [°C WB]											
		14		16		18		19		22		24	
		TC [kW]	PI [kW]	TC [kW]	PI [kW]	TC [kW]	PI [kW]	TC [kW]	PI [kW]	TC [kW]	PI [kW]	TC [kW]	PI [kW]
13 + 10 + 05	46	6.10	2.65	6.46	2.69	6.82	2.73	7.00	2.75	7.54	2.80	7.90	2.84
	43	6.32	2.57	6.68	2.60	7.04	2.64	7.22	2.66	7.76	2.72	8.12	2.76
	40	6.54	2.48	6.90	2.52	7.26	2.56	7.44	2.58	7.98	2.64	8.34	2.67
	35	6.90	2.32	7.26	2.36	7.62	2.40	7.80	2.42	8.34	2.48	8.70	2.51
	32	7.12	2.26	7.48	2.29	7.84	2.34	8.02	2.35	8.56	2.42	8.92	2.44
	25	7.63	2.06	7.99	2.09	8.35	2.15	8.53	2.15	9.06	2.22	9.43	2.24
	22	7.85	1.98	8.21	2.00	8.57	2.06	8.75	2.06	9.28	2.14	9.65	2.16
16 + 10 + 05	46	6.10	2.65	6.46	2.69	6.82	2.73	7.00	2.75	7.54	2.80	7.90	2.84
	43	6.32	2.57	6.68	2.60	7.04	2.64	7.22	2.66	7.76	2.72	8.12	2.76
	40	6.54	2.48	6.90	2.52	7.26	2.56	7.44	2.58	7.98	2.64	8.34	2.67
	35	6.90	2.32	7.26	2.36	7.62	2.40	7.80	2.42	8.34	2.48	8.70	2.51
	32	7.12	2.26	7.48	2.29	7.84	2.34	8.02	2.35	8.56	2.42	8.92	2.44
	25	7.63	2.06	7.99	2.09	8.35	2.15	8.53	2.15	9.06	2.22	9.43	2.24
	22	7.85	1.98	8.21	2.00	8.57	2.06	8.75	2.06	9.28	2.14	9.65	2.16
18 + 10 + 05	46	6.10	2.65	6.46	2.69	6.82	2.73	7.00	2.75	7.54	2.80	7.90	2.84
	43	6.32	2.57	6.68	2.60	7.04	2.64	7.22	2.66	7.76	2.72	8.12	2.76
	40	6.54	2.48	6.90	2.52	7.26	2.56	7.44	2.58	7.98	2.64	8.34	2.67
	35	6.90	2.32	7.26	2.36	7.62	2.40	7.80	2.42	8.34	2.48	8.70	2.51
	32	7.12	2.26	7.48	2.29	7.84	2.34	8.02	2.35	8.56	2.42	8.92	2.44
	25	7.63	2.06	7.99	2.09	8.35	2.15	8.53	2.15	9.06	2.22	9.43	2.24
	22	7.85	1.98	8.21	2.00	8.57	2.06	8.75	2.06	9.28	2.14	9.65	2.16
22 + 10 + 05	46	6.26	2.68	6.63	2.72	7.00	2.76	7.18	2.78	7.74	2.84	8.11	2.88
	43	6.48	2.60	6.85	2.64	7.22	2.68	7.41	2.70	7.96	2.75	8.33	2.79
	40	6.71	2.51	7.08	2.55	7.44	2.59	7.63	2.61	8.18	2.67	8.55	2.71
	35	7.08	2.35	7.44	2.39	7.81	2.43	8.00	2.45	8.55	2.51	8.92	2.54
	32	7.30	2.29	7.67	2.32	8.04	2.37	8.23	2.38	8.77	2.45	9.15	2.47
	25	7.82	2.09	8.19	2.11	8.56	2.17	8.75	2.18	9.29	2.25	9.67	2.27
	22	8.05	2.00	8.42	2.03	8.79	2.09	8.97	2.09	9.52	2.17	9.89	2.18
24 + 10 + 05	46	6.26	2.68	6.63	2.72	7.00	2.76	7.18	2.78	7.74	2.84	8.11	2.88
	43	6.48	2.60	6.85	2.64	7.22	2.68	7.41	2.70	7.96	2.75	8.33	2.79
	40	6.71	2.51	7.08	2.55	7.44	2.59	7.63	2.61	8.18	2.67	8.55	2.71
	35	7.08	2.35	7.44	2.39	7.81	2.43	8.00	2.45	8.55	2.51	8.92	2.54
	32	7.30	2.29	7.67	2.32	8.04	2.37	8.23	2.38	8.77	2.45	9.15	2.47
	25	7.82	2.09	8.19	2.11	8.56	2.17	8.75	2.18	9.29	2.25	9.67	2.27
	22	8.05	2.00	8.42	2.03	8.79	2.09	8.97	2.09	9.52	2.17	9.89	2.18
13 + 13 + 05	46	6.10	2.65	6.46	2.69	6.82	2.73	7.00	2.75	7.54	2.80	7.90	2.84
	43	6.32	2.57	6.68	2.60	7.04	2.64	7.22	2.66	7.76	2.72	8.12	2.76
	40	6.54	2.48	6.90	2.52	7.26	2.56	7.44	2.58	7.98	2.64	8.34	2.67
	35	6.90	2.32	7.26	2.36	7.62	2.40	7.80	2.42	8.34	2.48	8.70	2.51
	32	7.12	2.26	7.48	2.29	7.84	2.34	8.02	2.35	8.56	2.42	8.92	2.44
	25	7.63	2.06	7.99	2.09	8.35	2.15	8.53	2.15	9.06	2.22	9.43	2.24
	22	7.85	1.98	8.21	2.00	8.57	2.06	8.75	2.06	9.28	2.14	9.65	2.16
16 + 13 + 05	46	6.26	2.68	6.63	2.72	7.00	2.76	7.18	2.78	7.74	2.84	8.11	2.88
	43	6.48	2.60	6.85	2.64	7.22	2.68	7.41	2.70	7.96	2.75	8.33	2.79
	40	6.71	2.51	7.08	2.55	7.44	2.59	7.63	2.61	8.18	2.67	8.55	2.71
	35	7.08	2.35	7.44	2.39	7.81	2.43	8.00	2.45	8.55	2.51	8.92	2.54
	32	7.30	2.29	7.67	2.32	8.04	2.37	8.23	2.38	8.77	2.45	9.15	2.47
	25	7.82	2.09	8.19	2.11	8.56	2.17	8.75	2.18	9.29	2.25	9.67	2.27
	22	8.05	2.00	8.42	2.03	8.79	2.09	8.97	2.09	9.52	2.17	9.89	2.18
18 + 13 + 05	46	6.26	2.68	6.63	2.72	7.00	2.76	7.18	2.78	7.74	2.84	8.11	2.88
	43	6.48	2.60	6.85	2.64	7.22	2.68	7.41	2.70	7.96	2.75	8.33	2.79
	40	6.71	2.51	7.08	2.55	7.44	2.59	7.63	2.61	8.18	2.67	8.55	2.71
	35	7.08	2.35	7.44	2.39	7.81	2.43	8.00	2.45	8.55	2.51	8.92	2.54
	32	7.30	2.29	7.67	2.32	8.04	2.37	8.23	2.38	8.77	2.45	9.15	2.47
	25	7.82	2.09	8.19	2.11	8.56	2.17	8.75	2.18	9.29	2.25	9.67	2.27
	22	8.05	2.00	8.42	2.03	8.79	2.09	8.97	2.09	9.52	2.17	9.89	2.18

Cooling

5 - rooms multisplit : 3 - unit operation

Indoor units : 22 type + 13 type + 05 type 22 type + 16 type + 05 type
 24 type + 13 type + 05 type 24 type + 16 type + 05 type
 16 type + 16 type + 05 type 18 type + 18 type + 05 type
 18 type + 16 type + 05 type 22 type + 18 type + 05 type

TC : Total capacity [kW]
 PI : Power input [kW]

Outdoor unit : RAS-5M34U2AVG-E

Combination (Capacity)	Outdoor air temp. [°C DB]	Indoor air temp. [°C WB]											
		14		16		18		19		22		24	
		TC [kW]	PI [kW]	TC [kW]	PI [kW]	TC [kW]	PI [kW]	TC [kW]	PI [kW]	TC [kW]	PI [kW]	TC [kW]	PI [kW]
22 + 13 + 05	46	6.26	2.68	6.63	2.72	7.00	2.76	7.18	2.78	7.74	2.84	8.11	2.88
	43	6.48	2.60	6.85	2.64	7.22	2.68	7.41	2.70	7.96	2.75	8.33	2.79
	40	6.71	2.51	7.08	2.55	7.44	2.59	7.63	2.61	8.18	2.67	8.55	2.71
	35	7.08	2.35	7.44	2.39	7.81	2.43	8.00	2.45	8.55	2.51	8.92	2.54
	32	7.30	2.29	7.67	2.32	8.04	2.37	8.23	2.38	8.77	2.45	9.15	2.47
	25	7.82	2.09	8.19	2.11	8.56	2.17	8.75	2.18	9.29	2.25	9.67	2.27
	22	8.05	2.00	8.42	2.03	8.79	2.09	8.97	2.09	9.52	2.17	9.89	2.18
24 + 13 + 05	46	6.26	2.68	6.63	2.72	7.00	2.76	7.18	2.78	7.74	2.84	8.11	2.88
	43	6.48	2.60	6.85	2.64	7.22	2.68	7.41	2.70	7.96	2.75	8.33	2.79
	40	6.71	2.51	7.08	2.55	7.44	2.59	7.63	2.61	8.18	2.67	8.55	2.71
	35	7.08	2.35	7.44	2.39	7.81	2.43	8.00	2.45	8.55	2.51	8.92	2.54
	32	7.30	2.29	7.67	2.32	8.04	2.37	8.23	2.38	8.77	2.45	9.15	2.47
	25	7.82	2.09	8.19	2.11	8.56	2.17	8.75	2.18	9.29	2.25	9.67	2.27
	22	8.05	2.00	8.42	2.03	8.79	2.09	8.97	2.09	9.52	2.17	9.89	2.18
16 + 16 + 05	46	6.26	2.68	6.63	2.72	7.00	2.76	7.18	2.78	7.74	2.84	8.11	2.88
	43	6.48	2.60	6.85	2.64	7.22	2.68	7.41	2.70	7.96	2.75	8.33	2.79
	40	6.71	2.51	7.08	2.55	7.44	2.59	7.63	2.61	8.18	2.67	8.55	2.71
	35	7.08	2.35	7.44	2.39	7.81	2.43	8.00	2.45	8.55	2.51	8.92	2.54
	32	7.30	2.29	7.67	2.32	8.04	2.37	8.23	2.38	8.77	2.45	9.15	2.47
	25	7.82	2.09	8.19	2.11	8.56	2.17	8.75	2.18	9.29	2.25	9.67	2.27
	22	8.05	2.00	8.42	2.03	8.79	2.09	8.97	2.09	9.52	2.17	9.89	2.18
18 + 16 + 05	46	6.26	2.68	6.63	2.72	7.00	2.76	7.18	2.78	7.74	2.84	8.11	2.88
	43	6.48	2.60	6.85	2.64	7.22	2.68	7.41	2.70	7.96	2.75	8.33	2.79
	40	6.71	2.51	7.08	2.55	7.44	2.59	7.63	2.61	8.18	2.67	8.55	2.71
	35	7.08	2.35	7.44	2.39	7.81	2.43	8.00	2.45	8.55	2.51	8.92	2.54
	32	7.30	2.29	7.67	2.32	8.04	2.37	8.23	2.38	8.77	2.45	9.15	2.47
	25	7.82	2.09	8.19	2.11	8.56	2.17	8.75	2.18	9.29	2.25	9.67	2.27
	22	8.05	2.00	8.42	2.03	8.79	2.09	8.97	2.09	9.52	2.17	9.89	2.18
22 + 16 + 05	46	6.26	2.68	6.63	2.72	7.00	2.76	7.18	2.78	7.74	2.84	8.11	2.88
	43	6.48	2.60	6.85	2.64	7.22	2.68	7.41	2.70	7.96	2.75	8.33	2.79
	40	6.71	2.51	7.08	2.55	7.44	2.59	7.63	2.61	8.18	2.67	8.55	2.71
	35	7.08	2.35	7.44	2.39	7.81	2.43	8.00	2.45	8.55	2.51	8.92	2.54
	32	7.30	2.29	7.67	2.32	8.04	2.37	8.23	2.38	8.77	2.45	9.15	2.47
	25	7.82	2.09	8.19	2.11	8.56	2.17	8.75	2.18	9.29	2.25	9.67	2.27
	22	8.05	2.00	8.42	2.03	8.79	2.09	8.97	2.09	9.52	2.17	9.89	2.18
24 + 16 + 05	46	6.26	2.68	6.63	2.72	7.00	2.76	7.18	2.78	7.74	2.84	8.11	2.88
	43	6.48	2.60	6.85	2.64	7.22	2.68	7.41	2.70	7.96	2.75	8.33	2.79
	40	6.71	2.51	7.08	2.55	7.44	2.59	7.63	2.61	8.18	2.67	8.55	2.71
	35	7.08	2.35	7.44	2.39	7.81	2.43	8.00	2.45	8.55	2.51	8.92	2.54
	32	7.30	2.29	7.67	2.32	8.04	2.37	8.23	2.38	8.77	2.45	9.15	2.47
	25	7.82	2.09	8.19	2.11	8.56	2.17	8.75	2.18	9.29	2.25	9.67	2.27
	22	8.05	2.00	8.42	2.03	8.79	2.09	8.97	2.09	9.52	2.17	9.89	2.18
18 + 18 + 05	46	6.26	2.68	6.63	2.72	7.00	2.76	7.18	2.78	7.74	2.84	8.11	2.88
	43	6.48	2.60	6.85	2.64	7.22	2.68	7.41	2.70	7.96	2.75	8.33	2.79
	40	6.71	2.51	7.08	2.55	7.44	2.59	7.63	2.61	8.18	2.67	8.55	2.71
	35	7.08	2.35	7.44	2.39	7.81	2.43	8.00	2.45	8.55	2.51	8.92	2.54
	32	7.30	2.29	7.67	2.32	8.04	2.37	8.23	2.38	8.77	2.45	9.15	2.47
	25	7.82	2.09	8.19	2.11	8.56	2.17	8.75	2.18	9.29	2.25	9.67	2.27
	22	8.05	2.00	8.42	2.03	8.79	2.09	8.97	2.09	9.52	2.17	9.89	2.18
22 + 18 + 05	46	6.26	2.68	6.63	2.72	7.00	2.76	7.18	2.78	7.74	2.84	8.11	2.88
	43	6.48	2.60	6.85	2.64	7.22	2.68	7.41	2.70	7.96	2.75	8.33	2.79
	40	6.71	2.51	7.08	2.55	7.44	2.59	7.63	2.61	8.18	2.67	8.55	2.71
	35	7.08	2.35	7.44	2.39	7.81	2.43	8.00	2.45	8.55	2.51	8.92	2.54
	32	7.30	2.29	7.67	2.32	8.04	2.37	8.23	2.38	8.77	2.45	9.15	2.47
	25	7.82	2.09	8.19	2.11	8.56	2.17	8.75	2.18	9.29	2.25	9.67	2.27
	22	8.05	2.00	8.42	2.03	8.79	2.09	8.97	2.09	9.52	2.17	9.89	2.18

Cooling

5 - rooms multisplit : 3 - unit operation

Indoor units : 24 type + 18 type + 05 type 07 type + 07 type + 07 type
 22 type + 22 type + 05 type 10 type + 07 type + 07 type
 24 type + 22 type + 05 type 13 type + 07 type + 07 type
 24 type + 24 type + 05 type 16 type + 07 type + 07 type

TC : Total capacity [kW]
 PI : Power input [kW]

Outdoor unit : RAS-5M34U2AVG-E

Combination (Capacity)	Outdoor air temp. [°C DB]	Indoor air temp. [°C WB]											
		14		16		18		19		22		24	
		TC [kW]	PI [kW]	TC [kW]	PI [kW]	TC [kW]	PI [kW]	TC [kW]	PI [kW]	TC [kW]	PI [kW]	TC [kW]	PI [kW]
24 + 18 + 05	46	6.26	2.68	6.63	2.72	7.00	2.76	7.18	2.78	7.74	2.84	8.11	2.88
	43	6.48	2.60	6.85	2.64	7.22	2.68	7.41	2.70	7.96	2.75	8.33	2.79
	40	6.71	2.51	7.08	2.55	7.44	2.59	7.63	2.61	8.18	2.67	8.55	2.71
	35	7.08	2.35	7.44	2.39	7.81	2.43	8.00	2.45	8.55	2.51	8.92	2.54
	32	7.30	2.29	7.67	2.32	8.04	2.37	8.23	2.38	8.77	2.45	9.15	2.47
	25	7.82	2.09	8.19	2.11	8.56	2.17	8.75	2.18	9.29	2.25	9.67	2.27
	22	8.05	2.00	8.42	2.03	8.79	2.09	8.97	2.09	9.52	2.17	9.89	2.18
22 + 22 + 05	46	6.26	2.68	6.63	2.72	7.00	2.76	7.18	2.78	7.74	2.84	8.11	2.88
	43	6.48	2.60	6.85	2.64	7.22	2.68	7.41	2.70	7.96	2.75	8.33	2.79
	40	6.71	2.51	7.08	2.55	7.44	2.59	7.63	2.61	8.18	2.67	8.55	2.71
	35	7.08	2.35	7.44	2.39	7.81	2.43	8.00	2.45	8.55	2.51	8.92	2.54
	32	7.30	2.29	7.67	2.32	8.04	2.37	8.23	2.38	8.77	2.45	9.15	2.47
	25	7.82	2.09	8.19	2.11	8.56	2.17	8.75	2.18	9.29	2.25	9.67	2.27
	22	8.05	2.00	8.42	2.03	8.79	2.09	8.97	2.09	9.52	2.17	9.89	2.18
24 + 22 + 05	46	6.26	2.68	6.63	2.72	7.00	2.76	7.18	2.78	7.74	2.84	8.11	2.88
	43	6.48	2.60	6.85	2.64	7.22	2.68	7.41	2.70	7.96	2.75	8.33	2.79
	40	6.71	2.51	7.08	2.55	7.44	2.59	7.63	2.61	8.18	2.67	8.55	2.71
	35	7.08	2.35	7.44	2.39	7.81	2.43	8.00	2.45	8.55	2.51	8.92	2.54
	32	7.30	2.29	7.67	2.32	8.04	2.37	8.23	2.38	8.77	2.45	9.15	2.47
	25	7.82	2.09	8.19	2.11	8.56	2.17	8.75	2.18	9.29	2.25	9.67	2.27
	22	8.05	2.00	8.42	2.03	8.79	2.09	8.97	2.09	9.52	2.17	9.89	2.18
24 + 24 + 05	46	6.26	2.68	6.63	2.72	7.00	2.76	7.18	2.78	7.74	2.84	8.11	2.88
	43	6.48	2.60	6.85	2.64	7.22	2.68	7.41	2.70	7.96	2.75	8.33	2.79
	40	6.71	2.51	7.08	2.55	7.44	2.59	7.63	2.61	8.18	2.67	8.55	2.71
	35	7.08	2.35	7.44	2.39	7.81	2.43	8.00	2.45	8.55	2.51	8.92	2.54
	32	7.30	2.29	7.67	2.32	8.04	2.37	8.23	2.38	8.77	2.45	9.15	2.47
	25	7.82	2.09	8.19	2.11	8.56	2.17	8.75	2.18	9.29	2.25	9.67	2.27
	22	8.05	2.00	8.42	2.03	8.79	2.09	8.97	2.09	9.52	2.17	9.89	2.18
07 + 07 + 07	46	4.69	2.30	4.97	2.33	5.25	2.37	5.39	2.39	5.80	2.43	6.08	2.47
	43	4.86	2.23	5.14	2.26	5.42	2.29	5.56	2.31	5.97	2.36	6.25	2.39
	40	5.03	2.15	5.31	2.18	5.58	2.22	5.72	2.24	6.14	2.29	6.42	2.32
	35	5.31	2.02	5.58	2.05	5.86	2.08	6.00	2.10	6.41	2.15	6.69	2.18
	32	5.48	1.96	5.75	1.99	6.03	2.03	6.17	2.04	6.58	2.10	6.86	2.12
	25	5.87	1.79	6.15	1.81	6.42	1.86	6.56	1.86	6.97	1.93	7.25	1.95
	22	6.04	1.72	6.31	1.74	6.59	1.79	6.73	1.79	7.14	1.86	7.42	1.87
10 + 07 + 07	46	5.24	2.63	5.55	2.67	5.86	2.70	6.02	2.73	6.48	2.78	6.79	2.82
	43	5.43	2.55	5.74	2.58	6.05	2.62	6.20	2.64	6.66	2.70	6.98	2.74
	40	5.62	2.46	5.93	2.50	6.24	2.54	6.39	2.56	6.85	2.61	7.16	2.65
	35	5.93	2.31	6.23	2.34	6.54	2.38	6.70	2.40	7.16	2.46	7.47	2.49
	32	6.12	2.24	6.43	2.27	6.73	2.32	6.89	2.33	7.35	2.40	7.66	2.42
	25	6.55	2.05	6.86	2.07	7.17	2.13	7.33	2.13	7.78	2.20	8.10	2.22
	22	6.74	1.96	7.05	1.98	7.36	2.05	7.51	2.05	7.97	2.12	8.29	2.14
13 + 07 + 07	46	5.95	2.64	6.30	2.68	6.65	2.71	6.82	2.74	7.35	2.79	7.70	2.83
	43	6.16	2.56	6.51	2.59	6.86	2.63	7.04	2.65	7.56	2.71	7.91	2.75
	40	6.37	2.47	6.72	2.51	7.07	2.55	7.25	2.57	7.77	2.62	8.13	2.66
	35	6.72	2.31	7.07	2.35	7.42	2.39	7.60	2.41	8.13	2.47	8.48	2.50
	32	6.94	2.25	7.29	2.28	7.64	2.33	7.82	2.34	8.34	2.41	8.69	2.43
	25	7.43	2.05	7.78	2.08	8.14	2.14	8.31	2.14	8.83	2.21	9.19	2.23
	22	7.64	1.97	8.00	1.99	8.35	2.06	8.52	2.05	9.04	2.13	9.40	2.15
16 + 07 + 07	46	6.02	2.64	6.38	2.68	6.74	2.71	6.91	2.74	7.45	2.79	7.80	2.83
	43	6.24	2.56	6.60	2.59	6.95	2.63	7.13	2.65	7.66	2.71	8.02	2.75
	40	6.45	2.47	6.81	2.51	7.17	2.55	7.34	2.57	7.87	2.62	8.23	2.66
	35	6.81	2.31	7.17	2.35	7.52	2.39	7.70	2.41	8.23	2.47	8.59	2.50
	32	7.03	2.25	7.38	2.28	7.74	2.33	7.92	2.34	8.45	2.41	8.81	2.43
	25	7.53	2.05	7.89	2.08	8.24	2.14	8.42	2.14	8.95	2.21	9.31	2.23
	22	7.75	1.97	8.10	1.99	8.46	2.06	8.64	2.05	9.16	2.13	9.52	2.15

Cooling

5 - rooms multisplit : 3 - unit operation

Indoor units : 24 type + 18 type + 05 type 07 type + 07 type + 07 type
 22 type + 22 type + 05 type 10 type + 07 type + 07 type
 24 type + 22 type + 05 type 13 type + 07 type + 07 type
 24 type + 24 type + 05 type 16 type + 07 type + 07 type

TC : Total capacity [kW]
 PI : Power input [kW]

Outdoor unit : RAS-5M34U2AVG-E

Combination (Capacity)	Outdoor air temp. [°C DB]	Indoor air temp. [°C WB]											
		14		16		18		19		22		24	
		TC [kW]	PI [kW]	TC [kW]	PI [kW]	TC [kW]	PI [kW]	TC [kW]	PI [kW]	TC [kW]	PI [kW]	TC [kW]	PI [kW]
24 + 18 + 05	46	6.26	2.68	6.63	2.72	7.00	2.76	7.18	2.78	7.74	2.84	8.11	2.88
	43	6.48	2.60	6.85	2.64	7.22	2.68	7.41	2.70	7.96	2.75	8.33	2.79
	40	6.71	2.51	7.08	2.55	7.44	2.59	7.63	2.61	8.18	2.67	8.55	2.71
	35	7.08	2.35	7.44	2.39	7.81	2.43	8.00	2.45	8.55	2.51	8.92	2.54
	32	7.30	2.29	7.67	2.32	8.04	2.37	8.23	2.38	8.77	2.45	9.15	2.47
	25	7.82	2.09	8.19	2.11	8.56	2.17	8.75	2.18	9.29	2.25	9.67	2.27
22 + 22 + 05	46	6.26	2.68	6.63	2.72	7.00	2.76	7.18	2.78	7.74	2.84	8.11	2.88
	43	6.48	2.60	6.85	2.64	7.22	2.68	7.41	2.70	7.96	2.75	8.33	2.79
	40	6.71	2.51	7.08	2.55	7.44	2.59	7.63	2.61	8.18	2.67	8.55	2.71
	35	7.08	2.35	7.44	2.39	7.81	2.43	8.00	2.45	8.55	2.51	8.92	2.54
	32	7.30	2.29	7.67	2.32	8.04	2.37	8.23	2.38	8.77	2.45	9.15	2.47
	25	7.82	2.09	8.19	2.11	8.56	2.17	8.75	2.18	9.29	2.25	9.67	2.27
24 + 22 + 05	46	6.26	2.68	6.63	2.72	7.00	2.76	7.18	2.78	7.74	2.84	8.11	2.88
	43	6.48	2.60	6.85	2.64	7.22	2.68	7.41	2.70	7.96	2.75	8.33	2.79
	40	6.71	2.51	7.08	2.55	7.44	2.59	7.63	2.61	8.18	2.67	8.55	2.71
	35	7.08	2.35	7.44	2.39	7.81	2.43	8.00	2.45	8.55	2.51	8.92	2.54
	32	7.30	2.29	7.67	2.32	8.04	2.37	8.23	2.38	8.77	2.45	9.15	2.47
	25	7.82	2.09	8.19	2.11	8.56	2.17	8.75	2.18	9.29	2.25	9.67	2.27
24 + 24 + 05	46	6.26	2.68	6.63	2.72	7.00	2.76	7.18	2.78	7.74	2.84	8.11	2.88
	43	6.48	2.60	6.85	2.64	7.22	2.68	7.41	2.70	7.96	2.75	8.33	2.79
	40	6.71	2.51	7.08	2.55	7.44	2.59	7.63	2.61	8.18	2.67	8.55	2.71
	35	7.08	2.35	7.44	2.39	7.81	2.43	8.00	2.45	8.55	2.51	8.92	2.54
	32	7.30	2.29	7.67	2.32	8.04	2.37	8.23	2.38	8.77	2.45	9.15	2.47
	25	7.82	2.09	8.19	2.11	8.56	2.17	8.75	2.18	9.29	2.25	9.67	2.27
07 + 07 + 07	46	4.69	2.30	4.97	2.33	5.25	2.37	5.39	2.39	5.80	2.43	6.08	2.47
	43	4.86	2.23	5.14	2.26	5.42	2.29	5.56	2.31	5.97	2.36	6.25	2.39
	40	5.03	2.15	5.31	2.18	5.58	2.22	5.72	2.24	6.14	2.29	6.42	2.32
	35	5.31	2.02	5.58	2.05	5.86	2.08	6.00	2.10	6.41	2.15	6.69	2.18
	32	5.48	1.96	5.75	1.99	6.03	2.03	6.17	2.04	6.58	2.10	6.86	2.12
	25	5.87	1.79	6.15	1.81	6.42	1.86	6.56	1.86	6.97	1.93	7.25	1.95
10 + 07 + 07	46	5.24	2.63	5.55	2.67	5.86	2.70	6.02	2.73	6.48	2.78	6.79	2.82
	43	5.43	2.55	5.74	2.58	6.05	2.62	6.20	2.64	6.66	2.70	6.98	2.74
	40	5.62	2.46	5.93	2.50	6.24	2.54	6.39	2.56	6.85	2.61	7.16	2.65
	35	5.93	2.31	6.23	2.34	6.54	2.38	6.70	2.40	7.16	2.46	7.47	2.49
	32	6.12	2.24	6.43	2.27	6.73	2.32	6.89	2.33	7.35	2.40	7.66	2.42
	25	6.55	2.05	6.86	2.07	7.17	2.13	7.33	2.13	7.78	2.20	8.10	2.22
13 + 07 + 07	46	5.95	2.64	6.30	2.68	6.65	2.71	6.82	2.74	7.35	2.79	7.70	2.83
	43	6.16	2.56	6.51	2.59	6.86	2.63	7.04	2.65	7.56	2.71	7.91	2.75
	40	6.37	2.47	6.72	2.51	7.07	2.55	7.25	2.57	7.77	2.62	8.13	2.66
	35	6.72	2.31	7.07	2.35	7.42	2.39	7.60	2.41	8.13	2.47	8.48	2.50
	32	6.94	2.25	7.29	2.28	7.64	2.33	7.82	2.34	8.34	2.41	8.69	2.43
	25	7.43	2.05	7.78	2.08	8.14	2.14	8.31	2.14	8.83	2.21	9.19	2.23
16 + 07 + 07	46	6.02	2.64	6.38	2.68	6.74	2.71	6.91	2.74	7.45	2.79	7.80	2.83
	43	6.24	2.56	6.60	2.59	6.95	2.63	7.13	2.65	7.66	2.71	8.02	2.75
	40	6.45	2.47	6.81	2.51	7.17	2.55	7.34	2.57	7.87	2.62	8.23	2.66
	35	6.81	2.31	7.17	2.35	7.52	2.39	7.70	2.41	8.23	2.47	8.59	2.50
	32	7.03	2.25	7.38	2.28	7.74	2.33	7.92	2.34	8.45	2.41	8.81	2.43
	25	7.53	2.05	7.89	2.08	8.24	2.14	8.42	2.14	8.95	2.21	9.31	2.23
	22	7.75	1.97	8.10	1.99	8.46	2.06	8.64	2.05	9.16	2.13	9.52	2.15

Cooling

5 - rooms multisplit : 3 - unit operation

Indoor units : 18 type + 07 type + 07 type
 22 type + 07 type + 07 type
 24 type + 07 type + 07 type
 10 type + 10 type + 07 type

13 type + 10 type + 07 type
 16 type + 10 type + 07 type
 18 type + 10 type + 07 type
 22 type + 10 type + 07 type

TC : Total capacity [kW]
 PI : Power input [kW]

Outdoor unit : RAS-5M34U2AVG-E

Combination (Capacity)	Outdoor air temp. [°C DB]	Indoor air temp. [°C WB]											
		14		16		18		19		22		24	
		TC [kW]	PI [kW]	TC [kW]	PI [kW]	TC [kW]	PI [kW]	TC [kW]	PI [kW]	TC [kW]	PI [kW]	TC [kW]	PI [kW]
18 + 07 + 07	46	6.02	2.64	6.38	2.68	6.74	2.71	6.91	2.74	7.45	2.79	7.80	2.83
	43	6.24	2.56	6.60	2.59	6.95	2.63	7.13	2.65	7.66	2.71	8.02	2.75
	40	6.45	2.47	6.81	2.51	7.17	2.55	7.34	2.57	7.87	2.62	8.23	2.66
	35	6.81	2.31	7.17	2.35	7.52	2.39	7.70	2.41	8.23	2.47	8.59	2.50
	32	7.03	2.25	7.38	2.28	7.74	2.33	7.92	2.34	8.45	2.41	8.81	2.43
	25	7.53	2.05	7.89	2.08	8.24	2.14	8.42	2.14	8.95	2.21	9.31	2.23
22 + 07 + 07	46	6.10	2.66	6.46	2.70	6.82	2.74	7.00	2.76	7.54	2.81	7.90	2.86
	43	6.32	2.58	6.68	2.61	7.04	2.65	7.22	2.68	7.76	2.73	8.12	2.77
	40	6.54	2.49	6.90	2.53	7.26	2.57	7.44	2.59	7.98	2.65	8.34	2.68
	35	6.90	2.33	7.26	2.37	7.62	2.41	7.80	2.43	8.34	2.49	8.70	2.52
	32	7.12	2.27	7.48	2.30	7.84	2.35	8.02	2.36	8.56	2.43	8.92	2.45
	25	7.63	2.07	7.99	2.10	8.35	2.16	8.53	2.16	9.06	2.23	9.43	2.25
24 + 07 + 07	46	6.10	2.66	6.46	2.70	6.82	2.74	7.00	2.76	7.54	2.81	7.90	2.86
	43	6.32	2.58	6.68	2.61	7.04	2.65	7.22	2.68	7.76	2.73	8.12	2.77
	40	6.54	2.49	6.90	2.53	7.26	2.57	7.44	2.59	7.98	2.65	8.34	2.68
	35	6.90	2.33	7.26	2.37	7.62	2.41	7.80	2.43	8.34	2.49	8.70	2.52
	32	7.12	2.27	7.48	2.30	7.84	2.35	8.02	2.36	8.56	2.43	8.92	2.45
	25	7.63	2.07	7.99	2.10	8.35	2.16	8.53	2.16	9.06	2.23	9.43	2.25
10 + 10 + 07	46	5.79	2.63	6.13	2.67	6.47	2.70	6.65	2.73	7.16	2.78	7.50	2.82
	43	6.00	2.55	6.34	2.58	6.68	2.62	6.85	2.64	7.36	2.70	7.71	2.74
	40	6.20	2.46	6.54	2.50	6.89	2.54	7.06	2.56	7.57	2.61	7.91	2.65
	35	6.54	2.31	6.89	2.34	7.23	2.38	7.40	2.40	7.91	2.46	8.25	2.49
	32	6.75	2.24	7.10	2.27	7.44	2.32	7.61	2.33	8.12	2.40	8.46	2.42
	25	7.24	2.05	7.58	2.07	7.92	2.13	8.09	2.13	8.60	2.20	8.95	2.22
13 + 10 + 07	46	6.02	2.64	6.38	2.68	6.74	2.71	6.91	2.74	7.45	2.79	7.80	2.83
	43	6.24	2.56	6.60	2.59	6.95	2.63	7.13	2.65	7.66	2.71	8.02	2.75
	40	6.45	2.47	6.81	2.51	7.17	2.55	7.34	2.57	7.87	2.62	8.23	2.66
	35	6.81	2.31	7.17	2.35	7.52	2.39	7.70	2.41	8.23	2.47	8.59	2.50
	32	7.03	2.25	7.38	2.28	7.74	2.33	7.92	2.34	8.45	2.41	8.81	2.43
	25	7.53	2.05	7.89	2.08	8.24	2.14	8.42	2.14	8.95	2.21	9.31	2.23
16 + 10 + 07	46	6.02	2.64	6.38	2.68	6.74	2.71	6.91	2.74	7.45	2.79	7.80	2.83
	43	6.24	2.56	6.60	2.59	6.95	2.63	7.13	2.65	7.66	2.71	8.02	2.75
	40	6.45	2.47	6.81	2.51	7.17	2.55	7.34	2.57	7.87	2.62	8.23	2.66
	35	6.81	2.31	7.17	2.35	7.52	2.39	7.70	2.41	8.23	2.47	8.59	2.50
	32	7.03	2.25	7.38	2.28	7.74	2.33	7.92	2.34	8.45	2.41	8.81	2.43
	25	7.53	2.05	7.89	2.08	8.24	2.14	8.42	2.14	8.95	2.21	9.31	2.23
18 + 10 + 07	46	6.02	2.64	6.38	2.68	6.74	2.71	6.91	2.74	7.45	2.79	7.80	2.83
	43	6.24	2.56	6.60	2.59	6.95	2.63	7.13	2.65	7.66	2.71	8.02	2.75
	40	6.45	2.47	6.81	2.51	7.17	2.55	7.34	2.57	7.87	2.62	8.23	2.66
	35	6.81	2.31	7.17	2.35	7.52	2.39	7.70	2.41	8.23	2.47	8.59	2.50
	32	7.03	2.25	7.38	2.28	7.74	2.33	7.92	2.34	8.45	2.41	8.81	2.43
	25	7.53	2.05	7.89	2.08	8.24	2.14	8.42	2.14	8.95	2.21	9.31	2.23
22 + 10 + 07	46	6.10	2.66	6.46	2.70	6.82	2.74	7.00	2.76	7.54	2.81	7.90	2.86
	43	6.32	2.58	6.68	2.61	7.04	2.65	7.22	2.68	7.76	2.73	8.12	2.77
	40	6.54	2.49	6.90	2.53	7.26	2.57	7.44	2.59	7.98	2.65	8.34	2.68
	35	6.90	2.33	7.26	2.37	7.62	2.41	7.80	2.43	8.34	2.49	8.70	2.52
	32	7.12	2.27	7.48	2.30	7.84	2.35	8.02	2.36	8.56	2.43	8.92	2.45
	25	7.63	2.07	7.99	2.10	8.35	2.16	8.53	2.16	9.06	2.23	9.43	2.25
22 + 10 + 07	46	6.10	2.66	6.46	2.70	6.82	2.74	7.00	2.76	7.54	2.81	7.90	2.86
	43	6.32	2.58	6.68	2.61	7.04	2.65	7.22	2.68	7.76	2.73	8.12	2.77
	40	6.54	2.49	6.90	2.53	7.26	2.57	7.44	2.59	7.98	2.65	8.34	2.68
	35	6.90	2.33	7.26	2.37	7.62	2.41	7.80	2.43	8.34	2.49	8.70	2.52
	32	7.12	2.27	7.48	2.30	7.84	2.35	8.02	2.36	8.56	2.43	8.92	2.45
	25	7.63	2.07	7.99	2.10	8.35	2.16	8.53	2.16	9.06	2.23	9.43	2.25
22 + 10 + 07	46	6.10	2.66	6.46	2.70	6.82	2.74	7.00	2.76	7.54	2.81	7.90	2.86
	43	6.32	2.58	6.68	2.61	7.04	2.65	7.22	2.68	7.76	2.73	8.12	2.77
	40	6.54	2.49	6.90	2.53	7.26	2.57	7.44	2.59	7.98	2.65	8.34	2.68
	35	6.90	2.33	7.26	2.37	7.62	2.41	7.80	2.43	8.34	2.49	8.70	2.52
	32	7.12	2.27	7.48	2.30	7.84	2.35	8.02	2.36	8.56	2.43	8.92	2.45
	25	7.63	2.07	7.99	2.10	8.35	2.16	8.53	2.16	9.06	2.23	9.43	2.25
22 + 10 + 07	46	6.10	2.66	6.46	2.70	6.82	2.74	7.00	2.76	7.54	2.81	7.90	2.86
	43	6.32	2.58	6.68	2.61	7.04	2.65	7.22	2.68	7.76	2.73	8.12	2.77
	40	6.54	2.49	6.90	2.53	7.26	2.57	7.44	2.59	7.98	2.65	8.34	2.68
	35	6.90	2.33	7.26	2.37	7.62	2.41	7.80	2.43	8.34	2.49	8.70	2.52
	32	7.12	2.27	7.48	2.30	7.84	2.35	8.02	2.36	8.56	2.43	8.92	2.45
	25	7.63	2.07	7.99	2.10	8.35	2.16	8.53	2.16	9.06	2.23	9.43	2.25
22 + 10 + 07	46	6.10	2.66	6.46	2.70	6.82	2.74	7.00	2.76	7.54	2.81	7.90	2.86
	43	6.32	2.58	6.68	2.61	7.04	2.65	7.22	2.68	7.76	2.73	8.12	2.77
	40	6.54	2.49	6.90	2.53	7.26	2.57	7.44	2.59	7.98	2.65	8.34	2.68
	35	6.90	2.33	7.26	2.37	7.62	2.41	7.80	2.43	8.34	2.49	8.70	2.52
	32	7.12	2.27	7.48	2.30	7.84	2.35	8.02	2.36	8.56	2.43	8.92	2.45
	25	7.63	2.07	7.99	2.10	8.35	2.16	8.53	2.16	9.06	2.23	9.43	2.25
22 + 10 + 07	46	6.10	2.66	6.46	2.70	6.82	2.74	7.00	2.76	7.54	2.81	7.90	2.86
	43	6.32	2.58	6.68	2.61	7.04	2.65	7.22	2.68	7.76	2.73	8.12	2.77
	40	6.54	2.49	6.90	2.53	7.26	2.57	7.44	2.59	7.98	2.65	8.34	2.68
	35	6.90	2.33	7.26	2.37	7.62	2.41	7.80	2.43	8.34	2.49	8.70	2.52
	32	7.12	2.27	7.48	2.30	7.84	2.35	8.02	2.36	8.56	2.43	8.92	2.45
	25	7.63	2.07	7.99	2.10	8.35	2.16	8.53	2.16	9.06	2.23	9.43	2.25

Cooling

5 - rooms multisplit : 3 - unit operation

Indoor units : 24 type + 10 type + 07 type 22 type + 13 type + 07 type
 13 type + 13 type + 07 type 24 type + 13 type + 07 type
 16 type + 13 type + 07 type 16 type + 16 type + 07 type
 18 type + 13 type + 07 type 18 type + 16 type + 07 type

TC : Total capacity [kW]
 PI : Power input [kW]

Outdoor unit : RAS-5M34U2AVG-E

Combination (Capacity)	Outdoor air temp. [°C DB]	Indoor air temp. [°C WB]											
		14		16		18		19		22		24	
		TC [kW]	PI [kW]	TC [kW]	PI [kW]	TC [kW]	PI [kW]	TC [kW]	PI [kW]	TC [kW]	PI [kW]	TC [kW]	PI [kW]
24 + 10 + 07	46	6.10	2.66	6.46	2.70	6.82	2.74	7.00	2.76	7.54	2.81	7.90	2.86
	43	6.32	2.58	6.68	2.61	7.04	2.65	7.22	2.68	7.76	2.73	8.12	2.77
	40	6.54	2.49	6.90	2.53	7.26	2.57	7.44	2.59	7.98	2.65	8.34	2.68
	35	6.90	2.33	7.26	2.37	7.62	2.41	7.80	2.43	8.34	2.49	8.70	2.52
	32	7.12	2.27	7.48	2.30	7.84	2.35	8.02	2.36	8.56	2.43	8.92	2.45
	25	7.63	2.07	7.99	2.10	8.35	2.16	8.53	2.16	9.06	2.23	9.43	2.25
	22	7.85	1.99	8.21	2.01	8.57	2.07	8.75	2.07	9.28	2.15	9.65	2.17
13 + 13 + 07	46	6.02	2.64	6.38	2.68	6.74	2.71	6.91	2.74	7.45	2.79	7.80	2.83
	43	6.24	2.56	6.60	2.59	6.95	2.63	7.13	2.65	7.66	2.71	8.02	2.75
	40	6.45	2.47	6.81	2.51	7.17	2.55	7.34	2.57	7.87	2.62	8.23	2.66
	35	6.81	2.31	7.17	2.35	7.52	2.39	7.70	2.41	8.23	2.47	8.59	2.50
	32	7.03	2.25	7.38	2.28	7.74	2.33	7.92	2.34	8.45	2.41	8.81	2.43
	25	7.53	2.05	7.89	2.08	8.24	2.14	8.42	2.14	8.95	2.21	9.31	2.23
	22	7.75	1.97	8.10	1.99	8.46	2.06	8.64	2.05	9.16	2.13	9.52	2.15
16 + 13 + 07	46	6.10	2.66	6.46	2.70	6.82	2.74	7.00	2.76	7.54	2.81	7.90	2.86
	43	6.32	2.58	6.68	2.61	7.04	2.65	7.22	2.68	7.76	2.73	8.12	2.77
	40	6.54	2.49	6.90	2.53	7.26	2.57	7.44	2.59	7.98	2.65	8.34	2.68
	35	6.90	2.33	7.26	2.37	7.62	2.41	7.80	2.43	8.34	2.49	8.70	2.52
	32	7.12	2.27	7.48	2.30	7.84	2.35	8.02	2.36	8.56	2.43	8.92	2.45
	25	7.63	2.07	7.99	2.10	8.35	2.16	8.53	2.16	9.06	2.23	9.43	2.25
	22	7.85	1.99	8.21	2.01	8.57	2.07	8.75	2.07	9.28	2.15	9.65	2.17
18 + 13 + 07	46	6.10	2.66	6.46	2.70	6.82	2.74	7.00	2.76	7.54	2.81	7.90	2.86
	43	6.32	2.58	6.68	2.61	7.04	2.65	7.22	2.68	7.76	2.73	8.12	2.77
	40	6.54	2.49	6.90	2.53	7.26	2.57	7.44	2.59	7.98	2.65	8.34	2.68
	35	6.90	2.33	7.26	2.37	7.62	2.41	7.80	2.43	8.34	2.49	8.70	2.52
	32	7.12	2.27	7.48	2.30	7.84	2.35	8.02	2.36	8.56	2.43	8.92	2.45
	25	7.63	2.07	7.99	2.10	8.35	2.16	8.53	2.16	9.06	2.23	9.43	2.25
	22	7.85	1.99	8.21	2.01	8.57	2.07	8.75	2.07	9.28	2.15	9.65	2.17
22 + 13 + 07	46	6.10	2.66	6.46	2.70	6.82	2.74	7.00	2.76	7.54	2.81	7.90	2.86
	43	6.32	2.58	6.68	2.61	7.04	2.65	7.22	2.68	7.76	2.73	8.12	2.77
	40	6.54	2.49	6.90	2.53	7.26	2.57	7.44	2.59	7.98	2.65	8.34	2.68
	35	6.90	2.33	7.26	2.37	7.62	2.41	7.80	2.43	8.34	2.49	8.70	2.52
	32	7.12	2.27	7.48	2.30	7.84	2.35	8.02	2.36	8.56	2.43	8.92	2.45
	25	7.63	2.07	7.99	2.10	8.35	2.16	8.53	2.16	9.06	2.23	9.43	2.25
	22	7.85	1.99	8.21	2.01	8.57	2.07	8.75	2.07	9.28	2.15	9.65	2.17
24 + 13 + 07	46	6.18	2.67	6.55	2.71	6.91	2.75	7.09	2.77	7.64	2.82	8.01	2.87
	43	6.40	2.59	6.77	2.62	7.13	2.66	7.31	2.69	7.86	2.74	8.23	2.78
	40	6.62	2.50	6.99	2.54	7.35	2.58	7.54	2.60	8.08	2.66	8.45	2.69
	35	6.99	2.34	7.35	2.38	7.72	2.42	7.90	2.44	8.45	2.50	8.81	2.53
	32	7.21	2.28	7.58	2.31	7.94	2.36	8.12	2.37	8.66	2.44	9.04	2.46
	25	7.73	2.08	8.09	2.10	8.46	2.16	8.64	2.17	9.18	2.24	9.55	2.26
	22	7.95	1.99	8.31	2.02	8.68	2.08	8.86	2.08	9.40	2.16	9.77	2.18
16 + 16 + 07	46	6.10	2.66	6.46	2.70	6.82	2.74	7.00	2.76	7.54	2.81	7.90	2.86
	43	6.32	2.58	6.68	2.61	7.04	2.65	7.22	2.68	7.76	2.73	8.12	2.77
	40	6.54	2.49	6.90	2.53	7.26	2.57	7.44	2.59	7.98	2.65	8.34	2.68
	35	6.90	2.33	7.26	2.37	7.62	2.41	7.80	2.43	8.34	2.49	8.70	2.52
	32	7.12	2.27	7.48	2.30	7.84	2.35	8.02	2.36	8.56	2.43	8.92	2.45
	25	7.63	2.07	7.99	2.10	8.35	2.16	8.53	2.16	9.06	2.23	9.43	2.25
	22	7.85	1.99	8.21	2.01	8.57	2.07	8.75	2.07	9.28	2.15	9.65	2.17
18 + 16 + 07	46	6.10	2.66	6.46	2.70	6.82	2.74	7.00	2.76	7.54	2.81	7.90	2.86
	43	6.32	2.58	6.68	2.61	7.04	2.65	7.22	2.68	7.76	2.73	8.12	2.77
	40	6.54	2.49	6.90	2.53	7.26	2.57	7.44	2.59	7.98	2.65	8.34	2.68
	35	6.90	2.33	7.26	2.37	7.62	2.41	7.80	2.43	8.34	2.49	8.70	2.52
	32	7.12	2.27	7.48	2.30	7.84	2.35	8.02	2.36	8.56	2.43	8.92	2.45
	25	7.63	2.07	7.99	2.10	8.35	2.16	8.53	2.16	9.06	2.23	9.43	2.25
	22	7.85	1.99	8.21	2.01	8.57	2.07	8.75	2.07	9.28	2.15	9.65	2.17

Cooling

5 - rooms multisplit : 3 - unit operation

Indoor units : 22 type + 16 type + 07 type 24 type + 18 type + 07 type
 24 type + 16 type + 07 type 22 type + 22 type + 07 type
 18 type + 18 type + 07 type 24 type + 22 type + 07 type
 22 type + 18 type + 07 type 24 type + 24 type + 07 type

TC : Total capacity [kW]
 PI : Power input [kW]

Outdoor unit : RAS-5M34U2AVG-E

Combination (Capacity)	Outdoor air temp. [°C DB]	Indoor air temp. [°C WB]											
		14		16		18		19		22		24	
		TC [kW]	PI [kW]	TC [kW]	PI [kW]	TC [kW]	PI [kW]	TC [kW]	PI [kW]	TC [kW]	PI [kW]	TC [kW]	PI [kW]
22 + 16 + 07	46	6.18	2.67	6.55	2.71	6.91	2.75	7.09	2.77	7.64	2.82	8.01	2.87
	43	6.40	2.59	6.77	2.62	7.13	2.66	7.31	2.69	7.86	2.74	8.23	2.78
	40	6.62	2.50	6.99	2.54	7.35	2.58	7.54	2.60	8.08	2.66	8.45	2.69
	35	6.99	2.34	7.35	2.38	7.72	2.42	7.90	2.44	8.45	2.50	8.81	2.53
	32	7.21	2.28	7.58	2.31	7.94	2.36	8.12	2.37	8.66	2.44	9.04	2.46
	25	7.73	2.08	8.09	2.10	8.46	2.16	8.64	2.17	9.18	2.24	9.55	2.26
	22	7.95	1.99	8.31	2.02	8.68	2.08	8.86	2.08	9.40	2.16	9.77	2.18
24 + 16 + 07	46	6.18	2.67	6.55	2.71	6.91	2.75	7.09	2.77	7.64	2.82	8.01	2.87
	43	6.40	2.59	6.77	2.62	7.13	2.66	7.31	2.69	7.86	2.74	8.23	2.78
	40	6.62	2.50	6.99	2.54	7.35	2.58	7.54	2.60	8.08	2.66	8.45	2.69
	35	6.99	2.34	7.35	2.38	7.72	2.42	7.90	2.44	8.45	2.50	8.81	2.53
	32	7.21	2.28	7.58	2.31	7.94	2.36	8.12	2.37	8.66	2.44	9.04	2.46
	25	7.73	2.08	8.09	2.10	8.46	2.16	8.64	2.17	9.18	2.24	9.55	2.26
	22	7.95	1.99	8.31	2.02	8.68	2.08	8.86	2.08	9.40	2.16	9.77	2.18
18 + 18 + 07	46	6.18	2.67	6.55	2.71	6.91	2.75	7.09	2.77	7.64	2.82	8.01	2.87
	43	6.40	2.59	6.77	2.62	7.13	2.66	7.31	2.69	7.86	2.74	8.23	2.78
	40	6.62	2.50	6.99	2.54	7.35	2.58	7.54	2.60	8.08	2.66	8.45	2.69
	35	6.99	2.34	7.35	2.38	7.72	2.42	7.90	2.44	8.45	2.50	8.81	2.53
	32	7.21	2.28	7.58	2.31	7.94	2.36	8.12	2.37	8.66	2.44	9.04	2.46
	25	7.73	2.08	8.09	2.10	8.46	2.16	8.64	2.17	9.18	2.24	9.55	2.26
	22	7.95	1.99	8.31	2.02	8.68	2.08	8.86	2.08	9.40	2.16	9.77	2.18
22 + 18 + 07	46	6.18	2.67	6.55	2.71	6.91	2.75	7.09	2.77	7.64	2.82	8.01	2.87
	43	6.40	2.59	6.77	2.62	7.13	2.66	7.31	2.69	7.86	2.74	8.23	2.78
	40	6.62	2.50	6.99	2.54	7.35	2.58	7.54	2.60	8.08	2.66	8.45	2.69
	35	6.99	2.34	7.35	2.38	7.72	2.42	7.90	2.44	8.45	2.50	8.81	2.53
	32	7.21	2.28	7.58	2.31	7.94	2.36	8.12	2.37	8.66	2.44	9.04	2.46
	25	7.73	2.08	8.09	2.10	8.46	2.16	8.64	2.17	9.18	2.24	9.55	2.26
	22	7.95	1.99	8.31	2.02	8.68	2.08	8.86	2.08	9.40	2.16	9.77	2.18
24 + 18 + 07	46	6.18	2.67	6.55	2.71	6.91	2.75	7.09	2.77	7.64	2.82	8.01	2.87
	43	6.40	2.59	6.77	2.62	7.13	2.66	7.31	2.69	7.86	2.74	8.23	2.78
	40	6.62	2.50	6.99	2.54	7.35	2.58	7.54	2.60	8.08	2.66	8.45	2.69
	35	6.99	2.34	7.35	2.38	7.72	2.42	7.90	2.44	8.45	2.50	8.81	2.53
	32	7.21	2.28	7.58	2.31	7.94	2.36	8.12	2.37	8.66	2.44	9.04	2.46
	25	7.73	2.08	8.09	2.10	8.46	2.16	8.64	2.17	9.18	2.24	9.55	2.26
	22	7.95	1.99	8.31	2.02	8.68	2.08	8.86	2.08	9.40	2.16	9.77	2.18
22 + 22 + 07	46	6.26	2.65	6.63	2.68	7.00	2.72	7.18	2.74	7.74	2.80	8.11	2.84
	43	6.48	2.56	6.85	2.60	7.22	2.64	7.41	2.66	7.96	2.71	8.33	2.75
	40	6.71	2.48	7.08	2.51	7.44	2.55	7.63	2.57	8.18	2.63	8.55	2.67
	35	7.08	2.32	7.44	2.36	7.81	2.40	8.00	2.42	8.55	2.47	8.92	2.51
	32	7.30	2.25	7.67	2.28	8.04	2.33	8.23	2.34	8.77	2.41	9.15	2.44
	25	7.82	2.06	8.19	2.08	8.56	2.14	8.75	2.14	9.29	2.22	9.67	2.24
	22	8.05	1.97	8.42	2.00	8.79	2.06	8.97	2.06	9.52	2.13	9.89	2.15
24 + 22 + 07	46	6.34	2.67	6.71	2.71	7.09	2.75	7.27	2.77	7.83	2.82	8.21	2.87
	43	6.56	2.59	6.94	2.62	7.31	2.66	7.50	2.69	8.06	2.74	8.43	2.78
	40	6.79	2.50	7.16	2.54	7.54	2.58	7.73	2.60	8.28	2.66	8.66	2.69
	35	7.16	2.34	7.54	2.38	7.91	2.42	8.10	2.44	8.66	2.50	9.03	2.53
	32	7.39	2.28	7.77	2.31	8.14	2.36	8.33	2.37	8.88	2.44	9.26	2.46
	25	7.92	2.08	8.30	2.10	8.67	2.16	8.86	2.17	9.41	2.24	9.79	2.26
	22	8.15	1.99	8.52	2.02	8.90	2.08	9.08	2.08	9.64	2.16	10.02	2.18
24 + 24 + 07	46	6.42	2.70	6.79	2.74	7.17	2.78	7.36	2.80	7.93	2.85	8.31	2.90
	43	6.65	2.61	7.02	2.65	7.40	2.69	7.59	2.71	8.16	2.77	8.54	2.81
	40	6.87	2.53	7.25	2.56	7.63	2.61	7.82	2.63	8.39	2.68	8.77	2.72
	35	7.25	2.37	7.63	2.41	8.01	2.44	8.20	2.47	8.77	2.52	9.15	2.56
	32	7.48	2.30	7.86	2.33	8.24	2.38	8.43	2.39	8.99	2.46	9.38	2.49
	25	8.02	2.10	8.40	2.13	8.78	2.19	8.97	2.19	9.53	2.26	9.91	2.28
	22	8.25	2.02	8.63	2.04	9.01	2.10	9.20	2.10	9.75	2.18	10.14	2.20

Cooling

5 - rooms multisplit : 3 - unit operation

Indoor units : 10 type + 10 type + 10 type 22 type + 10 type + 10 type
 13 type + 10 type + 10 type 24 type + 10 type + 10 type
 16 type + 10 type + 10 type 13 type + 13 type + 10 type
 18 type + 10 type + 10 type 16 type + 13 type + 10 type

TC : Total capacity [kW]

PI : Power input [kW]

Outdoor unit : RAS-5M34U2AVG-E

Combination (Capacity)	Outdoor air temp. [°C DB]	Indoor air temp. [°C WB]											
		14		16		18		19		22		24	
		TC [kW]	PI [kW]	TC [kW]	PI [kW]	TC [kW]	PI [kW]	TC [kW]	PI [kW]	TC [kW]	PI [kW]	TC [kW]	PI [kW]
10 + 10 + 10	46	5.95	2.63	6.30	2.67	6.65	2.70	6.82	2.73	7.35	2.78	7.70	2.82
	43	6.16	2.55	6.51	2.58	6.86	2.62	7.04	2.64	7.56	2.70	7.91	2.74
	40	6.37	2.46	6.72	2.50	7.07	2.54	7.25	2.56	7.77	2.61	8.13	2.65
	35	6.72	2.31	7.07	2.34	7.42	2.38	7.60	2.40	8.13	2.46	8.48	2.49
	32	6.94	2.24	7.29	2.27	7.64	2.32	7.82	2.33	8.34	2.40	8.69	2.42
	25	7.43	2.05	7.78	2.07	8.14	2.13	8.31	2.13	8.83	2.20	9.19	2.22
	22	7.64	1.96	8.00	1.98	8.35	2.05	8.52	2.05	9.04	2.12	9.40	2.14
13 + 10 + 10	46	6.02	2.64	6.38	2.68	6.74	2.71	6.91	2.74	7.45	2.79	7.80	2.83
	43	6.24	2.56	6.60	2.59	6.95	2.63	7.13	2.65	7.66	2.71	8.02	2.75
	40	6.45	2.47	6.81	2.51	7.17	2.55	7.34	2.57	7.87	2.62	8.23	2.66
	35	6.81	2.31	7.17	2.35	7.52	2.39	7.70	2.41	8.23	2.47	8.59	2.50
	32	7.03	2.25	7.38	2.28	7.74	2.33	7.92	2.34	8.45	2.41	8.81	2.43
	25	7.53	2.05	7.89	2.08	8.24	2.14	8.42	2.14	8.95	2.21	9.31	2.23
	22	7.75	1.97	8.10	1.99	8.46	2.06	8.64	2.05	9.16	2.13	9.52	2.15
16 + 10 + 10	46	6.02	2.64	6.38	2.68	6.74	2.71	6.91	2.74	7.45	2.79	7.80	2.83
	43	6.24	2.56	6.60	2.59	6.95	2.63	7.13	2.65	7.66	2.71	8.02	2.75
	40	6.45	2.47	6.81	2.51	7.17	2.55	7.34	2.57	7.87	2.62	8.23	2.66
	35	6.81	2.31	7.17	2.35	7.52	2.39	7.70	2.41	8.23	2.47	8.59	2.50
	32	7.03	2.25	7.38	2.28	7.74	2.33	7.92	2.34	8.45	2.41	8.81	2.43
	25	7.53	2.05	7.89	2.08	8.24	2.14	8.42	2.14	8.95	2.21	9.31	2.23
	22	7.75	1.97	8.10	1.99	8.46	2.06	8.64	2.05	9.16	2.13	9.52	2.15
18 + 10 + 10	46	6.02	2.64	6.38	2.68	6.74	2.71	6.91	2.74	7.45	2.79	7.80	2.83
	43	6.24	2.56	6.60	2.59	6.95	2.63	7.13	2.65	7.66	2.71	8.02	2.75
	40	6.45	2.47	6.81	2.51	7.17	2.55	7.34	2.57	7.87	2.62	8.23	2.66
	35	6.81	2.31	7.17	2.35	7.52	2.39	7.70	2.41	8.23	2.47	8.59	2.50
	32	7.03	2.25	7.38	2.28	7.74	2.33	7.92	2.34	8.45	2.41	8.81	2.43
	25	7.53	2.05	7.89	2.08	8.24	2.14	8.42	2.14	8.95	2.21	9.31	2.23
	22	7.75	1.97	8.10	1.99	8.46	2.06	8.64	2.05	9.16	2.13	9.52	2.15
22 + 10 + 10	46	6.18	2.67	6.55	2.71	6.91	2.75	7.09	2.77	7.64	2.82	8.01	2.87
	43	6.40	2.59	6.77	2.62	7.13	2.66	7.31	2.69	7.86	2.74	8.23	2.78
	40	6.62	2.50	6.99	2.54	7.35	2.58	7.54	2.60	8.08	2.66	8.45	2.69
	35	6.99	2.34	7.35	2.38	7.72	2.42	7.90	2.44	8.45	2.50	8.81	2.53
	32	7.21	2.28	7.58	2.31	7.94	2.36	8.12	2.37	8.66	2.44	9.04	2.46
	25	7.73	2.08	8.09	2.10	8.46	2.16	8.64	2.17	9.18	2.24	9.55	2.26
	22	7.95	1.99	8.31	2.02	8.68	2.08	8.86	2.08	9.40	2.16	9.77	2.18
24 + 10 + 10	46	6.18	2.67	6.55	2.71	6.91	2.75	7.09	2.77	7.64	2.82	8.01	2.87
	43	6.40	2.59	6.77	2.62	7.13	2.66	7.31	2.69	7.86	2.74	8.23	2.78
	40	6.62	2.50	6.99	2.54	7.35	2.58	7.54	2.60	8.08	2.66	8.45	2.69
	35	6.99	2.34	7.35	2.38	7.72	2.42	7.90	2.44	8.45	2.50	8.81	2.53
	32	7.21	2.28	7.58	2.31	7.94	2.36	8.12	2.37	8.66	2.44	9.04	2.46
	25	7.73	2.08	8.09	2.10	8.46	2.16	8.64	2.17	9.18	2.24	9.55	2.26
	22	7.95	1.99	8.31	2.02	8.68	2.08	8.86	2.08	9.40	2.16	9.77	2.18
13 + 13 + 10	46	6.02	2.64	6.38	2.68	6.74	2.71	6.91	2.74	7.45	2.79	7.80	2.83
	43	6.24	2.56	6.60	2.59	6.95	2.63	7.13	2.65	7.66	2.71	8.02	2.75
	40	6.45	2.47	6.81	2.51	7.17	2.55	7.34	2.57	7.87	2.62	8.23	2.66
	35	6.81	2.31	7.17	2.35	7.52	2.39	7.70	2.41	8.23	2.47	8.59	2.50
	32	7.03	2.25	7.38	2.28	7.74	2.33	7.92	2.34	8.45	2.41	8.81	2.43
	25	7.53	2.05	7.89	2.08	8.24	2.14	8.42	2.14	8.95	2.21	9.31	2.23
	22	7.75	1.97	8.10	1.99	8.46	2.06	8.64	2.05	9.16	2.13	9.52	2.15
16 + 13 + 10	46	6.10	2.66	6.46	2.70	6.82	2.74	7.00	2.76	7.54	2.81	7.90	2.86
	43	6.32	2.58	6.68	2.61	7.04	2.65	7.22	2.68	7.76	2.73	8.12	2.77
	40	6.54	2.49	6.90	2.53	7.26	2.57	7.44	2.59	7.98	2.65	8.34	2.68
	35	6.90	2.33	7.26	2.37	7.62	2.41	7.80	2.43	8.34	2.49	8.70	2.52
	32	7.12	2.27	7.48	2.30	7.84	2.35	8.02	2.36	8.56	2.43	8.92	2.45
	25	7.63	2.07	7.99	2.10	8.35	2.16	8.53	2.16	9.06	2.23	9.43	2.25
	22	7.85	1.99	8.21	2.01	8.57	2.07	8.75	2.07	9.28	2.15	9.65	2.17

Cooling

5 - rooms multisplit : 3 - unit operation

Indoor units : 18 type + 13 type + 10 type 18 type + 16 type + 10 type
 22 type + 13 type + 10 type 22 type + 16 type + 10 type
 24 type + 13 type + 10 type 24 type + 16 type + 10 type
 16 type + 16 type + 10 type 18 type + 18 type + 10 type

Outdoor unit : RAS-5M34U2AVG-E

TC : Total capacity [kW]
 PI : Power input [kW]

Combination (Capacity)	Outdoor air temp. [°C DB]	Indoor air temp. [°C WB]											
		14		16		18		19		22		24	
		TC [kW]	PI [kW]	TC [kW]	PI [kW]	TC [kW]	PI [kW]	TC [kW]	PI [kW]	TC [kW]	PI [kW]	TC [kW]	PI [kW]
18 + 13 + 10	46	6.10	2.66	6.46	2.70	6.82	2.74	7.00	2.76	7.54	2.81	7.90	2.86
	43	6.32	2.58	6.68	2.61	7.04	2.65	7.22	2.68	7.76	2.73	8.12	2.77
	40	6.54	2.49	6.90	2.53	7.26	2.57	7.44	2.59	7.98	2.65	8.34	2.68
	35	6.90	2.33	7.26	2.37	7.62	2.41	7.80	2.43	8.34	2.49	8.70	2.52
	32	7.12	2.27	7.48	2.30	7.84	2.35	8.02	2.36	8.56	2.43	8.92	2.45
	25	7.63	2.07	7.99	2.10	8.35	2.16	8.53	2.16	9.06	2.23	9.43	2.25
22 + 13 + 10	46	6.18	2.67	6.55	2.71	6.91	2.75	7.09	2.77	7.64	2.82	8.01	2.87
	43	6.40	2.59	6.77	2.62	7.13	2.66	7.31	2.69	7.86	2.74	8.23	2.78
	40	6.62	2.50	6.99	2.54	7.35	2.58	7.54	2.60	8.08	2.66	8.45	2.69
	35	6.99	2.34	7.35	2.38	7.72	2.42	7.90	2.44	8.45	2.50	8.81	2.53
	32	7.21	2.28	7.58	2.31	7.94	2.36	8.12	2.37	8.66	2.44	9.04	2.46
	25	7.73	2.08	8.09	2.10	8.46	2.16	8.64	2.17	9.18	2.24	9.55	2.26
24 + 13 + 10	46	6.18	2.67	6.55	2.71	6.91	2.75	7.09	2.77	7.64	2.82	8.01	2.87
	43	6.40	2.59	6.77	2.62	7.13	2.66	7.31	2.69	7.86	2.74	8.23	2.78
	40	6.62	2.50	6.99	2.54	7.35	2.58	7.54	2.60	8.08	2.66	8.45	2.69
	35	6.99	2.34	7.35	2.38	7.72	2.42	7.90	2.44	8.45	2.50	8.81	2.53
	32	7.21	2.28	7.58	2.31	7.94	2.36	8.12	2.37	8.66	2.44	9.04	2.46
	25	7.73	2.08	8.09	2.10	8.46	2.16	8.64	2.17	9.18	2.24	9.55	2.26
16 + 16 + 10	46	6.18	2.67	6.55	2.71	6.91	2.75	7.09	2.77	7.64	2.82	8.01	2.87
	43	6.40	2.59	6.77	2.62	7.13	2.66	7.31	2.69	7.86	2.74	8.23	2.78
	40	6.62	2.50	6.99	2.54	7.35	2.58	7.54	2.60	8.08	2.66	8.45	2.69
	35	6.99	2.34	7.35	2.38	7.72	2.42	7.90	2.44	8.45	2.50	8.81	2.53
	32	7.21	2.28	7.58	2.31	7.94	2.36	8.12	2.37	8.66	2.44	9.04	2.46
	25	7.73	2.08	8.09	2.10	8.46	2.16	8.64	2.17	9.18	2.24	9.55	2.26
18 + 16 + 10	46	6.10	2.66	6.46	2.70	6.82	2.74	7.00	2.76	7.54	2.81	7.90	2.86
	43	6.32	2.58	6.68	2.61	7.04	2.65	7.22	2.68	7.76	2.73	8.12	2.77
	40	6.54	2.49	6.90	2.53	7.26	2.57	7.44	2.59	7.98	2.65	8.34	2.68
	35	6.90	2.33	7.26	2.37	7.62	2.41	7.80	2.43	8.34	2.49	8.70	2.52
	32	7.12	2.27	7.48	2.30	7.84	2.35	8.02	2.36	8.56	2.43	8.92	2.45
	25	7.63	2.07	7.99	2.10	8.35	2.16	8.53	2.16	9.06	2.23	9.43	2.25
22 + 16 + 10	46	6.26	2.68	6.63	2.72	7.00	2.76	7.18	2.78	7.74	2.84	8.11	2.88
	43	6.48	2.60	6.85	2.64	7.22	2.68	7.41	2.70	7.96	2.75	8.33	2.79
	40	6.71	2.51	7.08	2.55	7.44	2.59	7.63	2.61	8.18	2.67	8.55	2.71
	35	7.08	2.35	7.44	2.39	7.81	2.43	8.00	2.45	8.55	2.51	8.92	2.54
	32	7.30	2.29	7.67	2.32	8.04	2.37	8.23	2.38	8.77	2.45	9.15	2.47
	25	7.82	2.09	8.19	2.11	8.56	2.17	8.75	2.18	9.29	2.25	9.67	2.27
24 + 16 + 10	46	6.26	2.68	6.63	2.72	7.00	2.76	7.18	2.78	7.74	2.84	8.11	2.88
	43	6.48	2.60	6.85	2.64	7.22	2.68	7.41	2.70	7.96	2.75	8.33	2.79
	40	6.71	2.51	7.08	2.55	7.44	2.59	7.63	2.61	8.18	2.67	8.55	2.71
	35	7.08	2.35	7.44	2.39	7.81	2.43	8.00	2.45	8.55	2.51	8.92	2.54
	32	7.30	2.29	7.67	2.32	8.04	2.37	8.23	2.38	8.77	2.45	9.15	2.47
	25	7.82	2.09	8.19	2.11	8.56	2.17	8.75	2.18	9.29	2.25	9.67	2.27
18 + 18 + 10	46	6.18	2.67	6.55	2.71	6.91	2.75	7.09	2.77	7.64	2.82	8.01	2.87
	43	6.40	2.59	6.77	2.62	7.13	2.66	7.31	2.69	7.86	2.74	8.23	2.78
	40	6.62	2.50	6.99	2.54	7.35	2.58	7.54	2.60	8.08	2.66	8.45	2.69
	35	6.99	2.34	7.35	2.38	7.72	2.42	7.90	2.44	8.45	2.50	8.81	2.53
	32	7.21	2.28	7.58	2.31	7.94	2.36	8.12	2.37	8.66	2.44	9.04	2.46
	25	7.73	2.08	8.09	2.10	8.46	2.16	8.64	2.17	9.18	2.24	9.55	2.26
22 + 18 + 10	46	6.18	2.67	6.55	2.71	6.91	2.75	7.09	2.77	7.64	2.82	8.01	2.87
	43	6.40	2.59	6.77	2.62	7.13	2.66	7.31	2.69	7.86	2.74	8.23	2.78
	40	6.62	2.50	6.99	2.54	7.35	2.58	7.54	2.60	8.08	2.66	8.45	2.69
	35	6.99	2.34	7.35	2.38	7.72	2.42	7.90	2.44	8.45	2.50	8.81	2.53
	32	7.21	2.28	7.58	2.31	7.94	2.36	8.12	2.37	8.66	2.44	9.04	2.46
	25	7.73	2.08	8.09	2.10	8.46	2.16	8.64	2.17	9.18	2.24	9.55	2.26

Cooling

5 - rooms multisplit : 3 - unit operation

Indoor units : 22 type + 18 type + 10 type 24 type + 24 type + 10 type
 24 type + 18 type + 10 type 13 type + 13 type + 13 type
 22 type + 22 type + 10 type 16 type + 13 type + 13 type
 24 type + 22 type + 10 type 18 type + 13 type + 13 type

TC : Total capacity [kW]
 PI : Power input [kW]

Outdoor unit : RAS-5M34U2AVG-E

Combination (Capacity)	Outdoor air temp. [°C DB]	Indoor air temp. [°C WB]											
		14		16		18		19		22		24	
		TC [kW]	PI [kW]	TC [kW]	PI [kW]	TC [kW]	PI [kW]	TC [kW]	PI [kW]	TC [kW]	PI [kW]	TC [kW]	PI [kW]
22 + 18 + 10	46	6.26	2.65	6.63	2.68	7.00	2.72	7.18	2.74	7.74	2.80	8.11	2.84
	43	6.48	2.56	6.85	2.60	7.22	2.64	7.41	2.66	7.96	2.71	8.33	2.75
	40	6.71	2.48	7.08	2.51	7.44	2.55	7.63	2.57	8.18	2.63	8.55	2.67
	35	7.08	2.32	7.44	2.36	7.81	2.40	8.00	2.42	8.55	2.47	8.92	2.51
	32	7.30	2.25	7.67	2.28	8.04	2.33	8.23	2.34	8.77	2.41	9.15	2.44
	25	7.82	2.06	8.19	2.08	8.56	2.14	8.75	2.14	9.29	2.22	9.67	2.24
	22	8.05	1.97	8.42	2.00	8.79	2.06	8.97	2.06	9.52	2.13	9.89	2.15
24 + 18 + 10	46	6.34	2.67	6.71	2.71	7.09	2.75	7.27	2.77	7.83	2.82	8.21	2.87
	43	6.56	2.59	6.94	2.62	7.31	2.66	7.50	2.69	8.06	2.74	8.43	2.78
	40	6.79	2.50	7.16	2.54	7.54	2.58	7.73	2.60	8.28	2.66	8.66	2.69
	35	7.16	2.34	7.54	2.38	7.91	2.42	8.10	2.44	8.66	2.50	9.03	2.53
	32	7.39	2.28	7.77	2.31	8.14	2.36	8.33	2.37	8.88	2.44	9.26	2.46
	25	7.92	2.08	8.30	2.10	8.67	2.16	8.86	2.17	9.41	2.24	9.79	2.26
	22	8.15	1.99	8.52	2.02	8.90	2.08	9.08	2.08	9.64	2.16	10.02	2.18
22 + 22 + 10	46	6.34	2.67	6.71	2.71	7.09	2.75	7.27	2.77	7.83	2.82	8.21	2.87
	43	6.56	2.59	6.94	2.62	7.31	2.66	7.50	2.69	8.06	2.74	8.43	2.78
	40	6.79	2.50	7.16	2.54	7.54	2.58	7.73	2.60	8.28	2.66	8.66	2.69
	35	7.16	2.34	7.54	2.38	7.91	2.42	8.10	2.44	8.66	2.50	9.03	2.53
	32	7.39	2.28	7.77	2.31	8.14	2.36	8.33	2.37	8.88	2.44	9.26	2.46
	25	7.92	2.08	8.30	2.10	8.67	2.16	8.86	2.17	9.41	2.24	9.79	2.26
	22	8.15	1.99	8.52	2.02	8.90	2.08	9.08	2.08	9.64	2.16	10.02	2.18
24 + 22 + 10	46	6.42	2.70	6.79	2.74	7.17	2.78	7.36	2.80	7.93	2.85	8.31	2.90
	43	6.65	2.61	7.02	2.65	7.40	2.69	7.59	2.71	8.16	2.77	8.54	2.81
	40	6.87	2.53	7.25	2.56	7.63	2.61	7.82	2.63	8.39	2.68	8.77	2.72
	35	7.25	2.37	7.63	2.41	8.01	2.44	8.20	2.47	8.77	2.52	9.15	2.56
	32	7.48	2.30	7.86	2.33	8.24	2.38	8.43	2.39	8.99	2.46	9.38	2.49
	25	8.02	2.10	8.40	2.13	8.78	2.19	8.97	2.19	9.53	2.26	9.91	2.28
	22	8.25	2.02	8.63	2.04	9.01	2.10	9.20	2.10	9.75	2.18	10.14	2.20
24 + 24 + 10	46	6.42	2.70	6.79	2.74	7.17	2.78	7.36	2.80	7.93	2.85	8.31	2.90
	43	6.65	2.61	7.02	2.65	7.40	2.69	7.59	2.71	8.16	2.77	8.54	2.81
	40	6.87	2.53	7.25	2.56	7.63	2.61	7.82	2.63	8.39	2.68	8.77	2.72
	35	7.25	2.37	7.63	2.41	8.01	2.44	8.20	2.47	8.77	2.52	9.15	2.56
	32	7.48	2.30	7.86	2.33	8.24	2.38	8.43	2.39	8.99	2.46	9.38	2.49
	25	8.02	2.10	8.40	2.13	8.78	2.19	8.97	2.19	9.53	2.26	9.91	2.28
	22	8.25	2.02	8.63	2.04	9.01	2.10	9.20	2.10	9.75	2.18	10.14	2.20
13 + 13 + 13	46	6.10	2.66	6.46	2.70	6.82	2.74	7.00	2.76	7.54	2.81	7.90	2.86
	43	6.32	2.58	6.68	2.61	7.04	2.65	7.22	2.68	7.76	2.73	8.12	2.77
	40	6.54	2.49	6.90	2.53	7.26	2.57	7.44	2.59	7.98	2.65	8.34	2.68
	35	6.90	2.33	7.26	2.37	7.62	2.41	7.80	2.43	8.34	2.49	8.70	2.52
	32	7.12	2.27	7.48	2.30	7.84	2.35	8.02	2.36	8.56	2.43	8.92	2.45
	25	7.63	2.07	7.99	2.10	8.35	2.16	8.53	2.16	9.06	2.23	9.43	2.25
	22	7.85	1.99	8.21	2.01	8.57	2.07	8.75	2.07	9.28	2.15	9.65	2.17
16 + 13 + 13	46	6.18	2.67	6.55	2.71	6.91	2.75	7.09	2.77	7.64	2.82	8.01	2.87
	43	6.40	2.59	6.77	2.62	7.13	2.66	7.31	2.69	7.86	2.74	8.23	2.78
	40	6.62	2.50	6.99	2.54	7.35	2.58	7.54	2.60	8.08	2.66	8.45	2.69
	35	6.99	2.34	7.35	2.38	7.72	2.42	7.90	2.44	8.45	2.50	8.81	2.53
	32	7.21	2.28	7.58	2.31	7.94	2.36	8.12	2.37	8.66	2.44	9.04	2.46
	25	7.73	2.08	8.09	2.10	8.46	2.16	8.64	2.17	9.18	2.24	9.55	2.26
	22	7.95	1.99	8.31	2.02	8.68	2.08	8.86	2.08	9.40	2.16	9.77	2.18
18 + 13 + 13	46	6.18	2.67	6.55	2.71	6.91	2.75	7.09	2.77	7.64	2.82	8.01	2.87
	43	6.40	2.59	6.77	2.62	7.13	2.66	7.31	2.69	7.86	2.74	8.23	2.78
	40	6.62	2.50	6.99	2.54	7.35	2.58	7.54	2.60	8.08	2.66	8.45	2.69
	35	6.99	2.34	7.35	2.38	7.72	2.42	7.90	2.44	8.45	2.50	8.81	2.53
	32	7.21	2.28	7.58	2.31	7.94	2.36	8.12	2.37	8.66	2.44	9.04	2.46
	25	7.73	2.08	8.09	2.10	8.46	2.16	8.64	2.17	9.18	2.24	9.55	2.26
	22	7.95	1.99	8.31	2.02	8.68	2.08	8.86	2.08	9.40	2.16	9.77	2.18

Cooling

5 - rooms multisplit : 3 - unit operation

Indoor units : 22 type + 13 type + 13 type 22 type + 16 type + 13 type
 24 type + 13 type + 13 type 24 type + 16 type + 13 type
 16 type + 16 type + 13 type 18 type + 18 type + 13 type
 18 type + 16 type + 13 type 22 type + 18 type + 13 type

TC : Total capacity [kW]

PI : Power input [kW]

Outdoor unit : RAS-5M34U2AVG-E

Combination (Capacity)	Outdoor air temp. [°C DB]	Indoor air temp. [°C WB]											
		14		16		18		19		22		24	
		TC [kW]	PI [kW]	TC [kW]	PI [kW]	TC [kW]	PI [kW]	TC [kW]	PI [kW]	TC [kW]	PI [kW]	TC [kW]	PI [kW]
22 + 13 + 13	46	6.26	2.68	6.63	2.72	7.00	2.76	7.18	2.78	7.74	2.84	8.11	2.88
	43	6.48	2.60	6.85	2.64	7.22	2.68	7.41	2.70	7.96	2.75	8.33	2.79
	40	6.71	2.51	7.08	2.55	7.44	2.59	7.63	2.61	8.18	2.67	8.55	2.71
	35	7.08	2.35	7.44	2.39	7.81	2.43	8.00	2.45	8.55	2.51	8.92	2.54
	32	7.30	2.29	7.67	2.32	8.04	2.37	8.23	2.38	8.77	2.45	9.15	2.47
	25	7.82	2.09	8.19	2.11	8.56	2.17	8.75	2.18	9.29	2.25	9.67	2.27
	22	8.05	2.00	8.42	2.03	8.79	2.09	8.97	2.09	9.52	2.17	9.89	2.18
24 + 13 + 13	46	6.26	2.68	6.63	2.72	7.00	2.76	7.18	2.78	7.74	2.84	8.11	2.88
	43	6.48	2.60	6.85	2.64	7.22	2.68	7.41	2.70	7.96	2.75	8.33	2.79
	40	6.71	2.51	7.08	2.55	7.44	2.59	7.63	2.61	8.18	2.67	8.55	2.71
	35	7.08	2.35	7.44	2.39	7.81	2.43	8.00	2.45	8.55	2.51	8.92	2.54
	32	7.30	2.29	7.67	2.32	8.04	2.37	8.23	2.38	8.77	2.45	9.15	2.47
	25	7.82	2.09	8.19	2.11	8.56	2.17	8.75	2.18	9.29	2.25	9.67	2.27
	22	8.05	2.00	8.42	2.03	8.79	2.09	8.97	2.09	9.52	2.17	9.89	2.18
16 + 16 + 13	46	6.18	2.67	6.55	2.71	6.91	2.75	7.09	2.77	7.64	2.82	8.01	2.87
	43	6.40	2.59	6.77	2.62	7.13	2.66	7.31	2.69	7.86	2.74	8.23	2.78
	40	6.62	2.50	6.99	2.54	7.35	2.58	7.54	2.60	8.08	2.66	8.45	2.69
	35	6.99	2.34	7.35	2.38	7.72	2.42	7.90	2.44	8.45	2.50	8.81	2.53
	32	7.21	2.28	7.58	2.31	7.94	2.36	8.12	2.37	8.66	2.44	9.04	2.46
	25	7.73	2.08	8.09	2.10	8.46	2.16	8.64	2.17	9.18	2.24	9.55	2.26
	22	7.95	1.99	8.31	2.02	8.68	2.08	8.86	2.08	9.40	2.16	9.77	2.18
18 + 16 + 13	46	6.18	2.67	6.55	2.71	6.91	2.75	7.09	2.77	7.64	2.82	8.01	2.87
	43	6.40	2.59	6.77	2.62	7.13	2.66	7.31	2.69	7.86	2.74	8.23	2.78
	40	6.62	2.50	6.99	2.54	7.35	2.58	7.54	2.60	8.08	2.66	8.45	2.69
	35	6.99	2.34	7.35	2.38	7.72	2.42	7.90	2.44	8.45	2.50	8.81	2.53
	32	7.21	2.28	7.58	2.31	7.94	2.36	8.12	2.37	8.66	2.44	9.04	2.46
	25	7.73	2.08	8.09	2.10	8.46	2.16	8.64	2.17	9.18	2.24	9.55	2.26
	22	7.95	1.99	8.31	2.02	8.68	2.08	8.86	2.08	9.40	2.16	9.77	2.18
22 + 16 + 13	46	6.26	2.68	6.63	2.72	7.00	2.76	7.18	2.78	7.74	2.84	8.11	2.88
	43	6.48	2.60	6.85	2.64	7.22	2.68	7.41	2.70	7.96	2.75	8.33	2.79
	40	6.71	2.51	7.08	2.55	7.44	2.59	7.63	2.61	8.18	2.67	8.55	2.71
	35	7.08	2.35	7.44	2.39	7.81	2.43	8.00	2.45	8.55	2.51	8.92	2.54
	32	7.30	2.29	7.67	2.32	8.04	2.37	8.23	2.38	8.77	2.45	9.15	2.47
	25	7.82	2.09	8.19	2.11	8.56	2.17	8.75	2.18	9.29	2.25	9.67	2.27
	22	8.05	2.00	8.42	2.03	8.79	2.09	8.97	2.09	9.52	2.17	9.89	2.18
24 + 16 + 13	46	6.26	2.68	6.63	2.72	7.00	2.76	7.18	2.78	7.74	2.84	8.11	2.88
	43	6.48	2.60	6.85	2.64	7.22	2.68	7.41	2.70	7.96	2.75	8.33	2.79
	40	6.71	2.51	7.08	2.55	7.44	2.59	7.63	2.61	8.18	2.67	8.55	2.71
	35	7.08	2.35	7.44	2.39	7.81	2.43	8.00	2.45	8.55	2.51	8.92	2.54
	32	7.30	2.29	7.67	2.32	8.04	2.37	8.23	2.38	8.77	2.45	9.15	2.47
	25	7.82	2.09	8.19	2.11	8.56	2.17	8.75	2.18	9.29	2.25	9.67	2.27
	22	8.05	2.00	8.42	2.03	8.79	2.09	8.97	2.09	9.52	2.17	9.89	2.18
18 + 18 + 13	46	6.18	2.67	6.55	2.71	6.91	2.75	7.09	2.77	7.64	2.82	8.01	2.87
	43	6.40	2.59	6.77	2.62	7.13	2.66	7.31	2.69	7.86	2.74	8.23	2.78
	40	6.62	2.50	6.99	2.54	7.35	2.58	7.54	2.60	8.08	2.66	8.45	2.69
	35	6.99	2.34	7.35	2.38	7.72	2.42	7.90	2.44	8.45	2.50	8.81	2.53
	32	7.21	2.28	7.58	2.31	7.94	2.36	8.12	2.37	8.66	2.44	9.04	2.46
	25	7.73	2.08	8.09	2.10	8.46	2.16	8.64	2.17	9.18	2.24	9.55	2.26
	22	7.95	1.99	8.31	2.02	8.68	2.08	8.86	2.08	9.40	2.16	9.77	2.18
22 + 18 + 13	46	6.34	2.67	6.71	2.71	7.09	2.75	7.27	2.77	7.83	2.82	8.21	2.87
	43	6.56	2.59	6.94	2.62	7.31	2.66	7.50	2.69	8.06	2.74	8.43	2.78
	40	6.79	2.50	7.16	2.54	7.54	2.58	7.73	2.60	8.28	2.66	8.66	2.69
	35	7.16	2.34	7.54	2.38	7.91	2.42	8.10	2.44	8.66	2.50	9.03	2.53
	32	7.39	2.28	7.77	2.31	8.14	2.36	8.33	2.37	8.88	2.44	9.26	2.46
	25	7.92	2.08	8.30	2.10	8.67	2.16	8.86	2.17	9.41	2.24	9.79	2.26
	22	8.15	1.99	8.52	2.02	8.90	2.08	9.08	2.08	9.64	2.16	10.02	2.18

Cooling

5 - rooms multisplit : 3 - unit operation

Indoor units : 24 type + 18 type + 13 type

16 type + 16 type + 16 type

TC : Total capacity [kW]

PI : Power input [kW]

Outdoor unit : RAS-5M34U2AVG-E

Combination (Capacity)	Outdoor air temp. [°C DB]	Indoor air temp. [°C WB]											
		14		16		18		19		22		24	
		TC [kW]	PI [kW]	TC [kW]	PI [kW]	TC [kW]	PI [kW]	TC [kW]	PI [kW]	TC [kW]	PI [kW]	TC [kW]	PI [kW]
24 + 18 + 13	46	6.34	2.67	6.71	2.71	7.09	2.75	7.27	2.77	7.83	2.82	8.21	2.87
	43	6.56	2.59	6.94	2.62	7.31	2.66	7.50	2.69	8.06	2.74	8.43	2.78
	40	6.79	2.50	7.16	2.54	7.54	2.58	7.73	2.60	8.28	2.66	8.66	2.69
	35	7.16	2.34	7.54	2.38	7.91	2.42	8.10	2.44	8.66	2.50	9.03	2.53
	32	7.39	2.28	7.77	2.31	8.14	2.36	8.33	2.37	8.88	2.44	9.26	2.46
	25	7.92	2.08	8.30	2.10	8.67	2.16	8.86	2.17	9.41	2.24	9.79	2.26
	22	8.15	1.99	8.52	2.02	8.90	2.08	9.08	2.08	9.64	2.16	10.02	2.18
16 + 16 + 16	46	6.26	2.68	6.63	2.72	7.00	2.76	7.18	2.78	7.74	2.84	8.11	2.88
	43	6.48	2.60	6.85	2.64	7.22	2.68	7.41	2.70	7.96	2.75	8.33	2.79
	40	6.71	2.51	7.08	2.55	7.44	2.59	7.63	2.61	8.18	2.67	8.55	2.71
	35	7.08	2.35	7.44	2.39	7.81	2.43	8.00	2.45	8.55	2.51	8.92	2.54
	32	7.30	2.29	7.67	2.32	8.04	2.37	8.23	2.38	8.77	2.45	9.15	2.47
	25	7.82	2.09	8.19	2.11	8.56	2.17	8.75	2.18	9.29	2.25	9.67	2.27
	22	8.05	2.00	8.42	2.03	8.79	2.09	8.97	2.09	9.52	2.17	9.89	2.18

Cooling

5 - rooms multisplit : 4 - unit operation

Indoor units : 05 type + 05 type + 05 type + 05 type
 07 type + 05 type + 05 type + 05 type
 10 type + 05 type + 05 type + 05 type
 13 type + 05 type + 05 type + 05 type

16 type + 05 type + 05 type + 05 type
 22 type + 05 type + 05 type + 05 type
 24 type + 05 type + 05 type + 05 type

TC : Total capacity [kW]
 PI : Power input [kW]

Outdoor unit : RAS-5M34U2AVG-E

Combination (Capacity)	Outdoor air temp. [°C DB]	Indoor air temp. [°C WB]											
		14		16		18		19		22		24	
		TC [kW]	PI [kW]	TC [kW]	PI [kW]	TC [kW]	PI [kW]	TC [kW]	PI [kW]	TC [kW]	PI [kW]	TC [kW]	PI [kW]
05 + 05 + 05 + 05	46	4.69	2.03	4.97	2.06	5.25	2.08	5.39	2.10	5.80	2.14	6.08	2.17
	43	4.86	1.96	5.14	1.99	5.42	2.02	5.56	2.04	5.97	2.08	6.25	2.11
	40	5.03	1.90	5.31	1.92	5.58	1.96	5.72	1.97	6.14	2.02	6.42	2.04
	35	5.31	1.78	5.58	1.81	5.86	1.83	6.00	1.85	6.41	1.89	6.69	1.92
	32	5.48	1.73	5.75	1.75	6.03	1.79	6.17	1.80	6.58	1.85	6.86	1.87
	25	5.87	1.58	6.15	1.60	6.42	1.64	6.56	1.64	6.97	1.70	7.25	1.71
	22	6.04	1.51	6.31	1.53	6.59	1.58	6.73	1.58	7.14	1.64	7.42	1.65
07 + 05 + 05 + 05	46	5.09	2.19	5.39	2.22	5.69	2.25	5.84	2.27	6.29	2.32	6.59	2.35
	43	5.27	2.12	5.57	2.15	5.87	2.18	6.02	2.20	6.47	2.25	6.77	2.28
	40	5.45	2.05	5.75	2.08	6.05	2.12	6.20	2.13	6.65	2.18	6.95	2.21
	35	5.75	1.92	6.05	1.95	6.35	1.98	6.50	2.00	6.95	2.05	7.25	2.08
	32	5.93	1.87	6.23	1.89	6.53	1.93	6.68	1.94	7.13	2.00	7.43	2.02
	25	6.36	1.70	6.66	1.72	6.96	1.77	7.11	1.78	7.55	1.84	7.86	1.85
	22	6.54	1.63	6.84	1.65	7.14	1.71	7.29	1.70	7.73	1.77	8.04	1.78
10 + 05 + 05 + 05	46	5.63	2.41	5.97	2.44	6.30	2.48	6.47	2.50	6.96	2.55	7.30	2.59
	43	5.83	2.33	6.17	2.37	6.50	2.40	6.67	2.42	7.16	2.47	7.50	2.51
	40	6.04	2.26	6.37	2.29	6.70	2.33	6.87	2.34	7.36	2.40	7.70	2.43
	35	6.37	2.11	6.70	2.15	7.03	2.18	7.20	2.20	7.70	2.25	8.03	2.29
	32	6.57	2.05	6.90	2.08	7.24	2.13	7.40	2.14	7.90	2.20	8.23	2.22
	25	7.04	1.87	7.37	1.90	7.71	1.95	7.87	1.95	8.36	2.02	8.70	2.04
	22	7.24	1.80	7.58	1.82	7.91	1.88	8.07	1.88	8.56	1.94	8.91	1.96
13 + 05 + 05 + 05	46	6.42	2.85	6.79	2.89	7.17	2.93	7.36	2.95	7.93	3.01	8.31	3.06
	43	6.65	2.76	7.02	2.80	7.40	2.84	7.59	2.86	8.16	2.92	8.54	2.96
	40	6.87	2.67	7.25	2.70	7.63	2.75	7.82	2.77	8.39	2.83	8.77	2.87
	35	7.25	2.50	7.63	2.54	8.01	2.58	8.20	2.60	8.77	2.66	9.15	2.70
	32	7.48	2.43	7.86	2.46	8.24	2.51	8.43	2.52	8.99	2.59	9.38	2.62
	25	8.02	2.22	8.40	2.24	8.78	2.31	8.97	2.31	9.53	2.39	9.91	2.41
	22	8.25	2.13	8.63	2.15	9.01	2.22	9.20	2.22	9.75	2.30	10.14	2.32
16 + 05 + 05 + 05	46	6.89	2.96	7.29	3.00	7.70	3.04	7.90	3.07	8.51	3.13	8.92	3.17
	43	7.13	2.86	7.54	2.90	7.94	2.95	8.15	2.97	8.75	3.03	9.16	3.08
	40	7.38	2.77	7.78	2.81	8.19	2.86	8.39	2.88	9.00	2.94	9.41	2.98
	35	7.78	2.59	8.19	2.64	8.60	2.68	8.80	2.70	9.41	2.76	9.81	2.80
	32	8.03	2.52	8.44	2.55	8.85	2.61	9.05	2.62	9.65	2.69	10.06	2.73
	25	8.61	2.30	9.01	2.33	9.42	2.39	9.62	2.40	10.22	2.48	10.64	2.50
	22	8.85	2.21	9.26	2.23	9.67	2.30	9.87	2.30	10.47	2.39	10.88	2.41
18 + 05 + 05 + 05	46	6.89	2.96	7.29	3.00	7.70	3.04	7.90	3.07	8.51	3.13	8.92	3.17
	43	7.13	2.86	7.54	2.90	7.94	2.95	8.15	2.97	8.75	3.03	9.16	3.08
	40	7.38	2.77	7.78	2.81	8.19	2.86	8.39	2.88	9.00	2.94	9.41	2.98
	35	7.78	2.59	8.19	2.64	8.60	2.68	8.80	2.70	9.41	2.76	9.81	2.80
	32	8.03	2.52	8.44	2.55	8.85	2.61	9.05	2.62	9.65	2.69	10.06	2.73
	25	8.61	2.30	9.01	2.33	9.42	2.39	9.62	2.40	10.22	2.48	10.64	2.50
	22	8.85	2.21	9.26	2.23	9.67	2.30	9.87	2.30	10.47	2.39	10.88	2.41
22 + 05 + 05 + 05	46	6.96	2.98	7.37	3.02	7.78	3.06	7.99	3.09	8.61	3.15	9.02	3.20
	43	7.21	2.89	7.62	2.93	8.03	2.97	8.24	2.99	8.85	3.06	9.27	3.10
	40	7.46	2.79	7.87	2.83	8.28	2.88	8.49	2.90	9.10	2.96	9.52	3.00
	35	7.87	2.61	8.28	2.66	8.69	2.70	8.90	2.72	9.52	2.78	9.93	2.83
	32	8.12	2.54	8.53	2.57	8.95	2.63	9.15	2.64	9.76	2.71	10.18	2.75
	25	8.70	2.32	9.12	2.35	9.53	2.41	9.73	2.42	10.34	2.50	10.76	2.52
	22	8.95	2.22	9.36	2.25	9.78	2.32	9.98	2.32	10.59	2.40	11.01	2.42
24 + 05 + 05 + 05	46	6.96	2.98	7.37	3.02	7.78	3.06	7.99	3.09	8.61	3.15	9.02	3.20
	43	7.21	2.89	7.62	2.93	8.03	2.97	8.24	2.99	8.85	3.06	9.27	3.10
	40	7.46	2.79	7.87	2.83	8.28	2.88	8.49	2.90	9.10	2.96	9.52	3.00
	35	7.87	2.61	8.28	2.66	8.69	2.70	8.90	2.72	9.52	2.78	9.93	2.83
	32	8.12	2.54	8.53	2.57	8.95	2.63	9.15	2.64	9.76	2.71	10.18	2.75
	25	8.70	2.32	9.12	2.35	9.53	2.41	9.73	2.42	10.34	2.50	10.76	2.52
	22	8.95	2.22	9.36	2.25	9.78	2.32	9.98	2.32	10.59	2.40	11.01	2.42

Cooling

5 - rooms multisplit : 4 - unit operation

Indoor units : 07 type + 07 type + 05 type + 05 type
 10 type + 07 type + 05 type + 05 type
 13 type + 07 type + 05 type + 05 type
 16 type + 07 type + 05 type + 05 type

18 type + 07 type + 05 type + 05 type
 22 type + 07 type + 05 type + 05 type
 24 type + 07 type + 05 type + 05 type
 10 type + 10 type + 05 type + 05 type

TC : Total capacity [kW]
 PI : Power input [kW]

Outdoor unit : RAS-5M34U2AVG-E

Combination (Capacity)	Outdoor air temp. [°C DB]	Indoor air temp. [°C WB]											
		14		16		18		19		22		24	
		TC [kW]	PI [kW]	TC [kW]	PI [kW]	TC [kW]	PI [kW]	TC [kW]	PI [kW]	TC [kW]	PI [kW]	TC [kW]	PI [kW]
07 + 07 + 05 + 05	46	5.48	2.30	5.80	2.33	6.12	2.37	6.29	2.39	6.77	2.43	7.09	2.47
	43	5.67	2.23	6.00	2.26	6.32	2.29	6.48	2.31	6.96	2.36	7.29	2.39
	40	5.87	2.15	6.19	2.18	6.51	2.22	6.68	2.24	7.16	2.29	7.48	2.32
	35	6.19	2.02	6.51	2.05	6.84	2.08	7.00	2.10	7.48	2.15	7.81	2.18
	32	6.39	1.96	6.71	1.99	7.04	2.03	7.20	2.04	7.68	2.10	8.01	2.12
	25	6.85	1.79	7.17	1.81	7.49	1.86	7.66	1.86	8.13	1.93	8.46	1.95
10 + 07 + 05 + 05	46	6.02	2.52	6.38	2.56	6.74	2.59	6.91	2.61	7.45	2.66	7.80	2.70
	43	6.24	2.44	6.60	2.47	6.95	2.51	7.13	2.53	7.66	2.58	8.02	2.62
	40	6.45	2.36	6.81	2.39	7.17	2.43	7.34	2.45	7.87	2.51	8.23	2.54
	35	6.81	2.21	7.17	2.25	7.52	2.28	7.70	2.30	8.23	2.35	8.59	2.39
	32	7.03	2.15	7.38	2.17	7.74	2.22	7.92	2.23	8.45	2.30	8.81	2.32
	25	7.53	1.96	7.89	1.98	8.24	2.04	8.42	2.04	8.95	2.11	9.31	2.13
13 + 07 + 05 + 05	46	6.81	2.96	7.21	3.00	7.61	3.04	7.81	3.07	8.41	3.13	8.82	3.17
	43	7.05	2.86	7.45	2.90	7.85	2.95	8.06	2.97	8.65	3.03	9.06	3.08
	40	7.29	2.77	7.69	2.81	8.10	2.86	8.30	2.88	8.90	2.94	9.30	2.98
	35	7.69	2.59	8.10	2.64	8.50	2.68	8.70	2.70	9.30	2.76	9.70	2.80
	32	7.94	2.52	8.34	2.55	8.75	2.61	8.95	2.62	9.54	2.69	9.95	2.73
	25	8.51	2.30	8.91	2.33	9.31	2.39	9.51	2.40	10.11	2.48	10.52	2.50
16 + 07 + 05 + 05	46	7.04	3.00	7.46	3.05	7.87	3.09	8.08	3.11	8.70	3.17	9.12	3.22
	43	7.29	2.91	7.71	2.95	8.12	2.99	8.33	3.02	8.95	3.08	9.37	3.12
	40	7.54	2.81	7.96	2.85	8.38	2.90	8.58	2.92	9.20	2.98	9.62	3.03
	35	7.96	2.63	8.38	2.67	8.79	2.72	9.00	2.74	9.62	2.80	10.04	2.85
	32	8.21	2.56	8.63	2.59	9.05	2.65	9.26	2.66	9.87	2.73	10.29	2.77
	25	8.80	2.34	9.22	2.36	9.63	2.43	9.84	2.43	10.46	2.52	10.88	2.54
18 + 07 + 05 + 05	46	6.89	2.96	7.29	3.00	7.70	3.04	7.90	3.07	8.51	3.13	8.92	3.17
	43	7.13	2.86	7.54	2.90	7.94	2.95	8.15	2.97	8.75	3.03	9.16	3.08
	40	7.38	2.77	7.78	2.81	8.19	2.86	8.39	2.88	9.00	2.94	9.41	2.98
	35	7.78	2.59	8.19	2.64	8.60	2.68	8.80	2.70	9.41	2.76	9.81	2.80
	32	8.03	2.52	8.44	2.55	8.85	2.61	9.05	2.62	9.65	2.69	10.06	2.73
	25	8.61	2.30	9.01	2.33	9.42	2.39	9.62	2.40	10.22	2.48	10.64	2.50
22 + 07 + 05 + 05	46	6.96	2.98	7.37	3.02	7.78	3.06	7.99	3.09	8.61	3.15	9.02	3.20
	43	7.21	2.89	7.62	2.93	8.03	2.97	8.24	2.99	8.85	3.06	9.27	3.10
	40	7.46	2.79	7.87	2.83	8.28	2.88	8.49	2.90	9.10	2.96	9.52	3.00
	35	7.87	2.61	8.28	2.66	8.69	2.70	8.90	2.72	9.52	2.78	9.93	2.83
	32	8.12	2.54	8.53	2.57	8.95	2.63	9.15	2.64	9.76	2.71	10.18	2.75
	25	8.70	2.32	9.12	2.35	9.53	2.41	9.73	2.42	10.34	2.50	10.76	2.52
24 + 07 + 05 + 05	46	7.04	3.00	7.46	3.05	7.87	3.09	8.08	3.11	8.70	3.17	9.12	3.22
	43	7.29	2.91	7.71	2.95	8.12	2.99	8.33	3.02	8.95	3.08	9.37	3.12
	40	7.54	2.81	7.96	2.85	8.38	2.90	8.58	2.92	9.20	2.98	9.62	3.03
	35	7.96	2.63	8.38	2.67	8.79	2.72	9.00	2.74	9.62	2.80	10.04	2.85
	32	8.21	2.56	8.63	2.59	9.05	2.65	9.26	2.66	9.87	2.73	10.29	2.77
	25	8.80	2.34	9.22	2.36	9.63	2.43	9.84	2.43	10.46	2.52	10.88	2.54
10 + 10 + 05 + 05	46	6.57	2.85	6.96	2.89	7.35	2.93	7.54	2.95	8.12	3.01	8.51	3.06
	43	6.81	2.76	7.19	2.80	7.58	2.84	7.78	2.86	8.36	2.92	8.75	2.96
	40	7.04	2.67	7.43	2.70	7.82	2.75	8.01	2.77	8.59	2.83	8.98	2.87
	35	7.43	2.50	7.82	2.54	8.20	2.58	8.40	2.60	8.98	2.66	9.37	2.70
	32	7.67	2.43	8.06	2.46	8.44	2.51	8.64	2.52	9.21	2.59	9.61	2.62
	25	8.21	2.22	8.60	2.24	8.99	2.31	9.19	2.31	9.76	2.39	10.15	2.41
22	8.45	2.13	8.84	2.15	9.23	2.22	9.42	2.22	9.99	2.30	10.39	2.32	

Cooling

5 - rooms multisplit : 4 - unit operation

Indoor units : 13 type + 10 type + 05 type + 05 type
 16 type + 10 type + 05 type + 05 type
 18 type + 10 type + 05 type + 05 type
 22 type + 10 type + 05 type + 05 type

24 type + 10 type + 05 type + 05 type
 13 type + 13 type + 05 type + 05 type
 16 type + 13 type + 05 type + 05 type
 18 type + 13 type + 05 type + 05 type

TC : Total capacity [kW]
 PI : Power input [kW]

Outdoor unit : RAS-5M34U2AVG-E

Combination (Capacity)	Outdoor air temp. [°C DB]	Indoor air temp. [°C WB]											
		14		16		18		19		22		24	
		TC [kW]	PI [kW]	TC [kW]	PI [kW]	TC [kW]	PI [kW]	TC [kW]	PI [kW]	TC [kW]	PI [kW]	TC [kW]	PI [kW]
13 + 10 + 05 + 05	46	6.89	2.96	7.29	3.00	7.70	3.04	7.90	3.07	8.51	3.13	8.92	3.17
	43	7.13	2.86	7.54	2.90	7.94	2.95	8.15	2.97	8.75	3.03	9.16	3.08
	40	7.38	2.77	7.78	2.81	8.19	2.86	8.39	2.88	9.00	2.94	9.41	2.98
	35	7.78	2.59	8.19	2.64	8.60	2.68	8.80	2.70	9.41	2.76	9.81	2.80
	32	8.03	2.52	8.44	2.55	8.85	2.61	9.05	2.62	9.65	2.69	10.06	2.73
	25	8.61	2.30	9.01	2.33	9.42	2.39	9.62	2.40	10.22	2.48	10.64	2.50
16 + 10 + 05 + 05	46	6.96	2.98	7.37	3.02	7.78	3.06	7.99	3.09	8.61	3.15	9.02	3.20
	43	7.21	2.89	7.62	2.93	8.03	2.97	8.24	2.99	8.85	3.06	9.27	3.10
	40	7.46	2.79	7.87	2.83	8.28	2.88	8.49	2.90	9.10	2.96	9.52	3.00
	35	7.87	2.61	8.28	2.66	8.69	2.70	8.90	2.72	9.52	2.78	9.93	2.83
	32	8.12	2.54	8.53	2.57	8.95	2.63	9.15	2.64	9.76	2.71	10.18	2.75
	25	8.70	2.32	9.12	2.35	9.53	2.41	9.73	2.42	10.34	2.50	10.76	2.52
18 + 10 + 05 + 05	46	6.96	2.98	7.37	3.02	7.78	3.06	7.99	3.09	8.61	3.15	9.02	3.20
	43	7.21	2.89	7.62	2.93	8.03	2.97	8.24	2.99	8.85	3.06	9.27	3.10
	40	7.46	2.79	7.87	2.83	8.28	2.88	8.49	2.90	9.10	2.96	9.52	3.00
	35	7.87	2.61	8.28	2.66	8.69	2.70	8.90	2.72	9.52	2.78	9.93	2.83
	32	8.12	2.54	8.53	2.57	8.95	2.63	9.15	2.64	9.76	2.71	10.18	2.75
	25	8.70	2.32	9.12	2.35	9.53	2.41	9.73	2.42	10.34	2.50	10.76	2.52
22 + 10 + 05 + 05	46	7.04	3.00	7.46	3.05	7.87	3.09	8.08	3.11	8.70	3.17	9.12	3.22
	43	7.29	2.91	7.71	2.95	8.12	2.99	8.33	3.02	8.95	3.08	9.37	3.12
	40	7.54	2.81	7.96	2.85	8.38	2.90	8.58	2.92	9.20	2.98	9.62	3.03
	35	7.96	2.63	8.38	2.67	8.79	2.72	9.00	2.74	9.62	2.80	10.04	2.85
	32	8.21	2.56	8.63	2.59	9.05	2.65	9.26	2.66	9.87	2.73	10.29	2.77
	25	8.80	2.34	9.22	2.36	9.63	2.43	9.84	2.43	10.46	2.52	10.88	2.54
24 + 10 + 05 + 05	46	7.04	3.00	7.46	3.05	7.87	3.09	8.08	3.11	8.70	3.17	9.12	3.22
	43	7.29	2.91	7.71	2.95	8.12	2.99	8.33	3.02	8.95	3.08	9.37	3.12
	40	7.54	2.81	7.96	2.85	8.38	2.90	8.58	2.92	9.20	2.98	9.62	3.03
	35	7.96	2.63	8.38	2.67	8.79	2.72	9.00	2.74	9.62	2.80	10.04	2.85
	32	8.21	2.56	8.63	2.59	9.05	2.65	9.26	2.66	9.87	2.73	10.29	2.77
	25	8.80	2.34	9.22	2.36	9.63	2.43	9.84	2.43	10.46	2.52	10.88	2.54
13 + 13 + 05 + 05	46	6.96	2.98	7.37	3.02	7.78	3.06	7.99	3.09	8.61	3.15	9.02	3.20
	43	7.21	2.89	7.62	2.93	8.03	2.97	8.24	2.99	8.85	3.06	9.27	3.10
	40	7.46	2.79	7.87	2.83	8.28	2.88	8.49	2.90	9.10	2.96	9.52	3.00
	35	7.87	2.61	8.28	2.66	8.69	2.70	8.90	2.72	9.52	2.78	9.93	2.83
	32	8.12	2.54	8.53	2.57	8.95	2.63	9.15	2.64	9.76	2.71	10.18	2.75
	25	8.70	2.32	9.12	2.35	9.53	2.41	9.73	2.42	10.34	2.50	10.76	2.52
16 + 13 + 05 + 05	46	6.89	2.96	7.29	3.00	7.70	3.04	7.90	3.07	8.51	3.13	8.92	3.17
	43	7.13	2.86	7.54	2.90	7.94	2.95	8.15	2.97	8.75	3.03	9.16	3.08
	40	7.38	2.77	7.78	2.81	8.19	2.86	8.39	2.88	9.00	2.94	9.41	2.98
	35	7.78	2.59	8.19	2.64	8.60	2.68	8.80	2.70	9.41	2.76	9.81	2.80
	32	8.03	2.52	8.44	2.55	8.85	2.61	9.05	2.62	9.65	2.69	10.06	2.73
	25	8.61	2.30	9.01	2.33	9.42	2.39	9.62	2.40	10.22	2.48	10.64	2.50
18 + 13 + 05 + 05	46	7.04	3.00	7.46	3.05	7.87	3.09	8.08	3.11	8.70	3.17	9.12	3.22
	43	7.29	2.91	7.71	2.95	8.12	2.99	8.33	3.02	8.95	3.08	9.37	3.12
	40	7.54	2.81	7.96	2.85	8.38	2.90	8.58	2.92	9.20	2.98	9.62	3.03
	35	7.96	2.63	8.38	2.67	8.79	2.72	9.00	2.74	9.62	2.80	10.04	2.85
	32	8.21	2.56	8.63	2.59	9.05	2.65	9.26	2.66	9.87	2.73	10.29	2.77
	25	8.80	2.34	9.22	2.36	9.63	2.43	9.84	2.43	10.46	2.52	10.88	2.54

Cooling

5 - rooms multisplit : 4 - unit operation

Indoor units : 22 type + 13 type + 05 type + 05 type
 24 type + 13 type + 05 type + 05 type
 16 type + 16 type + 05 type + 05 type
 18 type + 16 type + 05 type + 05 type

22 type + 16 type + 05 type + 05 type
 24 type + 16 type + 05 type + 05 type
 18 type + 18 type + 05 type + 05 type
 22 type + 18 type + 05 type + 05 type

TC : Total capacity [kW]
 PI : Power input [kW]

Outdoor unit : RAS-5M34U2AVG-E

Combination (Capacity)	Outdoor air temp. [°C DB]	Indoor air temp. [°C WB]											
		14		16		18		19		22		24	
		TC [kW]	PI [kW]	TC [kW]	PI [kW]	TC [kW]	PI [kW]	TC [kW]	PI [kW]	TC [kW]	PI [kW]	TC [kW]	PI [kW]
22 + 13 + 05 + 05	46	7.04	3.00	7.46	3.05	7.87	3.09	8.08	3.11	8.70	3.17	9.12	3.22
	43	7.29	2.91	7.71	2.95	8.12	2.99	8.33	3.02	8.95	3.08	9.37	3.12
	40	7.54	2.81	7.96	2.85	8.38	2.90	8.58	2.92	9.20	2.98	9.62	3.03
	35	7.96	2.63	8.38	2.67	8.79	2.72	9.00	2.74	9.62	2.80	10.04	2.85
	32	8.21	2.56	8.63	2.59	9.05	2.65	9.26	2.66	9.87	2.73	10.29	2.77
	25	8.80	2.34	9.22	2.36	9.63	2.43	9.84	2.43	10.46	2.52	10.88	2.54
	22	9.05	2.24	9.47	2.27	9.89	2.34	10.09	2.34	10.71	2.42	11.13	2.44
24 + 13 + 05 + 05	46	7.04	3.00	7.46	3.05	7.87	3.09	8.08	3.11	8.70	3.17	9.12	3.22
	43	7.29	2.91	7.71	2.95	8.12	2.99	8.33	3.02	8.95	3.08	9.37	3.12
	40	7.54	2.81	7.96	2.85	8.38	2.90	8.58	2.92	9.20	2.98	9.62	3.03
	35	7.96	2.63	8.38	2.67	8.79	2.72	9.00	2.74	9.62	2.80	10.04	2.85
	32	8.21	2.56	8.63	2.59	9.05	2.65	9.26	2.66	9.87	2.73	10.29	2.77
	25	8.80	2.34	9.22	2.36	9.63	2.43	9.84	2.43	10.46	2.52	10.88	2.54
	22	9.05	2.24	9.47	2.27	9.89	2.34	10.09	2.34	10.71	2.42	11.13	2.44
16 + 16 + 05 + 05	46	7.04	3.00	7.46	3.05	7.87	3.09	8.08	3.11	8.70	3.17	9.12	3.22
	43	7.29	2.91	7.71	2.95	8.12	2.99	8.33	3.02	8.95	3.08	9.37	3.12
	40	7.54	2.81	7.96	2.85	8.38	2.90	8.58	2.92	9.20	2.98	9.62	3.03
	35	7.96	2.63	8.38	2.67	8.79	2.72	9.00	2.74	9.62	2.80	10.04	2.85
	32	8.21	2.56	8.63	2.59	9.05	2.65	9.26	2.66	9.87	2.73	10.29	2.77
	25	8.80	2.34	9.22	2.36	9.63	2.43	9.84	2.43	10.46	2.52	10.88	2.54
	22	9.05	2.24	9.47	2.27	9.89	2.34	10.09	2.34	10.71	2.42	11.13	2.44
18 + 16 + 05 + 05	46	7.04	3.00	7.46	3.05	7.87	3.09	8.08	3.11	8.70	3.17	9.12	3.22
	43	7.29	2.91	7.71	2.95	8.12	2.99	8.33	3.02	8.95	3.08	9.37	3.12
	40	7.54	2.81	7.96	2.85	8.38	2.90	8.58	2.92	9.20	2.98	9.62	3.03
	35	7.96	2.63	8.38	2.67	8.79	2.72	9.00	2.74	9.62	2.80	10.04	2.85
	32	8.21	2.56	8.63	2.59	9.05	2.65	9.26	2.66	9.87	2.73	10.29	2.77
	25	8.80	2.34	9.22	2.36	9.63	2.43	9.84	2.43	10.46	2.52	10.88	2.54
	22	9.05	2.24	9.47	2.27	9.89	2.34	10.09	2.34	10.71	2.42	11.13	2.44
22 + 16 + 05 + 05	46	7.04	3.00	7.46	3.05	7.87	3.09	8.08	3.11	8.70	3.17	9.12	3.22
	43	7.29	2.91	7.71	2.95	8.12	2.99	8.33	3.02	8.95	3.08	9.37	3.12
	40	7.54	2.81	7.96	2.85	8.38	2.90	8.58	2.92	9.20	2.98	9.62	3.03
	35	7.96	2.63	8.38	2.67	8.79	2.72	9.00	2.74	9.62	2.80	10.04	2.85
	32	8.21	2.56	8.63	2.59	9.05	2.65	9.26	2.66	9.87	2.73	10.29	2.77
	25	8.80	2.34	9.22	2.36	9.63	2.43	9.84	2.43	10.46	2.52	10.88	2.54
	22	9.05	2.24	9.47	2.27	9.89	2.34	10.09	2.34	10.71	2.42	11.13	2.44
24 + 16 + 05 + 05	46	7.04	3.00	7.46	3.05	7.87	3.09	8.08	3.11	8.70	3.17	9.12	3.22
	43	7.29	2.91	7.71	2.95	8.12	2.99	8.33	3.02	8.95	3.08	9.37	3.12
	40	7.54	2.81	7.96	2.85	8.38	2.90	8.58	2.92	9.20	2.98	9.62	3.03
	35	7.96	2.63	8.38	2.67	8.79	2.72	9.00	2.74	9.62	2.80	10.04	2.85
	32	8.21	2.56	8.63	2.59	9.05	2.65	9.26	2.66	9.87	2.73	10.29	2.77
	25	8.80	2.34	9.22	2.36	9.63	2.43	9.84	2.43	10.46	2.52	10.88	2.54
	22	9.05	2.24	9.47	2.27	9.89	2.34	10.09	2.34	10.71	2.42	11.13	2.44
18 + 18 + 05 + 05	46	7.04	3.00	7.46	3.05	7.87	3.09	8.08	3.11	8.70	3.17	9.12	3.22
	43	7.29	2.91	7.71	2.95	8.12	2.99	8.33	3.02	8.95	3.08	9.37	3.12
	40	7.54	2.81	7.96	2.85	8.38	2.90	8.58	2.92	9.20	2.98	9.62	3.03
	35	7.96	2.63	8.38	2.67	8.79	2.72	9.00	2.74	9.62	2.80	10.04	2.85
	32	8.21	2.56	8.63	2.59	9.05	2.65	9.26	2.66	9.87	2.73	10.29	2.77
	25	8.80	2.34	9.22	2.36	9.63	2.43	9.84	2.43	10.46	2.52	10.88	2.54
	22	9.05	2.24	9.47	2.27	9.89	2.34	10.09	2.34	10.71	2.42	11.13	2.44
22 + 18 + 05 + 05	46	7.04	3.00	7.46	3.05	7.87	3.09	8.08	3.11	8.70	3.17	9.12	3.22
	43	7.29	2.91	7.71	2.95	8.12	2.99	8.33	3.02	8.95	3.08	9.37	3.12
	40	7.54	2.81	7.96	2.85	8.38	2.90	8.58	2.92	9.20	2.98	9.62	3.03
	35	7.96	2.63	8.38	2.67	8.79	2.72	9.00	2.74	9.62	2.80	10.04	2.85
	32	8.21	2.56	8.63	2.59	9.05	2.65	9.26	2.66	9.87	2.73	10.29	2.77
	25	8.80	2.34	9.22	2.36	9.63	2.43	9.84	2.43	10.46	2.52	10.88	2.54
	22	9.05	2.24	9.47	2.27	9.89	2.34	10.09	2.34	10.71	2.42	11.13	2.44

Cooling

5 - rooms multisplit : 4 - unit operation

Indoor units : 24 type + 18 type + 05 type + 05 type
 22 type + 22 type + 05 type + 05 type
 07 type + 07 type + 07 type + 05 type
 10 type + 07 type + 07 type + 05 type

13 type + 07 type + 07 type + 05 type
 16 type + 07 type + 07 type + 05 type
 18 type + 07 type + 07 type + 05 type
 22 type + 07 type + 07 type + 05 type

TC : Total capacity [kW]
 PI : Power input [kW]

Outdoor unit : RAS-5M34U2AVG-E

Combination (Capacity)	Outdoor air temp. [°C DB]	Indoor air temp. [°C WB]											
		14		16		18		19		22		24	
		TC [kW]	PI [kW]	TC [kW]	PI [kW]	TC [kW]	PI [kW]	TC [kW]	PI [kW]	TC [kW]	PI [kW]	TC [kW]	PI [kW]
24 + 18 + 05 + 05	46	7.04	3.00	7.46	3.05	7.87	3.09	8.08	3.11	8.70	3.17	9.12	3.22
	43	7.29	2.91	7.71	2.95	8.12	2.99	8.33	3.02	8.95	3.08	9.37	3.12
	40	7.54	2.81	7.96	2.85	8.38	2.90	8.58	2.92	9.20	2.98	9.62	3.03
	35	7.96	2.63	8.38	2.67	8.79	2.72	9.00	2.74	9.62	2.80	10.04	2.85
	32	8.21	2.56	8.63	2.59	9.05	2.65	9.26	2.66	9.87	2.73	10.29	2.77
	25	8.80	2.34	9.22	2.36	9.63	2.43	9.84	2.43	10.46	2.52	10.88	2.54
	22	9.05	2.24	9.47	2.27	9.89	2.34	10.09	2.34	10.71	2.42	11.13	2.44
22 + 22 + 05 + 05	46	7.04	3.00	7.46	3.05	7.87	3.09	8.08	3.11	8.70	3.17	9.12	3.22
	43	7.29	2.91	7.71	2.95	8.12	2.99	8.33	3.02	8.95	3.08	9.37	3.12
	40	7.54	2.81	7.96	2.85	8.38	2.90	8.58	2.92	9.20	2.98	9.62	3.03
	35	7.96	2.63	8.38	2.67	8.79	2.72	9.00	2.74	9.62	2.80	10.04	2.85
	32	8.21	2.56	8.63	2.59	9.05	2.65	9.26	2.66	9.87	2.73	10.29	2.77
	25	8.80	2.34	9.22	2.36	9.63	2.43	9.84	2.43	10.46	2.52	10.88	2.54
	22	9.05	2.24	9.47	2.27	9.89	2.34	10.09	2.34	10.71	2.42	11.13	2.44
07 + 07 + 07 + 05	46	5.87	2.36	6.21	2.39	6.56	2.42	6.74	2.44	7.25	2.49	7.60	2.53
	43	6.08	2.28	6.42	2.31	6.77	2.35	6.94	2.37	7.46	2.42	7.81	2.45
	40	6.29	2.21	6.63	2.24	6.98	2.27	7.15	2.29	7.67	2.34	8.02	2.37
	35	6.63	2.06	6.98	2.10	7.33	2.13	7.50	2.15	8.02	2.20	8.36	2.23
	32	6.85	2.01	7.19	2.03	7.54	2.08	7.71	2.09	8.23	2.15	8.58	2.17
	25	7.33	1.83	7.68	1.85	8.03	1.91	8.20	1.91	8.71	1.97	9.07	1.99
	22	7.54	1.76	7.89	1.78	8.24	1.83	8.41	1.83	8.92	1.90	9.28	1.92
10 + 07 + 07 + 05	46	6.42	2.79	6.79	2.83	7.17	2.87	7.36	2.90	7.93	2.95	8.31	3.00
	43	6.65	2.71	7.02	2.74	7.40	2.78	7.59	2.81	8.16	2.86	8.54	2.91
	40	6.87	2.62	7.25	2.65	7.63	2.70	7.82	2.72	8.39	2.78	8.77	2.82
	35	7.25	2.45	7.63	2.49	8.01	2.53	8.20	2.55	8.77	2.61	9.15	2.65
	32	7.48	2.38	7.86	2.41	8.24	2.47	8.43	2.48	8.99	2.54	9.38	2.57
	25	8.02	2.17	8.40	2.20	8.78	2.26	8.97	2.26	9.53	2.34	9.91	2.36
	22	8.25	2.08	8.63	2.11	9.01	2.17	9.20	2.17	9.75	2.25	10.14	2.27
13 + 07 + 07 + 05	46	6.89	2.96	7.29	3.00	7.70	3.04	7.90	3.07	8.51	3.13	8.92	3.17
	43	7.13	2.86	7.54	2.90	7.94	2.95	8.15	2.97	8.75	3.03	9.16	3.08
	40	7.38	2.77	7.78	2.81	8.19	2.86	8.39	2.88	9.00	2.94	9.41	2.98
	35	7.78	2.59	8.19	2.64	8.60	2.68	8.80	2.70	9.41	2.76	9.81	2.80
	32	8.03	2.52	8.44	2.55	8.85	2.61	9.05	2.62	9.65	2.69	10.06	2.73
	25	8.61	2.30	9.01	2.33	9.42	2.39	9.62	2.40	10.22	2.48	10.64	2.50
	22	8.85	2.21	9.26	2.23	9.67	2.30	9.87	2.30	10.47	2.39	10.88	2.41
16 + 07 + 07 + 05	46	6.96	2.99	7.37	3.03	7.78	3.07	7.99	3.10	8.61	3.16	9.02	3.21
	43	7.21	2.90	7.62	2.94	8.03	2.98	8.24	3.01	8.85	3.07	9.27	3.11
	40	7.46	2.80	7.87	2.84	8.28	2.89	8.49	2.91	9.10	2.97	9.52	3.01
	35	7.87	2.62	8.28	2.66	8.69	2.71	8.90	2.73	9.52	2.79	9.93	2.84
	32	8.12	2.55	8.53	2.58	8.95	2.64	9.15	2.65	9.76	2.72	10.18	2.76
	25	8.70	2.33	9.12	2.35	9.53	2.42	9.73	2.42	10.34	2.51	10.76	2.53
	22	8.95	2.23	9.36	2.26	9.78	2.33	9.98	2.33	10.59	2.41	11.01	2.43
18 + 07 + 07 + 05	46	7.04	3.00	7.46	3.05	7.87	3.09	8.08	3.11	8.70	3.17	9.12	3.22
	43	7.29	2.91	7.71	2.95	8.12	2.99	8.33	3.02	8.95	3.08	9.37	3.12
	40	7.54	2.81	7.96	2.85	8.38	2.90	8.58	2.92	9.20	2.98	9.62	3.03
	35	7.96	2.63	8.38	2.67	8.79	2.72	9.00	2.74	9.62	2.80	10.04	2.85
	32	8.21	2.56	8.63	2.59	9.05	2.65	9.26	2.66	9.87	2.73	10.29	2.77
	25	8.80	2.34	9.22	2.36	9.63	2.43	9.84	2.43	10.46	2.52	10.88	2.54
	22	9.05	2.24	9.47	2.27	9.89	2.34	10.09	2.34	10.71	2.42	11.13	2.44
22 + 07 + 07 + 05	46	7.04	3.00	7.46	3.05	7.87	3.09	8.08	3.11	8.70	3.17	9.12	3.22
	43	7.29	2.91	7.71	2.95	8.12	2.99	8.33	3.02	8.95	3.08	9.37	3.12
	40	7.54	2.81	7.96	2.85	8.38	2.90	8.58	2.92	9.20	2.98	9.62	3.03
	35	7.96	2.63	8.38	2.67	8.79	2.72	9.00	2.74	9.62	2.80	10.04	2.85
	32	8.21	2.56	8.63	2.59	9.05	2.65	9.26	2.66	9.87	2.73	10.29	2.77
	25	8.80	2.34	9.22	2.36	9.63	2.43	9.84	2.43	10.46	2.52	10.88	2.54
	22	9.05	2.24	9.47	2.27	9.89	2.34	10.09	2.34	10.71	2.42	11.13	2.44

Cooling

5 - rooms multisplit : 4 - unit operation

Indoor units : 24 type + 07 type + 07 type + 05 type
 10 type + 07 type + 07 type + 05 type
 13 type + 10 type + 07 type + 05 type
 16 type + 10 type + 07 type + 05 type

18 type + 10 type + 07 type + 05 type
 22 type + 10 type + 07 type + 05 type
 24 type + 10 type + 07 type + 05 type
 13 type + 13 type + 07 type + 05 type

TC : Total capacity [kW]
 PI : Power input [kW]

Outdoor unit : RAS-5M34U2AVG-E

Combination (Capacity)	Outdoor air temp. [°C DB]	Indoor air temp. [°C WB]											
		14		16		18		19		22		24	
		TC [kW]	PI [kW]	TC [kW]	PI [kW]	TC [kW]	PI [kW]	TC [kW]	PI [kW]	TC [kW]	PI [kW]	TC [kW]	PI [kW]
24 + 07 + 07 + 05	46	7.04	3.00	7.46	3.05	7.87	3.09	8.08	3.11	8.70	3.17	9.12	3.22
	43	7.29	2.91	7.71	2.95	8.12	2.99	8.33	3.02	8.95	3.08	9.37	3.12
	40	7.54	2.81	7.96	2.85	8.38	2.90	8.58	2.92	9.20	2.98	9.62	3.03
	35	7.96	2.63	8.38	2.67	8.79	2.72	9.00	2.74	9.62	2.80	10.04	2.85
	32	8.21	2.56	8.63	2.59	9.05	2.65	9.26	2.66	9.87	2.73	10.29	2.77
	25	8.80	2.34	9.22	2.36	9.63	2.43	9.84	2.43	10.46	2.52	10.88	2.54
	22	9.05	2.24	9.47	2.27	9.89	2.34	10.09	2.34	10.71	2.42	11.13	2.44
10 + 10 + 07 + 05	46	6.96	2.99	7.37	3.03	7.78	3.07	7.99	3.10	8.61	3.16	9.02	3.21
	43	7.21	2.90	7.62	2.94	8.03	2.98	8.24	3.01	8.85	3.07	9.27	3.11
	40	7.46	2.80	7.87	2.84	8.28	2.89	8.49	2.91	9.10	2.97	9.52	3.01
	35	7.87	2.62	8.28	2.66	8.69	2.71	8.90	2.73	9.52	2.79	9.93	2.84
	32	8.12	2.55	8.53	2.58	8.95	2.64	9.15	2.65	9.76	2.72	10.18	2.76
	25	8.70	2.33	9.12	2.35	9.53	2.42	9.73	2.42	10.34	2.51	10.76	2.53
	22	8.95	2.23	9.36	2.26	9.78	2.33	9.98	2.33	10.59	2.41	11.01	2.43
13 + 10 + 07 + 05	46	6.96	2.99	7.37	3.03	7.78	3.07	7.99	3.10	8.61	3.16	9.02	3.21
	43	7.21	2.90	7.62	2.94	8.03	2.98	8.24	3.01	8.85	3.07	9.27	3.11
	40	7.46	2.80	7.87	2.84	8.28	2.89	8.49	2.91	9.10	2.97	9.52	3.01
	35	7.87	2.62	8.28	2.66	8.69	2.71	8.90	2.73	9.52	2.79	9.93	2.84
	32	8.12	2.55	8.53	2.58	8.95	2.64	9.15	2.65	9.76	2.72	10.18	2.76
	25	8.70	2.33	9.12	2.35	9.53	2.42	9.73	2.42	10.34	2.51	10.76	2.53
	22	8.95	2.23	9.36	2.26	9.78	2.33	9.98	2.33	10.59	2.41	11.01	2.43
16 + 10 + 07 + 05	46	7.04	3.00	7.46	3.05	7.87	3.09	8.08	3.11	8.70	3.17	9.12	3.22
	43	7.29	2.91	7.71	2.95	8.12	2.99	8.33	3.02	8.95	3.08	9.37	3.12
	40	7.54	2.81	7.96	2.85	8.38	2.90	8.58	2.92	9.20	2.98	9.62	3.03
	35	7.96	2.63	8.38	2.67	8.79	2.72	9.00	2.74	9.62	2.80	10.04	2.85
	32	8.21	2.56	8.63	2.59	9.05	2.65	9.26	2.66	9.87	2.73	10.29	2.77
	25	8.80	2.34	9.22	2.36	9.63	2.43	9.84	2.43	10.46	2.52	10.88	2.54
	22	9.05	2.24	9.47	2.27	9.89	2.34	10.09	2.34	10.71	2.42	11.13	2.44
18 + 10 + 07 + 05	46	7.04	3.00	7.46	3.05	7.87	3.09	8.08	3.11	8.70	3.17	9.12	3.22
	43	7.29	2.91	7.71	2.95	8.12	2.99	8.33	3.02	8.95	3.08	9.37	3.12
	40	7.54	2.81	7.96	2.85	8.38	2.90	8.58	2.92	9.20	2.98	9.62	3.03
	35	7.96	2.63	8.38	2.67	8.79	2.72	9.00	2.74	9.62	2.80	10.04	2.85
	32	8.21	2.56	8.63	2.59	9.05	2.65	9.26	2.66	9.87	2.73	10.29	2.77
	25	8.80	2.34	9.22	2.36	9.63	2.43	9.84	2.43	10.46	2.52	10.88	2.54
	22	9.05	2.24	9.47	2.27	9.89	2.34	10.09	2.34	10.71	2.42	11.13	2.44
22 + 10 + 07 + 05	46	7.04	3.00	7.46	3.05	7.87	3.09	8.08	3.11	8.70	3.17	9.12	3.22
	43	7.29	2.91	7.71	2.95	8.12	2.99	8.33	3.02	8.95	3.08	9.37	3.12
	40	7.54	2.81	7.96	2.85	8.38	2.90	8.58	2.92	9.20	2.98	9.62	3.03
	35	7.96	2.63	8.38	2.67	8.79	2.72	9.00	2.74	9.62	2.80	10.04	2.85
	32	8.21	2.56	8.63	2.59	9.05	2.65	9.26	2.66	9.87	2.73	10.29	2.77
	25	8.80	2.34	9.22	2.36	9.63	2.43	9.84	2.43	10.46	2.52	10.88	2.54
	22	9.05	2.24	9.47	2.27	9.89	2.34	10.09	2.34	10.71	2.42	11.13	2.44
24 + 10 + 07 + 05	46	7.04	3.00	7.46	3.05	7.87	3.09	8.08	3.11	8.70	3.17	9.12	3.22
	43	7.29	2.91	7.71	2.95	8.12	2.99	8.33	3.02	8.95	3.08	9.37	3.12
	40	7.54	2.81	7.96	2.85	8.38	2.90	8.58	2.92	9.20	2.98	9.62	3.03
	35	7.96	2.63	8.38	2.67	8.79	2.72	9.00	2.74	9.62	2.80	10.04	2.85
	32	8.21	2.56	8.63	2.59	9.05	2.65	9.26	2.66	9.87	2.73	10.29	2.77
	25	8.80	2.34	9.22	2.36	9.63	2.43	9.84	2.43	10.46	2.52	10.88	2.54
	22	9.05	2.24	9.47	2.27	9.89	2.34	10.09	2.34	10.71	2.42	11.13	2.44
13 + 13 + 07 + 05	46	6.96	2.99	7.37	3.03	7.78	3.07	7.99	3.10	8.61	3.16	9.02	3.21
	43	7.21	2.90	7.62	2.94	8.03	2.98	8.24	3.01	8.85	3.07	9.27	3.11
	40	7.46	2.80	7.87	2.84	8.28	2.89	8.49	2.91	9.10	2.97	9.52	3.01
	35	7.87	2.62	8.28	2.66	8.69	2.71	8.90	2.73	9.52	2.79	9.93	2.84
	32	8.12	2.55	8.53	2.58	8.95	2.64	9.15	2.65	9.76	2.72	10.18	2.76
	25	8.70	2.33	9.12	2.35	9.53	2.42	9.73	2.42	10.34	2.51	10.76	2.53
	22	8.95	2.23	9.36	2.26	9.78	2.33	9.98	2.33	10.59	2.41	11.01	2.43

Cooling

5 - rooms multisplit : 4 - unit operation

Indoor units : 16 type + 13 type + 07 type + 05 type
 18 type + 13 type + 07 type + 05 type
 22 type + 13 type + 07 type + 05 type
 24 type + 13 type + 07 type + 05 type

16 type + 16 type + 07 type + 05 type
 18 type + 16 type + 07 type + 05 type
 22 type + 16 type + 07 type + 05 type
 18 type + 18 type + 07 type + 05 type

TC : Total capacity [kW]
 PI : Power input [kW]

Outdoor unit : RAS-5M34U2AVG-E

Combination (Capacity)	Outdoor air temp. [°C DB]	Indoor air temp. [°C WB]											
		14		16		18		19		22		24	
		TC [kW]	PI [kW]	TC [kW]	PI [kW]	TC [kW]	PI [kW]	TC [kW]	PI [kW]	TC [kW]	PI [kW]	TC [kW]	PI [kW]
16 + 13 + 07 + 05	46	7.04	3.00	7.46	3.05	7.87	3.09	8.08	3.11	8.70	3.17	9.12	3.22
	43	7.29	2.91	7.71	2.95	8.12	2.99	8.33	3.02	8.95	3.08	9.37	3.12
	40	7.54	2.81	7.96	2.85	8.38	2.90	8.58	2.92	9.20	2.98	9.62	3.03
	35	7.96	2.63	8.38	2.67	8.79	2.72	9.00	2.74	9.62	2.80	10.04	2.85
	32	8.21	2.56	8.63	2.59	9.05	2.65	9.26	2.66	9.87	2.73	10.29	2.77
	25	8.80	2.34	9.22	2.36	9.63	2.43	9.84	2.43	10.46	2.52	10.88	2.54
	22	9.05	2.24	9.47	2.27	9.89	2.34	10.09	2.34	10.71	2.42	11.13	2.44
18 + 13 + 07 + 05	46	7.04	3.00	7.46	3.05	7.87	3.09	8.08	3.11	8.70	3.17	9.12	3.22
	43	7.29	2.91	7.71	2.95	8.12	2.99	8.33	3.02	8.95	3.08	9.37	3.12
	40	7.54	2.81	7.96	2.85	8.38	2.90	8.58	2.92	9.20	2.98	9.62	3.03
	35	7.96	2.63	8.38	2.67	8.79	2.72	9.00	2.74	9.62	2.80	10.04	2.85
	32	8.21	2.56	8.63	2.59	9.05	2.65	9.26	2.66	9.87	2.73	10.29	2.77
	25	8.80	2.34	9.22	2.36	9.63	2.43	9.84	2.43	10.46	2.52	10.88	2.54
	22	9.05	2.24	9.47	2.27	9.89	2.34	10.09	2.34	10.71	2.42	11.13	2.44
22 + 13 + 07 + 05	46	7.04	3.00	7.46	3.05	7.87	3.09	8.08	3.11	8.70	3.17	9.12	3.22
	43	7.29	2.91	7.71	2.95	8.12	2.99	8.33	3.02	8.95	3.08	9.37	3.12
	40	7.54	2.81	7.96	2.85	8.38	2.90	8.58	2.92	9.20	2.98	9.62	3.03
	35	7.96	2.63	8.38	2.67	8.79	2.72	9.00	2.74	9.62	2.80	10.04	2.85
	32	8.21	2.56	8.63	2.59	9.05	2.65	9.26	2.66	9.87	2.73	10.29	2.77
	25	8.80	2.34	9.22	2.36	9.63	2.43	9.84	2.43	10.46	2.52	10.88	2.54
	22	9.05	2.24	9.47	2.27	9.89	2.34	10.09	2.34	10.71	2.42	11.13	2.44
24 + 13 + 07 + 05	46	7.04	3.00	7.46	3.05	7.87	3.09	8.08	3.11	8.70	3.17	9.12	3.22
	43	7.29	2.91	7.71	2.95	8.12	2.99	8.33	3.02	8.95	3.08	9.37	3.12
	40	7.54	2.81	7.96	2.85	8.38	2.90	8.58	2.92	9.20	2.98	9.62	3.03
	35	7.96	2.63	8.38	2.67	8.79	2.72	9.00	2.74	9.62	2.80	10.04	2.85
	32	8.21	2.56	8.63	2.59	9.05	2.65	9.26	2.66	9.87	2.73	10.29	2.77
	25	8.80	2.34	9.22	2.36	9.63	2.43	9.84	2.43	10.46	2.52	10.88	2.54
	22	9.05	2.24	9.47	2.27	9.89	2.34	10.09	2.34	10.71	2.42	11.13	2.44
16 + 16 + 07 + 05	46	7.04	3.00	7.46	3.05	7.87	3.09	8.08	3.11	8.70	3.17	9.12	3.22
	43	7.29	2.91	7.71	2.95	8.12	2.99	8.33	3.02	8.95	3.08	9.37	3.12
	40	7.54	2.81	7.96	2.85	8.38	2.90	8.58	2.92	9.20	2.98	9.62	3.03
	35	7.96	2.63	8.38	2.67	8.79	2.72	9.00	2.74	9.62	2.80	10.04	2.85
	32	8.21	2.56	8.63	2.59	9.05	2.65	9.26	2.66	9.87	2.73	10.29	2.77
	25	8.80	2.34	9.22	2.36	9.63	2.43	9.84	2.43	10.46	2.52	10.88	2.54
	22	9.05	2.24	9.47	2.27	9.89	2.34	10.09	2.34	10.71	2.42	11.13	2.44
18 + 16 + 07 + 05	46	7.04	3.00	7.46	3.05	7.87	3.09	8.08	3.11	8.70	3.17	9.12	3.22
	43	7.29	2.91	7.71	2.95	8.12	2.99	8.33	3.02	8.95	3.08	9.37	3.12
	40	7.54	2.81	7.96	2.85	8.38	2.90	8.58	2.92	9.20	2.98	9.62	3.03
	35	7.96	2.63	8.38	2.67	8.79	2.72	9.00	2.74	9.62	2.80	10.04	2.85
	32	8.21	2.56	8.63	2.59	9.05	2.65	9.26	2.66	9.87	2.73	10.29	2.77
	25	8.80	2.34	9.22	2.36	9.63	2.43	9.84	2.43	10.46	2.52	10.88	2.54
	22	9.05	2.24	9.47	2.27	9.89	2.34	10.09	2.34	10.71	2.42	11.13	2.44
22 + 16 + 07 + 05	46	7.04	3.00	7.46	3.05	7.87	3.09	8.08	3.11	8.70	3.17	9.12	3.22
	43	7.29	2.91	7.71	2.95	8.12	2.99	8.33	3.02	8.95	3.08	9.37	3.12
	40	7.54	2.81	7.96	2.85	8.38	2.90	8.58	2.92	9.20	2.98	9.62	3.03
	35	7.96	2.63	8.38	2.67	8.79	2.72	9.00	2.74	9.62	2.80	10.04	2.85
	32	8.21	2.56	8.63	2.59	9.05	2.65	9.26	2.66	9.87	2.73	10.29	2.77
	25	8.80	2.34	9.22	2.36	9.63	2.43	9.84	2.43	10.46	2.52	10.88	2.54
	22	9.05	2.24	9.47	2.27	9.89	2.34	10.09	2.34	10.71	2.42	11.13	2.44
18 + 18 + 07 + 05	46	7.04	3.00	7.46	3.05	7.87	3.09	8.08	3.11	8.70	3.17	9.12	3.22
	43	7.29	2.91	7.71	2.95	8.12	2.99	8.33	3.02	8.95	3.08	9.37	3.12
	40	7.54	2.81	7.96	2.85	8.38	2.90	8.58	2.92	9.20	2.98	9.62	3.03
	35	7.96	2.63	8.38	2.67	8.79	2.72	9.00	2.74	9.62	2.80	10.04	2.85
	32	8.21	2.56	8.63	2.59	9.05	2.65	9.26	2.66	9.87	2.73	10.29	2.77
	25	8.80	2.34	9.22	2.36	9.63	2.43	9.84	2.43	10.46	2.52	10.88	2.54
	22	9.05	2.24	9.47	2.27	9.89	2.34	10.09	2.34	10.71	2.42	11.13	2.44

Cooling

5 - rooms multisplit : 4 - unit operation

Indoor units : 22 type + 18 type + 07 type + 05 type
 10 type + 10 type + 10 type + 05 type
 13 type + 10 type + 10 type + 05 type
 16 type + 10 type + 10 type + 05 type

18 type + 10 type + 10 type + 05 type
 22 type + 10 type + 10 type + 05 type
 24 type + 10 type + 10 type + 05 type
 13 type + 13 type + 10 type + 05 type

TC : Total capacity [kW]
 PI : Power input [kW]

Outdoor unit : RAS-5M34U2AVG-E

Combination (Capacity)	Outdoor air temp. [°C DB]	Indoor air temp. [°C WB]											
		14		16		18		19		22		24	
		TC [kW]	PI [kW]	TC [kW]	PI [kW]	TC [kW]	PI [kW]	TC [kW]	PI [kW]	TC [kW]	PI [kW]	TC [kW]	PI [kW]
22 + 18 + 07 + 05	46	7.04	3.00	7.46	3.05	7.87	3.09	8.08	3.11	8.70	3.17	9.12	3.22
	43	7.29	2.91	7.71	2.95	8.12	2.99	8.33	3.02	8.95	3.08	9.37	3.12
	40	7.54	2.81	7.96	2.85	8.38	2.90	8.58	2.92	9.20	2.98	9.62	3.03
	35	7.96	2.63	8.38	2.67	8.79	2.72	9.00	2.74	9.62	2.80	10.04	2.85
	32	8.21	2.56	8.63	2.59	9.05	2.65	9.26	2.66	9.87	2.73	10.29	2.77
	25	8.80	2.34	9.22	2.36	9.63	2.43	9.84	2.43	10.46	2.52	10.88	2.54
	22	9.05	2.24	9.47	2.27	9.89	2.34	10.09	2.34	10.71	2.42	11.13	2.44
10 + 10 + 10 + 05	46	7.04	3.00	7.46	3.05	7.87	3.09	8.08	3.11	8.70	3.17	9.12	3.22
	43	7.29	2.91	7.71	2.95	8.12	2.99	8.33	3.02	8.95	3.08	9.37	3.12
	40	7.54	2.81	7.96	2.85	8.38	2.90	8.58	2.92	9.20	2.98	9.62	3.03
	35	7.96	2.63	8.38	2.67	8.79	2.72	9.00	2.74	9.62	2.80	10.04	2.85
	32	8.21	2.56	8.63	2.59	9.05	2.65	9.26	2.66	9.87	2.73	10.29	2.77
	25	8.80	2.34	9.22	2.36	9.63	2.43	9.84	2.43	10.46	2.52	10.88	2.54
	22	9.05	2.24	9.47	2.27	9.89	2.34	10.09	2.34	10.71	2.42	11.13	2.44
13 + 10 + 10 + 05	46	6.89	2.98	7.29	3.02	7.70	3.06	7.90	3.09	8.51	3.15	8.92	3.20
	43	7.13	2.89	7.54	2.93	7.94	2.97	8.15	2.99	8.75	3.06	9.16	3.10
	40	7.38	2.79	7.78	2.83	8.19	2.88	8.39	2.90	9.00	2.96	9.41	3.00
	35	7.78	2.61	8.19	2.66	8.60	2.70	8.80	2.72	9.41	2.78	9.81	2.83
	32	8.03	2.54	8.44	2.57	8.85	2.63	9.05	2.64	9.65	2.71	10.06	2.75
	25	8.61	2.32	9.01	2.35	9.42	2.41	9.62	2.42	10.22	2.50	10.64	2.52
	22	8.85	2.22	9.26	2.25	9.67	2.32	9.87	2.32	10.47	2.40	10.88	2.42
16 + 10 + 10 + 05	46	7.04	3.00	7.46	3.05	7.87	3.09	8.08	3.11	8.70	3.17	9.12	3.22
	43	7.29	2.91	7.71	2.95	8.12	2.99	8.33	3.02	8.95	3.08	9.37	3.12
	40	7.54	2.81	7.96	2.85	8.38	2.90	8.58	2.92	9.20	2.98	9.62	3.03
	35	7.96	2.63	8.38	2.67	8.79	2.72	9.00	2.74	9.62	2.80	10.04	2.85
	32	8.21	2.56	8.63	2.59	9.05	2.65	9.26	2.66	9.87	2.73	10.29	2.77
	25	8.80	2.34	9.22	2.36	9.63	2.43	9.84	2.43	10.46	2.52	10.88	2.54
	22	9.05	2.24	9.47	2.27	9.89	2.34	10.09	2.34	10.71	2.42	11.13	2.44
18 + 10 + 10 + 05	46	7.04	3.00	7.46	3.05	7.87	3.09	8.08	3.11	8.70	3.17	9.12	3.22
	43	7.29	2.91	7.71	2.95	8.12	2.99	8.33	3.02	8.95	3.08	9.37	3.12
	40	7.54	2.81	7.96	2.85	8.38	2.90	8.58	2.92	9.20	2.98	9.62	3.03
	35	7.96	2.63	8.38	2.67	8.79	2.72	9.00	2.74	9.62	2.80	10.04	2.85
	32	8.21	2.56	8.63	2.59	9.05	2.65	9.26	2.66	9.87	2.73	10.29	2.77
	25	8.80	2.34	9.22	2.36	9.63	2.43	9.84	2.43	10.46	2.52	10.88	2.54
	22	9.05	2.24	9.47	2.27	9.89	2.34	10.09	2.34	10.71	2.42	11.13	2.44
22 + 10 + 10 + 05	46	7.04	3.00	7.46	3.05	7.87	3.09	8.08	3.11	8.70	3.17	9.12	3.22
	43	7.29	2.91	7.71	2.95	8.12	2.99	8.33	3.02	8.95	3.08	9.37	3.12
	40	7.54	2.81	7.96	2.85	8.38	2.90	8.58	2.92	9.20	2.98	9.62	3.03
	35	7.96	2.63	8.38	2.67	8.79	2.72	9.00	2.74	9.62	2.80	10.04	2.85
	32	8.21	2.56	8.63	2.59	9.05	2.65	9.26	2.66	9.87	2.73	10.29	2.77
	25	8.80	2.34	9.22	2.36	9.63	2.43	9.84	2.43	10.46	2.52	10.88	2.54
	22	9.05	2.24	9.47	2.27	9.89	2.34	10.09	2.34	10.71	2.42	11.13	2.44
24 + 10 + 10 + 05	46	7.04	3.00	7.46	3.05	7.87	3.09	8.08	3.11	8.70	3.17	9.12	3.22
	43	7.29	2.91	7.71	2.95	8.12	2.99	8.33	3.02	8.95	3.08	9.37	3.12
	40	7.54	2.81	7.96	2.85	8.38	2.90	8.58	2.92	9.20	2.98	9.62	3.03
	35	7.96	2.63	8.38	2.67	8.79	2.72	9.00	2.74	9.62	2.80	10.04	2.85
	32	8.21	2.56	8.63	2.59	9.05	2.65	9.26	2.66	9.87	2.73	10.29	2.77
	25	8.80	2.34	9.22	2.36	9.63	2.43	9.84	2.43	10.46	2.52	10.88	2.54
	22	9.05	2.24	9.47	2.27	9.89	2.34	10.09	2.34	10.71	2.42	11.13	2.44
13 + 13 + 10 + 05	46	7.04	3.00	7.46	3.05	7.87	3.09	8.08	3.11	8.70	3.17	9.12	3.22
	43	7.29	2.91	7.71	2.95	8.12	2.99	8.33	3.02	8.95	3.08	9.37	3.12
	40	7.54	2.81	7.96	2.85	8.38	2.90	8.58	2.92	9.20	2.98	9.62	3.03
	35	7.96	2.63	8.38	2.67	8.79	2.72	9.00	2.74	9.62	2.80	10.04	2.85
	32	8.21	2.56	8.63	2.59	9.05	2.65	9.26	2.66	9.87	2.73	10.29	2.77
	25	8.80	2.34	9.22	2.36	9.63	2.43	9.84	2.43	10.46	2.52	10.88	2.54
	22	9.05	2.24	9.47	2.27	9.89	2.34	10.09	2.34	10.71	2.42	11.13	2.44

Cooling

5 - rooms multisplit : 4 - unit operation

Indoor units : 16 type + 13 type + 10 type + 05 type
 18 type + 13 type + 10 type + 05 type
 22 type + 13 type + 10 type + 05 type
 16 type + 16 type + 10 type + 05 type

18 type + 16 type + 10 type + 05 type
 18 type + 18 type + 10 type + 05 type
 13 type + 13 type + 13 type + 05 type
 16 type + 13 type + 13 type + 05 type

TC : Total capacity [kW]
 PI : Power input [kW]

Outdoor unit : RAS-5M34U2AVG-E

Combination (Capacity)	Outdoor air temp. [°C DB]	Indoor air temp. [°C WB]											
		14		16		18		19		22		24	
		TC [kW]	PI [kW]	TC [kW]	PI [kW]	TC [kW]	PI [kW]	TC [kW]	PI [kW]	TC [kW]	PI [kW]	TC [kW]	PI [kW]
16 + 13 + 10 + 05	46	7.04	3.00	7.46	3.05	7.87	3.09	8.08	3.11	8.70	3.17	9.12	3.22
	43	7.29	2.91	7.71	2.95	8.12	2.99	8.33	3.02	8.95	3.08	9.37	3.12
	40	7.54	2.81	7.96	2.85	8.38	2.90	8.58	2.92	9.20	2.98	9.62	3.03
	35	7.96	2.63	8.38	2.67	8.79	2.72	9.00	2.74	9.62	2.80	10.04	2.85
	32	8.21	2.56	8.63	2.59	9.05	2.65	9.26	2.66	9.87	2.73	10.29	2.77
	25	8.80	2.34	9.22	2.36	9.63	2.43	9.84	2.43	10.46	2.52	10.88	2.54
	22	9.05	2.24	9.47	2.27	9.89	2.34	10.09	2.34	10.71	2.42	11.13	2.44
18 + 13 + 10 + 05	46	7.04	3.00	7.46	3.05	7.87	3.09	8.08	3.11	8.70	3.17	9.12	3.22
	43	7.29	2.91	7.71	2.95	8.12	2.99	8.33	3.02	8.95	3.08	9.37	3.12
	40	7.54	2.81	7.96	2.85	8.38	2.90	8.58	2.92	9.20	2.98	9.62	3.03
	35	7.96	2.63	8.38	2.67	8.79	2.72	9.00	2.74	9.62	2.80	10.04	2.85
	32	8.21	2.56	8.63	2.59	9.05	2.65	9.26	2.66	9.87	2.73	10.29	2.77
	25	8.80	2.34	9.22	2.36	9.63	2.43	9.84	2.43	10.46	2.52	10.88	2.54
	22	9.05	2.24	9.47	2.27	9.89	2.34	10.09	2.34	10.71	2.42	11.13	2.44
22 + 13 + 10 + 05	46	7.04	3.00	7.46	3.05	7.87	3.09	8.08	3.11	8.70	3.17	9.12	3.22
	43	7.29	2.91	7.71	2.95	8.12	2.99	8.33	3.02	8.95	3.08	9.37	3.12
	40	7.54	2.81	7.96	2.85	8.38	2.90	8.58	2.92	9.20	2.98	9.62	3.03
	35	7.96	2.63	8.38	2.67	8.79	2.72	9.00	2.74	9.62	2.80	10.04	2.85
	32	8.21	2.56	8.63	2.59	9.05	2.65	9.26	2.66	9.87	2.73	10.29	2.77
	25	8.80	2.34	9.22	2.36	9.63	2.43	9.84	2.43	10.46	2.52	10.88	2.54
	22	9.05	2.24	9.47	2.27	9.89	2.34	10.09	2.34	10.71	2.42	11.13	2.44
16 + 16 + 10 + 05	46	7.04	3.00	7.46	3.05	7.87	3.09	8.08	3.11	8.70	3.17	9.12	3.22
	43	7.29	2.91	7.71	2.95	8.12	2.99	8.33	3.02	8.95	3.08	9.37	3.12
	40	7.54	2.81	7.96	2.85	8.38	2.90	8.58	2.92	9.20	2.98	9.62	3.03
	35	7.96	2.63	8.38	2.67	8.79	2.72	9.00	2.74	9.62	2.80	10.04	2.85
	32	8.21	2.56	8.63	2.59	9.05	2.65	9.26	2.66	9.87	2.73	10.29	2.77
	25	8.80	2.34	9.22	2.36	9.63	2.43	9.84	2.43	10.46	2.52	10.88	2.54
	22	9.05	2.24	9.47	2.27	9.89	2.34	10.09	2.34	10.71	2.42	11.13	2.44
18 + 16 + 10 + 05	46	7.04	3.00	7.46	3.05	7.87	3.09	8.08	3.11	8.70	3.17	9.12	3.22
	43	7.29	2.91	7.71	2.95	8.12	2.99	8.33	3.02	8.95	3.08	9.37	3.12
	40	7.54	2.81	7.96	2.85	8.38	2.90	8.58	2.92	9.20	2.98	9.62	3.03
	35	7.96	2.63	8.38	2.67	8.79	2.72	9.00	2.74	9.62	2.80	10.04	2.85
	32	8.21	2.56	8.63	2.59	9.05	2.65	9.26	2.66	9.87	2.73	10.29	2.77
	25	8.80	2.34	9.22	2.36	9.63	2.43	9.84	2.43	10.46	2.52	10.88	2.54
	22	9.05	2.24	9.47	2.27	9.89	2.34	10.09	2.34	10.71	2.42	11.13	2.44
18 + 18 + 10 + 05	46	7.04	3.00	7.46	3.05	7.87	3.09	8.08	3.11	8.70	3.17	9.12	3.22
	43	7.29	2.91	7.71	2.95	8.12	2.99	8.33	3.02	8.95	3.08	9.37	3.12
	40	7.54	2.81	7.96	2.85	8.38	2.90	8.58	2.92	9.20	2.98	9.62	3.03
	35	7.96	2.63	8.38	2.67	8.79	2.72	9.00	2.74	9.62	2.80	10.04	2.85
	32	8.21	2.56	8.63	2.59	9.05	2.65	9.26	2.66	9.87	2.73	10.29	2.77
	25	8.80	2.34	9.22	2.36	9.63	2.43	9.84	2.43	10.46	2.52	10.88	2.54
	22	9.05	2.24	9.47	2.27	9.89	2.34	10.09	2.34	10.71	2.42	11.13	2.44
13 + 13 + 13 + 05	46	7.04	3.00	7.46	3.05	7.87	3.09	8.08	3.11	8.70	3.17	9.12	3.22
	43	7.29	2.91	7.71	2.95	8.12	2.99	8.33	3.02	8.95	3.08	9.37	3.12
	40	7.54	2.81	7.96	2.85	8.38	2.90	8.58	2.92	9.20	2.98	9.62	3.03
	35	7.96	2.63	8.38	2.67	8.79	2.72	9.00	2.74	9.62	2.80	10.04	2.85
	32	8.21	2.56	8.63	2.59	9.05	2.65	9.26	2.66	9.87	2.73	10.29	2.77
	25	8.80	2.34	9.22	2.36	9.63	2.43	9.84	2.43	10.46	2.52	10.88	2.54
	22	9.05	2.24	9.47	2.27	9.89	2.34	10.09	2.34	10.71	2.42	11.13	2.44
16 + 13 + 13 + 05	46	7.04	3.00	7.46	3.05	7.87	3.09	8.08	3.11	8.70	3.17	9.12	3.22
	43	7.29	2.91	7.71	2.95	8.12	2.99	8.33	3.02	8.95	3.08	9.37	3.12
	40	7.54	2.81	7.96	2.85	8.38	2.90	8.58	2.92	9.20	2.98	9.62	3.03
	35	7.96	2.63	8.38	2.67	8.79	2.72	9.00	2.74	9.62	2.80	10.04	2.85
	32	8.21	2.56	8.63	2.59	9.05	2.65	9.26	2.66	9.87	2.73	10.29	2.77
	25	8.80	2.34	9.22	2.36	9.63	2.43	9.84	2.43	10.46	2.52	10.88	2.54
	22	9.05	2.24	9.47	2.27	9.89	2.34	10.09	2.34	10.71	2.42	11.13	2.44

Cooling

5 - rooms multisplit : 4 - unit operation

Indoor units : 18 type + 13 type + 13 type + 05 type
 16 type + 16 type + 13 type + 05 type
 07 type + 07 type + 07 type + 07 type
 10 type + 07 type + 07 type + 07 type

13 type + 07 type + 07 type + 07 type
 16 type + 07 type + 07 type + 07 type
 18 type + 07 type + 07 type + 07 type
 22 type + 07 type + 07 type + 07 type

TC : Total capacity [kW]
 PI : Power input [kW]

Outdoor unit : RAS-5M34U2AVG-E

Combination (Capacity)	Outdoor air temp. [°C DB]	Indoor air temp. [°C WB]											
		14		16		18		19		22		24	
		TC [kW]	PI [kW]	TC [kW]	PI [kW]	TC [kW]	PI [kW]	TC [kW]	PI [kW]	TC [kW]	PI [kW]	TC [kW]	PI [kW]
18 + 13 + 13 + 05	46	7.04	3.00	7.46	3.05	7.87	3.09	8.08	3.11	8.70	3.17	9.12	3.22
	43	7.29	2.91	7.71	2.95	8.12	2.99	8.33	3.02	8.95	3.08	9.37	3.12
	40	7.54	2.81	7.96	2.85	8.38	2.90	8.58	2.92	9.20	2.98	9.62	3.03
	35	7.96	2.63	8.38	2.67	8.79	2.72	9.00	2.74	9.62	2.80	10.04	2.85
	32	8.21	2.56	8.63	2.59	9.05	2.65	9.26	2.66	9.87	2.73	10.29	2.77
	25	8.80	2.34	9.22	2.36	9.63	2.43	9.84	2.43	10.46	2.52	10.88	2.54
	22	9.05	2.24	9.47	2.27	9.89	2.34	10.09	2.34	10.71	2.42	11.13	2.44
16 + 16 + 13 + 05	46	7.04	3.00	7.46	3.05	7.87	3.09	8.08	3.11	8.70	3.17	9.12	3.22
	43	7.29	2.91	7.71	2.95	8.12	2.99	8.33	3.02	8.95	3.08	9.37	3.12
	40	7.54	2.81	7.96	2.85	8.38	2.90	8.58	2.92	9.20	2.98	9.62	3.03
	35	7.96	2.63	8.38	2.67	8.79	2.72	9.00	2.74	9.62	2.80	10.04	2.85
	32	8.21	2.56	8.63	2.59	9.05	2.65	9.26	2.66	9.87	2.73	10.29	2.77
	25	8.80	2.34	9.22	2.36	9.63	2.43	9.84	2.43	10.46	2.52	10.88	2.54
	22	9.05	2.24	9.47	2.27	9.89	2.34	10.09	2.34	10.71	2.42	11.13	2.44
07 + 07 + 07 + 07	46	6.26	2.79	6.63	2.83	7.00	2.87	7.18	2.90	7.74	2.95	8.11	3.00
	43	6.48	2.71	6.85	2.74	7.22	2.78	7.41	2.81	7.96	2.86	8.33	2.91
	40	6.71	2.62	7.08	2.65	7.44	2.70	7.63	2.72	8.18	2.78	8.55	2.82
	35	7.08	2.45	7.44	2.49	7.81	2.53	8.00	2.55	8.55	2.61	8.92	2.65
	32	7.30	2.38	7.67	2.41	8.04	2.47	8.23	2.48	8.77	2.54	9.15	2.57
	25	7.82	2.17	8.19	2.20	8.56	2.26	8.75	2.26	9.29	2.34	9.67	2.36
	22	8.05	2.08	8.42	2.11	8.79	2.17	8.97	2.17	9.52	2.25	9.89	2.27
10 + 07 + 07 + 07	46	6.57	2.97	6.96	3.01	7.35	3.05	7.54	3.08	8.12	3.14	8.51	3.18
	43	6.81	2.87	7.19	2.92	7.58	2.96	7.78	2.98	8.36	3.04	8.75	3.09
	40	7.04	2.78	7.43	2.82	7.82	2.87	8.01	2.89	8.59	2.95	8.98	2.99
	35	7.43	2.60	7.82	2.65	8.20	2.69	8.40	2.71	8.98	2.77	9.37	2.82
	32	7.67	2.53	8.06	2.56	8.44	2.62	8.64	2.63	9.21	2.70	9.61	2.74
	25	8.21	2.31	8.60	2.34	8.99	2.40	9.19	2.41	9.76	2.49	10.15	2.51
	22	8.45	2.22	8.84	2.24	9.23	2.31	9.42	2.31	9.99	2.40	10.39	2.42
13 + 07 + 07 + 07	46	6.73	2.98	7.13	3.02	7.52	3.06	7.72	3.09	8.32	3.15	8.71	3.20
	43	6.97	2.89	7.37	2.93	7.76	2.97	7.96	2.99	8.55	3.06	8.95	3.10
	40	7.21	2.79	7.61	2.83	8.00	2.88	8.20	2.90	8.79	2.96	9.20	3.00
	35	7.61	2.61	8.00	2.66	8.40	2.70	8.60	2.72	9.19	2.78	9.59	2.83
	32	7.85	2.54	8.25	2.57	8.64	2.63	8.84	2.64	9.43	2.71	9.84	2.75
	25	8.41	2.32	8.81	2.35	9.21	2.41	9.40	2.42	9.99	2.50	10.40	2.52
	22	8.65	2.22	9.05	2.25	9.45	2.32	9.65	2.32	10.23	2.40	10.64	2.42
16 + 07 + 07 + 07	46	6.81	2.98	7.21	3.02	7.61	3.06	7.81	3.09	8.41	3.15	8.82	3.20
	43	7.05	2.89	7.45	2.93	7.85	2.97	8.06	2.99	8.65	3.06	9.06	3.10
	40	7.29	2.79	7.69	2.83	8.10	2.88	8.30	2.90	8.90	2.96	9.30	3.00
	35	7.69	2.61	8.10	2.66	8.50	2.70	8.70	2.72	9.30	2.78	9.70	2.83
	32	7.94	2.54	8.34	2.57	8.75	2.63	8.95	2.64	9.54	2.71	9.95	2.75
	25	8.51	2.32	8.91	2.35	9.31	2.41	9.51	2.42	10.11	2.50	10.52	2.52
	22	8.75	2.22	9.15	2.25	9.56	2.32	9.76	2.32	10.35	2.40	10.76	2.42
18 + 07 + 07 + 07	46	6.89	2.99	7.29	3.03	7.70	3.07	7.90	3.10	8.51	3.16	8.92	3.21
	43	7.13	2.90	7.54	2.94	7.94	2.98	8.15	3.01	8.75	3.07	9.16	3.11
	40	7.38	2.80	7.78	2.84	8.19	2.89	8.39	2.91	9.00	2.97	9.41	3.01
	35	7.78	2.62	8.19	2.66	8.60	2.71	8.80	2.73	9.41	2.79	9.81	2.84
	32	8.03	2.55	8.44	2.58	8.85	2.64	9.05	2.65	9.65	2.72	10.06	2.76
	25	8.61	2.33	9.01	2.35	9.42	2.42	9.62	2.42	10.22	2.51	10.64	2.53
	22	8.85	2.23	9.26	2.26	9.67	2.33	9.87	2.33	10.47	2.41	10.88	2.43
22 + 07 + 07 + 07	46	6.96	2.99	7.37	3.03	7.78	3.07	7.99	3.10	8.61	3.16	9.02	3.21
	43	7.21	2.90	7.62	2.94	8.03	2.98	8.24	3.01	8.85	3.07	9.27	3.11
	40	7.46	2.80	7.87	2.84	8.28	2.89	8.49	2.91	9.10	2.97	9.52	3.01
	35	7.87	2.62	8.28	2.66	8.69	2.71	8.90	2.73	9.52	2.79	9.93	2.84
	32	8.12	2.55	8.53	2.58	8.95	2.64	9.15	2.65	9.76	2.72	10.18	2.76
	25	8.70	2.33	9.12	2.35	9.53	2.42	9.73	2.42	10.34	2.51	10.76	2.53
	22	8.95	2.23	9.36	2.26	9.78	2.33	9.98	2.33	10.59	2.41	11.01	2.43

Cooling

5 - rooms multisplit : 4 - unit operation

Indoor units : 24 type + 07 type + 07 type + 07 type
 10 type + 10 type + 07 type + 07 type
 13 type + 10 type + 07 type + 07 type
 16 type + 10 type + 07 type + 07 type

18 type + 10 type + 07 type + 07 type
 22 type + 10 type + 07 type + 07 type
 24 type + 10 type + 07 type + 07 type
 13 type + 13 type + 07 type + 07 type

TC : Total capacity [kW]
 PI : Power input [kW]

Outdoor unit : RAS-5M34U2AVG-E

Combination (Capacity)	Outdoor air temp. [°C DB]	Indoor air temp. [°C WB]											
		14		16		18		19		22		24	
		TC [kW]	PI [kW]	TC [kW]	PI [kW]	TC [kW]	PI [kW]	TC [kW]	PI [kW]	TC [kW]	PI [kW]	TC [kW]	PI [kW]
24 + 07 + 07 + 07	46	7.04	3.00	7.46	3.05	7.87	3.09	8.08	3.11	8.70	3.17	9.12	3.22
	43	7.29	2.91	7.71	2.95	8.12	2.99	8.33	3.02	8.95	3.08	9.37	3.12
	40	7.54	2.81	7.96	2.85	8.38	2.90	8.58	2.92	9.20	2.98	9.62	3.03
	35	7.96	2.63	8.38	2.67	8.79	2.72	9.00	2.74	9.62	2.80	10.04	2.85
	32	8.21	2.56	8.63	2.59	9.05	2.65	9.26	2.66	9.87	2.73	10.29	2.77
	25	8.80	2.34	9.22	2.36	9.63	2.43	9.84	2.43	10.46	2.52	10.88	2.54
	22	9.05	2.24	9.47	2.27	9.89	2.34	10.09	2.34	10.71	2.42	11.13	2.44
10 + 10 + 07 + 07	46	6.65	2.97	7.04	3.01	7.43	3.05	7.63	3.08	8.22	3.14	8.61	3.18
	43	6.89	2.87	7.28	2.92	7.67	2.96	7.87	2.98	8.46	3.04	8.85	3.09
	40	7.13	2.78	7.52	2.82	7.91	2.87	8.11	2.89	8.69	2.95	9.09	2.99
	35	7.52	2.60	7.91	2.65	8.30	2.69	8.50	2.71	9.09	2.77	9.48	2.82
	32	7.76	2.53	8.15	2.56	8.54	2.62	8.74	2.63	9.32	2.70	9.72	2.74
	25	8.31	2.31	8.71	2.34	9.10	2.40	9.30	2.41	9.87	2.49	10.28	2.51
	22	8.55	2.22	8.94	2.24	9.34	2.31	9.53	2.31	10.11	2.40	10.51	2.42
13 + 10 + 07 + 07	46	6.81	2.98	7.21	3.02	7.61	3.06	7.81	3.09	8.41	3.15	8.82	3.20
	43	7.05	2.89	7.45	2.93	7.85	2.97	8.06	2.99	8.65	3.06	9.06	3.10
	40	7.29	2.79	7.69	2.83	8.10	2.88	8.30	2.90	8.90	2.96	9.30	3.00
	35	7.69	2.61	8.10	2.66	8.50	2.70	8.70	2.72	9.30	2.78	9.70	2.83
	32	7.94	2.54	8.34	2.57	8.75	2.63	8.95	2.64	9.54	2.71	9.95	2.75
	25	8.51	2.32	8.91	2.35	9.31	2.41	9.51	2.42	10.11	2.50	10.52	2.52
	22	8.75	2.22	9.15	2.25	9.56	2.32	9.76	2.32	10.35	2.40	10.76	2.42
16 + 10 + 07 + 07	46	6.89	2.99	7.29	3.03	7.70	3.07	7.90	3.10	8.51	3.16	8.92	3.21
	43	7.13	2.90	7.54	2.94	7.94	2.98	8.15	3.01	8.75	3.07	9.16	3.11
	40	7.38	2.80	7.78	2.84	8.19	2.89	8.39	2.91	9.00	2.97	9.41	3.01
	35	7.78	2.62	8.19	2.66	8.60	2.71	8.80	2.73	9.41	2.79	9.81	2.84
	32	8.03	2.55	8.44	2.58	8.85	2.64	9.05	2.65	9.65	2.72	10.06	2.76
	25	8.61	2.33	9.01	2.35	9.42	2.42	9.62	2.42	10.22	2.51	10.64	2.53
	22	8.85	2.23	9.26	2.26	9.67	2.33	9.87	2.33	10.47	2.41	10.88	2.43
18 + 10 + 07 + 07	46	6.96	2.99	7.37	3.03	7.78	3.07	7.99	3.10	8.61	3.16	9.02	3.21
	43	7.21	2.90	7.62	2.94	8.03	2.98	8.24	3.01	8.85	3.07	9.27	3.11
	40	7.46	2.80	7.87	2.84	8.28	2.89	8.49	2.91	9.10	2.97	9.52	3.01
	35	7.87	2.62	8.28	2.66	8.69	2.71	8.90	2.73	9.52	2.79	9.93	2.84
	32	8.12	2.55	8.53	2.58	8.95	2.64	9.15	2.65	9.76	2.72	10.18	2.76
	25	8.70	2.33	9.12	2.35	9.53	2.42	9.73	2.42	10.34	2.51	10.76	2.53
	22	8.95	2.23	9.36	2.26	9.78	2.33	9.98	2.33	10.59	2.41	11.01	2.43
22 + 10 + 07 + 07	46	7.04	3.00	7.46	3.05	7.87	3.09	8.08	3.11	8.70	3.17	9.12	3.22
	43	7.29	2.91	7.71	2.95	8.12	2.99	8.33	3.02	8.95	3.08	9.37	3.12
	40	7.54	2.81	7.96	2.85	8.38	2.90	8.58	2.92	9.20	2.98	9.62	3.03
	35	7.96	2.63	8.38	2.67	8.79	2.72	9.00	2.74	9.62	2.80	10.04	2.85
	32	8.21	2.56	8.63	2.59	9.05	2.65	9.26	2.66	9.87	2.73	10.29	2.77
	25	8.80	2.34	9.22	2.36	9.63	2.43	9.84	2.43	10.46	2.52	10.88	2.54
	22	9.05	2.24	9.47	2.27	9.89	2.34	10.09	2.34	10.71	2.42	11.13	2.44
24 + 10 + 07 + 07	46	7.04	3.00	7.46	3.05	7.87	3.09	8.08	3.11	8.70	3.17	9.12	3.22
	43	7.29	2.91	7.71	2.95	8.12	2.99	8.33	3.02	8.95	3.08	9.37	3.12
	40	7.54	2.81	7.96	2.85	8.38	2.90	8.58	2.92	9.20	2.98	9.62	3.03
	35	7.96	2.63	8.38	2.67	8.79	2.72	9.00	2.74	9.62	2.80	10.04	2.85
	32	8.21	2.56	8.63	2.59	9.05	2.65	9.26	2.66	9.87	2.73	10.29	2.77
	25	8.80	2.34	9.22	2.36	9.63	2.43	9.84	2.43	10.46	2.52	10.88	2.54
	22	9.05	2.24	9.47	2.27	9.89	2.34	10.09	2.34	10.71	2.42	11.13	2.44
13 + 13 + 07 + 07	46	6.96	2.99	7.37	3.03	7.78	3.07	7.99	3.10	8.61	3.16	9.02	3.21
	43	7.21	2.90	7.62	2.94	8.03	2.98	8.24	3.01	8.85	3.07	9.27	3.11
	40	7.46	2.80	7.87	2.84	8.28	2.89	8.49	2.91	9.10	2.97	9.52	3.01
	35	7.87	2.62	8.28	2.66	8.69	2.71	8.90	2.73	9.52	2.79	9.93	2.84
	32	8.12	2.55	8.53	2.58	8.95	2.64	9.15	2.65	9.76	2.72	10.18	2.76
	25	8.70	2.33	9.12	2.35	9.53	2.42	9.73	2.42	10.34	2.51	10.76	2.53
	22	8.95	2.23	9.36	2.26	9.78	2.33	9.98	2.33	10.59	2.41	11.01	2.43

Cooling

5 - rooms multisplit : 4 - unit operation

Indoor units : 16 type + 13 type + 07 type + 07 type
 18 type + 13 type + 07 type + 07 type
 22 type + 13 type + 07 type + 07 type
 24 type + 13 type + 07 type + 07 type

16 type + 16 type + 07 type + 07 type
 18 type + 16 type + 07 type + 07 type
 22 type + 16 type + 07 type + 07 type
 24 type + 16 type + 07 type + 07 type

Outdoor unit : RAS-5M34U2AVG-E

TC : Total capacity [kW]
 PI : Power input [kW]

Combination (Capacity)	Outdoor air temp. [°C DB]	Indoor air temp. [°C WB]											
		14		16		18		19		22		24	
		TC [kW]	PI [kW]	TC [kW]	PI [kW]	TC [kW]	PI [kW]	TC [kW]	PI [kW]	TC [kW]	PI [kW]	TC [kW]	PI [kW]
16 + 13 + 07 + 07	46	7.04	3.00	7.46	3.05	7.87	3.09	8.08	3.11	8.70	3.17	9.12	3.22
	43	7.29	2.91	7.71	2.95	8.12	2.99	8.33	3.02	8.95	3.08	9.37	3.12
	40	7.54	2.81	7.96	2.85	8.38	2.90	8.58	2.92	9.20	2.98	9.62	3.03
	35	7.96	2.63	8.38	2.67	8.79	2.72	9.00	2.74	9.62	2.80	10.04	2.85
	32	8.21	2.56	8.63	2.59	9.05	2.65	9.26	2.66	9.87	2.73	10.29	2.77
	25	8.80	2.34	9.22	2.36	9.63	2.43	9.84	2.43	10.46	2.52	10.88	2.54
	22	9.05	2.24	9.47	2.27	9.89	2.34	10.09	2.34	10.71	2.42	11.13	2.44
18 + 13 + 07 + 07	46	7.04	3.00	7.46	3.05	7.87	3.09	8.08	3.11	8.70	3.17	9.12	3.22
	43	7.29	2.91	7.71	2.95	8.12	2.99	8.33	3.02	8.95	3.08	9.37	3.12
	40	7.54	2.81	7.96	2.85	8.38	2.90	8.58	2.92	9.20	2.98	9.62	3.03
	35	7.96	2.63	8.38	2.67	8.79	2.72	9.00	2.74	9.62	2.80	10.04	2.85
	32	8.21	2.56	8.63	2.59	9.05	2.65	9.26	2.66	9.87	2.73	10.29	2.77
	25	8.80	2.34	9.22	2.36	9.63	2.43	9.84	2.43	10.46	2.52	10.88	2.54
	22	9.05	2.24	9.47	2.27	9.89	2.34	10.09	2.34	10.71	2.42	11.13	2.44
22 + 13 + 07 + 07	46	7.04	3.00	7.46	3.05	7.87	3.09	8.08	3.11	8.70	3.17	9.12	3.22
	43	7.29	2.91	7.71	2.95	8.12	2.99	8.33	3.02	8.95	3.08	9.37	3.12
	40	7.54	2.81	7.96	2.85	8.38	2.90	8.58	2.92	9.20	2.98	9.62	3.03
	35	7.96	2.63	8.38	2.67	8.79	2.72	9.00	2.74	9.62	2.80	10.04	2.85
	32	8.21	2.56	8.63	2.59	9.05	2.65	9.26	2.66	9.87	2.73	10.29	2.77
	25	8.80	2.34	9.22	2.36	9.63	2.43	9.84	2.43	10.46	2.52	10.88	2.54
	22	9.05	2.24	9.47	2.27	9.89	2.34	10.09	2.34	10.71	2.42	11.13	2.44
24 + 13 + 07 + 07	46	7.04	3.00	7.46	3.05	7.87	3.09	8.08	3.11	8.70	3.17	9.12	3.22
	43	7.29	2.91	7.71	2.95	8.12	2.99	8.33	3.02	8.95	3.08	9.37	3.12
	40	7.54	2.81	7.96	2.85	8.38	2.90	8.58	2.92	9.20	2.98	9.62	3.03
	35	7.96	2.63	8.38	2.67	8.79	2.72	9.00	2.74	9.62	2.80	10.04	2.85
	32	8.21	2.56	8.63	2.59	9.05	2.65	9.26	2.66	9.87	2.73	10.29	2.77
	25	8.80	2.34	9.22	2.36	9.63	2.43	9.84	2.43	10.46	2.52	10.88	2.54
	22	9.05	2.24	9.47	2.27	9.89	2.34	10.09	2.34	10.71	2.42	11.13	2.44
16 + 16 + 07 + 07	46	7.04	3.00	7.46	3.05	7.87	3.09	8.08	3.11	8.70	3.17	9.12	3.22
	43	7.29	2.91	7.71	2.95	8.12	2.99	8.33	3.02	8.95	3.08	9.37	3.12
	40	7.54	2.81	7.96	2.85	8.38	2.90	8.58	2.92	9.20	2.98	9.62	3.03
	35	7.96	2.63	8.38	2.67	8.79	2.72	9.00	2.74	9.62	2.80	10.04	2.85
	32	8.21	2.56	8.63	2.59	9.05	2.65	9.26	2.66	9.87	2.73	10.29	2.77
	25	8.80	2.34	9.22	2.36	9.63	2.43	9.84	2.43	10.46	2.52	10.88	2.54
	22	9.05	2.24	9.47	2.27	9.89	2.34	10.09	2.34	10.71	2.42	11.13	2.44
18 + 16 + 07 + 07	46	7.04	3.00	7.46	3.05	7.87	3.09	8.08	3.11	8.70	3.17	9.12	3.22
	43	7.29	2.91	7.71	2.95	8.12	2.99	8.33	3.02	8.95	3.08	9.37	3.12
	40	7.54	2.81	7.96	2.85	8.38	2.90	8.58	2.92	9.20	2.98	9.62	3.03
	35	7.96	2.63	8.38	2.67	8.79	2.72	9.00	2.74	9.62	2.80	10.04	2.85
	32	8.21	2.56	8.63	2.59	9.05	2.65	9.26	2.66	9.87	2.73	10.29	2.77
	25	8.80	2.34	9.22	2.36	9.63	2.43	9.84	2.43	10.46	2.52	10.88	2.54
	22	9.05	2.24	9.47	2.27	9.89	2.34	10.09	2.34	10.71	2.42	11.13	2.44
22 + 16 + 07 + 07	46	7.04	3.00	7.46	3.05	7.87	3.09	8.08	3.11	8.70	3.17	9.12	3.22
	43	7.29	2.91	7.71	2.95	8.12	2.99	8.33	3.02	8.95	3.08	9.37	3.12
	40	7.54	2.81	7.96	2.85	8.38	2.90	8.58	2.92	9.20	2.98	9.62	3.03
	35	7.96	2.63	8.38	2.67	8.79	2.72	9.00	2.74	9.62	2.80	10.04	2.85
	32	8.21	2.56	8.63	2.59	9.05	2.65	9.26	2.66	9.87	2.73	10.29	2.77
	25	8.80	2.34	9.22	2.36	9.63	2.43	9.84	2.43	10.46	2.52	10.88	2.54
	22	9.05	2.24	9.47	2.27	9.89	2.34	10.09	2.34	10.71	2.42	11.13	2.44
24 + 16 + 07 + 07	46	7.04	3.00	7.46	3.05	7.87	3.09	8.08	3.11	8.70	3.17	9.12	3.22
	43	7.29	2.91	7.71	2.95	8.12	2.99	8.33	3.02	8.95	3.08	9.37	3.12
	40	7.54	2.81	7.96	2.85	8.38	2.90	8.58	2.92	9.20	2.98	9.62	3.03
	35	7.96	2.63	8.38	2.67	8.79	2.72	9.00	2.74	9.62	2.80	10.04	2.85
	32	8.21	2.56	8.63	2.59	9.05	2.65	9.26	2.66	9.87	2.73	10.29	2.77
	25	8.80	2.34	9.22	2.36	9.63	2.43	9.84	2.43	10.46	2.52	10.88	2.54
	22	9.05	2.24	9.47	2.27	9.89	2.34	10.09	2.34	10.71	2.42	11.13	2.44

Cooling

5 - rooms multisplit : 4 - unit operation

Indoor units : 18 type + 18 type + 07 type + 07 type
 22 type + 18 type + 07 type + 07 type
 24 type + 18 type + 07 type + 07 type
 10 type + 10 type + 10 type + 07 type

13 type + 10 type + 10 type + 07 type
 16 type + 10 type + 10 type + 07 type
 18 type + 10 type + 10 type + 07 type
 22 type + 10 type + 10 type + 07 type

TC : Total capacity [kW]
 PI : Power input [kW]

Outdoor unit : RAS-5M34U2AVG-E

Combination (Capacity)	Outdoor air temp. [°C DB]	Indoor air temp. [°C WB]											
		14		16		18		19		22		24	
		TC [kW]	PI [kW]	TC [kW]	PI [kW]	TC [kW]	PI [kW]	TC [kW]	PI [kW]	TC [kW]	PI [kW]	TC [kW]	PI [kW]
18 + 18 + 07 + 07	46	7.04	3.00	7.46	3.05	7.87	3.09	8.08	3.11	8.70	3.17	9.12	3.22
	43	7.29	2.91	7.71	2.95	8.12	2.99	8.33	3.02	8.95	3.08	9.37	3.12
	40	7.54	2.81	7.96	2.85	8.38	2.90	8.58	2.92	9.20	2.98	9.62	3.03
	35	7.96	2.63	8.38	2.67	8.79	2.72	9.00	2.74	9.62	2.80	10.04	2.85
	32	8.21	2.56	8.63	2.59	9.05	2.65	9.26	2.66	9.87	2.73	10.29	2.77
	25	8.80	2.34	9.22	2.36	9.63	2.43	9.84	2.43	10.46	2.52	10.88	2.54
	22	9.05	2.24	9.47	2.27	9.89	2.34	10.09	2.34	10.71	2.42	11.13	2.44
22 + 18 + 07 + 07	46	7.04	3.00	7.46	3.05	7.87	3.09	8.08	3.11	8.70	3.17	9.12	3.22
	43	7.29	2.91	7.71	2.95	8.12	2.99	8.33	3.02	8.95	3.08	9.37	3.12
	40	7.54	2.81	7.96	2.85	8.38	2.90	8.58	2.92	9.20	2.98	9.62	3.03
	35	7.96	2.63	8.38	2.67	8.79	2.72	9.00	2.74	9.62	2.80	10.04	2.85
	32	8.21	2.56	8.63	2.59	9.05	2.65	9.26	2.66	9.87	2.73	10.29	2.77
	25	8.80	2.34	9.22	2.36	9.63	2.43	9.84	2.43	10.46	2.52	10.88	2.54
	22	9.05	2.24	9.47	2.27	9.89	2.34	10.09	2.34	10.71	2.42	11.13	2.44
24 + 18 + 07 + 07	46	7.04	3.00	7.46	3.05	7.87	3.09	8.08	3.11	8.70	3.17	9.12	3.22
	43	7.29	2.91	7.71	2.95	8.12	2.99	8.33	3.02	8.95	3.08	9.37	3.12
	40	7.54	2.81	7.96	2.85	8.38	2.90	8.58	2.92	9.20	2.98	9.62	3.03
	35	7.96	2.63	8.38	2.67	8.79	2.72	9.00	2.74	9.62	2.80	10.04	2.85
	32	8.21	2.56	8.63	2.59	9.05	2.65	9.26	2.66	9.87	2.73	10.29	2.77
	25	8.80	2.34	9.22	2.36	9.63	2.43	9.84	2.43	10.46	2.52	10.88	2.54
	22	9.05	2.24	9.47	2.27	9.89	2.34	10.09	2.34	10.71	2.42	11.13	2.44
10 + 10 + 10 + 07	46	6.73	2.98	7.13	3.02	7.52	3.06	7.72	3.09	8.32	3.15	8.71	3.20
	43	6.97	2.89	7.37	2.93	7.76	2.97	7.96	2.99	8.55	3.06	8.95	3.10
	40	7.21	2.79	7.61	2.83	8.00	2.88	8.20	2.90	8.79	2.96	9.20	3.00
	35	7.61	2.61	8.00	2.66	8.40	2.70	8.60	2.72	9.19	2.78	9.59	2.83
	32	7.85	2.54	8.25	2.57	8.64	2.63	8.84	2.64	9.43	2.71	9.84	2.75
	25	8.41	2.32	8.81	2.35	9.21	2.41	9.40	2.42	9.99	2.50	10.40	2.52
	22	8.65	2.22	9.05	2.25	9.45	2.32	9.65	2.32	10.23	2.40	10.64	2.42
13 + 10 + 10 + 07	46	6.89	2.99	7.29	3.03	7.70	3.07	7.90	3.10	8.51	3.16	8.92	3.21
	43	7.13	2.90	7.54	2.94	7.94	2.98	8.15	3.01	8.75	3.07	9.16	3.11
	40	7.38	2.80	7.78	2.84	8.19	2.89	8.39	2.91	9.00	2.97	9.41	3.01
	35	7.78	2.62	8.19	2.66	8.60	2.71	8.80	2.73	9.41	2.79	9.81	2.84
	32	8.03	2.55	8.44	2.58	8.85	2.64	9.05	2.65	9.65	2.72	10.06	2.76
	25	8.61	2.33	9.01	2.35	9.42	2.42	9.62	2.42	10.22	2.51	10.64	2.53
	22	8.85	2.23	9.26	2.26	9.67	2.33	9.87	2.33	10.47	2.41	10.88	2.43
16 + 10 + 10 + 07	46	6.96	2.99	7.37	3.03	7.78	3.07	7.99	3.10	8.61	3.16	9.02	3.21
	43	7.21	2.90	7.62	2.94	8.03	2.98	8.24	3.01	8.85	3.07	9.27	3.11
	40	7.46	2.80	7.87	2.84	8.28	2.89	8.49	2.91	9.10	2.97	9.52	3.01
	35	7.87	2.62	8.28	2.66	8.69	2.71	8.90	2.73	9.52	2.79	9.93	2.84
	32	8.12	2.55	8.53	2.58	8.95	2.64	9.15	2.65	9.76	2.72	10.18	2.76
	25	8.70	2.33	9.12	2.35	9.53	2.42	9.73	2.42	10.34	2.51	10.76	2.53
	22	8.95	2.23	9.36	2.26	9.78	2.33	9.98	2.33	10.59	2.41	11.01	2.43
18 + 10 + 10 + 07	46	7.04	3.00	7.46	3.05	7.87	3.09	8.08	3.11	8.70	3.17	9.12	3.22
	43	7.29	2.91	7.71	2.95	8.12	2.99	8.33	3.02	8.95	3.08	9.37	3.12
	40	7.54	2.81	7.96	2.85	8.38	2.90	8.58	2.92	9.20	2.98	9.62	3.03
	35	7.96	2.63	8.38	2.67	8.79	2.72	9.00	2.74	9.62	2.80	10.04	2.85
	32	8.21	2.56	8.63	2.59	9.05	2.65	9.26	2.66	9.87	2.73	10.29	2.77
	25	8.80	2.34	9.22	2.36	9.63	2.43	9.84	2.43	10.46	2.52	10.88	2.54
	22	9.05	2.24	9.47	2.27	9.89	2.34	10.09	2.34	10.71	2.42	11.13	2.44
22 + 10 + 10 + 07	46	7.04	3.00	7.46	3.05	7.87	3.09	8.08	3.11	8.70	3.17	9.12	3.22
	43	7.29	2.91	7.71	2.95	8.12	2.99	8.33	3.02	8.95	3.08	9.37	3.12
	40	7.54	2.81	7.96	2.85	8.38	2.90	8.58	2.92	9.20	2.98	9.62	3.03
	35	7.96	2.63	8.38	2.67	8.79	2.72	9.00	2.74	9.62	2.80	10.04	2.85
	32	8.21	2.56	8.63	2.59	9.05	2.65	9.26	2.66	9.87	2.73	10.29	2.77
	25	8.80	2.34	9.22	2.36	9.63	2.43	9.84	2.43	10.46	2.52	10.88	2.54
	22	9.05	2.24	9.47	2.27	9.89	2.34	10.09	2.34	10.71	2.42	11.13	2.44

Cooling

5 - rooms multisplit : 4 - unit operation

Indoor units : 24 type + 10 type + 10 type + 07 type
 13 type + 13 type + 10 type + 07 type
 16 type + 13 type + 10 type + 07 type
 18 type + 13 type + 10 type + 07 type

22 type + 13 type + 10 type + 07 type
 24 type + 13 type + 10 type + 07 type
 16 type + 16 type + 10 type + 07 type
 18 type + 16 type + 10 type + 07 type

TC : Total capacity [kW]
 PI : Power input [kW]

Outdoor unit : RAS-5M34U2AVG-E

Combination (Capacity)	Outdoor air temp. [°C DB]	Indoor air temp. [°C WB]											
		14		16		18		19		22		24	
		TC [kW]	PI [kW]	TC [kW]	PI [kW]	TC [kW]	PI [kW]	TC [kW]	PI [kW]	TC [kW]	PI [kW]	TC [kW]	PI [kW]
24 + 10 + 10 + 07	46	7.04	3.00	7.46	3.05	7.87	3.09	8.08	3.11	8.70	3.17	9.12	3.22
	43	7.29	2.91	7.71	2.95	8.12	2.99	8.33	3.02	8.95	3.08	9.37	3.12
	40	7.54	2.81	7.96	2.85	8.38	2.90	8.58	2.92	9.20	2.98	9.62	3.03
	35	7.96	2.63	8.38	2.67	8.79	2.72	9.00	2.74	9.62	2.80	10.04	2.85
	32	8.21	2.56	8.63	2.59	9.05	2.65	9.26	2.66	9.87	2.73	10.29	2.77
	25	8.80	2.34	9.22	2.36	9.63	2.43	9.84	2.43	10.46	2.52	10.88	2.54
	22	9.05	2.24	9.47	2.27	9.89	2.34	10.09	2.34	10.71	2.42	11.13	2.44
13 + 13 + 10 + 07	46	7.04	3.00	7.46	3.05	7.87	3.09	8.08	3.11	8.70	3.17	9.12	3.22
	43	7.29	2.91	7.71	2.95	8.12	2.99	8.33	3.02	8.95	3.08	9.37	3.12
	40	7.54	2.81	7.96	2.85	8.38	2.90	8.58	2.92	9.20	2.98	9.62	3.03
	35	7.96	2.63	8.38	2.67	8.79	2.72	9.00	2.74	9.62	2.80	10.04	2.85
	32	8.21	2.56	8.63	2.59	9.05	2.65	9.26	2.66	9.87	2.73	10.29	2.77
	25	8.80	2.34	9.22	2.36	9.63	2.43	9.84	2.43	10.46	2.52	10.88	2.54
	22	9.05	2.24	9.47	2.27	9.89	2.34	10.09	2.34	10.71	2.42	11.13	2.44
16 + 13 + 10 + 07	46	7.04	3.00	7.46	3.05	7.87	3.09	8.08	3.11	8.70	3.17	9.12	3.22
	43	7.29	2.91	7.71	2.95	8.12	2.99	8.33	3.02	8.95	3.08	9.37	3.12
	40	7.54	2.81	7.96	2.85	8.38	2.90	8.58	2.92	9.20	2.98	9.62	3.03
	35	7.96	2.63	8.38	2.67	8.79	2.72	9.00	2.74	9.62	2.80	10.04	2.85
	32	8.21	2.56	8.63	2.59	9.05	2.65	9.26	2.66	9.87	2.73	10.29	2.77
	25	8.80	2.34	9.22	2.36	9.63	2.43	9.84	2.43	10.46	2.52	10.88	2.54
	22	9.05	2.24	9.47	2.27	9.89	2.34	10.09	2.34	10.71	2.42	11.13	2.44
18 + 13 + 10 + 07	46	7.04	3.00	7.46	3.05	7.87	3.09	8.08	3.11	8.70	3.17	9.12	3.22
	43	7.29	2.91	7.71	2.95	8.12	2.99	8.33	3.02	8.95	3.08	9.37	3.12
	40	7.54	2.81	7.96	2.85	8.38	2.90	8.58	2.92	9.20	2.98	9.62	3.03
	35	7.96	2.63	8.38	2.67	8.79	2.72	9.00	2.74	9.62	2.80	10.04	2.85
	32	8.21	2.56	8.63	2.59	9.05	2.65	9.26	2.66	9.87	2.73	10.29	2.77
	25	8.80	2.34	9.22	2.36	9.63	2.43	9.84	2.43	10.46	2.52	10.88	2.54
	22	9.05	2.24	9.47	2.27	9.89	2.34	10.09	2.34	10.71	2.42	11.13	2.44
22 + 13 + 10 + 07	46	7.04	3.00	7.46	3.05	7.87	3.09	8.08	3.11	8.70	3.17	9.12	3.22
	43	7.29	2.91	7.71	2.95	8.12	2.99	8.33	3.02	8.95	3.08	9.37	3.12
	40	7.54	2.81	7.96	2.85	8.38	2.90	8.58	2.92	9.20	2.98	9.62	3.03
	35	7.96	2.63	8.38	2.67	8.79	2.72	9.00	2.74	9.62	2.80	10.04	2.85
	32	8.21	2.56	8.63	2.59	9.05	2.65	9.26	2.66	9.87	2.73	10.29	2.77
	25	8.80	2.34	9.22	2.36	9.63	2.43	9.84	2.43	10.46	2.52	10.88	2.54
	22	9.05	2.24	9.47	2.27	9.89	2.34	10.09	2.34	10.71	2.42	11.13	2.44
24 + 13 + 10 + 07	46	7.04	3.00	7.46	3.05	7.87	3.09	8.08	3.11	8.70	3.17	9.12	3.22
	43	7.29	2.91	7.71	2.95	8.12	2.99	8.33	3.02	8.95	3.08	9.37	3.12
	40	7.54	2.81	7.96	2.85	8.38	2.90	8.58	2.92	9.20	2.98	9.62	3.03
	35	7.96	2.63	8.38	2.67	8.79	2.72	9.00	2.74	9.62	2.80	10.04	2.85
	32	8.21	2.56	8.63	2.59	9.05	2.65	9.26	2.66	9.87	2.73	10.29	2.77
	25	8.80	2.34	9.22	2.36	9.63	2.43	9.84	2.43	10.46	2.52	10.88	2.54
	22	9.05	2.24	9.47	2.27	9.89	2.34	10.09	2.34	10.71	2.42	11.13	2.44
16 + 16 + 10 + 07	46	7.04	3.00	7.46	3.05	7.87	3.09	8.08	3.11	8.70	3.17	9.12	3.22
	43	7.29	2.91	7.71	2.95	8.12	2.99	8.33	3.02	8.95	3.08	9.37	3.12
	40	7.54	2.81	7.96	2.85	8.38	2.90	8.58	2.92	9.20	2.98	9.62	3.03
	35	7.96	2.63	8.38	2.67	8.79	2.72	9.00	2.74	9.62	2.80	10.04	2.85
	32	8.21	2.56	8.63	2.59	9.05	2.65	9.26	2.66	9.87	2.73	10.29	2.77
	25	8.80	2.34	9.22	2.36	9.63	2.43	9.84	2.43	10.46	2.52	10.88	2.54
	22	9.05	2.24	9.47	2.27	9.89	2.34	10.09	2.34	10.71	2.42	11.13	2.44
18 + 16 + 10 + 07	46	7.04	3.00	7.46	3.05	7.87	3.09	8.08	3.11	8.70	3.17	9.12	3.22
	43	7.29	2.91	7.71	2.95	8.12	2.99	8.33	3.02	8.95	3.08	9.37	3.12
	40	7.54	2.81	7.96	2.85	8.38	2.90	8.58	2.92	9.20	2.98	9.62	3.03
	35	7.96	2.63	8.38	2.67	8.79	2.72	9.00	2.74	9.62	2.80	10.04	2.85
	32	8.21	2.56	8.63	2.59	9.05	2.65	9.26	2.66	9.87	2.73	10.29	2.77
	25	8.80	2.34	9.22	2.36	9.63	2.43	9.84	2.43	10.46	2.52	10.88	2.54
	22	9.05	2.24	9.47	2.27	9.89	2.34	10.09	2.34	10.71	2.42	11.13	2.44

Cooling

5 - rooms multisplit : 4 - unit operation

Indoor units : 22 type + 16 type + 10 type + 07 type
 24 type + 16 type + 10 type + 07 type
 18 type + 18 type + 10 type + 07 type
 22 type + 18 type + 10 type + 07 type

24 type + 18 type + 10 type + 07 type
 13 type + 13 type + 13 type + 07 type
 16 type + 13 type + 13 type + 07 type
 18 type + 13 type + 13 type + 07 type

TC : Total capacity [kW]
 PI : Power input [kW]

Outdoor unit : RAS-5M34U2AVG-E

Combination (Capacity)	Outdoor air temp. [°C DB]	Indoor air temp. [°C WB]											
		14		16		18		19		22		24	
		TC [kW]	PI [kW]	TC [kW]	PI [kW]	TC [kW]	PI [kW]	TC [kW]	PI [kW]	TC [kW]	PI [kW]	TC [kW]	PI [kW]
22 + 16 + 10 + 07	46	7.04	3.00	7.46	3.05	7.87	3.09	8.08	3.11	8.70	3.17	9.12	3.22
	43	7.29	2.91	7.71	2.95	8.12	2.99	8.33	3.02	8.95	3.08	9.37	3.12
	40	7.54	2.81	7.96	2.85	8.38	2.90	8.58	2.92	9.20	2.98	9.62	3.03
	35	7.96	2.63	8.38	2.67	8.79	2.72	9.00	2.74	9.62	2.80	10.04	2.85
	32	8.21	2.56	8.63	2.59	9.05	2.65	9.26	2.66	9.87	2.73	10.29	2.77
	25	8.80	2.34	9.22	2.36	9.63	2.43	9.84	2.43	10.46	2.52	10.88	2.54
	22	9.05	2.24	9.47	2.27	9.89	2.34	10.09	2.34	10.71	2.42	11.13	2.44
24 + 16 + 10 + 07	46	7.04	3.00	7.46	3.05	7.87	3.09	8.08	3.11	8.70	3.17	9.12	3.22
	43	7.29	2.91	7.71	2.95	8.12	2.99	8.33	3.02	8.95	3.08	9.37	3.12
	40	7.54	2.81	7.96	2.85	8.38	2.90	8.58	2.92	9.20	2.98	9.62	3.03
	35	7.96	2.63	8.38	2.67	8.79	2.72	9.00	2.74	9.62	2.80	10.04	2.85
	32	8.21	2.56	8.63	2.59	9.05	2.65	9.26	2.66	9.87	2.73	10.29	2.77
	25	8.80	2.34	9.22	2.36	9.63	2.43	9.84	2.43	10.46	2.52	10.88	2.54
	22	9.05	2.24	9.47	2.27	9.89	2.34	10.09	2.34	10.71	2.42	11.13	2.44
18 + 18 + 10 + 07	46	7.04	3.00	7.46	3.05	7.87	3.09	8.08	3.11	8.70	3.17	9.12	3.22
	43	7.29	2.91	7.71	2.95	8.12	2.99	8.33	3.02	8.95	3.08	9.37	3.12
	40	7.54	2.81	7.96	2.85	8.38	2.90	8.58	2.92	9.20	2.98	9.62	3.03
	35	7.96	2.63	8.38	2.67	8.79	2.72	9.00	2.74	9.62	2.80	10.04	2.85
	32	8.21	2.56	8.63	2.59	9.05	2.65	9.26	2.66	9.87	2.73	10.29	2.77
	25	8.80	2.34	9.22	2.36	9.63	2.43	9.84	2.43	10.46	2.52	10.88	2.54
	22	9.05	2.24	9.47	2.27	9.89	2.34	10.09	2.34	10.71	2.42	11.13	2.44
22 + 18 + 10 + 07	46	7.04	3.00	7.46	3.05	7.87	3.09	8.08	3.11	8.70	3.17	9.12	3.22
	43	7.29	2.91	7.71	2.95	8.12	2.99	8.33	3.02	8.95	3.08	9.37	3.12
	40	7.54	2.81	7.96	2.85	8.38	2.90	8.58	2.92	9.20	2.98	9.62	3.03
	35	7.96	2.63	8.38	2.67	8.79	2.72	9.00	2.74	9.62	2.80	10.04	2.85
	32	8.21	2.56	8.63	2.59	9.05	2.65	9.26	2.66	9.87	2.73	10.29	2.77
	25	8.80	2.34	9.22	2.36	9.63	2.43	9.84	2.43	10.46	2.52	10.88	2.54
	22	9.05	2.24	9.47	2.27	9.89	2.34	10.09	2.34	10.71	2.42	11.13	2.44
24 + 18 + 10 + 07	46	7.04	3.00	7.46	3.05	7.87	3.09	8.08	3.11	8.70	3.17	9.12	3.22
	43	7.29	2.91	7.71	2.95	8.12	2.99	8.33	3.02	8.95	3.08	9.37	3.12
	40	7.54	2.81	7.96	2.85	8.38	2.90	8.58	2.92	9.20	2.98	9.62	3.03
	35	7.96	2.63	8.38	2.67	8.79	2.72	9.00	2.74	9.62	2.80	10.04	2.85
	32	8.21	2.56	8.63	2.59	9.05	2.65	9.26	2.66	9.87	2.73	10.29	2.77
	25	8.80	2.34	9.22	2.36	9.63	2.43	9.84	2.43	10.46	2.52	10.88	2.54
	22	9.05	2.24	9.47	2.27	9.89	2.34	10.09	2.34	10.71	2.42	11.13	2.44
13 + 13 + 13 + 07	46	7.04	3.00	7.46	3.05	7.87	3.09	8.08	3.11	8.70	3.17	9.12	3.22
	43	7.29	2.91	7.71	2.95	8.12	2.99	8.33	3.02	8.95	3.08	9.37	3.12
	40	7.54	2.81	7.96	2.85	8.38	2.90	8.58	2.92	9.20	2.98	9.62	3.03
	35	7.96	2.63	8.38	2.67	8.79	2.72	9.00	2.74	9.62	2.80	10.04	2.85
	32	8.21	2.56	8.63	2.59	9.05	2.65	9.26	2.66	9.87	2.73	10.29	2.77
	25	8.80	2.34	9.22	2.36	9.63	2.43	9.84	2.43	10.46	2.52	10.88	2.54
	22	9.05	2.24	9.47	2.27	9.89	2.34	10.09	2.34	10.71	2.42	11.13	2.44
16 + 13 + 13 + 07	46	7.04	3.00	7.46	3.05	7.87	3.09	8.08	3.11	8.70	3.17	9.12	3.22
	43	7.29	2.91	7.71	2.95	8.12	2.99	8.33	3.02	8.95	3.08	9.37	3.12
	40	7.54	2.81	7.96	2.85	8.38	2.90	8.58	2.92	9.20	2.98	9.62	3.03
	35	7.96	2.63	8.38	2.67	8.79	2.72	9.00	2.74	9.62	2.80	10.04	2.85
	32	8.21	2.56	8.63	2.59	9.05	2.65	9.26	2.66	9.87	2.73	10.29	2.77
	25	8.80	2.34	9.22	2.36	9.63	2.43	9.84	2.43	10.46	2.52	10.88	2.54
	22	9.05	2.24	9.47	2.27	9.89	2.34	10.09	2.34	10.71	2.42	11.13	2.44
18 + 13 + 13 + 07	46	7.04	3.00	7.46	3.05	7.87	3.09	8.08	3.11	8.70	3.17	9.12	3.22
	43	7.29	2.91	7.71	2.95	8.12	2.99	8.33	3.02	8.95	3.08	9.37	3.12
	40	7.54	2.81	7.96	2.85	8.38	2.90	8.58	2.92	9.20	2.98	9.62	3.03
	35	7.96	2.63	8.38	2.67	8.79	2.72	9.00	2.74	9.62	2.80	10.04	2.85
	32	8.21	2.56	8.63	2.59	9.05	2.65	9.26	2.66	9.87	2.73	10.29	2.77
	25	8.80	2.34	9.22	2.36	9.63	2.43	9.84	2.43	10.46	2.52	10.88	2.54
	22	9.05	2.24	9.47	2.27	9.89	2.34	10.09	2.34	10.71	2.42	11.13	2.44

Cooling

5 - rooms multisplit : 4 - unit operation

Indoor units : 22 type + 13 type + 13 type + 07 type
 24 type + 13 type + 13 type + 07 type
 16 type + 16 type + 13 type + 07 type
 18 type + 16 type + 13 type + 07 type

22 type + 16 type + 13 type + 07 type
 24 type + 16 type + 13 type + 07 type
 18 type + 18 type + 13 type + 07 type
 22 type + 18 type + 13 type + 07 type

TC : Total capacity [kW]
 PI : Power input [kW]

Outdoor unit : RAS-5M34U2AVG-E

Combination (Capacity)	Outdoor air temp. [°C DB]	Indoor air temp. [°C WB]											
		14		16		18		19		22		24	
		TC [kW]	PI [kW]	TC [kW]	PI [kW]	TC [kW]	PI [kW]	TC [kW]	PI [kW]	TC [kW]	PI [kW]	TC [kW]	PI [kW]
22 + 13 + 13 + 07	46	7.04	3.00	7.46	3.05	7.87	3.09	8.08	3.11	8.70	3.17	9.12	3.22
	43	7.29	2.91	7.71	2.95	8.12	2.99	8.33	3.02	8.95	3.08	9.37	3.12
	40	7.54	2.81	7.96	2.85	8.38	2.90	8.58	2.92	9.20	2.98	9.62	3.03
	35	7.96	2.63	8.38	2.67	8.79	2.72	9.00	2.74	9.62	2.80	10.04	2.85
	32	8.21	2.56	8.63	2.59	9.05	2.65	9.26	2.66	9.87	2.73	10.29	2.77
	25	8.80	2.34	9.22	2.36	9.63	2.43	9.84	2.43	10.46	2.52	10.88	2.54
	22	9.05	2.24	9.47	2.27	9.89	2.34	10.09	2.34	10.71	2.42	11.13	2.44
24 + 13 + 13 + 07	46	7.04	3.00	7.46	3.05	7.87	3.09	8.08	3.11	8.70	3.17	9.12	3.22
	43	7.29	2.91	7.71	2.95	8.12	2.99	8.33	3.02	8.95	3.08	9.37	3.12
	40	7.54	2.81	7.96	2.85	8.38	2.90	8.58	2.92	9.20	2.98	9.62	3.03
	35	7.96	2.63	8.38	2.67	8.79	2.72	9.00	2.74	9.62	2.80	10.04	2.85
	32	8.21	2.56	8.63	2.59	9.05	2.65	9.26	2.66	9.87	2.73	10.29	2.77
	25	8.80	2.34	9.22	2.36	9.63	2.43	9.84	2.43	10.46	2.52	10.88	2.54
	22	9.05	2.24	9.47	2.27	9.89	2.34	10.09	2.34	10.71	2.42	11.13	2.44
16 + 16 + 13 + 07	46	7.04	3.00	7.46	3.05	7.87	3.09	8.08	3.11	8.70	3.17	9.12	3.22
	43	7.29	2.91	7.71	2.95	8.12	2.99	8.33	3.02	8.95	3.08	9.37	3.12
	40	7.54	2.81	7.96	2.85	8.38	2.90	8.58	2.92	9.20	2.98	9.62	3.03
	35	7.96	2.63	8.38	2.67	8.79	2.72	9.00	2.74	9.62	2.80	10.04	2.85
	32	8.21	2.56	8.63	2.59	9.05	2.65	9.26	2.66	9.87	2.73	10.29	2.77
	25	8.80	2.34	9.22	2.36	9.63	2.43	9.84	2.43	10.46	2.52	10.88	2.54
	22	9.05	2.24	9.47	2.27	9.89	2.34	10.09	2.34	10.71	2.42	11.13	2.44
18 + 16 + 13 + 07	46	7.04	3.00	7.46	3.05	7.87	3.09	8.08	3.11	8.70	3.17	9.12	3.22
	43	7.29	2.91	7.71	2.95	8.12	2.99	8.33	3.02	8.95	3.08	9.37	3.12
	40	7.54	2.81	7.96	2.85	8.38	2.90	8.58	2.92	9.20	2.98	9.62	3.03
	35	7.96	2.63	8.38	2.67	8.79	2.72	9.00	2.74	9.62	2.80	10.04	2.85
	32	8.21	2.56	8.63	2.59	9.05	2.65	9.26	2.66	9.87	2.73	10.29	2.77
	25	8.80	2.34	9.22	2.36	9.63	2.43	9.84	2.43	10.46	2.52	10.88	2.54
	22	9.05	2.24	9.47	2.27	9.89	2.34	10.09	2.34	10.71	2.42	11.13	2.44
22 + 16 + 13 + 07	46	7.04	3.00	7.46	3.05	7.87	3.09	8.08	3.11	8.70	3.17	9.12	3.22
	43	7.29	2.91	7.71	2.95	8.12	2.99	8.33	3.02	8.95	3.08	9.37	3.12
	40	7.54	2.81	7.96	2.85	8.38	2.90	8.58	2.92	9.20	2.98	9.62	3.03
	35	7.96	2.63	8.38	2.67	8.79	2.72	9.00	2.74	9.62	2.80	10.04	2.85
	32	8.21	2.56	8.63	2.59	9.05	2.65	9.26	2.66	9.87	2.73	10.29	2.77
	25	8.80	2.34	9.22	2.36	9.63	2.43	9.84	2.43	10.46	2.52	10.88	2.54
	22	9.05	2.24	9.47	2.27	9.89	2.34	10.09	2.34	10.71	2.42	11.13	2.44
24 + 16 + 13 + 07	46	7.04	3.00	7.46	3.05	7.87	3.09	8.08	3.11	8.70	3.17	9.12	3.22
	43	7.29	2.91	7.71	2.95	8.12	2.99	8.33	3.02	8.95	3.08	9.37	3.12
	40	7.54	2.81	7.96	2.85	8.38	2.90	8.58	2.92	9.20	2.98	9.62	3.03
	35	7.96	2.63	8.38	2.67	8.79	2.72	9.00	2.74	9.62	2.80	10.04	2.85
	32	8.21	2.56	8.63	2.59	9.05	2.65	9.26	2.66	9.87	2.73	10.29	2.77
	25	8.80	2.34	9.22	2.36	9.63	2.43	9.84	2.43	10.46	2.52	10.88	2.54
	22	9.05	2.24	9.47	2.27	9.89	2.34	10.09	2.34	10.71	2.42	11.13	2.44
18 + 18 + 13 + 07	46	7.04	3.00	7.46	3.05	7.87	3.09	8.08	3.11	8.70	3.17	9.12	3.22
	43	7.29	2.91	7.71	2.95	8.12	2.99	8.33	3.02	8.95	3.08	9.37	3.12
	40	7.54	2.81	7.96	2.85	8.38	2.90	8.58	2.92	9.20	2.98	9.62	3.03
	35	7.96	2.63	8.38	2.67	8.79	2.72	9.00	2.74	9.62	2.80	10.04	2.85
	32	8.21	2.56	8.63	2.59	9.05	2.65	9.26	2.66	9.87	2.73	10.29	2.77
	25	8.80	2.34	9.22	2.36	9.63	2.43	9.84	2.43	10.46	2.52	10.88	2.54
	22	9.05	2.24	9.47	2.27	9.89	2.34	10.09	2.34	10.71	2.42	11.13	2.44
22 + 18 + 13 + 07	46	7.04	3.00	7.46	3.05	7.87	3.09	8.08	3.11	8.70	3.17	9.12	3.22
	43	7.29	2.91	7.71	2.95	8.12	2.99	8.33	3.02	8.95	3.08	9.37	3.12
	40	7.54	2.81	7.96	2.85	8.38	2.90	8.58	2.92	9.20	2.98	9.62	3.03
	35	7.96	2.63	8.38	2.67	8.79	2.72	9.00	2.74	9.62	2.80	10.04	2.85
	32	8.21	2.56	8.63	2.59	9.05	2.65	9.26	2.66	9.87	2.73	10.29	2.77
	25	8.80	2.34	9.22	2.36	9.63	2.43	9.84	2.43	10.46	2.52	10.88	2.54
	22	9.05	2.24	9.47	2.27	9.89	2.34	10.09	2.34	10.71	2.42	11.13	2.44

Cooling

5 - rooms multisplit : 4 - unit operation

Indoor units : 24 type + 18 type + 13 type + 07 type
 10 type + 10 type + 10 type + 10 type
 13 type + 10 type + 10 type + 10 type
 16 type + 10 type + 10 type + 10 type

18 type + 10 type + 10 type + 10 type
 22 type + 10 type + 10 type + 10 type
 24 type + 10 type + 10 type + 10 type
 13 type + 13 type + 10 type + 10 type

TC : Total capacity [kW]
 PI : Power input [kW]

Outdoor unit : RAS-5M34U2AVG-E

Combination (Capacity)	Outdoor air temp. [°C DB]	Indoor air temp. [°C WB]											
		14		16		18		19		22		24	
		TC [kW]	PI [kW]	TC [kW]	PI [kW]	TC [kW]	PI [kW]	TC [kW]	PI [kW]	TC [kW]	PI [kW]	TC [kW]	PI [kW]
24 + 18 + 13 + 07	46	7.04	3.00	7.46	3.05	7.87	3.09	8.08	3.11	8.70	3.17	9.12	3.22
	43	7.29	2.91	7.71	2.95	8.12	2.99	8.33	3.02	8.95	3.08	9.37	3.12
	40	7.54	2.81	7.96	2.85	8.38	2.90	8.58	2.92	9.20	2.98	9.62	3.03
	35	7.96	2.63	8.38	2.67	8.79	2.72	9.00	2.74	9.62	2.80	10.04	2.85
	32	8.21	2.56	8.63	2.59	9.05	2.65	9.26	2.66	9.87	2.73	10.29	2.77
	25	8.80	2.34	9.22	2.36	9.63	2.43	9.84	2.43	10.46	2.52	10.88	2.54
	22	9.05	2.24	9.47	2.27	9.89	2.34	10.09	2.34	10.71	2.42	11.13	2.44
10 + 10 + 10 + 10	46	6.81	2.98	7.21	3.02	7.61	3.06	7.81	3.09	8.41	3.15	8.82	3.20
	43	7.05	2.89	7.45	2.93	7.85	2.97	8.06	2.99	8.65	3.06	9.06	3.10
	40	7.29	2.79	7.69	2.83	8.10	2.88	8.30	2.90	8.90	2.96	9.30	3.00
	35	7.69	2.61	8.10	2.66	8.50	2.70	8.70	2.72	9.30	2.78	9.70	2.83
	32	7.94	2.54	8.34	2.57	8.75	2.63	8.95	2.64	9.54	2.71	9.95	2.75
	25	8.51	2.32	8.91	2.35	9.31	2.41	9.51	2.42	10.11	2.50	10.52	2.52
	22	8.75	2.22	9.15	2.25	9.56	2.32	9.76	2.32	10.35	2.40	10.76	2.42
13 + 10 + 10 + 10	46	6.96	2.99	7.37	3.03	7.78	3.07	7.99	3.10	8.61	3.16	9.02	3.21
	43	7.21	2.90	7.62	2.94	8.03	2.98	8.24	3.01	8.85	3.07	9.27	3.11
	40	7.46	2.80	7.87	2.84	8.28	2.89	8.49	2.91	9.10	2.97	9.52	3.01
	35	7.87	2.62	8.28	2.66	8.69	2.71	8.90	2.73	9.52	2.79	9.93	2.84
	32	8.12	2.55	8.53	2.58	8.95	2.64	9.15	2.65	9.76	2.72	10.18	2.76
	25	8.70	2.33	9.12	2.35	9.53	2.42	9.73	2.42	10.34	2.51	10.76	2.53
	22	8.95	2.23	9.36	2.26	9.78	2.33	9.98	2.33	10.59	2.41	11.01	2.43
16 + 10 + 10 + 10	46	7.04	3.00	7.46	3.05	7.87	3.09	8.08	3.11	8.70	3.17	9.12	3.22
	43	7.29	2.91	7.71	2.95	8.12	2.99	8.33	3.02	8.95	3.08	9.37	3.12
	40	7.54	2.81	7.96	2.85	8.38	2.90	8.58	2.92	9.20	2.98	9.62	3.03
	35	7.96	2.63	8.38	2.67	8.79	2.72	9.00	2.74	9.62	2.80	10.04	2.85
	32	8.21	2.56	8.63	2.59	9.05	2.65	9.26	2.66	9.87	2.73	10.29	2.77
	25	8.80	2.34	9.22	2.36	9.63	2.43	9.84	2.43	10.46	2.52	10.88	2.54
	22	9.05	2.24	9.47	2.27	9.89	2.34	10.09	2.34	10.71	2.42	11.13	2.44
18 + 10 + 10 + 10	46	7.04	3.00	7.46	3.05	7.87	3.09	8.08	3.11	8.70	3.17	9.12	3.22
	43	7.29	2.91	7.71	2.95	8.12	2.99	8.33	3.02	8.95	3.08	9.37	3.12
	40	7.54	2.81	7.96	2.85	8.38	2.90	8.58	2.92	9.20	2.98	9.62	3.03
	35	7.96	2.63	8.38	2.67	8.79	2.72	9.00	2.74	9.62	2.80	10.04	2.85
	32	8.21	2.56	8.63	2.59	9.05	2.65	9.26	2.66	9.87	2.73	10.29	2.77
	25	8.80	2.34	9.22	2.36	9.63	2.43	9.84	2.43	10.46	2.52	10.88	2.54
	22	9.05	2.24	9.47	2.27	9.89	2.34	10.09	2.34	10.71	2.42	11.13	2.44
22 + 10 + 10 + 10	46	7.04	3.00	7.46	3.05	7.87	3.09	8.08	3.11	8.70	3.17	9.12	3.22
	43	7.29	2.91	7.71	2.95	8.12	2.99	8.33	3.02	8.95	3.08	9.37	3.12
	40	7.54	2.81	7.96	2.85	8.38	2.90	8.58	2.92	9.20	2.98	9.62	3.03
	35	7.96	2.63	8.38	2.67	8.79	2.72	9.00	2.74	9.62	2.80	10.04	2.85
	32	8.21	2.56	8.63	2.59	9.05	2.65	9.26	2.66	9.87	2.73	10.29	2.77
	25	8.80	2.34	9.22	2.36	9.63	2.43	9.84	2.43	10.46	2.52	10.88	2.54
	22	9.05	2.24	9.47	2.27	9.89	2.34	10.09	2.34	10.71	2.42	11.13	2.44
24 + 10 + 10 + 10	46	7.04	3.00	7.46	3.05	7.87	3.09	8.08	3.11	8.70	3.17	9.12	3.22
	43	7.29	2.91	7.71	2.95	8.12	2.99	8.33	3.02	8.95	3.08	9.37	3.12
	40	7.54	2.81	7.96	2.85	8.38	2.90	8.58	2.92	9.20	2.98	9.62	3.03
	35	7.96	2.63	8.38	2.67	8.79	2.72	9.00	2.74	9.62	2.80	10.04	2.85
	32	8.21	2.56	8.63	2.59	9.05	2.65	9.26	2.66	9.87	2.73	10.29	2.77
	25	8.80	2.34	9.22	2.36	9.63	2.43	9.84	2.43	10.46	2.52	10.88	2.54
	22	9.05	2.24	9.47	2.27	9.89	2.34	10.09	2.34	10.71	2.42	11.13	2.44
13 + 13 + 10 + 10	46	7.04	3.00	7.46	3.05	7.87	3.09	8.08	3.11	8.70	3.17	9.12	3.22
	43	7.29	2.91	7.71	2.95	8.12	2.99	8.33	3.02	8.95	3.08	9.37	3.12
	40	7.54	2.81	7.96	2.85	8.38	2.90	8.58	2.92	9.20	2.98	9.62	3.03
	35	7.96	2.63	8.38	2.67	8.79	2.72	9.00	2.74	9.62	2.80	10.04	2.85
	32	8.21	2.56	8.63	2.59	9.05	2.65	9.26	2.66	9.87	2.73	10.29	2.77
	25	8.80	2.34	9.22	2.36	9.63	2.43	9.84	2.43	10.46	2.52	10.88	2.54
	22	9.05	2.24	9.47	2.27	9.89	2.34	10.09	2.34	10.71	2.42	11.13	2.44

Cooling

5 - rooms multisplit : 4 - unit operation

Indoor units : 16 type + 13 type + 10 type + 10 type
 18 type + 13 type + 10 type + 10 type
 22 type + 13 type + 10 type + 10 type
 24 type + 13 type + 10 type + 10 type

16 type + 16 type + 10 type + 10 type
 18 type + 16 type + 10 type + 10 type
 22 type + 16 type + 10 type + 10 type
 24 type + 16 type + 10 type + 10 type

TC : Total capacity [kW]
 PI : Power input [kW]

Outdoor unit : RAS-5M34U2AVG-E

Combination (Capacity)	Outdoor air temp. [°C DB]	Indoor air temp. [°C WB]											
		14		16		18		19		22		24	
		TC [kW]	PI [kW]	TC [kW]	PI [kW]	TC [kW]	PI [kW]	TC [kW]	PI [kW]	TC [kW]	PI [kW]	TC [kW]	PI [kW]
16 + 13 + 10 + 10	46	7.04	3.00	7.46	3.05	7.87	3.09	8.08	3.11	8.70	3.17	9.12	3.22
	43	7.29	2.91	7.71	2.95	8.12	2.99	8.33	3.02	8.95	3.08	9.37	3.12
	40	7.54	2.81	7.96	2.85	8.38	2.90	8.58	2.92	9.20	2.98	9.62	3.03
	35	7.96	2.63	8.38	2.67	8.79	2.72	9.00	2.74	9.62	2.80	10.04	2.85
	32	8.21	2.56	8.63	2.59	9.05	2.65	9.26	2.66	9.87	2.73	10.29	2.77
	25	8.80	2.34	9.22	2.36	9.63	2.43	9.84	2.43	10.46	2.52	10.88	2.54
	22	9.05	2.24	9.47	2.27	9.89	2.34	10.09	2.34	10.71	2.42	11.13	2.44
18 + 13 + 10 + 10	46	7.04	3.00	7.46	3.05	7.87	3.09	8.08	3.11	8.70	3.17	9.12	3.22
	43	7.29	2.91	7.71	2.95	8.12	2.99	8.33	3.02	8.95	3.08	9.37	3.12
	40	7.54	2.81	7.96	2.85	8.38	2.90	8.58	2.92	9.20	2.98	9.62	3.03
	35	7.96	2.63	8.38	2.67	8.79	2.72	9.00	2.74	9.62	2.80	10.04	2.85
	32	8.21	2.56	8.63	2.59	9.05	2.65	9.26	2.66	9.87	2.73	10.29	2.77
	25	8.80	2.34	9.22	2.36	9.63	2.43	9.84	2.43	10.46	2.52	10.88	2.54
	22	9.05	2.24	9.47	2.27	9.89	2.34	10.09	2.34	10.71	2.42	11.13	2.44
22 + 13 + 10 + 10	46	7.04	3.00	7.46	3.05	7.87	3.09	8.08	3.11	8.70	3.17	9.12	3.22
	43	7.29	2.91	7.71	2.95	8.12	2.99	8.33	3.02	8.95	3.08	9.37	3.12
	40	7.54	2.81	7.96	2.85	8.38	2.90	8.58	2.92	9.20	2.98	9.62	3.03
	35	7.96	2.63	8.38	2.67	8.79	2.72	9.00	2.74	9.62	2.80	10.04	2.85
	32	8.21	2.56	8.63	2.59	9.05	2.65	9.26	2.66	9.87	2.73	10.29	2.77
	25	8.80	2.34	9.22	2.36	9.63	2.43	9.84	2.43	10.46	2.52	10.88	2.54
	22	9.05	2.24	9.47	2.27	9.89	2.34	10.09	2.34	10.71	2.42	11.13	2.44
24 + 13 + 10 + 10	46	7.04	3.00	7.46	3.05	7.87	3.09	8.08	3.11	8.70	3.17	9.12	3.22
	43	7.29	2.91	7.71	2.95	8.12	2.99	8.33	3.02	8.95	3.08	9.37	3.12
	40	7.54	2.81	7.96	2.85	8.38	2.90	8.58	2.92	9.20	2.98	9.62	3.03
	35	7.96	2.63	8.38	2.67	8.79	2.72	9.00	2.74	9.62	2.80	10.04	2.85
	32	8.21	2.56	8.63	2.59	9.05	2.65	9.26	2.66	9.87	2.73	10.29	2.77
	25	8.80	2.34	9.22	2.36	9.63	2.43	9.84	2.43	10.46	2.52	10.88	2.54
	22	9.05	2.24	9.47	2.27	9.89	2.34	10.09	2.34	10.71	2.42	11.13	2.44
16 + 16 + 10 + 10	46	7.04	3.00	7.46	3.05	7.87	3.09	8.08	3.11	8.70	3.17	9.12	3.22
	43	7.29	2.91	7.71	2.95	8.12	2.99	8.33	3.02	8.95	3.08	9.37	3.12
	40	7.54	2.81	7.96	2.85	8.38	2.90	8.58	2.92	9.20	2.98	9.62	3.03
	35	7.96	2.63	8.38	2.67	8.79	2.72	9.00	2.74	9.62	2.80	10.04	2.85
	32	8.21	2.56	8.63	2.59	9.05	2.65	9.26	2.66	9.87	2.73	10.29	2.77
	25	8.80	2.34	9.22	2.36	9.63	2.43	9.84	2.43	10.46	2.52	10.88	2.54
	22	9.05	2.24	9.47	2.27	9.89	2.34	10.09	2.34	10.71	2.42	11.13	2.44
18 + 16 + 10 + 10	46	7.04	3.00	7.46	3.05	7.87	3.09	8.08	3.11	8.70	3.17	9.12	3.22
	43	7.29	2.91	7.71	2.95	8.12	2.99	8.33	3.02	8.95	3.08	9.37	3.12
	40	7.54	2.81	7.96	2.85	8.38	2.90	8.58	2.92	9.20	2.98	9.62	3.03
	35	7.96	2.63	8.38	2.67	8.79	2.72	9.00	2.74	9.62	2.80	10.04	2.85
	32	8.21	2.56	8.63	2.59	9.05	2.65	9.26	2.66	9.87	2.73	10.29	2.77
	25	8.80	2.34	9.22	2.36	9.63	2.43	9.84	2.43	10.46	2.52	10.88	2.54
	22	9.05	2.24	9.47	2.27	9.89	2.34	10.09	2.34	10.71	2.42	11.13	2.44
22 + 16 + 10 + 10	46	7.04	3.00	7.46	3.05	7.87	3.09	8.08	3.11	8.70	3.17	9.12	3.22
	43	7.29	2.91	7.71	2.95	8.12	2.99	8.33	3.02	8.95	3.08	9.37	3.12
	40	7.54	2.81	7.96	2.85	8.38	2.90	8.58	2.92	9.20	2.98	9.62	3.03
	35	7.96	2.63	8.38	2.67	8.79	2.72	9.00	2.74	9.62	2.80	10.04	2.85
	32	8.21	2.56	8.63	2.59	9.05	2.65	9.26	2.66	9.87	2.73	10.29	2.77
	25	8.80	2.34	9.22	2.36	9.63	2.43	9.84	2.43	10.46	2.52	10.88	2.54
	22	9.05	2.24	9.47	2.27	9.89	2.34	10.09	2.34	10.71	2.42	11.13	2.44
24 + 16 + 10 + 10	46	7.04	3.00	7.46	3.05	7.87	3.09	8.08	3.11	8.70	3.17	9.12	3.22
	43	7.29	2.91	7.71	2.95	8.12	2.99	8.33	3.02	8.95	3.08	9.37	3.12
	40	7.54	2.81	7.96	2.85	8.38	2.90	8.58	2.92	9.20	2.98	9.62	3.03
	35	7.96	2.63	8.38	2.67	8.79	2.72	9.00	2.74	9.62	2.80	10.04	2.85
	32	8.21	2.56	8.63	2.59	9.05	2.65	9.26	2.66	9.87	2.73	10.29	2.77
	25	8.80	2.34	9.22	2.36	9.63	2.43	9.84	2.43	10.46	2.52	10.88	2.54
	22	9.05	2.24	9.47	2.27	9.89	2.34	10.09	2.34	10.71	2.42	11.13	2.44

Cooling

5 - rooms multisplit : 4 - unit operation

Indoor units : 18 type + 18 type + 10 type + 10 type
 22 type + 18 type + 10 type + 10 type
 24 type + 18 type + 10 type + 10 type
 13 type + 13 type + 13 type + 10 type

16 type + 13 type + 13 type + 10 type
 18 type + 13 type + 13 type + 10 type
 22 type + 13 type + 13 type + 10 type
 24 type + 13 type + 13 type + 10 type

TC : Total capacity [kW]
 PI : Power input [kW]

Outdoor unit : RAS-5M34U2AVG-E

Combination (Capacity)	Outdoor air temp. [°C DB]	Indoor air temp. [°C WB]											
		14		16		18		19		22		24	
		TC [kW]	PI [kW]	TC [kW]	PI [kW]	TC [kW]	PI [kW]	TC [kW]	PI [kW]	TC [kW]	PI [kW]	TC [kW]	PI [kW]
18 + 18 + 10 + 10	46	7.04	3.00	7.46	3.05	7.87	3.09	8.08	3.11	8.70	3.17	9.12	3.22
	43	7.29	2.91	7.71	2.95	8.12	2.99	8.33	3.02	8.95	3.08	9.37	3.12
	40	7.54	2.81	7.96	2.85	8.38	2.90	8.58	2.92	9.20	2.98	9.62	3.03
	35	7.96	2.63	8.38	2.67	8.79	2.72	9.00	2.74	9.62	2.80	10.04	2.85
	32	8.21	2.56	8.63	2.59	9.05	2.65	9.26	2.66	9.87	2.73	10.29	2.77
	25	8.80	2.34	9.22	2.36	9.63	2.43	9.84	2.43	10.46	2.52	10.88	2.54
	22	9.05	2.24	9.47	2.27	9.89	2.34	10.09	2.34	10.71	2.42	11.13	2.44
22 + 18 + 10 + 10	46	7.04	3.00	7.46	3.05	7.87	3.09	8.08	3.11	8.70	3.17	9.12	3.22
	43	7.29	2.91	7.71	2.95	8.12	2.99	8.33	3.02	8.95	3.08	9.37	3.12
	40	7.54	2.81	7.96	2.85	8.38	2.90	8.58	2.92	9.20	2.98	9.62	3.03
	35	7.96	2.63	8.38	2.67	8.79	2.72	9.00	2.74	9.62	2.80	10.04	2.85
	32	8.21	2.56	8.63	2.59	9.05	2.65	9.26	2.66	9.87	2.73	10.29	2.77
	25	8.80	2.34	9.22	2.36	9.63	2.43	9.84	2.43	10.46	2.52	10.88	2.54
	22	9.05	2.24	9.47	2.27	9.89	2.34	10.09	2.34	10.71	2.42	11.13	2.44
24 + 18 + 10 + 10	46	7.04	3.00	7.46	3.05	7.87	3.09	8.08	3.11	8.70	3.17	9.12	3.22
	43	7.29	2.91	7.71	2.95	8.12	2.99	8.33	3.02	8.95	3.08	9.37	3.12
	40	7.54	2.81	7.96	2.85	8.38	2.90	8.58	2.92	9.20	2.98	9.62	3.03
	35	7.96	2.63	8.38	2.67	8.79	2.72	9.00	2.74	9.62	2.80	10.04	2.85
	32	8.21	2.56	8.63	2.59	9.05	2.65	9.26	2.66	9.87	2.73	10.29	2.77
	25	8.80	2.34	9.22	2.36	9.63	2.43	9.84	2.43	10.46	2.52	10.88	2.54
	22	9.05	2.24	9.47	2.27	9.89	2.34	10.09	2.34	10.71	2.42	11.13	2.44
13 + 13 + 13 + 10	46	7.04	3.00	7.46	3.05	7.87	3.09	8.08	3.11	8.70	3.17	9.12	3.22
	43	7.29	2.91	7.71	2.95	8.12	2.99	8.33	3.02	8.95	3.08	9.37	3.12
	40	7.54	2.81	7.96	2.85	8.38	2.90	8.58	2.92	9.20	2.98	9.62	3.03
	35	7.96	2.63	8.38	2.67	8.79	2.72	9.00	2.74	9.62	2.80	10.04	2.85
	32	8.21	2.56	8.63	2.59	9.05	2.65	9.26	2.66	9.87	2.73	10.29	2.77
	25	8.80	2.34	9.22	2.36	9.63	2.43	9.84	2.43	10.46	2.52	10.88	2.54
	22	9.05	2.24	9.47	2.27	9.89	2.34	10.09	2.34	10.71	2.42	11.13	2.44
16 + 13 + 13 + 10	46	7.04	3.00	7.46	3.05	7.87	3.09	8.08	3.11	8.70	3.17	9.12	3.22
	43	7.29	2.91	7.71	2.95	8.12	2.99	8.33	3.02	8.95	3.08	9.37	3.12
	40	7.54	2.81	7.96	2.85	8.38	2.90	8.58	2.92	9.20	2.98	9.62	3.03
	35	7.96	2.63	8.38	2.67	8.79	2.72	9.00	2.74	9.62	2.80	10.04	2.85
	32	8.21	2.56	8.63	2.59	9.05	2.65	9.26	2.66	9.87	2.73	10.29	2.77
	25	8.80	2.34	9.22	2.36	9.63	2.43	9.84	2.43	10.46	2.52	10.88	2.54
	22	9.05	2.24	9.47	2.27	9.89	2.34	10.09	2.34	10.71	2.42	11.13	2.44
18 + 13 + 13 + 10	46	7.04	3.00	7.46	3.05	7.87	3.09	8.08	3.11	8.70	3.17	9.12	3.22
	43	7.29	2.91	7.71	2.95	8.12	2.99	8.33	3.02	8.95	3.08	9.37	3.12
	40	7.54	2.81	7.96	2.85	8.38	2.90	8.58	2.92	9.20	2.98	9.62	3.03
	35	7.96	2.63	8.38	2.67	8.79	2.72	9.00	2.74	9.62	2.80	10.04	2.85
	32	8.21	2.56	8.63	2.59	9.05	2.65	9.26	2.66	9.87	2.73	10.29	2.77
	25	8.80	2.34	9.22	2.36	9.63	2.43	9.84	2.43	10.46	2.52	10.88	2.54
	22	9.05	2.24	9.47	2.27	9.89	2.34	10.09	2.34	10.71	2.42	11.13	2.44
22 + 13 + 13 + 10	46	7.04	3.00	7.46	3.05	7.87	3.09	8.08	3.11	8.70	3.17	9.12	3.22
	43	7.29	2.91	7.71	2.95	8.12	2.99	8.33	3.02	8.95	3.08	9.37	3.12
	40	7.54	2.81	7.96	2.85	8.38	2.90	8.58	2.92	9.20	2.98	9.62	3.03
	35	7.96	2.63	8.38	2.67	8.79	2.72	9.00	2.74	9.62	2.80	10.04	2.85
	32	8.21	2.56	8.63	2.59	9.05	2.65	9.26	2.66	9.87	2.73	10.29	2.77
	25	8.80	2.34	9.22	2.36	9.63	2.43	9.84	2.43	10.46	2.52	10.88	2.54
	22	9.05	2.24	9.47	2.27	9.89	2.34	10.09	2.34	10.71	2.42	11.13	2.44
24 + 13 + 13 + 10	46	7.04	3.00	7.46	3.05	7.87	3.09	8.08	3.11	8.70	3.17	9.12	3.22
	43	7.29	2.91	7.71	2.95	8.12	2.99	8.33	3.02	8.95	3.08	9.37	3.12
	40	7.54	2.81	7.96	2.85	8.38	2.90	8.58	2.92	9.20	2.98	9.62	3.03
	35	7.96	2.63	8.38	2.67	8.79	2.72	9.00	2.74	9.62	2.80	10.04	2.85
	32	8.21	2.56	8.63	2.59	9.05	2.65	9.26	2.66	9.87	2.73	10.29	2.77
	25	8.80	2.34	9.22	2.36	9.63	2.43	9.84	2.43	10.46	2.52	10.88	2.54
	22	9.05	2.24	9.47	2.27	9.89	2.34	10.09	2.34	10.71	2.42	11.13	2.44

Cooling

5 - rooms multisplit : 4 - units operation

Indoor units : 16 type + 16 type + 13 type + 10 type
 18 type + 16 type + 13 type + 10 type
 22 type + 16 type + 13 type + 10 type
 24 type + 16 type + 13 type + 10 type

18 type + 18 type + 13 type + 10 type
 22 type + 18 type + 13 type + 10 type
 24 type + 18 type + 13 type + 10 type
 13 type + 13 type + 13 type + 13 type

TC : Total capacity [kW]
 PI : Power input [kW]

Outdoor unit : RAS-5M34U2AVG-E

Combination (Capacity)	Outdoor air temp. [°C DB]	Indoor air temp. [°C WB]											
		14		16		18		19		22		24	
		TC [kW]	PI [kW]	TC [kW]	PI [kW]	TC [kW]	PI [kW]	TC [kW]	PI [kW]	TC [kW]	PI [kW]	TC [kW]	PI [kW]
16 + 16 + 13 + 10	46	7.04	3.00	7.46	3.05	7.87	3.09	8.08	3.11	8.70	3.17	9.12	3.22
	43	7.29	2.91	7.71	2.95	8.12	2.99	8.33	3.02	8.95	3.08	9.37	3.12
	40	7.54	2.81	7.96	2.85	8.38	2.90	8.58	2.92	9.20	2.98	9.62	3.03
	35	7.96	2.63	8.38	2.67	8.79	2.72	9.00	2.74	9.62	2.80	10.04	2.85
	32	8.21	2.56	8.63	2.59	9.05	2.65	9.26	2.66	9.87	2.73	10.29	2.77
	25	8.80	2.34	9.22	2.36	9.63	2.43	9.84	2.43	10.46	2.52	10.88	2.54
	22	9.05	2.24	9.47	2.27	9.89	2.34	10.09	2.34	10.71	2.42	11.13	2.44
18 + 16 + 13 + 10	46	7.04	3.00	7.46	3.05	7.87	3.09	8.08	3.11	8.70	3.17	9.12	3.22
	43	7.29	2.91	7.71	2.95	8.12	2.99	8.33	3.02	8.95	3.08	9.37	3.12
	40	7.54	2.81	7.96	2.85	8.38	2.90	8.58	2.92	9.20	2.98	9.62	3.03
	35	7.96	2.63	8.38	2.67	8.79	2.72	9.00	2.74	9.62	2.80	10.04	2.85
	32	8.21	2.56	8.63	2.59	9.05	2.65	9.26	2.66	9.87	2.73	10.29	2.77
	25	8.80	2.34	9.22	2.36	9.63	2.43	9.84	2.43	10.46	2.52	10.88	2.54
	22	9.05	2.24	9.47	2.27	9.89	2.34	10.09	2.34	10.71	2.42	11.13	2.44
22 + 16 + 13 + 10	46	7.04	3.00	7.46	3.05	7.87	3.09	8.08	3.11	8.70	3.17	9.12	3.22
	43	7.29	2.91	7.71	2.95	8.12	2.99	8.33	3.02	8.95	3.08	9.37	3.12
	40	7.54	2.81	7.96	2.85	8.38	2.90	8.58	2.92	9.20	2.98	9.62	3.03
	35	7.96	2.63	8.38	2.67	8.79	2.72	9.00	2.74	9.62	2.80	10.04	2.85
	32	8.21	2.56	8.63	2.59	9.05	2.65	9.26	2.66	9.87	2.73	10.29	2.77
	25	8.80	2.34	9.22	2.36	9.63	2.43	9.84	2.43	10.46	2.52	10.88	2.54
	22	9.05	2.24	9.47	2.27	9.89	2.34	10.09	2.34	10.71	2.42	11.13	2.44
24 + 16 + 13 + 10	46	7.04	3.00	7.46	3.05	7.87	3.09	8.08	3.11	8.70	3.17	9.12	3.22
	43	7.29	2.91	7.71	2.95	8.12	2.99	8.33	3.02	8.95	3.08	9.37	3.12
	40	7.54	2.81	7.96	2.85	8.38	2.90	8.58	2.92	9.20	2.98	9.62	3.03
	35	7.96	2.63	8.38	2.67	8.79	2.72	9.00	2.74	9.62	2.80	10.04	2.85
	32	8.21	2.56	8.63	2.59	9.05	2.65	9.26	2.66	9.87	2.73	10.29	2.77
	25	8.80	2.34	9.22	2.36	9.63	2.43	9.84	2.43	10.46	2.52	10.88	2.54
	22	9.05	2.24	9.47	2.27	9.89	2.34	10.09	2.34	10.71	2.42	11.13	2.44
18 + 18 + 13 + 10	46	7.04	3.00	7.46	3.05	7.87	3.09	8.08	3.11	8.70	3.17	9.12	3.22
	43	7.29	2.91	7.71	2.95	8.12	2.99	8.33	3.02	8.95	3.08	9.37	3.12
	40	7.54	2.81	7.96	2.85	8.38	2.90	8.58	2.92	9.20	2.98	9.62	3.03
	35	7.96	2.63	8.38	2.67	8.79	2.72	9.00	2.74	9.62	2.80	10.04	2.85
	32	8.21	2.56	8.63	2.59	9.05	2.65	9.26	2.66	9.87	2.73	10.29	2.77
	25	8.80	2.34	9.22	2.36	9.63	2.43	9.84	2.43	10.46	2.52	10.88	2.54
	22	9.05	2.24	9.47	2.27	9.89	2.34	10.09	2.34	10.71	2.42	11.13	2.44
22 + 18 + 13 + 10	46	7.04	3.00	7.46	3.05	7.87	3.09	8.08	3.11	8.70	3.17	9.12	3.22
	43	7.29	2.91	7.71	2.95	8.12	2.99	8.33	3.02	8.95	3.08	9.37	3.12
	40	7.54	2.81	7.96	2.85	8.38	2.90	8.58	2.92	9.20	2.98	9.62	3.03
	35	7.96	2.63	8.38	2.67	8.79	2.72	9.00	2.74	9.62	2.80	10.04	2.85
	32	8.21	2.56	8.63	2.59	9.05	2.65	9.26	2.66	9.87	2.73	10.29	2.77
	25	8.80	2.34	9.22	2.36	9.63	2.43	9.84	2.43	10.46	2.52	10.88	2.54
	22	9.05	2.24	9.47	2.27	9.89	2.34	10.09	2.34	10.71	2.42	11.13	2.44
24 + 18 + 13 + 10	46	7.04	3.00	7.46	3.05	7.87	3.09	8.08	3.11	8.70	3.17	9.12	3.22
	43	7.29	2.91	7.71	2.95	8.12	2.99	8.33	3.02	8.95	3.08	9.37	3.12
	40	7.54	2.81	7.96	2.85	8.38	2.90	8.58	2.92	9.20	2.98	9.62	3.03
	35	7.96	2.63	8.38	2.67	8.79	2.72	9.00	2.74	9.62	2.80	10.04	2.85
	32	8.21	2.56	8.63	2.59	9.05	2.65	9.26	2.66	9.87	2.73	10.29	2.77
	25	8.80	2.34	9.22	2.36	9.63	2.43	9.84	2.43	10.46	2.52	10.88	2.54
	22	9.05	2.24	9.47	2.27	9.89	2.34	10.09	2.34	10.71	2.42	11.13	2.44
13 + 13 + 13 + 13	46	7.04	3.00	7.46	3.05	7.87	3.09	8.08	3.11	8.70	3.17	9.12	3.22
	43	7.29	2.91	7.71	2.95	8.12	2.99	8.33	3.02	8.95	3.08	9.37	3.12
	40	7.54	2.81	7.96	2.85	8.38	2.90	8.58	2.92	9.20	2.98	9.62	3.03
	35	7.96	2.63	8.38	2.67	8.79	2.72	9.00	2.74	9.62	2.80	10.04	2.85
	32	8.21	2.56	8.63	2.59	9.05	2.65	9.26	2.66	9.87	2.73	10.29	2.77
	25	8.80	2.34	9.22	2.36	9.63	2.43	9.84	2.43	10.46	2.52	10.88	2.54
	22	9.05	2.24	9.47	2.27	9.89	2.34	10.09	2.34	10.71	2.42	11.13	2.44

Cooling

5 - rooms multisplit : 4 - units operation

Indoor units : 16 type + 13 type + 13 type + 13 type
 18 type + 13 type + 13 type + 13 type
 22 type + 13 type + 13 type + 13 type
 24 type + 13 type + 13 type + 13 type

13 type + 16 type + 13 type + 13 type
 18 type + 16 type + 13 type + 13 type
 22 type + 16 type + 13 type + 13 type
 24 type + 16 type + 13 type + 13 type

TC : Total capacity [kW]
 PI : Power input [kW]

Outdoor unit : RAS-5M34U2AVG-E

Combination (Capacity)	Outdoor air temp. [°C DB]	Indoor air temp. [°C WB]											
		14		16		18		19		22		24	
		TC [kW]	PI [kW]	TC [kW]	PI [kW]	TC [kW]	PI [kW]	TC [kW]	PI [kW]	TC [kW]	PI [kW]	TC [kW]	PI [kW]
16 + 13 + 13 + 13	46	7.04	3.00	7.46	3.05	7.87	3.09	8.08	3.11	8.70	3.17	9.12	3.22
	43	7.29	2.91	7.71	2.95	8.12	2.99	8.33	3.02	8.95	3.08	9.37	3.12
	40	7.54	2.81	7.96	2.85	8.38	2.90	8.58	2.92	9.20	2.98	9.62	3.03
	35	7.96	2.63	8.38	2.67	8.79	2.72	9.00	2.74	9.62	2.80	10.04	2.85
	32	8.21	2.56	8.63	2.59	9.05	2.65	9.26	2.66	9.87	2.73	10.29	2.77
	25	8.80	2.34	9.22	2.36	9.63	2.43	9.84	2.43	10.46	2.52	10.88	2.54
	22	9.05	2.24	9.47	2.27	9.89	2.34	10.09	2.34	10.71	2.42	11.13	2.44
18 + 13 + 13 + 13	46	7.04	3.00	7.46	3.05	7.87	3.09	8.08	3.11	8.70	3.17	9.12	3.22
	43	7.29	2.91	7.71	2.95	8.12	2.99	8.33	3.02	8.95	3.08	9.37	3.12
	40	7.54	2.81	7.96	2.85	8.38	2.90	8.58	2.92	9.20	2.98	9.62	3.03
	35	7.96	2.63	8.38	2.67	8.79	2.72	9.00	2.74	9.62	2.80	10.04	2.85
	32	8.21	2.56	8.63	2.59	9.05	2.65	9.26	2.66	9.87	2.73	10.29	2.77
	25	8.80	2.34	9.22	2.36	9.63	2.43	9.84	2.43	10.46	2.52	10.88	2.54
	22	9.05	2.24	9.47	2.27	9.89	2.34	10.09	2.34	10.71	2.42	11.13	2.44
22 + 13 + 13 + 13	46	7.04	3.00	7.46	3.05	7.87	3.09	8.08	3.11	8.70	3.17	9.12	3.22
	43	7.29	2.91	7.71	2.95	8.12	2.99	8.33	3.02	8.95	3.08	9.37	3.12
	40	7.54	2.81	7.96	2.85	8.38	2.90	8.58	2.92	9.20	2.98	9.62	3.03
	35	7.96	2.63	8.38	2.67	8.79	2.72	9.00	2.74	9.62	2.80	10.04	2.85
	32	8.21	2.56	8.63	2.59	9.05	2.65	9.26	2.66	9.87	2.73	10.29	2.77
	25	8.80	2.34	9.22	2.36	9.63	2.43	9.84	2.43	10.46	2.52	10.88	2.54
	22	9.05	2.24	9.47	2.27	9.89	2.34	10.09	2.34	10.71	2.42	11.13	2.44
24 + 13 + 13 + 13	46	7.04	3.00	7.46	3.05	7.87	3.09	8.08	3.11	8.70	3.17	9.12	3.22
	43	7.29	2.91	7.71	2.95	8.12	2.99	8.33	3.02	8.95	3.08	9.37	3.12
	40	7.54	2.81	7.96	2.85	8.38	2.90	8.58	2.92	9.20	2.98	9.62	3.03
	35	7.96	2.63	8.38	2.67	8.79	2.72	9.00	2.74	9.62	2.80	10.04	2.85
	32	8.21	2.56	8.63	2.59	9.05	2.65	9.26	2.66	9.87	2.73	10.29	2.77
	25	8.80	2.34	9.22	2.36	9.63	2.43	9.84	2.43	10.46	2.52	10.88	2.54
	22	9.05	2.24	9.47	2.27	9.89	2.34	10.09	2.34	10.71	2.42	11.13	2.44
16 + 16 + 13 + 13	46	7.04	3.00	7.46	3.05	7.87	3.09	8.08	3.11	8.70	3.17	9.12	3.22
	43	7.29	2.91	7.71	2.95	8.12	2.99	8.33	3.02	8.95	3.08	9.37	3.12
	40	7.54	2.81	7.96	2.85	8.38	2.90	8.58	2.92	9.20	2.98	9.62	3.03
	35	7.96	2.63	8.38	2.67	8.79	2.72	9.00	2.74	9.62	2.80	10.04	2.85
	32	8.21	2.56	8.63	2.59	9.05	2.65	9.26	2.66	9.87	2.73	10.29	2.77
	25	8.80	2.34	9.22	2.36	9.63	2.43	9.84	2.43	10.46	2.52	10.88	2.54
	22	9.05	2.24	9.47	2.27	9.89	2.34	10.09	2.34	10.71	2.42	11.13	2.44
18 + 16 + 13 + 13	46	7.04	3.00	7.46	3.05	7.87	3.09	8.08	3.11	8.70	3.17	9.12	3.22
	43	7.29	2.91	7.71	2.95	8.12	2.99	8.33	3.02	8.95	3.08	9.37	3.12
	40	7.54	2.81	7.96	2.85	8.38	2.90	8.58	2.92	9.20	2.98	9.62	3.03
	35	7.96	2.63	8.38	2.67	8.79	2.72	9.00	2.74	9.62	2.80	10.04	2.85
	32	8.21	2.56	8.63	2.59	9.05	2.65	9.26	2.66	9.87	2.73	10.29	2.77
	25	8.80	2.34	9.22	2.36	9.63	2.43	9.84	2.43	10.46	2.52	10.88	2.54
	22	9.05	2.24	9.47	2.27	9.89	2.34	10.09	2.34	10.71	2.42	11.13	2.44
22 + 16 + 13 + 13	46	7.04	3.00	7.46	3.05	7.87	3.09	8.08	3.11	8.70	3.17	9.12	3.22
	43	7.29	2.91	7.71	2.95	8.12	2.99	8.33	3.02	8.95	3.08	9.37	3.12
	40	7.54	2.81	7.96	2.85	8.38	2.90	8.58	2.92	9.20	2.98	9.62	3.03
	35	7.96	2.63	8.38	2.67	8.79	2.72	9.00	2.74	9.62	2.80	10.04	2.85
	32	8.21	2.56	8.63	2.59	9.05	2.65	9.26	2.66	9.87	2.73	10.29	2.77
	25	8.80	2.34	9.22	2.36	9.63	2.43	9.84	2.43	10.46	2.52	10.88	2.54
	22	9.05	2.24	9.47	2.27	9.89	2.34	10.09	2.34	10.71	2.42	11.13	2.44
24 + 16 + 13 + 13	46	7.04	3.00	7.46	3.05	7.87	3.09	8.08	3.11	8.70	3.17	9.12	3.22
	43	7.29	2.91	7.71	2.95	8.12	2.99	8.33	3.02	8.95	3.08	9.37	3.12
	40	7.54	2.81	7.96	2.85	8.38	2.90	8.58	2.92	9.20	2.98	9.62	3.03
	35	7.96	2.63	8.38	2.67	8.79	2.72	9.00	2.74	9.62	2.80	10.04	2.85
	32	8.21	2.56	8.63	2.59	9.05	2.65	9.26	2.66	9.87	2.73	10.29	2.77
	25	8.80	2.34	9.22	2.36	9.63	2.43	9.84	2.43	10.46	2.52	10.88	2.54
	22	9.05	2.24	9.47	2.27	9.89	2.34	10.09	2.34	10.71	2.42	11.13	2.44

Cooling

5 - rooms multisplit : 4 - units operation

Indoor units : 18 type + 18 type + 13 type + 13 type
 22 type + 18 type + 13 type + 13 type
 24 type + 18 type + 13 type + 13 type

TC : Total capacity [kW]
 PI : Power input [kW]

Outdoor unit : RAS-5M34U2AVG-E

Combination (Capacity)	Outdoor air temp. [°C DB]	Indoor air temp. [°C WB]											
		14		16		18		19		22		24	
		TC [kW]	PI [kW]	TC [kW]	PI [kW]	TC [kW]	PI [kW]	TC [kW]	PI [kW]	TC [kW]	PI [kW]	TC [kW]	PI [kW]
18 + 18 + 13 + 13	46	7.04	3.00	7.46	3.05	7.87	3.09	8.08	3.11	8.70	3.17	9.12	3.22
	43	7.29	2.91	7.71	2.95	8.12	2.99	8.33	3.02	8.95	3.08	9.37	3.12
	40	7.54	2.81	7.96	2.85	8.38	2.90	8.58	2.92	9.20	2.98	9.62	3.03
	35	7.96	2.63	8.38	2.67	8.79	2.72	9.00	2.74	9.62	2.80	10.04	2.85
	32	8.21	2.56	8.63	2.59	9.05	2.65	9.26	2.66	9.87	2.73	10.29	2.77
	25	8.80	2.34	9.22	2.36	9.63	2.43	9.84	2.43	10.46	2.52	10.88	2.54
	22	9.05	2.24	9.47	2.27	9.89	2.34	10.09	2.34	10.71	2.42	11.13	2.44
22 + 18 + 13 + 13	46	7.04	3.00	7.46	3.05	7.87	3.09	8.08	3.11	8.70	3.17	9.12	3.22
	43	7.29	2.91	7.71	2.95	8.12	2.99	8.33	3.02	8.95	3.08	9.37	3.12
	40	7.54	2.81	7.96	2.85	8.38	2.90	8.58	2.92	9.20	2.98	9.62	3.03
	35	7.96	2.63	8.38	2.67	8.79	2.72	9.00	2.74	9.62	2.80	10.04	2.85
	32	8.21	2.56	8.63	2.59	9.05	2.65	9.26	2.66	9.87	2.73	10.29	2.77
	25	8.80	2.34	9.22	2.36	9.63	2.43	9.84	2.43	10.46	2.52	10.88	2.54
	22	9.05	2.24	9.47	2.27	9.89	2.34	10.09	2.34	10.71	2.42	11.13	2.44
24 + 18 + 13 + 13	46	7.04	3.00	7.46	3.05	7.87	3.09	8.08	3.11	8.70	3.17	9.12	3.22
	43	7.29	2.91	7.71	2.95	8.12	2.99	8.33	3.02	8.95	3.08	9.37	3.12
	40	7.54	2.81	7.96	2.85	8.38	2.90	8.58	2.92	9.20	2.98	9.62	3.03
	35	7.96	2.63	8.38	2.67	8.79	2.72	9.00	2.74	9.62	2.80	10.04	2.85
	32	8.21	2.56	8.63	2.59	9.05	2.65	9.26	2.66	9.87	2.73	10.29	2.77
	25	8.80	2.34	9.22	2.36	9.63	2.43	9.84	2.43	10.46	2.52	10.88	2.54
	22	9.05	2.24	9.47	2.27	9.89	2.34	10.09	2.34	10.71	2.42	11.13	2.44

Cooling

5 - rooms multisplit : 5 - units operation

Indoor units : 05 type + 05 type + 05 type + 05 type + 05 type
 07 type + 05 type + 05 type + 05 type + 05 type
 10 type + 05 type + 05 type + 05 type + 05 type
 13 type + 05 type + 05 type + 05 type + 05 type

16 type + 05 type + 05 type + 05 type + 05 type
 18 type + 05 type + 05 type + 05 type + 05 type
 07 type + 07 type + 05 type + 05 type + 05 type
 10 type + 07 type + 05 type + 05 type + 05 type

TC : Total capacity [kW]
 PI : Power input [kW]

Outdoor unit : RAS-5M34U2AVG-E

Combination (Capacity)	Outdoor air temp. [°C DB]	Indoor air temp. [°C WB]											
		14		16		18		19		22		24	
		TC [kW]	PI [kW]	TC [kW]	PI [kW]	TC [kW]	PI [kW]	TC [kW]	PI [kW]	TC [kW]	PI [kW]	TC [kW]	PI [kW]
05 + 05 + 05 + 05 + 05	46	5.87	2.52	6.21	2.56	6.56	2.59	6.74	2.61	7.25	2.66	7.60	2.70
	43	6.08	2.44	6.42	2.47	6.77	2.51	6.94	2.53	7.46	2.58	7.81	2.62
	40	6.29	2.36	6.63	2.39	6.98	2.43	7.15	2.45	7.67	2.51	8.02	2.54
	35	6.63	2.21	6.98	2.25	7.33	2.28	7.50	2.30	8.02	2.35	8.36	2.39
	32	6.85	2.15	7.19	2.17	7.54	2.22	7.71	2.23	8.23	2.30	8.58	2.32
	25	7.33	1.96	7.68	1.98	8.03	2.04	8.20	2.04	8.71	2.11	9.07	2.13
	22	7.54	1.88	7.89	1.90	8.24	1.96	8.41	1.96	8.92	2.03	9.28	2.05
07 + 05 + 05 + 05 + 05	46	6.26	2.63	6.63	2.67	7.00	2.70	7.18	2.73	7.74	2.78	8.11	2.82
	43	6.48	2.55	6.85	2.58	7.22	2.62	7.41	2.64	7.96	2.70	8.33	2.74
	40	6.71	2.46	7.08	2.50	7.44	2.54	7.63	2.56	8.18	2.61	8.55	2.65
	35	7.08	2.31	7.44	2.34	7.81	2.38	8.00	2.40	8.55	2.46	8.92	2.49
	32	7.30	2.24	7.67	2.27	8.04	2.32	8.23	2.33	8.77	2.40	9.15	2.42
	25	7.82	2.05	8.19	2.07	8.56	2.13	8.75	2.13	9.29	2.20	9.67	2.22
	22	8.05	1.96	8.42	1.98	8.79	2.05	8.97	2.05	9.52	2.12	9.89	2.14
10 + 05 + 05 + 05 + 05	46	6.81	2.85	7.21	2.89	7.61	2.93	7.81	2.95	8.41	3.01	8.82	3.06
	43	7.05	2.76	7.45	2.80	7.85	2.84	8.06	2.86	8.65	2.92	9.06	2.96
	40	7.29	2.67	7.69	2.70	8.10	2.75	8.30	2.77	8.90	2.83	9.30	2.87
	35	7.69	2.50	8.10	2.54	8.50	2.58	8.70	2.60	9.30	2.66	9.70	2.70
	32	7.94	2.43	8.34	2.46	8.75	2.51	8.95	2.52	9.54	2.59	9.95	2.62
	25	8.51	2.22	8.91	2.24	9.31	2.31	9.51	2.31	10.11	2.39	10.52	2.41
	22	8.75	2.13	9.15	2.15	9.56	2.22	9.76	2.22	10.35	2.30	10.76	2.32
13 + 05 + 05 + 05 + 05	46	7.59	3.12	8.04	3.17	8.48	3.21	8.71	3.24	9.38	3.30	9.83	3.35
	43	7.86	3.02	8.31	3.07	8.76	3.11	8.98	3.14	9.65	3.20	10.10	3.25
	40	8.13	2.92	8.58	2.96	9.03	3.01	9.25	3.04	9.92	3.10	10.37	3.15
	35	8.58	2.74	9.03	2.78	9.47	2.83	9.70	2.85	10.37	2.92	10.82	2.96
	32	8.85	2.66	9.30	2.69	9.75	2.76	9.98	2.77	10.64	2.84	11.09	2.88
	25	9.49	2.43	9.93	2.46	10.38	2.53	10.61	2.53	11.27	2.62	11.73	2.64
	22	9.76	2.33	10.21	2.36	10.65	2.43	10.88	2.43	11.54	2.52	12.00	2.54
16 + 05 + 05 + 05 + 05	46	7.75	3.23	8.20	3.27	8.66	3.32	8.89	3.35	9.57	3.41	10.03	3.46
	43	8.02	3.13	8.48	3.17	8.94	3.22	9.17	3.24	9.85	3.31	10.31	3.36
	40	8.30	3.02	8.76	3.06	9.21	3.12	9.44	3.14	10.12	3.21	10.59	3.25
	35	8.76	2.83	9.21	2.88	9.67	2.92	9.90	2.95	10.58	3.01	11.04	3.06
	32	9.04	2.75	9.49	2.79	9.95	2.85	10.18	2.86	10.86	2.94	11.32	2.97
	25	9.68	2.51	10.14	2.54	10.60	2.61	10.83	2.62	11.50	2.71	11.97	2.73
	22	9.96	2.41	10.42	2.44	10.87	2.51	11.10	2.51	11.78	2.60	12.24	2.63
18 + 05 + 05 + 05 + 05	46	7.75	3.23	8.20	3.27	8.66	3.32	8.89	3.35	9.57	3.41	10.03	3.46
	43	8.02	3.13	8.48	3.17	8.94	3.22	9.17	3.24	9.85	3.31	10.31	3.36
	40	8.30	3.02	8.76	3.06	9.21	3.12	9.44	3.14	10.12	3.21	10.59	3.25
	35	8.76	2.83	9.21	2.88	9.67	2.92	9.90	2.95	10.58	3.01	11.04	3.06
	32	9.04	2.75	9.49	2.79	9.95	2.85	10.18	2.86	10.86	2.94	11.32	2.97
	25	9.68	2.51	10.14	2.54	10.60	2.61	10.83	2.62	11.50	2.71	11.97	2.73
	22	9.96	2.41	10.42	2.44	10.87	2.51	11.10	2.51	11.78	2.60	12.24	2.63
07 + 07 + 05 + 05 + 05	46	6.65	2.85	7.04	2.89	7.43	2.93	7.63	2.95	8.22	3.01	8.61	3.06
	43	6.89	2.76	7.28	2.80	7.67	2.84	7.87	2.86	8.46	2.92	8.85	2.96
	40	7.13	2.67	7.52	2.70	7.91	2.75	8.11	2.77	8.69	2.83	9.09	2.87
	35	7.52	2.50	7.91	2.54	8.30	2.58	8.50	2.60	9.09	2.66	9.48	2.70
	32	7.76	2.43	8.15	2.46	8.54	2.51	8.74	2.52	9.32	2.59	9.72	2.62
	25	8.31	2.22	8.71	2.24	9.10	2.31	9.30	2.31	9.87	2.39	10.28	2.41
	22	8.55	2.13	8.94	2.15	9.34	2.22	9.53	2.22	10.11	2.30	10.51	2.32
10 + 07 + 05 + 05 + 05	46	7.20	3.07	7.62	3.11	8.05	3.15	8.26	3.18	8.90	3.24	9.32	3.29
	43	7.46	2.97	7.88	3.01	8.30	3.06	8.52	3.08	9.15	3.15	9.58	3.19
	40	7.71	2.87	8.14	2.91	8.56	2.96	8.78	2.98	9.41	3.05	9.84	3.09
	35	8.14	2.69	8.56	2.73	8.99	2.78	9.20	2.80	9.84	2.86	10.26	2.91
	32	8.40	2.61	8.82	2.65	9.25	2.71	9.46	2.72	10.09	2.79	10.52	2.83
	25	9.00	2.39	9.42	2.41	9.85	2.48	10.06	2.49	10.69	2.57	11.12	2.60
	22	9.25	2.29	9.68	2.32	10.11	2.39	10.32	2.39	10.94	2.48	11.38	2.50

Cooling

5 - rooms multisplit : 5 - units operation

Indoor units : 13 type + 07 type + 05 type + 05 type + 05 type 13 type + 10 type + 05 type + 05 type + 05 type
 16 type + 07 type + 05 type + 05 type + 05 type 16 type + 10 type + 05 type + 05 type + 05 type
 18 type + 07 type + 05 type + 05 type + 05 type 18 type + 10 type + 05 type + 05 type + 05 type
 10 type + 10 type + 05 type + 05 type + 05 type 13 type + 13 type + 05 type + 05 type + 05 type

TC : Total capacity [kW]
 PI : Power input [kW]

Outdoor unit : RAS-5M34U2AVG-E

Combination (Capacity)	Outdoor air temp. [°C DB]	Indoor air temp. [°C WB]											
		14		16		18		19		22		24	
		TC [kW]	PI [kW]	TC [kW]	PI [kW]	TC [kW]	PI [kW]	TC [kW]	PI [kW]	TC [kW]	PI [kW]	TC [kW]	PI [kW]
13 + 07 + 05 + 05 + 05	46	7.75	3.23	8.20	3.27	8.66	3.32	8.89	3.35	9.57	3.41	10.03	3.46
	43	8.02	3.13	8.48	3.17	8.94	3.22	9.17	3.24	9.85	3.31	10.31	3.36
	40	8.30	3.02	8.76	3.06	9.21	3.12	9.44	3.14	10.12	3.21	10.59	3.25
	35	8.76	2.83	9.21	2.88	9.67	2.92	9.90	2.95	10.58	3.01	11.04	3.06
	32	9.04	2.75	9.49	2.79	9.95	2.85	10.18	2.86	10.86	2.94	11.32	2.97
	25	9.68	2.51	10.14	2.54	10.60	2.61	10.83	2.62	11.50	2.71	11.97	2.73
	22	9.96	2.41	10.42	2.44	10.87	2.51	11.10	2.51	11.78	2.60	12.24	2.63
16 + 07 + 05 + 05 + 05	46	7.75	3.23	8.20	3.27	8.66	3.32	8.89	3.35	9.57	3.41	10.03	3.46
	43	8.02	3.13	8.48	3.17	8.94	3.22	9.17	3.24	9.85	3.31	10.31	3.36
	40	8.30	3.02	8.76	3.06	9.21	3.12	9.44	3.14	10.12	3.21	10.59	3.25
	35	8.76	2.83	9.21	2.88	9.67	2.92	9.90	2.95	10.58	3.01	11.04	3.06
	32	9.04	2.75	9.49	2.79	9.95	2.85	10.18	2.86	10.86	2.94	11.32	2.97
	25	9.68	2.51	10.14	2.54	10.60	2.61	10.83	2.62	11.50	2.71	11.97	2.73
	22	9.96	2.41	10.42	2.44	10.87	2.51	11.10	2.51	11.78	2.60	12.24	2.63
18 + 07 + 05 + 05 + 05	46	7.75	3.23	8.20	3.27	8.66	3.32	8.89	3.35	9.57	3.41	10.03	3.46
	43	8.02	3.13	8.48	3.17	8.94	3.22	9.17	3.24	9.85	3.31	10.31	3.36
	40	8.30	3.02	8.76	3.06	9.21	3.12	9.44	3.14	10.12	3.21	10.59	3.25
	35	8.76	2.83	9.21	2.88	9.67	2.92	9.90	2.95	10.58	3.01	11.04	3.06
	32	9.04	2.75	9.49	2.79	9.95	2.85	10.18	2.86	10.86	2.94	11.32	2.97
	25	9.68	2.51	10.14	2.54	10.60	2.61	10.83	2.62	11.50	2.71	11.97	2.73
	22	9.96	2.41	10.42	2.44	10.87	2.51	11.10	2.51	11.78	2.60	12.24	2.63
10 + 10 + 05 + 05 + 05	46	7.75	3.23	8.20	3.27	8.66	3.32	8.89	3.35	9.57	3.41	10.03	3.46
	43	8.02	3.13	8.48	3.17	8.94	3.22	9.17	3.24	9.85	3.31	10.31	3.36
	40	8.30	3.02	8.76	3.06	9.21	3.12	9.44	3.14	10.12	3.21	10.59	3.25
	35	8.76	2.83	9.21	2.88	9.67	2.92	9.90	2.95	10.58	3.01	11.04	3.06
	32	9.04	2.75	9.49	2.79	9.95	2.85	10.18	2.86	10.86	2.94	11.32	2.97
	25	9.68	2.51	10.14	2.54	10.60	2.61	10.83	2.62	11.50	2.71	11.97	2.73
	22	9.96	2.41	10.42	2.44	10.87	2.51	11.10	2.51	11.78	2.60	12.24	2.63
13 + 10 + 05 + 05 + 05	46	7.75	3.23	8.20	3.27	8.66	3.32	8.89	3.35	9.57	3.41	10.03	3.46
	43	8.02	3.13	8.48	3.17	8.94	3.22	9.17	3.24	9.85	3.31	10.31	3.36
	40	8.30	3.02	8.76	3.06	9.21	3.12	9.44	3.14	10.12	3.21	10.59	3.25
	35	8.76	2.83	9.21	2.88	9.67	2.92	9.90	2.95	10.58	3.01	11.04	3.06
	32	9.04	2.75	9.49	2.79	9.95	2.85	10.18	2.86	10.86	2.94	11.32	2.97
	25	9.68	2.51	10.14	2.54	10.60	2.61	10.83	2.62	11.50	2.71	11.97	2.73
	22	9.96	2.41	10.42	2.44	10.87	2.51	11.10	2.51	11.78	2.60	12.24	2.63
16 + 10 + 05 + 05 + 05	46	7.75	3.23	8.20	3.27	8.66	3.32	8.89	3.35	9.57	3.41	10.03	3.46
	43	8.02	3.13	8.48	3.17	8.94	3.22	9.17	3.24	9.85	3.31	10.31	3.36
	40	8.30	3.02	8.76	3.06	9.21	3.12	9.44	3.14	10.12	3.21	10.59	3.25
	35	8.76	2.83	9.21	2.88	9.67	2.92	9.90	2.95	10.58	3.01	11.04	3.06
	32	9.04	2.75	9.49	2.79	9.95	2.85	10.18	2.86	10.86	2.94	11.32	2.97
	25	9.68	2.51	10.14	2.54	10.60	2.61	10.83	2.62	11.50	2.71	11.97	2.73
	22	9.96	2.41	10.42	2.44	10.87	2.51	11.10	2.51	11.78	2.60	12.24	2.63
18 + 10 + 05 + 05 + 05	46	7.75	3.23	8.20	3.27	8.66	3.32	8.89	3.35	9.57	3.41	10.03	3.46
	43	8.02	3.13	8.48	3.17	8.94	3.22	9.17	3.24	9.85	3.31	10.31	3.36
	40	8.30	3.02	8.76	3.06	9.21	3.12	9.44	3.14	10.12	3.21	10.59	3.25
	35	8.76	2.83	9.21	2.88	9.67	2.92	9.90	2.95	10.58	3.01	11.04	3.06
	32	9.04	2.75	9.49	2.79	9.95	2.85	10.18	2.86	10.86	2.94	11.32	2.97
	25	9.68	2.51	10.14	2.54	10.60	2.61	10.83	2.62	11.50	2.71	11.97	2.73
	22	9.96	2.41	10.42	2.44	10.87	2.51	11.10	2.51	11.78	2.60	12.24	2.63
13 + 13 + 05 + 05 + 05	46	7.75	3.23	8.20	3.27	8.66	3.32	8.89	3.35	9.57	3.41	10.03	3.46
	43	8.02	3.13	8.48	3.17	8.94	3.22	9.17	3.24	9.85	3.31	10.31	3.36
	40	8.30	3.02	8.76	3.06	9.21	3.12	9.44	3.14	10.12	3.21	10.59	3.25
	35	8.76	2.83	9.21	2.88	9.67	2.92	9.90	2.95	10.58	3.01	11.04	3.06
	32	9.04	2.75	9.49	2.79	9.95	2.85	10.18	2.86	10.86	2.94	11.32	2.97
	25	9.68	2.51	10.14	2.54	10.60	2.61	10.83	2.62	11.50	2.71	11.97	2.73
	22	9.96	2.41	10.42	2.44	10.87	2.51	11.10	2.51	11.78	2.60	12.24	2.63

Cooling

5 - rooms multisplit : 5 - units operation

Indoor units : 16 type + 13 type + 05 type + 05 type + 05 type 18 type + 18 type + 05 type + 05 type + 05 type
 18 type + 13 type + 05 type + 05 type + 05 type 07 type + 07 type + 07 type + 05 type + 05 type
 16 type + 16 type + 05 type + 05 type + 05 type 10 type + 07 type + 07 type + 05 type + 05 type
 18 type + 16 type + 05 type + 05 type + 05 type 13 type + 07 type + 07 type + 05 type + 05 type

TC : Total capacity [kW]
 PI : Power input [kW]

Outdoor unit : RAS-5M34U2AVG-E

Combination (Capacity)	Outdoor air temp. [°C DB]	Indoor air temp. [°C WB]											
		14		16		18		19		22		24	
		TC [kW]	PI [kW]	TC [kW]	PI [kW]	TC [kW]	PI [kW]	TC [kW]	PI [kW]	TC [kW]	PI [kW]	TC [kW]	PI [kW]
16 + 13 + 05 + 05 + 05	46	7.75	3.23	8.20	3.27	8.66	3.32	8.89	3.35	9.57	3.41	10.03	3.46
	43	8.02	3.13	8.48	3.17	8.94	3.22	9.17	3.24	9.85	3.31	10.31	3.36
	40	8.30	3.02	8.76	3.06	9.21	3.12	9.44	3.14	10.12	3.21	10.59	3.25
	35	8.76	2.83	9.21	2.88	9.67	2.92	9.90	2.95	10.58	3.01	11.04	3.06
	32	9.04	2.75	9.49	2.79	9.95	2.85	10.18	2.86	10.86	2.94	11.32	2.97
	25	9.68	2.51	10.14	2.54	10.60	2.61	10.83	2.62	11.50	2.71	11.97	2.73
	22	9.96	2.41	10.42	2.44	10.87	2.51	11.10	2.51	11.78	2.60	12.24	2.63
18 + 13 + 05 + 05 + 05	46	7.75	3.23	8.20	3.27	8.66	3.32	8.89	3.35	9.57	3.41	10.03	3.46
	43	8.02	3.13	8.48	3.17	8.94	3.22	9.17	3.24	9.85	3.31	10.31	3.36
	40	8.30	3.02	8.76	3.06	9.21	3.12	9.44	3.14	10.12	3.21	10.59	3.25
	35	8.76	2.83	9.21	2.88	9.67	2.92	9.90	2.95	10.58	3.01	11.04	3.06
	32	9.04	2.75	9.49	2.79	9.95	2.85	10.18	2.86	10.86	2.94	11.32	2.97
	25	9.68	2.51	10.14	2.54	10.60	2.61	10.83	2.62	11.50	2.71	11.97	2.73
	22	9.96	2.41	10.42	2.44	10.87	2.51	11.10	2.51	11.78	2.60	12.24	2.63
16 + 16 + 05 + 05 + 05	46	7.75	3.23	8.20	3.27	8.66	3.32	8.89	3.35	9.57	3.41	10.03	3.46
	43	8.02	3.13	8.48	3.17	8.94	3.22	9.17	3.24	9.85	3.31	10.31	3.36
	40	8.30	3.02	8.76	3.06	9.21	3.12	9.44	3.14	10.12	3.21	10.59	3.25
	35	8.76	2.83	9.21	2.88	9.67	2.92	9.90	2.95	10.58	3.01	11.04	3.06
	32	9.04	2.75	9.49	2.79	9.95	2.85	10.18	2.86	10.86	2.94	11.32	2.97
	25	9.68	2.51	10.14	2.54	10.60	2.61	10.83	2.62	11.50	2.71	11.97	2.73
	22	9.96	2.41	10.42	2.44	10.87	2.51	11.10	2.51	11.78	2.60	12.24	2.63
18 + 16 + 05 + 05 + 05	46	7.75	3.23	8.20	3.27	8.66	3.32	8.89	3.35	9.57	3.41	10.03	3.46
	43	8.02	3.13	8.48	3.17	8.94	3.22	9.17	3.24	9.85	3.31	10.31	3.36
	40	8.30	3.02	8.76	3.06	9.21	3.12	9.44	3.14	10.12	3.21	10.59	3.25
	35	8.76	2.83	9.21	2.88	9.67	2.92	9.90	2.95	10.58	3.01	11.04	3.06
	32	9.04	2.75	9.49	2.79	9.95	2.85	10.18	2.86	10.86	2.94	11.32	2.97
	25	9.68	2.51	10.14	2.54	10.60	2.61	10.83	2.62	11.50	2.71	11.97	2.73
	22	9.96	2.41	10.42	2.44	10.87	2.51	11.10	2.51	11.78	2.60	12.24	2.63
18 + 18 + 05 + 05 + 05	46	7.75	3.23	8.20	3.27	8.66	3.32	8.89	3.35	9.57	3.41	10.03	3.46
	43	8.02	3.13	8.48	3.17	8.94	3.22	9.17	3.24	9.85	3.31	10.31	3.36
	40	8.30	3.02	8.76	3.06	9.21	3.12	9.44	3.14	10.12	3.21	10.59	3.25
	35	8.76	2.83	9.21	2.88	9.67	2.92	9.90	2.95	10.58	3.01	11.04	3.06
	32	9.04	2.75	9.49	2.79	9.95	2.85	10.18	2.86	10.86	2.94	11.32	2.97
	25	9.68	2.51	10.14	2.54	10.60	2.61	10.83	2.62	11.50	2.71	11.97	2.73
	22	9.96	2.41	10.42	2.44	10.87	2.51	11.10	2.51	11.78	2.60	12.24	2.63
07 + 07 + 07 + 05 + 05	46	7.04	3.01	7.46	3.06	7.87	3.10	8.08	3.13	8.70	3.18	9.12	3.23
	43	7.29	2.92	7.71	2.96	8.12	3.00	8.33	3.03	8.95	3.09	9.37	3.13
	40	7.54	2.82	7.96	2.86	8.38	2.91	8.58	2.93	9.20	3.00	9.62	3.04
	35	7.96	2.64	8.38	2.68	8.79	2.73	9.00	2.75	9.62	2.81	10.04	2.86
	32	8.21	2.57	8.63	2.60	9.05	2.66	9.26	2.67	9.87	2.74	10.29	2.78
	25	8.80	2.34	9.22	2.37	9.63	2.44	9.84	2.44	10.46	2.53	10.88	2.55
	22	9.05	2.25	9.47	2.27	9.89	2.35	10.09	2.34	10.71	2.43	11.13	2.45
10 + 07 + 07 + 05 + 05	46	7.59	3.12	8.04	3.17	8.48	3.21	8.71	3.24	9.38	3.30	9.83	3.35
	43	7.86	3.02	8.31	3.07	8.76	3.11	8.98	3.14	9.65	3.20	10.10	3.25
	40	8.13	2.92	8.58	2.96	9.03	3.01	9.25	3.04	9.92	3.10	10.37	3.15
	35	8.58	2.74	9.03	2.78	9.47	2.83	9.70	2.85	10.37	2.92	10.82	2.96
	32	8.85	2.66	9.30	2.69	9.75	2.76	9.98	2.77	10.64	2.84	11.09	2.88
	25	9.49	2.43	9.93	2.46	10.38	2.53	10.61	2.53	11.27	2.62	11.73	2.64
	22	9.76	2.33	10.21	2.36	10.65	2.43	10.88	2.43	11.54	2.52	12.00	2.54
13 + 07 + 07 + 05 + 05	46	7.75	3.23	8.20	3.27	8.66	3.32	8.89	3.35	9.57	3.41	10.03	3.46
	43	8.02	3.13	8.48	3.17	8.94	3.22	9.17	3.24	9.85	3.31	10.31	3.36
	40	8.30	3.02	8.76	3.06	9.21	3.12	9.44	3.14	10.12	3.21	10.59	3.25
	35	8.76	2.83	9.21	2.88	9.67	2.92	9.90	2.95	10.58	3.01	11.04	3.06
	32	9.04	2.75	9.49	2.79	9.95	2.85	10.18	2.86	10.86	2.94	11.32	2.97
	25	9.68	2.51	10.14	2.54	10.60	2.61	10.83	2.62	11.50	2.71	11.97	2.73
	22	9.96	2.41	10.42	2.44	10.87	2.51	11.10	2.51	11.78	2.60	12.24	2.63

Cooling

5 - rooms multisplit : 5 - units operation

Indoor units : 16 type + 07 type + 07 type + 05 type + 05 type 16 type + 10 type + 07 type + 05 type + 05 type
 18 type + 07 type + 07 type + 05 type + 05 type 18 type + 10 type + 07 type + 05 type + 05 type
 10 type + 10 type + 07 type + 05 type + 05 type 13 type + 13 type + 07 type + 05 type + 05 type
 13 type + 10 type + 07 type + 05 type + 05 type 16 type + 13 type + 07 type + 05 type + 05 type

TC : Total capacity [kW]

PI : Power input [kW]

Outdoor unit : RAS-5M34U2AVG-E

Combination (Capacity)	Outdoor air temp. [°C DB]	Indoor air temp. [°C WB]											
		14		16		18		19		22		24	
		TC [kW]	PI [kW]	TC [kW]	PI [kW]	TC [kW]	PI [kW]	TC [kW]	PI [kW]	TC [kW]	PI [kW]	TC [kW]	PI [kW]
16 + 07 + 07 + 05 + 05	46	7.75	3.23	8.20	3.27	8.66	3.32	8.89	3.35	9.57	3.41	10.03	3.46
	43	8.02	3.13	8.48	3.17	8.94	3.22	9.17	3.24	9.85	3.31	10.31	3.36
	40	8.30	3.02	8.76	3.06	9.21	3.12	9.44	3.14	10.12	3.21	10.59	3.25
	35	8.76	2.83	9.21	2.88	9.67	2.92	9.90	2.95	10.58	3.01	11.04	3.06
	32	9.04	2.75	9.49	2.79	9.95	2.85	10.18	2.86	10.86	2.94	11.32	2.97
	25	9.68	2.51	10.14	2.54	10.60	2.61	10.83	2.62	11.50	2.71	11.97	2.73
	22	9.96	2.41	10.42	2.44	10.87	2.51	11.10	2.51	11.78	2.60	12.24	2.63
18 + 07 + 07 + 05 + 05	46	7.75	3.23	8.20	3.27	8.66	3.32	8.89	3.35	9.57	3.41	10.03	3.46
	43	8.02	3.13	8.48	3.17	8.94	3.22	9.17	3.24	9.85	3.31	10.31	3.36
	40	8.30	3.02	8.76	3.06	9.21	3.12	9.44	3.14	10.12	3.21	10.59	3.25
	35	8.76	2.83	9.21	2.88	9.67	2.92	9.90	2.95	10.58	3.01	11.04	3.06
	32	9.04	2.75	9.49	2.79	9.95	2.85	10.18	2.86	10.86	2.94	11.32	2.97
	25	9.68	2.51	10.14	2.54	10.60	2.61	10.83	2.62	11.50	2.71	11.97	2.73
	22	9.96	2.41	10.42	2.44	10.87	2.51	11.10	2.51	11.78	2.60	12.24	2.63
10 + 10 + 07 + 05 + 05	46	7.75	3.23	8.20	3.27	8.66	3.32	8.89	3.35	9.57	3.41	10.03	3.46
	43	8.02	3.13	8.48	3.17	8.94	3.22	9.17	3.24	9.85	3.31	10.31	3.36
	40	8.30	3.02	8.76	3.06	9.21	3.12	9.44	3.14	10.12	3.21	10.59	3.25
	35	8.76	2.83	9.21	2.88	9.67	2.92	9.90	2.95	10.58	3.01	11.04	3.06
	32	9.04	2.75	9.49	2.79	9.95	2.85	10.18	2.86	10.86	2.94	11.32	2.97
	25	9.68	2.51	10.14	2.54	10.60	2.61	10.83	2.62	11.50	2.71	11.97	2.73
	22	9.96	2.41	10.42	2.44	10.87	2.51	11.10	2.51	11.78	2.60	12.24	2.63
13 + 10 + 07 + 05 + 05	46	7.75	3.23	8.20	3.27	8.66	3.32	8.89	3.35	9.57	3.41	10.03	3.46
	43	8.02	3.13	8.48	3.17	8.94	3.22	9.17	3.24	9.85	3.31	10.31	3.36
	40	8.30	3.02	8.76	3.06	9.21	3.12	9.44	3.14	10.12	3.21	10.59	3.25
	35	8.76	2.83	9.21	2.88	9.67	2.92	9.90	2.95	10.58	3.01	11.04	3.06
	32	9.04	2.75	9.49	2.79	9.95	2.85	10.18	2.86	10.86	2.94	11.32	2.97
	25	9.68	2.51	10.14	2.54	10.60	2.61	10.83	2.62	11.50	2.71	11.97	2.73
	22	9.96	2.41	10.42	2.44	10.87	2.51	11.10	2.51	11.78	2.60	12.24	2.63
16 + 10 + 07 + 05 + 05	46	7.75	3.23	8.20	3.27	8.66	3.32	8.89	3.35	9.57	3.41	10.03	3.46
	43	8.02	3.13	8.48	3.17	8.94	3.22	9.17	3.24	9.85	3.31	10.31	3.36
	40	8.30	3.02	8.76	3.06	9.21	3.12	9.44	3.14	10.12	3.21	10.59	3.25
	35	8.76	2.83	9.21	2.88	9.67	2.92	9.90	2.95	10.58	3.01	11.04	3.06
	32	9.04	2.75	9.49	2.79	9.95	2.85	10.18	2.86	10.86	2.94	11.32	2.97
	25	9.68	2.51	10.14	2.54	10.60	2.61	10.83	2.62	11.50	2.71	11.97	2.73
	22	9.96	2.41	10.42	2.44	10.87	2.51	11.10	2.51	11.78	2.60	12.24	2.63
18 + 10 + 07 + 05 + 05	46	7.75	3.23	8.20	3.27	8.66	3.32	8.89	3.35	9.57	3.41	10.03	3.46
	43	8.02	3.13	8.48	3.17	8.94	3.22	9.17	3.24	9.85	3.31	10.31	3.36
	40	8.30	3.02	8.76	3.06	9.21	3.12	9.44	3.14	10.12	3.21	10.59	3.25
	35	8.76	2.83	9.21	2.88	9.67	2.92	9.90	2.95	10.58	3.01	11.04	3.06
	32	9.04	2.75	9.49	2.79	9.95	2.85	10.18	2.86	10.86	2.94	11.32	2.97
	25	9.68	2.51	10.14	2.54	10.60	2.61	10.83	2.62	11.50	2.71	11.97	2.73
	22	9.96	2.41	10.42	2.44	10.87	2.51	11.10	2.51	11.78	2.60	12.24	2.63
13 + 13 + 07 + 05 + 05	46	7.75	3.23	8.20	3.27	8.66	3.32	8.89	3.35	9.57	3.41	10.03	3.46
	43	8.02	3.13	8.48	3.17	8.94	3.22	9.17	3.24	9.85	3.31	10.31	3.36
	40	8.30	3.02	8.76	3.06	9.21	3.12	9.44	3.14	10.12	3.21	10.59	3.25
	35	8.76	2.83	9.21	2.88	9.67	2.92	9.90	2.95	10.58	3.01	11.04	3.06
	32	9.04	2.75	9.49	2.79	9.95	2.85	10.18	2.86	10.86	2.94	11.32	2.97
	25	9.68	2.51	10.14	2.54	10.60	2.61	10.83	2.62	11.50	2.71	11.97	2.73
	22	9.96	2.41	10.42	2.44	10.87	2.51	11.10	2.51	11.78	2.60	12.24	2.63
16 + 13 + 07 + 05 + 05	46	7.75	3.23	8.20	3.27	8.66	3.32	8.89	3.35	9.57	3.41	10.03	3.46
	43	8.02	3.13	8.48	3.17	8.94	3.22	9.17	3.24	9.85	3.31	10.31	3.36
	40	8.30	3.02	8.76	3.06	9.21	3.12	9.44	3.14	10.12	3.21	10.59	3.25
	35	8.76	2.83	9.21	2.88	9.67	2.92	9.90	2.95	10.58	3.01	11.04	3.06
	32	9.04	2.75	9.49	2.79	9.95	2.85	10.18	2.86	10.86	2.94	11.32	2.97
	25	9.68	2.51	10.14	2.54	10.60	2.61	10.83	2.62	11.50	2.71	11.97	2.73
	22	9.96	2.41	10.42	2.44	10.87	2.51	11.10	2.51	11.78	2.60	12.24	2.63

Cooling

5 - rooms multisplit : 5 - units operation

Indoor units : 18 type + 13 type + 07 type + 05 type + 05 type 13 type + 10 type + 10 type + 05 type + 05 type
 16 type + 16 type + 07 type + 05 type + 05 type 16 type + 10 type + 10 type + 05 type + 05 type
 18 type + 16 type + 07 type + 05 type + 05 type 18 type + 10 type + 10 type + 05 type + 05 type
 10 type + 10 type + 10 type + 05 type + 05 type 13 type + 13 type + 10 type + 05 type + 05 type

TC : Total capacity [kW]
 PI : Power input [kW]

Outdoor unit : RAS-5M34U2AVG-E

Combination (Capacity)	Outdoor air temp. [°C DB]	Indoor air temp. [°C WB]											
		14		16		18		19		22		24	
		TC [kW]	PI [kW]	TC [kW]	PI [kW]	TC [kW]	PI [kW]	TC [kW]	PI [kW]	TC [kW]	PI [kW]	TC [kW]	PI [kW]
18 + 13 + 07 + 05 + 05	46	7.75	3.23	8.20	3.27	8.66	3.32	8.89	3.35	9.57	3.41	10.03	3.46
	43	8.02	3.13	8.48	3.17	8.94	3.22	9.17	3.24	9.85	3.31	10.31	3.36
	40	8.30	3.02	8.76	3.06	9.21	3.12	9.44	3.14	10.12	3.21	10.59	3.25
	35	8.76	2.83	9.21	2.88	9.67	2.92	9.90	2.95	10.58	3.01	11.04	3.06
	32	9.04	2.75	9.49	2.79	9.95	2.85	10.18	2.86	10.86	2.94	11.32	2.97
	25	9.68	2.51	10.14	2.54	10.60	2.61	10.83	2.62	11.50	2.71	11.97	2.73
	22	9.96	2.41	10.42	2.44	10.87	2.51	11.10	2.51	11.78	2.60	12.24	2.63
16 + 16 + 07 + 05 + 05	46	7.75	3.23	8.20	3.27	8.66	3.32	8.89	3.35	9.57	3.41	10.03	3.46
	43	8.02	3.13	8.48	3.17	8.94	3.22	9.17	3.24	9.85	3.31	10.31	3.36
	40	8.30	3.02	8.76	3.06	9.21	3.12	9.44	3.14	10.12	3.21	10.59	3.25
	35	8.76	2.83	9.21	2.88	9.67	2.92	9.90	2.95	10.58	3.01	11.04	3.06
	32	9.04	2.75	9.49	2.79	9.95	2.85	10.18	2.86	10.86	2.94	11.32	2.97
	25	9.68	2.51	10.14	2.54	10.60	2.61	10.83	2.62	11.50	2.71	11.97	2.73
	22	9.96	2.41	10.42	2.44	10.87	2.51	11.10	2.51	11.78	2.60	12.24	2.63
18 + 16 + 07 + 05 + 05	46	7.75	3.23	8.20	3.27	8.66	3.32	8.89	3.35	9.57	3.41	10.03	3.46
	43	8.02	3.13	8.48	3.17	8.94	3.22	9.17	3.24	9.85	3.31	10.31	3.36
	40	8.30	3.02	8.76	3.06	9.21	3.12	9.44	3.14	10.12	3.21	10.59	3.25
	35	8.76	2.83	9.21	2.88	9.67	2.92	9.90	2.95	10.58	3.01	11.04	3.06
	32	9.04	2.75	9.49	2.79	9.95	2.85	10.18	2.86	10.86	2.94	11.32	2.97
	25	9.68	2.51	10.14	2.54	10.60	2.61	10.83	2.62	11.50	2.71	11.97	2.73
	22	9.96	2.41	10.42	2.44	10.87	2.51	11.10	2.51	11.78	2.60	12.24	2.63
10 + 10 + 10 + 05 + 05	46	7.75	3.23	8.20	3.27	8.66	3.32	8.89	3.35	9.57	3.41	10.03	3.46
	43	8.02	3.13	8.48	3.17	8.94	3.22	9.17	3.24	9.85	3.31	10.31	3.36
	40	8.30	3.02	8.76	3.06	9.21	3.12	9.44	3.14	10.12	3.21	10.59	3.25
	35	8.76	2.83	9.21	2.88	9.67	2.92	9.90	2.95	10.58	3.01	11.04	3.06
	32	9.04	2.75	9.49	2.79	9.95	2.85	10.18	2.86	10.86	2.94	11.32	2.97
	25	9.68	2.51	10.14	2.54	10.60	2.61	10.83	2.62	11.50	2.71	11.97	2.73
	22	9.96	2.41	10.42	2.44	10.87	2.51	11.10	2.51	11.78	2.60	12.24	2.63
13 + 10 + 10 + 05 + 05	46	7.75	3.23	8.20	3.27	8.66	3.32	8.89	3.35	9.57	3.41	10.03	3.46
	43	8.02	3.13	8.48	3.17	8.94	3.22	9.17	3.24	9.85	3.31	10.31	3.36
	40	8.30	3.02	8.76	3.06	9.21	3.12	9.44	3.14	10.12	3.21	10.59	3.25
	35	8.76	2.83	9.21	2.88	9.67	2.92	9.90	2.95	10.58	3.01	11.04	3.06
	32	9.04	2.75	9.49	2.79	9.95	2.85	10.18	2.86	10.86	2.94	11.32	2.97
	25	9.68	2.51	10.14	2.54	10.60	2.61	10.83	2.62	11.50	2.71	11.97	2.73
	22	9.96	2.41	10.42	2.44	10.87	2.51	11.10	2.51	11.78	2.60	12.24	2.63
16 + 10 + 10 + 05 + 05	46	7.75	3.23	8.20	3.27	8.66	3.32	8.89	3.35	9.57	3.41	10.03	3.46
	43	8.02	3.13	8.48	3.17	8.94	3.22	9.17	3.24	9.85	3.31	10.31	3.36
	40	8.30	3.02	8.76	3.06	9.21	3.12	9.44	3.14	10.12	3.21	10.59	3.25
	35	8.76	2.83	9.21	2.88	9.67	2.92	9.90	2.95	10.58	3.01	11.04	3.06
	32	9.04	2.75	9.49	2.79	9.95	2.85	10.18	2.86	10.86	2.94	11.32	2.97
	25	9.68	2.51	10.14	2.54	10.60	2.61	10.83	2.62	11.50	2.71	11.97	2.73
	22	9.96	2.41	10.42	2.44	10.87	2.51	11.10	2.51	11.78	2.60	12.24	2.63
18 + 10 + 10 + 05 + 05	46	7.75	3.23	8.20	3.27	8.66	3.32	8.89	3.35	9.57	3.41	10.03	3.46
	43	8.02	3.13	8.48	3.17	8.94	3.22	9.17	3.24	9.85	3.31	10.31	3.36
	40	8.30	3.02	8.76	3.06	9.21	3.12	9.44	3.14	10.12	3.21	10.59	3.25
	35	8.76	2.83	9.21	2.88	9.67	2.92	9.90	2.95	10.58	3.01	11.04	3.06
	32	9.04	2.75	9.49	2.79	9.95	2.85	10.18	2.86	10.86	2.94	11.32	2.97
	25	9.68	2.51	10.14	2.54	10.60	2.61	10.83	2.62	11.50	2.71	11.97	2.73
	22	9.96	2.41	10.42	2.44	10.87	2.51	11.10	2.51	11.78	2.60	12.24	2.63
13 + 13 + 10 + 05 + 05	46	7.75	3.23	8.20	3.27	8.66	3.32	8.89	3.35	9.57	3.41	10.03	3.46
	43	8.02	3.13	8.48	3.17	8.94	3.22	9.17	3.24	9.85	3.31	10.31	3.36
	40	8.30	3.02	8.76	3.06	9.21	3.12	9.44	3.14	10.12	3.21	10.59	3.25
	35	8.76	2.83	9.21	2.88	9.67	2.92	9.90	2.95	10.58	3.01	11.04	3.06
	32	9.04	2.75	9.49	2.79	9.95	2.85	10.18	2.86	10.86	2.94	11.32	2.97
	25	9.68	2.51	10.14	2.54	10.60	2.61	10.83	2.62	11.50	2.71	11.97	2.73
	22	9.96	2.41	10.42	2.44	10.87	2.51	11.10	2.51	11.78	2.60	12.24	2.63

Cooling

5 - rooms multisplit : 5 - units operation

Indoor units : 07 type + 07 type + 07 type + 07 type + 05 type
 10 type + 07 type + 07 type + 07 type + 05 type
 13 type + 07 type + 07 type + 07 type + 05 type
 16 type + 07 type + 07 type + 07 type + 05 type

18 type + 07 type + 07 type + 07 type + 05 type
 10 type + 10 type + 07 type + 07 type + 05 type
 13 type + 10 type + 07 type + 07 type + 05 type
 16 type + 10 type + 07 type + 07 type + 05 type

TC : Total capacity [kW]
 PI : Power input [kW]

Outdoor unit : RAS-5M34U2AVG-E

Combination (Capacity)	Outdoor air temp. [°C DB]	Indoor air temp. [°C WB]											
		14		16		18		19		22		24	
		TC [kW]	PI [kW]	TC [kW]	PI [kW]	TC [kW]	PI [kW]	TC [kW]	PI [kW]	TC [kW]	PI [kW]	TC [kW]	PI [kW]
07 + 07 + 07 + 07 + 05	46	7.43	3.07	7.87	3.11	8.31	3.15	8.53	3.18	9.19	3.24	9.63	3.29
	43	7.70	2.97	8.14	3.01	8.58	3.06	8.80	3.08	9.45	3.15	9.89	3.19
	40	7.96	2.87	8.40	2.91	8.84	2.96	9.06	2.98	9.71	3.05	10.16	3.09
	35	8.40	2.69	8.84	2.73	9.28	2.78	9.50	2.80	10.16	2.86	10.60	2.91
	32	8.67	2.61	9.11	2.65	9.55	2.71	9.77	2.72	10.42	2.79	10.87	2.83
	25	9.29	2.39	9.73	2.41	10.17	2.48	10.39	2.49	11.04	2.57	11.48	2.60
	22	9.56	2.29	10.00	2.32	10.43	2.39	10.65	2.39	11.30	2.48	11.75	2.50
10 + 07 + 07 + 07 + 05	46	7.75	3.23	8.20	3.27	8.66	3.32	8.89	3.35	9.57	3.41	10.03	3.46
	43	8.02	3.13	8.48	3.17	8.94	3.22	9.17	3.24	9.85	3.31	10.31	3.36
	40	8.30	3.02	8.76	3.06	9.21	3.12	9.44	3.14	10.12	3.21	10.59	3.25
	35	8.76	2.83	9.21	2.88	9.67	2.92	9.90	2.95	10.58	3.01	11.04	3.06
	32	9.04	2.75	9.49	2.79	9.95	2.85	10.18	2.86	10.86	2.94	11.32	2.97
	25	9.68	2.51	10.14	2.54	10.60	2.61	10.83	2.62	11.50	2.71	11.97	2.73
	22	9.96	2.41	10.42	2.44	10.87	2.51	11.10	2.51	11.78	2.60	12.24	2.63
13 + 07 + 07 + 07 + 05	46	7.75	3.23	8.20	3.27	8.66	3.32	8.89	3.35	9.57	3.41	10.03	3.46
	43	8.02	3.13	8.48	3.17	8.94	3.22	9.17	3.24	9.85	3.31	10.31	3.36
	40	8.30	3.02	8.76	3.06	9.21	3.12	9.44	3.14	10.12	3.21	10.59	3.25
	35	8.76	2.83	9.21	2.88	9.67	2.92	9.90	2.95	10.58	3.01	11.04	3.06
	32	9.04	2.75	9.49	2.79	9.95	2.85	10.18	2.86	10.86	2.94	11.32	2.97
	25	9.68	2.51	10.14	2.54	10.60	2.61	10.83	2.62	11.50	2.71	11.97	2.73
	22	9.96	2.41	10.42	2.44	10.87	2.51	11.10	2.51	11.78	2.60	12.24	2.63
16 + 07 + 07 + 07 + 05	46	7.75	3.23	8.20	3.27	8.66	3.32	8.89	3.35	9.57	3.41	10.03	3.46
	43	8.02	3.13	8.48	3.17	8.94	3.22	9.17	3.24	9.85	3.31	10.31	3.36
	40	8.30	3.02	8.76	3.06	9.21	3.12	9.44	3.14	10.12	3.21	10.59	3.25
	35	8.76	2.83	9.21	2.88	9.67	2.92	9.90	2.95	10.58	3.01	11.04	3.06
	32	9.04	2.75	9.49	2.79	9.95	2.85	10.18	2.86	10.86	2.94	11.32	2.97
	25	9.68	2.51	10.14	2.54	10.60	2.61	10.83	2.62	11.50	2.71	11.97	2.73
	22	9.96	2.41	10.42	2.44	10.87	2.51	11.10	2.51	11.78	2.60	12.24	2.63
18 + 07 + 07 + 07 + 05	46	7.75	3.23	8.20	3.27	8.66	3.32	8.89	3.35	9.57	3.41	10.03	3.46
	43	8.02	3.13	8.48	3.17	8.94	3.22	9.17	3.24	9.85	3.31	10.31	3.36
	40	8.30	3.02	8.76	3.06	9.21	3.12	9.44	3.14	10.12	3.21	10.59	3.25
	35	8.76	2.83	9.21	2.88	9.67	2.92	9.90	2.95	10.58	3.01	11.04	3.06
	32	9.04	2.75	9.49	2.79	9.95	2.85	10.18	2.86	10.86	2.94	11.32	2.97
	25	9.68	2.51	10.14	2.54	10.60	2.61	10.83	2.62	11.50	2.71	11.97	2.73
	22	9.96	2.41	10.42	2.44	10.87	2.51	11.10	2.51	11.78	2.60	12.24	2.63
10 + 10 + 07 + 07 + 05	46	7.75	3.23	8.20	3.27	8.66	3.32	8.89	3.35	9.57	3.41	10.03	3.46
	43	8.02	3.13	8.48	3.17	8.94	3.22	9.17	3.24	9.85	3.31	10.31	3.36
	40	8.30	3.02	8.76	3.06	9.21	3.12	9.44	3.14	10.12	3.21	10.59	3.25
	35	8.76	2.83	9.21	2.88	9.67	2.92	9.90	2.95	10.58	3.01	11.04	3.06
	32	9.04	2.75	9.49	2.79	9.95	2.85	10.18	2.86	10.86	2.94	11.32	2.97
	25	9.68	2.51	10.14	2.54	10.60	2.61	10.83	2.62	11.50	2.71	11.97	2.73
	22	9.96	2.41	10.42	2.44	10.87	2.51	11.10	2.51	11.78	2.60	12.24	2.63
13 + 10 + 07 + 07 + 05	46	7.75	3.23	8.20	3.27	8.66	3.32	8.89	3.35	9.57	3.41	10.03	3.46
	43	8.02	3.13	8.48	3.17	8.94	3.22	9.17	3.24	9.85	3.31	10.31	3.36
	40	8.30	3.02	8.76	3.06	9.21	3.12	9.44	3.14	10.12	3.21	10.59	3.25
	35	8.76	2.83	9.21	2.88	9.67	2.92	9.90	2.95	10.58	3.01	11.04	3.06
	32	9.04	2.75	9.49	2.79	9.95	2.85	10.18	2.86	10.86	2.94	11.32	2.97
	25	9.68	2.51	10.14	2.54	10.60	2.61	10.83	2.62	11.50	2.71	11.97	2.73
	22	9.96	2.41	10.42	2.44	10.87	2.51	11.10	2.51	11.78	2.60	12.24	2.63
16 + 10 + 07 + 07 + 05	46	7.75	3.23	8.20	3.27	8.66	3.32	8.89	3.35	9.57	3.41	10.03	3.46
	43	8.02	3.13	8.48	3.17	8.94	3.22	9.17	3.24	9.85	3.31	10.31	3.36
	40	8.30	3.02	8.76	3.06	9.21	3.12	9.44	3.14	10.12	3.21	10.59	3.25
	35	8.76	2.83	9.21	2.88	9.67	2.92	9.90	2.95	10.58	3.01	11.04	3.06
	32	9.04	2.75	9.49	2.79	9.95	2.85	10.18	2.86	10.86	2.94	11.32	2.97
	25	9.68	2.51	10.14	2.54	10.60	2.61	10.83	2.62	11.50	2.71	11.97	2.73
	22	9.96	2.41	10.42	2.44	10.87	2.51	11.10	2.51	11.78	2.60	12.24	2.63

Cooling

5 - rooms multisplit : 5 - units operation

Indoor units : 18 type + 10 type + 07 type + 07 type + 05 type 13 type + 10 type + 10 type + 07 type + 05 type
 13 type + 13 type + 07 type + 07 type + 05 type 16 type + 10 type + 10 type + 07 type + 05 type
 16 type + 13 type + 07 type + 07 type + 05 type 10 type + 10 type + 10 type + 07 type + 05 type
 10 type + 10 type + 07 type + 07 type + 05 type 07 type + 07 type + 07 type + 07 type + 07 type

TC : Total capacity [kW]
 PI : Power input [kW]

Outdoor unit : RAS-5M34U2AVG-E

Combination (Capacity)	Outdoor air temp. [°C DB]	Indoor air temp. [°C WB]											
		14		16		18		19		22		24	
		TC [kW]	PI [kW]	TC [kW]	PI [kW]	TC [kW]	PI [kW]	TC [kW]	PI [kW]	TC [kW]	PI [kW]	TC [kW]	PI [kW]
18 + 10 + 07 + 07 + 05	46	7.75	3.23	8.20	3.27	8.66	3.32	8.89	3.35	9.57	3.41	10.03	3.46
	43	8.02	3.13	8.48	3.17	8.94	3.22	9.17	3.24	9.85	3.31	10.31	3.36
	40	8.30	3.02	8.76	3.06	9.21	3.12	9.44	3.14	10.12	3.21	10.59	3.25
	35	8.76	2.83	9.21	2.88	9.67	2.92	9.90	2.95	10.58	3.01	11.04	3.06
	32	9.04	2.75	9.49	2.79	9.95	2.85	10.18	2.86	10.86	2.94	11.32	2.97
	25	9.68	2.51	10.14	2.54	10.60	2.61	10.83	2.62	11.50	2.71	11.97	2.73
	22	9.96	2.41	10.42	2.44	10.87	2.51	11.10	2.51	11.78	2.60	12.24	2.63
13 + 13 + 07 + 07 + 05	46	7.75	3.23	8.20	3.27	8.66	3.32	8.89	3.35	9.57	3.41	10.03	3.46
	43	8.02	3.13	8.48	3.17	8.94	3.22	9.17	3.24	9.85	3.31	10.31	3.36
	40	8.30	3.02	8.76	3.06	9.21	3.12	9.44	3.14	10.12	3.21	10.59	3.25
	35	8.76	2.83	9.21	2.88	9.67	2.92	9.90	2.95	10.58	3.01	11.04	3.06
	32	9.04	2.75	9.49	2.79	9.95	2.85	10.18	2.86	10.86	2.94	11.32	2.97
	25	9.68	2.51	10.14	2.54	10.60	2.61	10.83	2.62	11.50	2.71	11.97	2.73
	22	9.96	2.41	10.42	2.44	10.87	2.51	11.10	2.51	11.78	2.60	12.24	2.63
16 + 13 + 07 + 07 + 05	46	7.75	3.23	8.20	3.27	8.66	3.32	8.89	3.35	9.57	3.41	10.03	3.46
	43	8.02	3.13	8.48	3.17	8.94	3.22	9.17	3.24	9.85	3.31	10.31	3.36
	40	8.30	3.02	8.76	3.06	9.21	3.12	9.44	3.14	10.12	3.21	10.59	3.25
	35	8.76	2.83	9.21	2.88	9.67	2.92	9.90	2.95	10.58	3.01	11.04	3.06
	32	9.04	2.75	9.49	2.79	9.95	2.85	10.18	2.86	10.86	2.94	11.32	2.97
	25	9.68	2.51	10.14	2.54	10.60	2.61	10.83	2.62	11.50	2.71	11.97	2.73
	22	9.96	2.41	10.42	2.44	10.87	2.51	11.10	2.51	11.78	2.60	12.24	2.63
10 + 10 + 10 + 07 + 05	46	7.75	3.23	8.20	3.27	8.66	3.32	8.89	3.35	9.57	3.41	10.03	3.46
	43	8.02	3.13	8.48	3.17	8.94	3.22	9.17	3.24	9.85	3.31	10.31	3.36
	40	8.30	3.02	8.76	3.06	9.21	3.12	9.44	3.14	10.12	3.21	10.59	3.25
	35	8.76	2.83	9.21	2.88	9.67	2.92	9.90	2.95	10.58	3.01	11.04	3.06
	32	9.04	2.75	9.49	2.79	9.95	2.85	10.18	2.86	10.86	2.94	11.32	2.97
	25	9.68	2.51	10.14	2.54	10.60	2.61	10.83	2.62	11.50	2.71	11.97	2.73
	22	9.96	2.41	10.42	2.44	10.87	2.51	11.10	2.51	11.78	2.60	12.24	2.63
13 + 10 + 10 + 07 + 05	46	7.75	3.23	8.20	3.27	8.66	3.32	8.89	3.35	9.57	3.41	10.03	3.46
	43	8.02	3.13	8.48	3.17	8.94	3.22	9.17	3.24	9.85	3.31	10.31	3.36
	40	8.30	3.02	8.76	3.06	9.21	3.12	9.44	3.14	10.12	3.21	10.59	3.25
	35	8.76	2.83	9.21	2.88	9.67	2.92	9.90	2.95	10.58	3.01	11.04	3.06
	32	9.04	2.75	9.49	2.79	9.95	2.85	10.18	2.86	10.86	2.94	11.32	2.97
	25	9.68	2.51	10.14	2.54	10.60	2.61	10.83	2.62	11.50	2.71	11.97	2.73
	22	9.96	2.41	10.42	2.44	10.87	2.51	11.10	2.51	11.78	2.60	12.24	2.63
16 + 10 + 10 + 07 + 05	46	7.75	3.23	8.20	3.27	8.66	3.32	8.89	3.35	9.57	3.41	10.03	3.46
	43	8.02	3.13	8.48	3.17	8.94	3.22	9.17	3.24	9.85	3.31	10.31	3.36
	40	8.30	3.02	8.76	3.06	9.21	3.12	9.44	3.14	10.12	3.21	10.59	3.25
	35	8.76	2.83	9.21	2.88	9.67	2.92	9.90	2.95	10.58	3.01	11.04	3.06
	32	9.04	2.75	9.49	2.79	9.95	2.85	10.18	2.86	10.86	2.94	11.32	2.97
	25	9.68	2.51	10.14	2.54	10.60	2.61	10.83	2.62	11.50	2.71	11.97	2.73
	22	9.96	2.41	10.42	2.44	10.87	2.51	11.10	2.51	11.78	2.60	12.24	2.63
10 + 10 + 10 + 10 + 05	46	7.75	3.23	8.20	3.27	8.66	3.32	8.89	3.35	9.57	3.41	10.03	3.46
	43	8.02	3.13	8.48	3.17	8.94	3.22	9.17	3.24	9.85	3.31	10.31	3.36
	40	8.30	3.02	8.76	3.06	9.21	3.12	9.44	3.14	10.12	3.21	10.59	3.25
	35	8.76	2.83	9.21	2.88	9.67	2.92	9.90	2.95	10.58	3.01	11.04	3.06
	32	9.04	2.75	9.49	2.79	9.95	2.85	10.18	2.86	10.86	2.94	11.32	2.97
	25	9.68	2.51	10.14	2.54	10.60	2.61	10.83	2.62	11.50	2.71	11.97	2.73
	22	9.96	2.41	10.42	2.44	10.87	2.51	11.10	2.51	11.78	2.60	12.24	2.63
07 + 07 + 07 + 07 + 07	46	7.67	3.20	8.12	3.24	8.57	3.29	8.80	3.32	9.48	3.38	9.93	3.43
	43	7.94	3.09	8.39	3.14	8.85	3.19	9.07	3.21	9.75	3.28	10.20	3.32
	40	8.22	2.99	8.67	3.03	9.12	3.09	9.35	3.11	10.02	3.18	10.48	3.22
	35	8.67	2.80	9.12	2.85	9.57	2.89	9.80	2.92	10.48	2.98	10.93	3.03
	32	8.95	2.72	9.40	2.76	9.85	2.82	10.08	2.83	10.75	2.91	11.21	2.95
	25	9.58	2.49	10.04	2.52	10.49	2.59	10.72	2.59	11.38	2.68	11.85	2.70
	22	9.86	2.38	10.31	2.41	10.76	2.49	10.99	2.49	11.66	2.58	12.12	2.60

Cooling

5 - rooms multisplit : 5 - units operation

Indoor units : 10 type + 07 type + 07 type + 07 type + 07 type
 13 type + 07 type + 07 type + 07 type + 07 type
 16 type + 07 type + 07 type + 07 type + 07 type
 18 type + 07 type + 07 type + 07 type + 07 type

10 type + 10 type + 07 type + 07 type + 07 type
 13 type + 10 type + 07 type + 07 type + 07 type
 16 type + 10 type + 07 type + 07 type + 07 type
 18 type + 10 type + 07 type + 07 type + 07 type

TC : Total capacity [kW]
 PI : Power input [kW]

Outdoor unit : RAS-5M34U2AVG-E

Combination (Capacity)	Outdoor air temp. [°C DB]	Indoor air temp. [°C WB]											
		14		16		18		19		22		24	
		TC [kW]	PI [kW]	TC [kW]	PI [kW]	TC [kW]	PI [kW]	TC [kW]	PI [kW]	TC [kW]	PI [kW]	TC [kW]	PI [kW]
10 + 07 + 07 + 07 + 07	46	7.75	3.23	8.20	3.27	8.66	3.32	8.89	3.35	9.57	3.41	10.03	3.46
	43	8.02	3.13	8.48	3.17	8.94	3.22	9.17	3.24	9.85	3.31	10.31	3.36
	40	8.30	3.02	8.76	3.06	9.21	3.12	9.44	3.14	10.12	3.21	10.59	3.25
	35	8.76	2.83	9.21	2.88	9.67	2.92	9.90	2.95	10.58	3.01	11.04	3.06
	32	9.04	2.75	9.49	2.79	9.95	2.85	10.18	2.86	10.86	2.94	11.32	2.97
	25	9.68	2.51	10.14	2.54	10.60	2.61	10.83	2.62	11.50	2.71	11.97	2.73
	22	9.96	2.41	10.42	2.44	10.87	2.51	11.10	2.51	11.78	2.60	12.24	2.63
13 + 07 + 07 + 07 + 07	46	7.75	3.23	8.20	3.27	8.66	3.32	8.89	3.35	9.57	3.41	10.03	3.46
	43	8.02	3.13	8.48	3.17	8.94	3.22	9.17	3.24	9.85	3.31	10.31	3.36
	40	8.30	3.02	8.76	3.06	9.21	3.12	9.44	3.14	10.12	3.21	10.59	3.25
	35	8.76	2.83	9.21	2.88	9.67	2.92	9.90	2.95	10.58	3.01	11.04	3.06
	32	9.04	2.75	9.49	2.79	9.95	2.85	10.18	2.86	10.86	2.94	11.32	2.97
	25	9.68	2.51	10.14	2.54	10.60	2.61	10.83	2.62	11.50	2.71	11.97	2.73
	22	9.96	2.41	10.42	2.44	10.87	2.51	11.10	2.51	11.78	2.60	12.24	2.63
16 + 07 + 07 + 07 + 07	46	7.75	3.23	8.20	3.27	8.66	3.32	8.89	3.35	9.57	3.41	10.03	3.46
	43	8.02	3.13	8.48	3.17	8.94	3.22	9.17	3.24	9.85	3.31	10.31	3.36
	40	8.30	3.02	8.76	3.06	9.21	3.12	9.44	3.14	10.12	3.21	10.59	3.25
	35	8.76	2.83	9.21	2.88	9.67	2.92	9.90	2.95	10.58	3.01	11.04	3.06
	32	9.04	2.75	9.49	2.79	9.95	2.85	10.18	2.86	10.86	2.94	11.32	2.97
	25	9.68	2.51	10.14	2.54	10.60	2.61	10.83	2.62	11.50	2.71	11.97	2.73
	22	9.96	2.41	10.42	2.44	10.87	2.51	11.10	2.51	11.78	2.60	12.24	2.63
18 + 07 + 07 + 07 + 07	46	7.75	3.23	8.20	3.27	8.66	3.32	8.89	3.35	9.57	3.41	10.03	3.46
	43	8.02	3.13	8.48	3.17	8.94	3.22	9.17	3.24	9.85	3.31	10.31	3.36
	40	8.30	3.02	8.76	3.06	9.21	3.12	9.44	3.14	10.12	3.21	10.59	3.25
	35	8.76	2.83	9.21	2.88	9.67	2.92	9.90	2.95	10.58	3.01	11.04	3.06
	32	9.04	2.75	9.49	2.79	9.95	2.85	10.18	2.86	10.86	2.94	11.32	2.97
	25	9.68	2.51	10.14	2.54	10.60	2.61	10.83	2.62	11.50	2.71	11.97	2.73
	22	9.96	2.41	10.42	2.44	10.87	2.51	11.10	2.51	11.78	2.60	12.24	2.63
10 + 10 + 07 + 07 + 07	46	7.75	3.23	8.20	3.27	8.66	3.32	8.89	3.35	9.57	3.41	10.03	3.46
	43	8.02	3.13	8.48	3.17	8.94	3.22	9.17	3.24	9.85	3.31	10.31	3.36
	40	8.30	3.02	8.76	3.06	9.21	3.12	9.44	3.14	10.12	3.21	10.59	3.25
	35	8.76	2.83	9.21	2.88	9.67	2.92	9.90	2.95	10.58	3.01	11.04	3.06
	32	9.04	2.75	9.49	2.79	9.95	2.85	10.18	2.86	10.86	2.94	11.32	2.97
	25	9.68	2.51	10.14	2.54	10.60	2.61	10.83	2.62	11.50	2.71	11.97	2.73
	22	9.96	2.41	10.42	2.44	10.87	2.51	11.10	2.51	11.78	2.60	12.24	2.63
13 + 10 + 07 + 07 + 07	46	7.75	3.23	8.20	3.27	8.66	3.32	8.89	3.35	9.57	3.41	10.03	3.46
	43	8.02	3.13	8.48	3.17	8.94	3.22	9.17	3.24	9.85	3.31	10.31	3.36
	40	8.30	3.02	8.76	3.06	9.21	3.12	9.44	3.14	10.12	3.21	10.59	3.25
	35	8.76	2.83	9.21	2.88	9.67	2.92	9.90	2.95	10.58	3.01	11.04	3.06
	32	9.04	2.75	9.49	2.79	9.95	2.85	10.18	2.86	10.86	2.94	11.32	2.97
	25	9.68	2.51	10.14	2.54	10.60	2.61	10.83	2.62	11.50	2.71	11.97	2.73
	22	9.96	2.41	10.42	2.44	10.87	2.51	11.10	2.51	11.78	2.60	12.24	2.63
16 + 10 + 07 + 07 + 07	46	7.75	3.23	8.20	3.27	8.66	3.32	8.89	3.35	9.57	3.41	10.03	3.46
	43	8.02	3.13	8.48	3.17	8.94	3.22	9.17	3.24	9.85	3.31	10.31	3.36
	40	8.30	3.02	8.76	3.06	9.21	3.12	9.44	3.14	10.12	3.21	10.59	3.25
	35	8.76	2.83	9.21	2.88	9.67	2.92	9.90	2.95	10.58	3.01	11.04	3.06
	32	9.04	2.75	9.49	2.79	9.95	2.85	10.18	2.86	10.86	2.94	11.32	2.97
	25	9.68	2.51	10.14	2.54	10.60	2.61	10.83	2.62	11.50	2.71	11.97	2.73
	22	9.96	2.41	10.42	2.44	10.87	2.51	11.10	2.51	11.78	2.60	12.24	2.63
18 + 10 + 07 + 07 + 07	46	7.75	3.23	8.20	3.27	8.66	3.32	8.89	3.35	9.57	3.41	10.03	3.46
	43	8.02	3.13	8.48	3.17	8.94	3.22	9.17	3.24	9.85	3.31	10.31	3.36
	40	8.30	3.02	8.76	3.06	9.21	3.12	9.44	3.14	10.12	3.21	10.59	3.25
	35	8.76	2.83	9.21	2.88	9.67	2.92	9.90	2.95	10.58	3.01	11.04	3.06
	32	9.04	2.75	9.49	2.79	9.95	2.85	10.18	2.86	10.86	2.94	11.32	2.97
	25	9.68	2.51	10.14	2.54	10.60	2.61	10.83	2.62	11.50	2.71	11.97	2.73
	22	9.96	2.41	10.42	2.44	10.87	2.51	11.10	2.51	11.78	2.60	12.24	2.63

Cooling

5 - rooms multisplit : 5 - units operation

Indoor units : 13 type + 13 type + 07 type + 07 type + 07 type
 16 type + 13 type + 07 type + 07 type + 07 type
 18 type + 13 type + 07 type + 07 type + 07 type
 16 type + 16 type + 07 type + 07 type + 07 type

18 type + 16 type + 07 type + 07 type + 07 type
 10 type + 10 type + 10 type + 07 type + 07 type
 13 type + 10 type + 10 type + 07 type + 07 type
 16 type + 10 type + 10 type + 07 type + 07 type

TC : Total capacity [kW]
 PI : Power input [kW]

Outdoor unit : RAS-5M34U2AVG-E

Combination (Capacity)	Outdoor air temp. [°C DB]	Indoor air temp. [°C WB]											
		14		16		18		19		22		24	
		TC [kW]	PI [kW]	TC [kW]	PI [kW]	TC [kW]	PI [kW]	TC [kW]	PI [kW]	TC [kW]	PI [kW]	TC [kW]	PI [kW]
13 + 13 + 07 + 07 + 07	46	7.75	3.23	8.20	3.27	8.66	3.32	8.89	3.35	9.57	3.41	10.03	3.46
	43	8.02	3.13	8.48	3.17	8.94	3.22	9.17	3.24	9.85	3.31	10.31	3.36
	40	8.30	3.02	8.76	3.06	9.21	3.12	9.44	3.14	10.12	3.21	10.59	3.25
	35	8.76	2.83	9.21	2.88	9.67	2.92	9.90	2.95	10.58	3.01	11.04	3.06
	32	9.04	2.75	9.49	2.79	9.95	2.85	10.18	2.86	10.86	2.94	11.32	2.97
	25	9.68	2.51	10.14	2.54	10.60	2.61	10.83	2.62	11.50	2.71	11.97	2.73
	22	9.96	2.41	10.42	2.44	10.87	2.51	11.10	2.51	11.78	2.60	12.24	2.63
16 + 13 + 07 + 07 + 07	46	7.75	3.23	8.20	3.27	8.66	3.32	8.89	3.35	9.57	3.41	10.03	3.46
	43	8.02	3.13	8.48	3.17	8.94	3.22	9.17	3.24	9.85	3.31	10.31	3.36
	40	8.30	3.02	8.76	3.06	9.21	3.12	9.44	3.14	10.12	3.21	10.59	3.25
	35	8.76	2.83	9.21	2.88	9.67	2.92	9.90	2.95	10.58	3.01	11.04	3.06
	32	9.04	2.75	9.49	2.79	9.95	2.85	10.18	2.86	10.86	2.94	11.32	2.97
	25	9.68	2.51	10.14	2.54	10.60	2.61	10.83	2.62	11.50	2.71	11.97	2.73
	22	9.96	2.41	10.42	2.44	10.87	2.51	11.10	2.51	11.78	2.60	12.24	2.63
18 + 13 + 07 + 07 + 07	46	7.75	3.23	8.20	3.27	8.66	3.32	8.89	3.35	9.57	3.41	10.03	3.46
	43	8.02	3.13	8.48	3.17	8.94	3.22	9.17	3.24	9.85	3.31	10.31	3.36
	40	8.30	3.02	8.76	3.06	9.21	3.12	9.44	3.14	10.12	3.21	10.59	3.25
	35	8.76	2.83	9.21	2.88	9.67	2.92	9.90	2.95	10.58	3.01	11.04	3.06
	32	9.04	2.75	9.49	2.79	9.95	2.85	10.18	2.86	10.86	2.94	11.32	2.97
	25	9.68	2.51	10.14	2.54	10.60	2.61	10.83	2.62	11.50	2.71	11.97	2.73
	22	9.96	2.41	10.42	2.44	10.87	2.51	11.10	2.51	11.78	2.60	12.24	2.63
16 + 16 + 07 + 07 + 07	46	7.75	3.23	8.20	3.27	8.66	3.32	8.89	3.35	9.57	3.41	10.03	3.46
	43	8.02	3.13	8.48	3.17	8.94	3.22	9.17	3.24	9.85	3.31	10.31	3.36
	40	8.30	3.02	8.76	3.06	9.21	3.12	9.44	3.14	10.12	3.21	10.59	3.25
	35	8.76	2.83	9.21	2.88	9.67	2.92	9.90	2.95	10.58	3.01	11.04	3.06
	32	9.04	2.75	9.49	2.79	9.95	2.85	10.18	2.86	10.86	2.94	11.32	2.97
	25	9.68	2.51	10.14	2.54	10.60	2.61	10.83	2.62	11.50	2.71	11.97	2.73
	22	9.96	2.41	10.42	2.44	10.87	2.51	11.10	2.51	11.78	2.60	12.24	2.63
18 + 16 + 07 + 07 + 07	46	7.75	3.23	8.20	3.27	8.66	3.32	8.89	3.35	9.57	3.41	10.03	3.46
	43	8.02	3.13	8.48	3.17	8.94	3.22	9.17	3.24	9.85	3.31	10.31	3.36
	40	8.30	3.02	8.76	3.06	9.21	3.12	9.44	3.14	10.12	3.21	10.59	3.25
	35	8.76	2.83	9.21	2.88	9.67	2.92	9.90	2.95	10.58	3.01	11.04	3.06
	32	9.04	2.75	9.49	2.79	9.95	2.85	10.18	2.86	10.86	2.94	11.32	2.97
	25	9.68	2.51	10.14	2.54	10.60	2.61	10.83	2.62	11.50	2.71	11.97	2.73
	22	9.96	2.41	10.42	2.44	10.87	2.51	11.10	2.51	11.78	2.60	12.24	2.63
10 + 10 + 10 + 07 + 07	46	7.75	3.23	8.20	3.27	8.66	3.32	8.89	3.35	9.57	3.41	10.03	3.46
	43	8.02	3.13	8.48	3.17	8.94	3.22	9.17	3.24	9.85	3.31	10.31	3.36
	40	8.30	3.02	8.76	3.06	9.21	3.12	9.44	3.14	10.12	3.21	10.59	3.25
	35	8.76	2.83	9.21	2.88	9.67	2.92	9.90	2.95	10.58	3.01	11.04	3.06
	32	9.04	2.75	9.49	2.79	9.95	2.85	10.18	2.86	10.86	2.94	11.32	2.97
	25	9.68	2.51	10.14	2.54	10.60	2.61	10.83	2.62	11.50	2.71	11.97	2.73
	22	9.96	2.41	10.42	2.44	10.87	2.51	11.10	2.51	11.78	2.60	12.24	2.63
13 + 10 + 10 + 07 + 07	46	7.75	3.23	8.20	3.27	8.66	3.32	8.89	3.35	9.57	3.41	10.03	3.46
	43	8.02	3.13	8.48	3.17	8.94	3.22	9.17	3.24	9.85	3.31	10.31	3.36
	40	8.30	3.02	8.76	3.06	9.21	3.12	9.44	3.14	10.12	3.21	10.59	3.25
	35	8.76	2.83	9.21	2.88	9.67	2.92	9.90	2.95	10.58	3.01	11.04	3.06
	32	9.04	2.75	9.49	2.79	9.95	2.85	10.18	2.86	10.86	2.94	11.32	2.97
	25	9.68	2.51	10.14	2.54	10.60	2.61	10.83	2.62	11.50	2.71	11.97	2.73
	22	9.96	2.41	10.42	2.44	10.87	2.51	11.10	2.51	11.78	2.60	12.24	2.63
16 + 10 + 10 + 07 + 07	46	7.75	3.23	8.20	3.27	8.66	3.32	8.89	3.35	9.57	3.41	10.03	3.46
	43	8.02	3.13	8.48	3.17	8.94	3.22	9.17	3.24	9.85	3.31	10.31	3.36
	40	8.30	3.02	8.76	3.06	9.21	3.12	9.44	3.14	10.12	3.21	10.59	3.25
	35	8.76	2.83	9.21	2.88	9.67	2.92	9.90	2.95	10.58	3.01	11.04	3.06
	32	9.04	2.75	9.49	2.79	9.95	2.85	10.18	2.86	10.86	2.94	11.32	2.97
	25	9.68	2.51	10.14	2.54	10.60	2.61	10.83	2.62	11.50	2.71	11.97	2.73
	22	9.96	2.41	10.42	2.44	10.87	2.51	11.10	2.51	11.78	2.60	12.24	2.63

Cooling

5 - rooms multisplit : 5 - units operation

Indoor units : 18 type + 10 type + 10 type + 07 type + 07 type 16 type + 16 type + 10 type + 07 type + 07 type
 13 type + 13 type + 10 type + 07 type + 07 type 18 type + 16 type + 10 type + 07 type + 07 type
 16 type + 13 type + 10 type + 07 type + 07 type 13 type + 13 type + 13 type + 07 type + 07 type
 18 type + 13 type + 10 type + 07 type + 07 type 16 type + 13 type + 13 type + 07 type + 07 type

TC : Total capacity [kW]
 PI : Power input [kW]

Outdoor unit : RAS-5M34U2AVG-E

Combination (Capacity)	Outdoor air temp. [°C DB]	Indoor air temp. [°C WB]											
		14		16		18		19		22		24	
		TC [kW]	PI [kW]	TC [kW]	PI [kW]	TC [kW]	PI [kW]	TC [kW]	PI [kW]	TC [kW]	PI [kW]	TC [kW]	PI [kW]
18 + 10 + 10 + 07 + 07	46	7.75	3.23	8.20	3.27	8.66	3.32	8.89	3.35	9.57	3.41	10.03	3.46
	43	8.02	3.13	8.48	3.17	8.94	3.22	9.17	3.24	9.85	3.31	10.31	3.36
	40	8.30	3.02	8.76	3.06	9.21	3.12	9.44	3.14	10.12	3.21	10.59	3.25
	35	8.76	2.83	9.21	2.88	9.67	2.92	9.90	2.95	10.58	3.01	11.04	3.06
	32	9.04	2.75	9.49	2.79	9.95	2.85	10.18	2.86	10.86	2.94	11.32	2.97
	25	9.68	2.51	10.14	2.54	10.60	2.61	10.83	2.62	11.50	2.71	11.97	2.73
	22	9.96	2.41	10.42	2.44	10.87	2.51	11.10	2.51	11.78	2.60	12.24	2.63
13 + 13 + 10 + 07 + 07	46	7.75	3.23	8.20	3.27	8.66	3.32	8.89	3.35	9.57	3.41	10.03	3.46
	43	8.02	3.13	8.48	3.17	8.94	3.22	9.17	3.24	9.85	3.31	10.31	3.36
	40	8.30	3.02	8.76	3.06	9.21	3.12	9.44	3.14	10.12	3.21	10.59	3.25
	35	8.76	2.83	9.21	2.88	9.67	2.92	9.90	2.95	10.58	3.01	11.04	3.06
	32	9.04	2.75	9.49	2.79	9.95	2.85	10.18	2.86	10.86	2.94	11.32	2.97
	25	9.68	2.51	10.14	2.54	10.60	2.61	10.83	2.62	11.50	2.71	11.97	2.73
	22	9.96	2.41	10.42	2.44	10.87	2.51	11.10	2.51	11.78	2.60	12.24	2.63
16 + 13 + 10 + 07 + 07	46	7.75	3.23	8.20	3.27	8.66	3.32	8.89	3.35	9.57	3.41	10.03	3.46
	43	8.02	3.13	8.48	3.17	8.94	3.22	9.17	3.24	9.85	3.31	10.31	3.36
	40	8.30	3.02	8.76	3.06	9.21	3.12	9.44	3.14	10.12	3.21	10.59	3.25
	35	8.76	2.83	9.21	2.88	9.67	2.92	9.90	2.95	10.58	3.01	11.04	3.06
	32	9.04	2.75	9.49	2.79	9.95	2.85	10.18	2.86	10.86	2.94	11.32	2.97
	25	9.68	2.51	10.14	2.54	10.60	2.61	10.83	2.62	11.50	2.71	11.97	2.73
	22	9.96	2.41	10.42	2.44	10.87	2.51	11.10	2.51	11.78	2.60	12.24	2.63
18 + 13 + 10 + 07 + 07	46	7.75	3.23	8.20	3.27	8.66	3.32	8.89	3.35	9.57	3.41	10.03	3.46
	43	8.02	3.13	8.48	3.17	8.94	3.22	9.17	3.24	9.85	3.31	10.31	3.36
	40	8.30	3.02	8.76	3.06	9.21	3.12	9.44	3.14	10.12	3.21	10.59	3.25
	35	8.76	2.83	9.21	2.88	9.67	2.92	9.90	2.95	10.58	3.01	11.04	3.06
	32	9.04	2.75	9.49	2.79	9.95	2.85	10.18	2.86	10.86	2.94	11.32	2.97
	25	9.68	2.51	10.14	2.54	10.60	2.61	10.83	2.62	11.50	2.71	11.97	2.73
	22	9.96	2.41	10.42	2.44	10.87	2.51	11.10	2.51	11.78	2.60	12.24	2.63
16 + 16 + 10 + 07 + 07	46	7.75	3.23	8.20	3.27	8.66	3.32	8.89	3.35	9.57	3.41	10.03	3.46
	43	8.02	3.13	8.48	3.17	8.94	3.22	9.17	3.24	9.85	3.31	10.31	3.36
	40	8.30	3.02	8.76	3.06	9.21	3.12	9.44	3.14	10.12	3.21	10.59	3.25
	35	8.76	2.83	9.21	2.88	9.67	2.92	9.90	2.95	10.58	3.01	11.04	3.06
	32	9.04	2.75	9.49	2.79	9.95	2.85	10.18	2.86	10.86	2.94	11.32	2.97
	25	9.68	2.51	10.14	2.54	10.60	2.61	10.83	2.62	11.50	2.71	11.97	2.73
	22	9.96	2.41	10.42	2.44	10.87	2.51	11.10	2.51	11.78	2.60	12.24	2.63
18 + 16 + 10 + 07 + 07	46	7.75	3.23	8.20	3.27	8.66	3.32	8.89	3.35	9.57	3.41	10.03	3.46
	43	8.02	3.13	8.48	3.17	8.94	3.22	9.17	3.24	9.85	3.31	10.31	3.36
	40	8.30	3.02	8.76	3.06	9.21	3.12	9.44	3.14	10.12	3.21	10.59	3.25
	35	8.76	2.83	9.21	2.88	9.67	2.92	9.90	2.95	10.58	3.01	11.04	3.06
	32	9.04	2.75	9.49	2.79	9.95	2.85	10.18	2.86	10.86	2.94	11.32	2.97
	25	9.68	2.51	10.14	2.54	10.60	2.61	10.83	2.62	11.50	2.71	11.97	2.73
	22	9.96	2.41	10.42	2.44	10.87	2.51	11.10	2.51	11.78	2.60	12.24	2.63
13 + 13 + 13 + 07 + 07	46	7.75	3.23	8.20	3.27	8.66	3.32	8.89	3.35	9.57	3.41	10.03	3.46
	43	8.02	3.13	8.48	3.17	8.94	3.22	9.17	3.24	9.85	3.31	10.31	3.36
	40	8.30	3.02	8.76	3.06	9.21	3.12	9.44	3.14	10.12	3.21	10.59	3.25
	35	8.76	2.83	9.21	2.88	9.67	2.92	9.90	2.95	10.58	3.01	11.04	3.06
	32	9.04	2.75	9.49	2.79	9.95	2.85	10.18	2.86	10.86	2.94	11.32	2.97
	25	9.68	2.51	10.14	2.54	10.60	2.61	10.83	2.62	11.50	2.71	11.97	2.73
	22	9.96	2.41	10.42	2.44	10.87	2.51	11.10	2.51	11.78	2.60	12.24	2.63
16 + 13 + 13 + 07 + 07	46	7.75	3.23	8.20	3.27	8.66	3.32	8.89	3.35	9.57	3.41	10.03	3.46
	43	8.02	3.13	8.48	3.17	8.94	3.22	9.17	3.24	9.85	3.31	10.31	3.36
	40	8.30	3.02	8.76	3.06	9.21	3.12	9.44	3.14	10.12	3.21	10.59	3.25
	35	8.76	2.83	9.21	2.88	9.67	2.92	9.90	2.95	10.58	3.01	11.04	3.06
	32	9.04	2.75	9.49	2.79	9.95	2.85	10.18	2.86	10.86	2.94	11.32	2.97
	25	9.68	2.51	10.14	2.54	10.60	2.61	10.83	2.62	11.50	2.71	11.97	2.73
	22	9.96	2.41	10.42	2.44	10.87	2.51	11.10	2.51	11.78	2.60	12.24	2.63

Cooling

5 - rooms multisplit : 5 - units operation

Indoor units : 18 type + 13 type + 13 type + 07 type + 07 type 13 type + 10 type + 10 type + 10 type + 07 type
 16 type + 16 type + 13 type + 07 type + 07 type 16 type + 10 type + 10 type + 10 type + 07 type
 18 type + 16 type + 10 type + 10 type + 07 type 18 type + 10 type + 10 type + 10 type + 07 type
 10 type + 10 type + 10 type + 10 type + 07 type 13 type + 13 type + 10 type + 10 type + 07 type

TC : Total capacity [kW]
 PI : Power input [kW]

Outdoor unit : RAS-5M34U2AVG-E

Combination (Capacity)	Outdoor air temp. [°C DB]	Indoor air temp. [°C WB]											
		14		16		18		19		22		24	
		TC [kW]	PI [kW]	TC [kW]	PI [kW]	TC [kW]	PI [kW]	TC [kW]	PI [kW]	TC [kW]	PI [kW]	TC [kW]	PI [kW]
18 + 13 + 13 + 07 + 07	46	7.75	3.23	8.20	3.27	8.66	3.32	8.89	3.35	9.57	3.41	10.03	3.46
	43	8.02	3.13	8.48	3.17	8.94	3.22	9.17	3.24	9.85	3.31	10.31	3.36
	40	8.30	3.02	8.76	3.06	9.21	3.12	9.44	3.14	10.12	3.21	10.59	3.25
	35	8.76	2.83	9.21	2.88	9.67	2.92	9.90	2.95	10.58	3.01	11.04	3.06
	32	9.04	2.75	9.49	2.79	9.95	2.85	10.18	2.86	10.86	2.94	11.32	2.97
	25	9.68	2.51	10.14	2.54	10.60	2.61	10.83	2.62	11.50	2.71	11.97	2.73
	22	9.96	2.41	10.42	2.44	10.87	2.51	11.10	2.51	11.78	2.60	12.24	2.63
16 + 16 + 13 + 07 + 07	46	7.75	3.23	8.20	3.27	8.66	3.32	8.89	3.35	9.57	3.41	10.03	3.46
	43	8.02	3.13	8.48	3.17	8.94	3.22	9.17	3.24	9.85	3.31	10.31	3.36
	40	8.30	3.02	8.76	3.06	9.21	3.12	9.44	3.14	10.12	3.21	10.59	3.25
	35	8.76	2.83	9.21	2.88	9.67	2.92	9.90	2.95	10.58	3.01	11.04	3.06
	32	9.04	2.75	9.49	2.79	9.95	2.85	10.18	2.86	10.86	2.94	11.32	2.97
	25	9.68	2.51	10.14	2.54	10.60	2.61	10.83	2.62	11.50	2.71	11.97	2.73
	22	9.96	2.41	10.42	2.44	10.87	2.51	11.10	2.51	11.78	2.60	12.24	2.63
18 + 16 + 13 + 07 + 07	46	7.75	3.23	8.20	3.27	8.66	3.32	8.89	3.35	9.57	3.41	10.03	3.46
	43	8.02	3.13	8.48	3.17	8.94	3.22	9.17	3.24	9.85	3.31	10.31	3.36
	40	8.30	3.02	8.76	3.06	9.21	3.12	9.44	3.14	10.12	3.21	10.59	3.25
	35	8.76	2.83	9.21	2.88	9.67	2.92	9.90	2.95	10.58	3.01	11.04	3.06
	32	9.04	2.75	9.49	2.79	9.95	2.85	10.18	2.86	10.86	2.94	11.32	2.97
	25	9.68	2.51	10.14	2.54	10.60	2.61	10.83	2.62	11.50	2.71	11.97	2.73
	22	9.96	2.41	10.42	2.44	10.87	2.51	11.10	2.51	11.78	2.60	12.24	2.63
10 + 10 + 10 + 10 + 07	46	7.75	3.23	8.20	3.27	8.66	3.32	8.89	3.35	9.57	3.41	10.03	3.46
	43	8.02	3.13	8.48	3.17	8.94	3.22	9.17	3.24	9.85	3.31	10.31	3.36
	40	8.30	3.02	8.76	3.06	9.21	3.12	9.44	3.14	10.12	3.21	10.59	3.25
	35	8.76	2.83	9.21	2.88	9.67	2.92	9.90	2.95	10.58	3.01	11.04	3.06
	32	9.04	2.75	9.49	2.79	9.95	2.85	10.18	2.86	10.86	2.94	11.32	2.97
	25	9.68	2.51	10.14	2.54	10.60	2.61	10.83	2.62	11.50	2.71	11.97	2.73
	22	9.96	2.41	10.42	2.44	10.87	2.51	11.10	2.51	11.78	2.60	12.24	2.63
13 + 10 + 10 + 10 + 07	46	7.75	3.23	8.20	3.27	8.66	3.32	8.89	3.35	9.57	3.41	10.03	3.46
	43	8.02	3.13	8.48	3.17	8.94	3.22	9.17	3.24	9.85	3.31	10.31	3.36
	40	8.30	3.02	8.76	3.06	9.21	3.12	9.44	3.14	10.12	3.21	10.59	3.25
	35	8.76	2.83	9.21	2.88	9.67	2.92	9.90	2.95	10.58	3.01	11.04	3.06
	32	9.04	2.75	9.49	2.79	9.95	2.85	10.18	2.86	10.86	2.94	11.32	2.97
	25	9.68	2.51	10.14	2.54	10.60	2.61	10.83	2.62	11.50	2.71	11.97	2.73
	22	9.96	2.41	10.42	2.44	10.87	2.51	11.10	2.51	11.78	2.60	12.24	2.63
16 + 10 + 10 + 10 + 07	46	7.75	3.23	8.20	3.27	8.66	3.32	8.89	3.35	9.57	3.41	10.03	3.46
	43	8.02	3.13	8.48	3.17	8.94	3.22	9.17	3.24	9.85	3.31	10.31	3.36
	40	8.30	3.02	8.76	3.06	9.21	3.12	9.44	3.14	10.12	3.21	10.59	3.25
	35	8.76	2.83	9.21	2.88	9.67	2.92	9.90	2.95	10.58	3.01	11.04	3.06
	32	9.04	2.75	9.49	2.79	9.95	2.85	10.18	2.86	10.86	2.94	11.32	2.97
	25	9.68	2.51	10.14	2.54	10.60	2.61	10.83	2.62	11.50	2.71	11.97	2.73
	22	9.96	2.41	10.42	2.44	10.87	2.51	11.10	2.51	11.78	2.60	12.24	2.63
18 + 10 + 10 + 10 + 07	46	7.75	3.23	8.20	3.27	8.66	3.32	8.89	3.35	9.57	3.41	10.03	3.46
	43	8.02	3.13	8.48	3.17	8.94	3.22	9.17	3.24	9.85	3.31	10.31	3.36
	40	8.30	3.02	8.76	3.06	9.21	3.12	9.44	3.14	10.12	3.21	10.59	3.25
	35	8.76	2.83	9.21	2.88	9.67	2.92	9.90	2.95	10.58	3.01	11.04	3.06
	32	9.04	2.75	9.49	2.79	9.95	2.85	10.18	2.86	10.86	2.94	11.32	2.97
	25	9.68	2.51	10.14	2.54	10.60	2.61	10.83	2.62	11.50	2.71	11.97	2.73
	22	9.96	2.41	10.42	2.44	10.87	2.51	11.10	2.51	11.78	2.60	12.24	2.63
13 + 13 + 10 + 10 + 07	46	7.75	3.23	8.20	3.27	8.66	3.32	8.89	3.35	9.57	3.41	10.03	3.46
	43	8.02	3.13	8.48	3.17	8.94	3.22	9.17	3.24	9.85	3.31	10.31	3.36
	40	8.30	3.02	8.76	3.06	9.21	3.12	9.44	3.14	10.12	3.21	10.59	3.25
	35	8.76	2.83	9.21	2.88	9.67	2.92	9.90	2.95	10.58	3.01	11.04	3.06
	32	9.04	2.75	9.49	2.79	9.95	2.85	10.18	2.86	10.86	2.94	11.32	2.97
	25	9.68	2.51	10.14	2.54	10.60	2.61	10.83	2.62	11.50	2.71	11.97	2.73
	22	9.96	2.41	10.42	2.44	10.87	2.51	11.10	2.51	11.78	2.60	12.24	2.63

Cooling

5 - rooms multisplit : 5 - units operation

Indoor units : 16 type + 13 type + 10 type + 10 type + 07 type 16 type + 13 type + 13 type + 10 type + 07 type
 18 type + 13 type + 10 type + 10 type + 07 type 18 type + 13 type + 13 type + 10 type + 07 type
 16 type + 16 type + 10 type + 10 type + 07 type 16 type + 16 type + 13 type + 10 type + 07 type
 13 type + 13 type + 13 type + 10 type + 07 type 13 type + 13 type + 13 type + 13 type + 07 type

TC : Total capacity [kW]
 PI : Power input [kW]

Outdoor unit : RAS-5M34U2AVG-E

Combination (Capacity)	Outdoor air temp. [°C DB]	Indoor air temp. [°C WB]											
		14		16		18		19		22		24	
		TC [kW]	PI [kW]	TC [kW]	PI [kW]	TC [kW]	PI [kW]	TC [kW]	PI [kW]	TC [kW]	PI [kW]	TC [kW]	PI [kW]
16 + 13 + 10 + 10 + 07	46	7.75	3.23	8.20	3.27	8.66	3.32	8.89	3.35	9.57	3.41	10.03	3.46
	43	8.02	3.13	8.48	3.17	8.94	3.22	9.17	3.24	9.85	3.31	10.31	3.36
	40	8.30	3.02	8.76	3.06	9.21	3.12	9.44	3.14	10.12	3.21	10.59	3.25
	35	8.76	2.83	9.21	2.88	9.67	2.92	9.90	2.95	10.58	3.01	11.04	3.06
	32	9.04	2.75	9.49	2.79	9.95	2.85	10.18	2.86	10.86	2.94	11.32	2.97
	25	9.68	2.51	10.14	2.54	10.60	2.61	10.83	2.62	11.50	2.71	11.97	2.73
	22	9.96	2.41	10.42	2.44	10.87	2.51	11.10	2.51	11.78	2.60	12.24	2.63
18 + 13 + 10 + 10 + 07	46	7.75	3.23	8.20	3.27	8.66	3.32	8.89	3.35	9.57	3.41	10.03	3.46
	43	8.02	3.13	8.48	3.17	8.94	3.22	9.17	3.24	9.85	3.31	10.31	3.36
	40	8.30	3.02	8.76	3.06	9.21	3.12	9.44	3.14	10.12	3.21	10.59	3.25
	35	8.76	2.83	9.21	2.88	9.67	2.92	9.90	2.95	10.58	3.01	11.04	3.06
	32	9.04	2.75	9.49	2.79	9.95	2.85	10.18	2.86	10.86	2.94	11.32	2.97
	25	9.68	2.51	10.14	2.54	10.60	2.61	10.83	2.62	11.50	2.71	11.97	2.73
	22	9.96	2.41	10.42	2.44	10.87	2.51	11.10	2.51	11.78	2.60	12.24	2.63
16 + 16 + 10 + 10 + 07	46	7.75	3.23	8.20	3.27	8.66	3.32	8.89	3.35	9.57	3.41	10.03	3.46
	43	8.02	3.13	8.48	3.17	8.94	3.22	9.17	3.24	9.85	3.31	10.31	3.36
	40	8.30	3.02	8.76	3.06	9.21	3.12	9.44	3.14	10.12	3.21	10.59	3.25
	35	8.76	2.83	9.21	2.88	9.67	2.92	9.90	2.95	10.58	3.01	11.04	3.06
	32	9.04	2.75	9.49	2.79	9.95	2.85	10.18	2.86	10.86	2.94	11.32	2.97
	25	9.68	2.51	10.14	2.54	10.60	2.61	10.83	2.62	11.50	2.71	11.97	2.73
	22	9.96	2.41	10.42	2.44	10.87	2.51	11.10	2.51	11.78	2.60	12.24	2.63
13 + 13 + 13 + 10 + 07	46	7.75	3.23	8.20	3.27	8.66	3.32	8.89	3.35	9.57	3.41	10.03	3.46
	43	8.02	3.13	8.48	3.17	8.94	3.22	9.17	3.24	9.85	3.31	10.31	3.36
	40	8.30	3.02	8.76	3.06	9.21	3.12	9.44	3.14	10.12	3.21	10.59	3.25
	35	8.76	2.83	9.21	2.88	9.67	2.92	9.90	2.95	10.58	3.01	11.04	3.06
	32	9.04	2.75	9.49	2.79	9.95	2.85	10.18	2.86	10.86	2.94	11.32	2.97
	25	9.68	2.51	10.14	2.54	10.60	2.61	10.83	2.62	11.50	2.71	11.97	2.73
	22	9.96	2.41	10.42	2.44	10.87	2.51	11.10	2.51	11.78	2.60	12.24	2.63
16 + 13 + 13 + 10 + 07	46	7.75	3.23	8.20	3.27	8.66	3.32	8.89	3.35	9.57	3.41	10.03	3.46
	43	8.02	3.13	8.48	3.17	8.94	3.22	9.17	3.24	9.85	3.31	10.31	3.36
	40	8.30	3.02	8.76	3.06	9.21	3.12	9.44	3.14	10.12	3.21	10.59	3.25
	35	8.76	2.83	9.21	2.88	9.67	2.92	9.90	2.95	10.58	3.01	11.04	3.06
	32	9.04	2.75	9.49	2.79	9.95	2.85	10.18	2.86	10.86	2.94	11.32	2.97
	25	9.68	2.51	10.14	2.54	10.60	2.61	10.83	2.62	11.50	2.71	11.97	2.73
	22	9.96	2.41	10.42	2.44	10.87	2.51	11.10	2.51	11.78	2.60	12.24	2.63
18 + 13 + 13 + 10 + 07	46	7.75	3.23	8.20	3.27	8.66	3.32	8.89	3.35	9.57	3.41	10.03	3.46
	43	8.02	3.13	8.48	3.17	8.94	3.22	9.17	3.24	9.85	3.31	10.31	3.36
	40	8.30	3.02	8.76	3.06	9.21	3.12	9.44	3.14	10.12	3.21	10.59	3.25
	35	8.76	2.83	9.21	2.88	9.67	2.92	9.90	2.95	10.58	3.01	11.04	3.06
	32	9.04	2.75	9.49	2.79	9.95	2.85	10.18	2.86	10.86	2.94	11.32	2.97
	25	9.68	2.51	10.14	2.54	10.60	2.61	10.83	2.62	11.50	2.71	11.97	2.73
	22	9.96	2.41	10.42	2.44	10.87	2.51	11.10	2.51	11.78	2.60	12.24	2.63
16 + 16 + 13 + 10 + 07	46	7.75	3.23	8.20	3.27	8.66	3.32	8.89	3.35	9.57	3.41	10.03	3.46
	43	8.02	3.13	8.48	3.17	8.94	3.22	9.17	3.24	9.85	3.31	10.31	3.36
	40	8.30	3.02	8.76	3.06	9.21	3.12	9.44	3.14	10.12	3.21	10.59	3.25
	35	8.76	2.83	9.21	2.88	9.67	2.92	9.90	2.95	10.58	3.01	11.04	3.06
	32	9.04	2.75	9.49	2.79	9.95	2.85	10.18	2.86	10.86	2.94	11.32	2.97
	25	9.68	2.51	10.14	2.54	10.60	2.61	10.83	2.62	11.50	2.71	11.97	2.73
	22	9.96	2.41	10.42	2.44	10.87	2.51	11.10	2.51	11.78	2.60	12.24	2.63
13 + 13 + 13 + 13 + 07	46	7.75	3.23	8.20	3.27	8.66	3.32	8.89	3.35	9.57	3.41	10.03	3.46
	43	8.02	3.13	8.48	3.17	8.94	3.22	9.17	3.24	9.85	3.31	10.31	3.36
	40	8.30	3.02	8.76	3.06	9.21	3.12	9.44	3.14	10.12	3.21	10.59	3.25
	35	8.76	2.83	9.21	2.88	9.67	2.92	9.90	2.95	10.58	3.01	11.04	3.06
	32	9.04	2.75	9.49	2.79	9.95	2.85	10.18	2.86	10.86	2.94	11.32	2.97
	25	9.68	2.51	10.14	2.54	10.60	2.61	10.83	2.62	11.50	2.71	11.97	2.73
	22	9.96	2.41	10.42	2.44	10.87	2.51	11.10	2.51	11.78	2.60	12.24	2.63

Cooling

5 - rooms multisplit : 5 - units operation

Indoor units : 16 type + 13 type + 13 type + 13 type + 07 type 13 type + 10 type + 10 type + 10 type + 10 type
 18 type + 13 type + 13 type + 13 type + 07 type 16 type + 10 type + 10 type + 10 type + 10 type
 16 type + 16 type + 13 type + 13 type + 07 type 18 type + 10 type + 10 type + 10 type + 10 type
 10 type + 10 type + 10 type + 10 type + 10 type 13 type + 13 type + 10 type + 10 type + 10 type

TC : Total capacity [kW]
 PI : Power input [kW]

Outdoor unit : RAS-5M34U2AVG-E

Combination (Capacity)	Outdoor air temp. [°C DB]	Indoor air temp. [°C WB]											
		14		16		18		19		22		24	
		TC [kW]	PI [kW]	TC [kW]	PI [kW]	TC [kW]	PI [kW]	TC [kW]	PI [kW]	TC [kW]	PI [kW]	TC [kW]	PI [kW]
16 + 13 + 13 + 13 + 07	46	7.75	3.23	8.20	3.27	8.66	3.32	8.89	3.35	9.57	3.41	10.03	3.46
	43	8.02	3.13	8.48	3.17	8.94	3.22	9.17	3.24	9.85	3.31	10.31	3.36
	40	8.30	3.02	8.76	3.06	9.21	3.12	9.44	3.14	10.12	3.21	10.59	3.25
	35	8.76	2.83	9.21	2.88	9.67	2.92	9.90	2.95	10.58	3.01	11.04	3.06
	32	9.04	2.75	9.49	2.79	9.95	2.85	10.18	2.86	10.86	2.94	11.32	2.97
	25	9.68	2.51	10.14	2.54	10.60	2.61	10.83	2.62	11.50	2.71	11.97	2.73
	22	9.96	2.41	10.42	2.44	10.87	2.51	11.10	2.51	11.78	2.60	12.24	2.63
18 + 13 + 13 + 13 + 07	46	7.75	3.23	8.20	3.27	8.66	3.32	8.89	3.35	9.57	3.41	10.03	3.46
	43	8.02	3.13	8.48	3.17	8.94	3.22	9.17	3.24	9.85	3.31	10.31	3.36
	40	8.30	3.02	8.76	3.06	9.21	3.12	9.44	3.14	10.12	3.21	10.59	3.25
	35	8.76	2.83	9.21	2.88	9.67	2.92	9.90	2.95	10.58	3.01	11.04	3.06
	32	9.04	2.75	9.49	2.79	9.95	2.85	10.18	2.86	10.86	2.94	11.32	2.97
	25	9.68	2.51	10.14	2.54	10.60	2.61	10.83	2.62	11.50	2.71	11.97	2.73
	22	9.96	2.41	10.42	2.44	10.87	2.51	11.10	2.51	11.78	2.60	12.24	2.63
16 + 16 + 13 + 13 + 07	46	7.75	3.23	8.20	3.27	8.66	3.32	8.89	3.35	9.57	3.41	10.03	3.46
	43	8.02	3.13	8.48	3.17	8.94	3.22	9.17	3.24	9.85	3.31	10.31	3.36
	40	8.30	3.02	8.76	3.06	9.21	3.12	9.44	3.14	10.12	3.21	10.59	3.25
	35	8.76	2.83	9.21	2.88	9.67	2.92	9.90	2.95	10.58	3.01	11.04	3.06
	32	9.04	2.75	9.49	2.79	9.95	2.85	10.18	2.86	10.86	2.94	11.32	2.97
	25	9.68	2.51	10.14	2.54	10.60	2.61	10.83	2.62	11.50	2.71	11.97	2.73
	22	9.96	2.41	10.42	2.44	10.87	2.51	11.10	2.51	11.78	2.60	12.24	2.63
10 + 10 + 10 + 10 + 10	46	7.75	3.23	8.20	3.27	8.66	3.32	8.89	3.35	9.57	3.41	10.03	3.46
	43	8.02	3.13	8.48	3.17	8.94	3.22	9.17	3.24	9.85	3.31	10.31	3.36
	40	8.30	3.02	8.76	3.06	9.21	3.12	9.44	3.14	10.12	3.21	10.59	3.25
	35	8.76	2.83	9.21	2.88	9.67	2.92	9.90	2.95	10.58	3.01	11.04	3.06
	32	9.04	2.75	9.49	2.79	9.95	2.85	10.18	2.86	10.86	2.94	11.32	2.97
	25	9.68	2.51	10.14	2.54	10.60	2.61	10.83	2.62	11.50	2.71	11.97	2.73
	22	9.96	2.41	10.42	2.44	10.87	2.51	11.10	2.51	11.78	2.60	12.24	2.63
13 + 10 + 10 + 10 + 10	46	7.75	3.23	8.20	3.27	8.66	3.32	8.89	3.35	9.57	3.41	10.03	3.46
	43	8.02	3.13	8.48	3.17	8.94	3.22	9.17	3.24	9.85	3.31	10.31	3.36
	40	8.30	3.02	8.76	3.06	9.21	3.12	9.44	3.14	10.12	3.21	10.59	3.25
	35	8.76	2.83	9.21	2.88	9.67	2.92	9.90	2.95	10.58	3.01	11.04	3.06
	32	9.04	2.75	9.49	2.79	9.95	2.85	10.18	2.86	10.86	2.94	11.32	2.97
	25	9.68	2.51	10.14	2.54	10.60	2.61	10.83	2.62	11.50	2.71	11.97	2.73
	22	9.96	2.41	10.42	2.44	10.87	2.51	11.10	2.51	11.78	2.60	12.24	2.63
16 + 10 + 10 + 10 + 10	46	7.75	3.23	8.20	3.27	8.66	3.32	8.89	3.35	9.57	3.41	10.03	3.46
	43	8.02	3.13	8.48	3.17	8.94	3.22	9.17	3.24	9.85	3.31	10.31	3.36
	40	8.30	3.02	8.76	3.06	9.21	3.12	9.44	3.14	10.12	3.21	10.59	3.25
	35	8.76	2.83	9.21	2.88	9.67	2.92	9.90	2.95	10.58	3.01	11.04	3.06
	32	9.04	2.75	9.49	2.79	9.95	2.85	10.18	2.86	10.86	2.94	11.32	2.97
	25	9.68	2.51	10.14	2.54	10.60	2.61	10.83	2.62	11.50	2.71	11.97	2.73
	22	9.96	2.41	10.42	2.44	10.87	2.51	11.10	2.51	11.78	2.60	12.24	2.63
18 + 10 + 10 + 10 + 10	46	7.75	3.23	8.20	3.27	8.66	3.32	8.89	3.35	9.57	3.41	10.03	3.46
	43	8.02	3.13	8.48	3.17	8.94	3.22	9.17	3.24	9.85	3.31	10.31	3.36
	40	8.30	3.02	8.76	3.06	9.21	3.12	9.44	3.14	10.12	3.21	10.59	3.25
	35	8.76	2.83	9.21	2.88	9.67	2.92	9.90	2.95	10.58	3.01	11.04	3.06
	32	9.04	2.75	9.49	2.79	9.95	2.85	10.18	2.86	10.86	2.94	11.32	2.97
	25	9.68	2.51	10.14	2.54	10.60	2.61	10.83	2.62	11.50	2.71	11.97	2.73
	22	9.96	2.41	10.42	2.44	10.87	2.51	11.10	2.51	11.78	2.60	12.24	2.63
13 + 13 + 10 + 10 + 10	46	7.75	3.23	8.20	3.27	8.66	3.32	8.89	3.35	9.57	3.41	10.03	3.46
	43	8.02	3.13	8.48	3.17	8.94	3.22	9.17	3.24	9.85	3.31	10.31	3.36
	40	8.30	3.02	8.76	3.06	9.21	3.12	9.44	3.14	10.12	3.21	10.59	3.25
	35	8.76	2.83	9.21	2.88	9.67	2.92	9.90	2.95	10.58	3.01	11.04	3.06
	32	9.04	2.75	9.49	2.79	9.95	2.85	10.18	2.86	10.86	2.94	11.32	2.97
	25	9.68	2.51	10.14	2.54	10.60	2.61	10.83	2.62	11.50	2.71	11.97	2.73
	22	9.96	2.41	10.42	2.44	10.87	2.51	11.10	2.51	11.78	2.60	12.24	2.63

Cooling

5 - rooms multisplit : 5 - units operation

Indoor units : 16 type + 13 type + 10 type + 10 type + 10 type 16 type + 13 type + 13 type + 10 type + 10 type
 18 type + 13 type + 10 type + 10 type + 10 type 18 type + 13 type + 13 type + 10 type + 10 type
 16 type + 16 type + 10 type + 10 type + 10 type 16 type + 16 type + 13 type + 10 type + 10 type
 13 type + 13 type + 13 type + 10 type + 10 type 13 type + 13 type + 13 type + 13 type + 10 type

TC : Total capacity [kW]
 PI : Power input [kW]

Outdoor unit : RAS-5M34U2AVG-E

Combination (Capacity)	Outdoor air temp. [°C DB]	Indoor air temp. [°C WB]											
		14		16		18		19		22		24	
		TC [kW]	PI [kW]	TC [kW]	PI [kW]	TC [kW]	PI [kW]	TC [kW]	PI [kW]	TC [kW]	PI [kW]	TC [kW]	PI [kW]
16 + 13 + 10 + 10 + 10	46	7.75	3.23	8.20	3.27	8.66	3.32	8.89	3.35	9.57	3.41	10.03	3.46
	43	8.02	3.13	8.48	3.17	8.94	3.22	9.17	3.24	9.85	3.31	10.31	3.36
	40	8.30	3.02	8.76	3.06	9.21	3.12	9.44	3.14	10.12	3.21	10.59	3.25
	35	8.76	2.83	9.21	2.88	9.67	2.92	9.90	2.95	10.58	3.01	11.04	3.06
	32	9.04	2.75	9.49	2.79	9.95	2.85	10.18	2.86	10.86	2.94	11.32	2.97
	25	9.68	2.51	10.14	2.54	10.60	2.61	10.83	2.62	11.50	2.71	11.97	2.73
	22	9.96	2.41	10.42	2.44	10.87	2.51	11.10	2.51	11.78	2.60	12.24	2.63
18 + 13 + 10 + 10 + 10	46	7.75	3.23	8.20	3.27	8.66	3.32	8.89	3.35	9.57	3.41	10.03	3.46
	43	8.02	3.13	8.48	3.17	8.94	3.22	9.17	3.24	9.85	3.31	10.31	3.36
	40	8.30	3.02	8.76	3.06	9.21	3.12	9.44	3.14	10.12	3.21	10.59	3.25
	35	8.76	2.83	9.21	2.88	9.67	2.92	9.90	2.95	10.58	3.01	11.04	3.06
	32	9.04	2.75	9.49	2.79	9.95	2.85	10.18	2.86	10.86	2.94	11.32	2.97
	25	9.68	2.51	10.14	2.54	10.60	2.61	10.83	2.62	11.50	2.71	11.97	2.73
	22	9.96	2.41	10.42	2.44	10.87	2.51	11.10	2.51	11.78	2.60	12.24	2.63
16 + 16 + 10 + 10 + 10	46	7.75	3.23	8.20	3.27	8.66	3.32	8.89	3.35	9.57	3.41	10.03	3.46
	43	8.02	3.13	8.48	3.17	8.94	3.22	9.17	3.24	9.85	3.31	10.31	3.36
	40	8.30	3.02	8.76	3.06	9.21	3.12	9.44	3.14	10.12	3.21	10.59	3.25
	35	8.76	2.83	9.21	2.88	9.67	2.92	9.90	2.95	10.58	3.01	11.04	3.06
	32	9.04	2.75	9.49	2.79	9.95	2.85	10.18	2.86	10.86	2.94	11.32	2.97
	25	9.68	2.51	10.14	2.54	10.60	2.61	10.83	2.62	11.50	2.71	11.97	2.73
	22	9.96	2.41	10.42	2.44	10.87	2.51	11.10	2.51	11.78	2.60	12.24	2.63
13 + 13 + 13 + 10 + 10	46	7.75	3.23	8.20	3.27	8.66	3.32	8.89	3.35	9.57	3.41	10.03	3.46
	43	8.02	3.13	8.48	3.17	8.94	3.22	9.17	3.24	9.85	3.31	10.31	3.36
	40	8.30	3.02	8.76	3.06	9.21	3.12	9.44	3.14	10.12	3.21	10.59	3.25
	35	8.76	2.83	9.21	2.88	9.67	2.92	9.90	2.95	10.58	3.01	11.04	3.06
	32	9.04	2.75	9.49	2.79	9.95	2.85	10.18	2.86	10.86	2.94	11.32	2.97
	25	9.68	2.51	10.14	2.54	10.60	2.61	10.83	2.62	11.50	2.71	11.97	2.73
	22	9.96	2.41	10.42	2.44	10.87	2.51	11.10	2.51	11.78	2.60	12.24	2.63
16 + 13 + 13 + 10 + 10	46	7.75	3.23	8.20	3.27	8.66	3.32	8.89	3.35	9.57	3.41	10.03	3.46
	43	8.02	3.13	8.48	3.17	8.94	3.22	9.17	3.24	9.85	3.31	10.31	3.36
	40	8.30	3.02	8.76	3.06	9.21	3.12	9.44	3.14	10.12	3.21	10.59	3.25
	35	8.76	2.83	9.21	2.88	9.67	2.92	9.90	2.95	10.58	3.01	11.04	3.06
	32	9.04	2.75	9.49	2.79	9.95	2.85	10.18	2.86	10.86	2.94	11.32	2.97
	25	9.68	2.51	10.14	2.54	10.60	2.61	10.83	2.62	11.50	2.71	11.97	2.73
	22	9.96	2.41	10.42	2.44	10.87	2.51	11.10	2.51	11.78	2.60	12.24	2.63
18 + 13 + 13 + 10 + 10	46	7.75	3.23	8.20	3.27	8.66	3.32	8.89	3.35	9.57	3.41	10.03	3.46
	43	8.02	3.13	8.48	3.17	8.94	3.22	9.17	3.24	9.85	3.31	10.31	3.36
	40	8.30	3.02	8.76	3.06	9.21	3.12	9.44	3.14	10.12	3.21	10.59	3.25
	35	8.76	2.83	9.21	2.88	9.67	2.92	9.90	2.95	10.58	3.01	11.04	3.06
	32	9.04	2.75	9.49	2.79	9.95	2.85	10.18	2.86	10.86	2.94	11.32	2.97
	25	9.68	2.51	10.14	2.54	10.60	2.61	10.83	2.62	11.50	2.71	11.97	2.73
	22	9.96	2.41	10.42	2.44	10.87	2.51	11.10	2.51	11.78	2.60	12.24	2.63
16 + 16 + 13 + 10 + 10	46	7.82	3.26	8.29	3.31	8.75	3.36	8.98	3.39	9.67	3.45	10.13	3.50
	43	8.10	3.16	8.57	3.21	9.03	3.25	9.26	3.28	9.95	3.35	10.41	3.40
	40	8.38	3.06	8.84	3.10	9.31	3.15	9.54	3.18	10.23	3.25	10.69	3.29
	35	8.84	2.86	9.31	2.91	9.77	2.96	10.00	2.98	10.69	3.05	11.15	3.10
	32	9.13	2.78	9.59	2.82	10.05	2.88	10.28	2.89	10.97	2.97	11.44	3.01
	25	9.78	2.54	10.24	2.57	10.70	2.64	10.94	2.65	11.62	2.74	12.09	2.76
	22	10.06	2.44	10.52	2.46	10.98	2.54	11.22	2.54	11.90	2.63	12.37	2.66
13 + 13 + 13 + 13 + 10	46	7.75	3.23	8.20	3.27	8.66	3.32	8.89	3.35	9.57	3.41	10.03	3.46
	43	8.02	3.13	8.48	3.17	8.94	3.22	9.17	3.24	9.85	3.31	10.31	3.36
	40	8.30	3.02	8.76	3.06	9.21	3.12	9.44	3.14	10.12	3.21	10.59	3.25
	35	8.76	2.83	9.21	2.88	9.67	2.92	9.90	2.95	10.58	3.01	11.04	3.06
	32	9.04	2.75	9.49	2.79	9.95	2.85	10.18	2.86	10.86	2.94	11.32	2.97
	25	9.68	2.51	10.14	2.54	10.60	2.61	10.83	2.62	11.50	2.71	11.97	2.73
	22	9.96	2.41	10.42	2.44	10.87	2.51	11.10	2.51	11.78	2.60	12.24	2.63

Cooling

5 - rooms multisplit : 5 - units operation

Indoor units : 16 type + 13 type + 13 type + 13 type + 10 type 16 type + 13 type + 13 type + 13 type + 13 type
 18 type + 13 type + 13 type + 13 type + 10 type 22 type + 05* type + 05* type + 05* type + 05* type
 16 type + 16 type + 13 type + 13 type + 10 type 24 type + 05* type + 05* type + 05* type + 05* type
 13 type + 13 type + 13 type + 13 type + 13 type 22 type + 07* type + 05* type + 05* type + 05* type

TC : Total capacity [kW]

PI : Power input [kW]

Outdoor unit : RAS-5M34U2AVG-E *Applicable indoor unit types are "PKV" series and "BKV" series only.

Combination (Capacity)	Outdoor air temp. [°C DB]	Indoor air temp. [°C WB]											
		14		16		18		19		22		24	
		TC [kW]	PI [kW]	TC [kW]	PI [kW]	TC [kW]	PI [kW]	TC [kW]	PI [kW]	TC [kW]	PI [kW]	TC [kW]	PI [kW]
16 + 13 + 13 + 13 + 10	46	7.82	3.26	8.29	3.31	8.75	3.36	8.98	3.39	9.67	3.45	10.13	3.50
	43	8.10	3.16	8.57	3.21	9.03	3.25	9.26	3.28	9.95	3.35	10.41	3.40
	40	8.38	3.06	8.84	3.10	9.31	3.15	9.54	3.18	10.23	3.25	10.69	3.29
	35	8.84	2.86	9.31	2.91	9.77	2.96	10.00	2.98	10.69	3.05	11.15	3.10
	32	9.13	2.78	9.59	2.82	10.05	2.88	10.28	2.89	10.97	2.97	11.44	3.01
	25	9.78	2.54	10.24	2.57	10.70	2.64	10.94	2.65	11.62	2.74	12.09	2.76
	22	10.06	2.44	10.52	2.46	10.98	2.54	11.22	2.54	11.90	2.63	12.37	2.66
18 + 13 + 13 + 13 + 10	46	7.82	3.26	8.29	3.31	8.75	3.36	8.98	3.39	9.67	3.45	10.13	3.50
	43	8.10	3.16	8.57	3.21	9.03	3.25	9.26	3.28	9.95	3.35	10.41	3.40
	40	8.38	3.06	8.84	3.10	9.31	3.15	9.54	3.18	10.23	3.25	10.69	3.29
	35	8.84	2.86	9.31	2.91	9.77	2.96	10.00	2.98	10.69	3.05	11.15	3.10
	32	9.13	2.78	9.59	2.82	10.05	2.88	10.28	2.89	10.97	2.97	11.44	3.01
	25	9.78	2.54	10.24	2.57	10.70	2.64	10.94	2.65	11.62	2.74	12.09	2.76
	22	10.06	2.44	10.52	2.46	10.98	2.54	11.22	2.54	11.90	2.63	12.37	2.66
16 + 16 + 13 + 13 + 10	46	7.82	3.26	8.29	3.31	8.75	3.36	8.98	3.39	9.67	3.45	10.13	3.50
	43	8.10	3.16	8.57	3.21	9.03	3.25	9.26	3.28	9.95	3.35	10.41	3.40
	40	8.38	3.06	8.84	3.10	9.31	3.15	9.54	3.18	10.23	3.25	10.69	3.29
	35	8.84	2.86	9.31	2.91	9.77	2.96	10.00	2.98	10.69	3.05	11.15	3.10
	32	9.13	2.78	9.59	2.82	10.05	2.88	10.28	2.89	10.97	2.97	11.44	3.01
	25	9.78	2.54	10.24	2.57	10.70	2.64	10.94	2.65	11.62	2.74	12.09	2.76
	22	10.06	2.44	10.52	2.46	10.98	2.54	11.22	2.54	11.90	2.63	12.37	2.66
13 + 13 + 13 + 13 + 13	46	7.82	3.26	8.29	3.31	8.75	3.36	8.98	3.39	9.67	3.45	10.13	3.50
	43	8.10	3.16	8.57	3.21	9.03	3.25	9.26	3.28	9.95	3.35	10.41	3.40
	40	8.38	3.06	8.84	3.10	9.31	3.15	9.54	3.18	10.23	3.25	10.69	3.29
	35	8.84	2.86	9.31	2.91	9.77	2.96	10.00	2.98	10.69	3.05	11.15	3.10
	32	9.13	2.78	9.59	2.82	10.05	2.88	10.28	2.89	10.97	2.97	11.44	3.01
	25	9.78	2.54	10.24	2.57	10.70	2.64	10.94	2.65	11.62	2.74	12.09	2.76
	22	10.06	2.44	10.52	2.46	10.98	2.54	11.22	2.54	11.90	2.63	12.37	2.66
16 + 13 + 13 + 13 + 13	46	7.82	3.26	8.29	3.31	8.75	3.36	8.98	3.39	9.67	3.45	10.13	3.50
	43	8.10	3.16	8.57	3.21	9.03	3.25	9.26	3.28	9.95	3.35	10.41	3.40
	40	8.38	3.06	8.84	3.10	9.31	3.15	9.54	3.18	10.23	3.25	10.69	3.29
	35	8.84	2.86	9.31	2.91	9.77	2.96	10.00	2.98	10.69	3.05	11.15	3.10
	32	9.13	2.78	9.59	2.82	10.05	2.88	10.28	2.89	10.97	2.97	11.44	3.01
	25	9.78	2.54	10.24	2.57	10.70	2.64	10.94	2.65	11.62	2.74	12.09	2.76
	22	10.06	2.44	10.52	2.46	10.98	2.54	11.22	2.54	11.90	2.63	12.37	2.66
22 + 05*+05*+05*+05*	46	7.75	3.23	8.20	3.27	8.66	3.32	8.89	3.35	9.57	3.41	10.03	3.46
	43	8.02	3.13	8.48	3.17	8.94	3.22	9.17	3.24	9.85	3.31	10.31	3.36
	40	8.30	3.02	8.76	3.06	9.21	3.12	9.44	3.14	10.12	3.21	10.59	3.25
	35	8.76	2.83	9.21	2.88	9.67	2.92	9.90	2.95	10.58	3.01	11.04	3.06
	32	9.04	2.75	9.49	2.79	9.95	2.85	10.18	2.86	10.86	2.94	11.32	2.97
	25	9.68	2.51	10.14	2.54	10.60	2.61	10.83	2.62	11.50	2.71	11.97	2.73
	22	9.96	2.41	10.42	2.44	10.87	2.51	11.10	2.51	11.78	2.60	12.24	2.63
24 + 05*+05*+05*+05*	46	7.75	3.23	8.20	3.27	8.66	3.32	8.89	3.35	9.57	3.41	10.03	3.46
	43	8.02	3.13	8.48	3.17	8.94	3.22	9.17	3.24	9.85	3.31	10.31	3.36
	40	8.30	3.02	8.76	3.06	9.21	3.12	9.44	3.14	10.12	3.21	10.59	3.25
	35	8.76	2.83	9.21	2.88	9.67	2.92	9.90	2.95	10.58	3.01	11.04	3.06
	32	9.04	2.75	9.49	2.79	9.95	2.85	10.18	2.86	10.86	2.94	11.32	2.97
	25	9.68	2.51	10.14	2.54	10.60	2.61	10.83	2.62	11.50	2.71	11.97	2.73
	22	9.96	2.41	10.42	2.44	10.87	2.51	11.10	2.51	11.78	2.60	12.24	2.63
22 + 07*+05*+05*+05*	46	7.75	3.23	8.20	3.27	8.66	3.32	8.89	3.35	9.57	3.41	10.03	3.46
	43	8.02	3.13	8.48	3.17	8.94	3.22	9.17	3.24	9.85	3.31	10.31	3.36
	40	8.30	3.02	8.76	3.06	9.21	3.12	9.44	3.14	10.12	3.21	10.59	3.25
	35	8.76	2.83	9.21	2.88	9.67	2.92	9.90	2.95	10.58	3.01	11.04	3.06
	32	9.04	2.75	9.49	2.79	9.95	2.85	10.18	2.86	10.86	2.94	11.32	2.97
	25	9.68	2.51	10.14	2.54	10.60	2.61	10.83	2.62	11.50	2.71	11.97	2.73
	22	9.96	2.41	10.42	2.44	10.87	2.51	11.10	2.51	11.78	2.60	12.24	2.63

Cooling

5 - rooms multisplit : 5 - units operation

Indoor units : 24 type + 07* type + 05* type + 05* type + 05* type
 22 type + 10* type + 05* type + 05* type + 05* type
 24 type + 10* type + 05* type + 05* type + 05* type
 22 type + 13* type + 05* type + 05* type + 05* type

24 type + 13* type + 05* type + 05* type + 05* type
 22 type + 07* type + 07* type + 05* type + 05* type
 24 type + 07* type + 07* type + 05* type + 05* type
 22 type + 10* type + 07* type + 05* type + 05* type

TC : Total capacity [kW]
 PI : Power input [kW]

Outdoor unit : RAS-5M34U2AVG-E *Applicable indoor unit types are "PKV" series and "BKV" series only.

Combination (Capacity)	Outdoor air temp. [°C DB]	Indoor air temp. [°C WB]											
		14		16		18		19		22		24	
		TC [kW]	PI [kW]	TC [kW]	PI [kW]	TC [kW]	PI [kW]	TC [kW]	PI [kW]	TC [kW]	PI [kW]	TC [kW]	PI [kW]
24 + 07*+05*+05*+05*	46	7.75	3.23	8.20	3.27	8.66	3.32	8.89	3.35	9.57	3.41	10.03	3.46
	43	8.02	3.13	8.48	3.17	8.94	3.22	9.17	3.24	9.85	3.31	10.31	3.36
	40	8.30	3.02	8.76	3.06	9.21	3.12	9.44	3.14	10.12	3.21	10.59	3.25
	35	8.76	2.83	9.21	2.88	9.67	2.92	9.90	2.95	10.58	3.01	11.04	3.06
	32	9.04	2.75	9.49	2.79	9.95	2.85	10.18	2.86	10.86	2.94	11.32	2.97
	25	9.68	2.51	10.14	2.54	10.60	2.61	10.83	2.62	11.50	2.71	11.97	2.73
	22	9.96	2.41	10.42	2.44	10.87	2.51	11.10	2.51	11.78	2.60	12.24	2.63
22 + 10*+05*+05*+05*	46	7.75	3.23	8.20	3.27	8.66	3.32	8.89	3.35	9.57	3.41	10.03	3.46
	43	8.02	3.13	8.48	3.17	8.94	3.22	9.17	3.24	9.85	3.31	10.31	3.36
	40	8.30	3.02	8.76	3.06	9.21	3.12	9.44	3.14	10.12	3.21	10.59	3.25
	35	8.76	2.83	9.21	2.88	9.67	2.92	9.90	2.95	10.58	3.01	11.04	3.06
	32	9.04	2.75	9.49	2.79	9.95	2.85	10.18	2.86	10.86	2.94	11.32	2.97
	25	9.68	2.51	10.14	2.54	10.60	2.61	10.83	2.62	11.50	2.71	11.97	2.73
	22	9.96	2.41	10.42	2.44	10.87	2.51	11.10	2.51	11.78	2.60	12.24	2.63
24 + 10*+05*+05*+05*	46	7.75	3.23	8.20	3.27	8.66	3.32	8.89	3.35	9.57	3.41	10.03	3.46
	43	8.02	3.13	8.48	3.17	8.94	3.22	9.17	3.24	9.85	3.31	10.31	3.36
	40	8.30	3.02	8.76	3.06	9.21	3.12	9.44	3.14	10.12	3.21	10.59	3.25
	35	8.76	2.83	9.21	2.88	9.67	2.92	9.90	2.95	10.58	3.01	11.04	3.06
	32	9.04	2.75	9.49	2.79	9.95	2.85	10.18	2.86	10.86	2.94	11.32	2.97
	25	9.68	2.51	10.14	2.54	10.60	2.61	10.83	2.62	11.50	2.71	11.97	2.73
	22	9.96	2.41	10.42	2.44	10.87	2.51	11.10	2.51	11.78	2.60	12.24	2.63
22 + 13*+05*+05*+05*	46	7.75	3.23	8.20	3.27	8.66	3.32	8.89	3.35	9.57	3.41	10.03	3.46
	43	8.02	3.13	8.48	3.17	8.94	3.22	9.17	3.24	9.85	3.31	10.31	3.36
	40	8.30	3.02	8.76	3.06	9.21	3.12	9.44	3.14	10.12	3.21	10.59	3.25
	35	8.76	2.83	9.21	2.88	9.67	2.92	9.90	2.95	10.58	3.01	11.04	3.06
	32	9.04	2.75	9.49	2.79	9.95	2.85	10.18	2.86	10.86	2.94	11.32	2.97
	25	9.68	2.51	10.14	2.54	10.60	2.61	10.83	2.62	11.50	2.71	11.97	2.73
	22	9.96	2.41	10.42	2.44	10.87	2.51	11.10	2.51	11.78	2.60	12.24	2.63
24 + 13*+05*+05*+05*	46	7.75	3.23	8.20	3.27	8.66	3.32	8.89	3.35	9.57	3.41	10.03	3.46
	43	8.02	3.13	8.48	3.17	8.94	3.22	9.17	3.24	9.85	3.31	10.31	3.36
	40	8.30	3.02	8.76	3.06	9.21	3.12	9.44	3.14	10.12	3.21	10.59	3.25
	35	8.76	2.83	9.21	2.88	9.67	2.92	9.90	2.95	10.58	3.01	11.04	3.06
	32	9.04	2.75	9.49	2.79	9.95	2.85	10.18	2.86	10.86	2.94	11.32	2.97
	25	9.68	2.51	10.14	2.54	10.60	2.61	10.83	2.62	11.50	2.71	11.97	2.73
	22	9.96	2.41	10.42	2.44	10.87	2.51	11.10	2.51	11.78	2.60	12.24	2.63
22 + 07*+07*+05*+05*	46	7.75	3.23	8.20	3.27	8.66	3.32	8.89	3.35	9.57	3.41	10.03	3.46
	43	8.02	3.13	8.48	3.17	8.94	3.22	9.17	3.24	9.85	3.31	10.31	3.36
	40	8.30	3.02	8.76	3.06	9.21	3.12	9.44	3.14	10.12	3.21	10.59	3.25
	35	8.76	2.83	9.21	2.88	9.67	2.92	9.90	2.95	10.58	3.01	11.04	3.06
	32	9.04	2.75	9.49	2.79	9.95	2.85	10.18	2.86	10.86	2.94	11.32	2.97
	25	9.68	2.51	10.14	2.54	10.60	2.61	10.83	2.62	11.50	2.71	11.97	2.73
	22	9.96	2.41	10.42	2.44	10.87	2.51	11.10	2.51	11.78	2.60	12.24	2.63
24 + 07*+07*+05*+05*	46	7.75	3.23	8.20	3.27	8.66	3.32	8.89	3.35	9.57	3.41	10.03	3.46
	43	8.02	3.13	8.48	3.17	8.94	3.22	9.17	3.24	9.85	3.31	10.31	3.36
	40	8.30	3.02	8.76	3.06	9.21	3.12	9.44	3.14	10.12	3.21	10.59	3.25
	35	8.76	2.83	9.21	2.88	9.67	2.92	9.90	2.95	10.58	3.01	11.04	3.06
	32	9.04	2.75	9.49	2.79	9.95	2.85	10.18	2.86	10.86	2.94	11.32	2.97
	25	9.68	2.51	10.14	2.54	10.60	2.61	10.83	2.62	11.50	2.71	11.97	2.73
	22	9.96	2.41	10.42	2.44	10.87	2.51	11.10	2.51	11.78	2.60	12.24	2.63
22 + 10*+07*+05*+05*	46	7.75	3.23	8.20	3.27	8.66	3.32	8.89	3.35	9.57	3.41	10.03	3.46
	43	8.02	3.13	8.48	3.17	8.94	3.22	9.17	3.24	9.85	3.31	10.31	3.36
	40	8.30	3.02	8.76	3.06	9.21	3.12	9.44	3.14	10.12	3.21	10.59	3.25
	35	8.76	2.83	9.21	2.88	9.67	2.92	9.90	2.95	10.58	3.01	11.04	3.06
	32	9.04	2.75	9.49	2.79	9.95	2.85	10.18	2.86	10.86	2.94	11.32	2.97
	25	9.68	2.51	10.14	2.54	10.60	2.61	10.83	2.62	11.50	2.71	11.97	2.73
	22	9.96	2.41	10.42	2.44	10.87	2.51	11.10	2.51	11.78	2.60	12.24	2.63

Cooling

5 - rooms multisplit : 5 - units operation

Indoor units : 24 type + 10* type + 07* type + 05* type + 05* type
 22 type + 13* type + 07* type + 05* type + 05* type
 24 type + 13* type + 07* type + 05* type + 05* type
 22 type + 10* type + 10* type + 05* type + 05* type

24 type + 10* type + 10* type + 05* type + 05* type
 22 type + 13* type + 10* type + 05* type + 05* type
 24 type + 13* type + 10* type + 05* type + 05* type
 22 type + 13* type + 10* type + 05* type + 05* type

TC : Total capacity [kW]
 PI : Power input [kW]

Outdoor unit : RAS-5M34U2AVG-E

*Applicable indoor unit types are "PKV" series and "BKV" series only.

Combination (Capacity)	Outdoor air temp. [°C DB]	Indoor air temp. [°C WB]											
		14		16		18		19		22		24	
		TC [kW]	PI [kW]	TC [kW]	PI [kW]	TC [kW]	PI [kW]	TC [kW]	PI [kW]	TC [kW]	PI [kW]	TC [kW]	PI [kW]
24+10*+07*+05*+05*	46	7.75	3.23	8.20	3.27	8.66	3.32	8.89	3.35	9.57	3.41	10.03	3.46
	43	8.02	3.13	8.48	3.17	8.94	3.22	9.17	3.24	9.85	3.31	10.31	3.36
	40	8.30	3.02	8.76	3.06	9.21	3.12	9.44	3.14	10.12	3.21	10.59	3.25
	35	8.76	2.83	9.21	2.88	9.67	2.92	9.90	2.95	10.58	3.01	11.04	3.06
	32	9.04	2.75	9.49	2.79	9.95	2.85	10.18	2.86	10.86	2.94	11.32	2.97
	25	9.68	2.51	10.14	2.54	10.60	2.61	10.83	2.62	11.50	2.71	11.97	2.73
	22	9.96	2.41	10.42	2.44	10.87	2.51	11.10	2.51	11.78	2.60	12.24	2.63
22+13*+07*+05*+05*	46	7.75	3.23	8.20	3.27	8.66	3.32	8.89	3.35	9.57	3.41	10.03	3.46
	43	8.02	3.13	8.48	3.17	8.94	3.22	9.17	3.24	9.85	3.31	10.31	3.36
	40	8.30	3.02	8.76	3.06	9.21	3.12	9.44	3.14	10.12	3.21	10.59	3.25
	35	8.76	2.83	9.21	2.88	9.67	2.92	9.90	2.95	10.58	3.01	11.04	3.06
	32	9.04	2.75	9.49	2.79	9.95	2.85	10.18	2.86	10.86	2.94	11.32	2.97
	25	9.68	2.51	10.14	2.54	10.60	2.61	10.83	2.62	11.50	2.71	11.97	2.73
	22	9.96	2.41	10.42	2.44	10.87	2.51	11.10	2.51	11.78	2.60	12.24	2.63
24+13*+07*+05*+05*	46	7.75	3.23	8.20	3.27	8.66	3.32	8.89	3.35	9.57	3.41	10.03	3.46
	43	8.02	3.13	8.48	3.17	8.94	3.22	9.17	3.24	9.85	3.31	10.31	3.36
	40	8.30	3.02	8.76	3.06	9.21	3.12	9.44	3.14	10.12	3.21	10.59	3.25
	35	8.76	2.83	9.21	2.88	9.67	2.92	9.90	2.95	10.58	3.01	11.04	3.06
	32	9.04	2.75	9.49	2.79	9.95	2.85	10.18	2.86	10.86	2.94	11.32	2.97
	25	9.68	2.51	10.14	2.54	10.60	2.61	10.83	2.62	11.50	2.71	11.97	2.73
	22	9.96	2.41	10.42	2.44	10.87	2.51	11.10	2.51	11.78	2.60	12.24	2.63
22+10*+10*+05*+05*	46	7.75	3.23	8.20	3.27	8.66	3.32	8.89	3.35	9.57	3.41	10.03	3.46
	43	8.02	3.13	8.48	3.17	8.94	3.22	9.17	3.24	9.85	3.31	10.31	3.36
	40	8.30	3.02	8.76	3.06	9.21	3.12	9.44	3.14	10.12	3.21	10.59	3.25
	35	8.76	2.83	9.21	2.88	9.67	2.92	9.90	2.95	10.58	3.01	11.04	3.06
	32	9.04	2.75	9.49	2.79	9.95	2.85	10.18	2.86	10.86	2.94	11.32	2.97
	25	9.68	2.51	10.14	2.54	10.60	2.61	10.83	2.62	11.50	2.71	11.97	2.73
	22	9.96	2.41	10.42	2.44	10.87	2.51	11.10	2.51	11.78	2.60	12.24	2.63
24+10*+10*+05*+05*	46	7.75	3.23	8.20	3.27	8.66	3.32	8.89	3.35	9.57	3.41	10.03	3.46
	43	8.02	3.13	8.48	3.17	8.94	3.22	9.17	3.24	9.85	3.31	10.31	3.36
	40	8.30	3.02	8.76	3.06	9.21	3.12	9.44	3.14	10.12	3.21	10.59	3.25
	35	8.76	2.83	9.21	2.88	9.67	2.92	9.90	2.95	10.58	3.01	11.04	3.06
	32	9.04	2.75	9.49	2.79	9.95	2.85	10.18	2.86	10.86	2.94	11.32	2.97
	25	9.68	2.51	10.14	2.54	10.60	2.61	10.83	2.62	11.50	2.71	11.97	2.73
	22	9.96	2.41	10.42	2.44	10.87	2.51	11.10	2.51	11.78	2.60	12.24	2.63
22+13*+10*+05*+05*	46	7.75	3.23	8.20	3.27	8.66	3.32	8.89	3.35	9.57	3.41	10.03	3.46
	43	8.02	3.13	8.48	3.17	8.94	3.22	9.17	3.24	9.85	3.31	10.31	3.36
	40	8.30	3.02	8.76	3.06	9.21	3.12	9.44	3.14	10.12	3.21	10.59	3.25
	35	8.76	2.83	9.21	2.88	9.67	2.92	9.90	2.95	10.58	3.01	11.04	3.06
	32	9.04	2.75	9.49	2.79	9.95	2.85	10.18	2.86	10.86	2.94	11.32	2.97
	25	9.68	2.51	10.14	2.54	10.60	2.61	10.83	2.62	11.50	2.71	11.97	2.73
	22	9.96	2.41	10.42	2.44	10.87	2.51	11.10	2.51	11.78	2.60	12.24	2.63
24+13*+10*+05*+05*	46	7.75	3.23	8.20	3.27	8.66	3.32	8.89	3.35	9.57	3.41	10.03	3.46
	43	8.02	3.13	8.48	3.17	8.94	3.22	9.17	3.24	9.85	3.31	10.31	3.36
	40	8.30	3.02	8.76	3.06	9.21	3.12	9.44	3.14	10.12	3.21	10.59	3.25
	35	8.76	2.83	9.21	2.88	9.67	2.92	9.90	2.95	10.58	3.01	11.04	3.06
	32	9.04	2.75	9.49	2.79	9.95	2.85	10.18	2.86	10.86	2.94	11.32	2.97
	25	9.68	2.51	10.14	2.54	10.60	2.61	10.83	2.62	11.50	2.71	11.97	2.73
	22	9.96	2.41	10.42	2.44	10.87	2.51	11.10	2.51	11.78	2.60	12.24	2.63
22+13*+13*+05*+05*	46	7.75	3.23	8.20	3.27	8.66	3.32	8.89	3.35	9.57	3.41	10.03	3.46
	43	8.02	3.13	8.48	3.17	8.94	3.22	9.17	3.24	9.85	3.31	10.31	3.36
	40	8.30	3.02	8.76	3.06	9.21	3.12	9.44	3.14	10.12	3.21	10.59	3.25
	35	8.76	2.83	9.21	2.88	9.67	2.92	9.90	2.95	10.58	3.01	11.04	3.06
	32	9.04	2.75	9.49	2.79	9.95	2.85	10.18	2.86	10.86	2.94	11.32	2.97
	25	9.68	2.51	10.14	2.54	10.60	2.61	10.83	2.62	11.50	2.71	11.97	2.73
	22	9.96	2.41	10.42	2.44	10.87	2.51	11.10	2.51	11.78	2.60	12.24	2.63

Cooling

5 - rooms multisplit : 5 - units operation

Indoor units : 24 type + 13* type + 13* type + 05* type + 05* type 24 type + 10* type + 07* type + 05* type + 05* type
 22 type + 07* type + 07* type + 07* type + 05* type 22 type + 13* type + 07* type + 07* type + 05* type
 24 type + 07* type + 07* type + 07* type + 05* type 24 type + 13* type + 07* type + 07* type + 05* type
 22 type + 10* type + 07* type + 07* type + 05* type 22 type + 10* type + 10* type + 07* type + 05* type

TC : Total capacity [kW]
 PI : Power input [kW]

Outdoor unit : RAS-5M34U2AVG-E *Applicable indoor unit types are "PKV" series and "BKV" series only.

Combination (Capacity)	Outdoor air temp. [°C DB]	Indoor air temp. [°C WB]											
		14		16		18		19		22		24	
		TC [kW]	PI [kW]	TC [kW]	PI [kW]	TC [kW]	PI [kW]	TC [kW]	PI [kW]	TC [kW]	PI [kW]	TC [kW]	PI [kW]
24 + 13*+13*+05*+05*	46	7.75	3.23	8.20	3.27	8.66	3.32	8.89	3.35	9.57	3.41	10.03	3.46
	43	8.02	3.13	8.48	3.17	8.94	3.22	9.17	3.24	9.85	3.31	10.31	3.36
	40	8.30	3.02	8.76	3.06	9.21	3.12	9.44	3.14	10.12	3.21	10.59	3.25
	35	8.76	2.83	9.21	2.88	9.67	2.92	9.90	2.95	10.58	3.01	11.04	3.06
	32	9.04	2.75	9.49	2.79	9.95	2.85	10.18	2.86	10.86	2.94	11.32	2.97
	25	9.68	2.51	10.14	2.54	10.60	2.61	10.83	2.62	11.50	2.71	11.97	2.73
	22	9.96	2.41	10.42	2.44	10.87	2.51	11.10	2.51	11.78	2.60	12.24	2.63
22 + 07*+07*+07*+05*	46	7.75	3.23	8.20	3.27	8.66	3.32	8.89	3.35	9.57	3.41	10.03	3.46
	43	8.02	3.13	8.48	3.17	8.94	3.22	9.17	3.24	9.85	3.31	10.31	3.36
	40	8.30	3.02	8.76	3.06	9.21	3.12	9.44	3.14	10.12	3.21	10.59	3.25
	35	8.76	2.83	9.21	2.88	9.67	2.92	9.90	2.95	10.58	3.01	11.04	3.06
	32	9.04	2.75	9.49	2.79	9.95	2.85	10.18	2.86	10.86	2.94	11.32	2.97
	25	9.68	2.51	10.14	2.54	10.60	2.61	10.83	2.62	11.50	2.71	11.97	2.73
	22	9.96	2.41	10.42	2.44	10.87	2.51	11.10	2.51	11.78	2.60	12.24	2.63
24 + 07*+07*+07*+05*	46	7.75	3.23	8.20	3.27	8.66	3.32	8.89	3.35	9.57	3.41	10.03	3.46
	43	8.02	3.13	8.48	3.17	8.94	3.22	9.17	3.24	9.85	3.31	10.31	3.36
	40	8.30	3.02	8.76	3.06	9.21	3.12	9.44	3.14	10.12	3.21	10.59	3.25
	35	8.76	2.83	9.21	2.88	9.67	2.92	9.90	2.95	10.58	3.01	11.04	3.06
	32	9.04	2.75	9.49	2.79	9.95	2.85	10.18	2.86	10.86	2.94	11.32	2.97
	25	9.68	2.51	10.14	2.54	10.60	2.61	10.83	2.62	11.50	2.71	11.97	2.73
	22	9.96	2.41	10.42	2.44	10.87	2.51	11.10	2.51	11.78	2.60	12.24	2.63
22 + 10*+07*+07*+05*	46	7.75	3.23	8.20	3.27	8.66	3.32	8.89	3.35	9.57	3.41	10.03	3.46
	43	8.02	3.13	8.48	3.17	8.94	3.22	9.17	3.24	9.85	3.31	10.31	3.36
	40	8.30	3.02	8.76	3.06	9.21	3.12	9.44	3.14	10.12	3.21	10.59	3.25
	35	8.76	2.83	9.21	2.88	9.67	2.92	9.90	2.95	10.58	3.01	11.04	3.06
	32	9.04	2.75	9.49	2.79	9.95	2.85	10.18	2.86	10.86	2.94	11.32	2.97
	25	9.68	2.51	10.14	2.54	10.60	2.61	10.83	2.62	11.50	2.71	11.97	2.73
	22	9.96	2.41	10.42	2.44	10.87	2.51	11.10	2.51	11.78	2.60	12.24	2.63
24 + 10*+07*+07*+05*	46	7.75	3.23	8.20	3.27	8.66	3.32	8.89	3.35	9.57	3.41	10.03	3.46
	43	8.02	3.13	8.48	3.17	8.94	3.22	9.17	3.24	9.85	3.31	10.31	3.36
	40	8.30	3.02	8.76	3.06	9.21	3.12	9.44	3.14	10.12	3.21	10.59	3.25
	35	8.76	2.83	9.21	2.88	9.67	2.92	9.90	2.95	10.58	3.01	11.04	3.06
	32	9.04	2.75	9.49	2.79	9.95	2.85	10.18	2.86	10.86	2.94	11.32	2.97
	25	9.68	2.51	10.14	2.54	10.60	2.61	10.83	2.62	11.50	2.71	11.97	2.73
	22	9.96	2.41	10.42	2.44	10.87	2.51	11.10	2.51	11.78	2.60	12.24	2.63
22 + 13*+07*+07*+05*	46	7.75	3.23	8.20	3.27	8.66	3.32	8.89	3.35	9.57	3.41	10.03	3.46
	43	8.02	3.13	8.48	3.17	8.94	3.22	9.17	3.24	9.85	3.31	10.31	3.36
	40	8.30	3.02	8.76	3.06	9.21	3.12	9.44	3.14	10.12	3.21	10.59	3.25
	35	8.76	2.83	9.21	2.88	9.67	2.92	9.90	2.95	10.58	3.01	11.04	3.06
	32	9.04	2.75	9.49	2.79	9.95	2.85	10.18	2.86	10.86	2.94	11.32	2.97
	25	9.68	2.51	10.14	2.54	10.60	2.61	10.83	2.62	11.50	2.71	11.97	2.73
	22	9.96	2.41	10.42	2.44	10.87	2.51	11.10	2.51	11.78	2.60	12.24	2.63
24 + 13*+07*+07*+05*	46	7.75	3.23	8.20	3.27	8.66	3.32	8.89	3.35	9.57	3.41	10.03	3.46
	43	8.02	3.13	8.48	3.17	8.94	3.22	9.17	3.24	9.85	3.31	10.31	3.36
	40	8.30	3.02	8.76	3.06	9.21	3.12	9.44	3.14	10.12	3.21	10.59	3.25
	35	8.76	2.83	9.21	2.88	9.67	2.92	9.90	2.95	10.58	3.01	11.04	3.06
	32	9.04	2.75	9.49	2.79	9.95	2.85	10.18	2.86	10.86	2.94	11.32	2.97
	25	9.68	2.51	10.14	2.54	10.60	2.61	10.83	2.62	11.50	2.71	11.97	2.73
	22	9.96	2.41	10.42	2.44	10.87	2.51	11.10	2.51	11.78	2.60	12.24	2.63
22 + 10*+10*+07*+05*	46	7.75	3.23	8.20	3.27	8.66	3.32	8.89	3.35	9.57	3.41	10.03	3.46
	43	8.02	3.13	8.48	3.17	8.94	3.22	9.17	3.24	9.85	3.31	10.31	3.36
	40	8.30	3.02	8.76	3.06	9.21	3.12	9.44	3.14	10.12	3.21	10.59	3.25
	35	8.76	2.83	9.21	2.88	9.67	2.92	9.90	2.95	10.58	3.01	11.04	3.06
	32	9.04	2.75	9.49	2.79	9.95	2.85	10.18	2.86	10.86	2.94	11.32	2.97
	25	9.68	2.51	10.14	2.54	10.60	2.61	10.83	2.62	11.50	2.71	11.97	2.73
	22	9.96	2.41	10.42	2.44	10.87	2.51	11.10	2.51	11.78	2.60	12.24	2.63

Cooling

5 - rooms multisplit : 5 - units operation

Indoor units : 24 type + 10* type + 10* type + 07* type + 05* type 24 type + 13* type + 13* type + 05* type + 05* type
 22 type + 13* type + 10* type + 07* type + 05* type 22 type + 10* type + 10* type + 10* type + 05* type
 24 type + 13* type + 10* type + 07* type + 05* type 24 type + 10* type + 10* type + 10* type + 05* type
 22 type + 13* type + 13* type + 07* type + 05* type 22 type + 13* type + 10* type + 10* type + 05* type

TC : Total capacity [kW]
 PI : Power input [kW]

Outdoor unit : RAS-5M34U2AVG-E *Applicable indoor unit types are "PKV" series and "BKV" series only.

Combination (Capacity)	Outdoor air temp. [°C DB]	Indoor air temp. [°C WB]											
		14		16		18		19		22		24	
		TC [kW]	PI [kW]	TC [kW]	PI [kW]	TC [kW]	PI [kW]	TC [kW]	PI [kW]	TC [kW]	PI [kW]	TC [kW]	PI [kW]
24 + 10*+10*+07*+05*	46	7.75	3.23	8.20	3.27	8.66	3.32	8.89	3.35	9.57	3.41	10.03	3.46
	43	8.02	3.13	8.48	3.17	8.94	3.22	9.17	3.24	9.85	3.31	10.31	3.36
	40	8.30	3.02	8.76	3.06	9.21	3.12	9.44	3.14	10.12	3.21	10.59	3.25
	35	8.76	2.83	9.21	2.88	9.67	2.92	9.90	2.95	10.58	3.01	11.04	3.06
	32	9.04	2.75	9.49	2.79	9.95	2.85	10.18	2.86	10.86	2.94	11.32	2.97
	25	9.68	2.51	10.14	2.54	10.60	2.61	10.83	2.62	11.50	2.71	11.97	2.73
	22	9.96	2.41	10.42	2.44	10.87	2.51	11.10	2.51	11.78	2.60	12.24	2.63
22 + 13*+10*+07*+05*	46	7.75	3.23	8.20	3.27	8.66	3.32	8.89	3.35	9.57	3.41	10.03	3.46
	43	8.02	3.13	8.48	3.17	8.94	3.22	9.17	3.24	9.85	3.31	10.31	3.36
	40	8.30	3.02	8.76	3.06	9.21	3.12	9.44	3.14	10.12	3.21	10.59	3.25
	35	8.76	2.83	9.21	2.88	9.67	2.92	9.90	2.95	10.58	3.01	11.04	3.06
	32	9.04	2.75	9.49	2.79	9.95	2.85	10.18	2.86	10.86	2.94	11.32	2.97
	25	9.68	2.51	10.14	2.54	10.60	2.61	10.83	2.62	11.50	2.71	11.97	2.73
	22	9.96	2.41	10.42	2.44	10.87	2.51	11.10	2.51	11.78	2.60	12.24	2.63
24 + 13*+10*+07*+05*	46	7.75	3.23	8.20	3.27	8.66	3.32	8.89	3.35	9.57	3.41	10.03	3.46
	43	8.02	3.13	8.48	3.17	8.94	3.22	9.17	3.24	9.85	3.31	10.31	3.36
	40	8.30	3.02	8.76	3.06	9.21	3.12	9.44	3.14	10.12	3.21	10.59	3.25
	35	8.76	2.83	9.21	2.88	9.67	2.92	9.90	2.95	10.58	3.01	11.04	3.06
	32	9.04	2.75	9.49	2.79	9.95	2.85	10.18	2.86	10.86	2.94	11.32	2.97
	25	9.68	2.51	10.14	2.54	10.60	2.61	10.83	2.62	11.50	2.71	11.97	2.73
	22	9.96	2.41	10.42	2.44	10.87	2.51	11.10	2.51	11.78	2.60	12.24	2.63
22 + 13*+13*+07*+05*	46	7.75	3.23	8.20	3.27	8.66	3.32	8.89	3.35	9.57	3.41	10.03	3.46
	43	8.02	3.13	8.48	3.17	8.94	3.22	9.17	3.24	9.85	3.31	10.31	3.36
	40	8.30	3.02	8.76	3.06	9.21	3.12	9.44	3.14	10.12	3.21	10.59	3.25
	35	8.76	2.83	9.21	2.88	9.67	2.92	9.90	2.95	10.58	3.01	11.04	3.06
	32	9.04	2.75	9.49	2.79	9.95	2.85	10.18	2.86	10.86	2.94	11.32	2.97
	25	9.68	2.51	10.14	2.54	10.60	2.61	10.83	2.62	11.50	2.71	11.97	2.73
	22	9.96	2.41	10.42	2.44	10.87	2.51	11.10	2.51	11.78	2.60	12.24	2.63
24 + 13*+13*+07*+05*	46	7.75	3.23	8.20	3.27	8.66	3.32	8.89	3.35	9.57	3.41	10.03	3.46
	43	8.02	3.13	8.48	3.17	8.94	3.22	9.17	3.24	9.85	3.31	10.31	3.36
	40	8.30	3.02	8.76	3.06	9.21	3.12	9.44	3.14	10.12	3.21	10.59	3.25
	35	8.76	2.83	9.21	2.88	9.67	2.92	9.90	2.95	10.58	3.01	11.04	3.06
	32	9.04	2.75	9.49	2.79	9.95	2.85	10.18	2.86	10.86	2.94	11.32	2.97
	25	9.68	2.51	10.14	2.54	10.60	2.61	10.83	2.62	11.50	2.71	11.97	2.73
	22	9.96	2.41	10.42	2.44	10.87	2.51	11.10	2.51	11.78	2.60	12.24	2.63
22 + 10*+10*+10*+05*	46	7.75	3.23	8.20	3.27	8.66	3.32	8.89	3.35	9.57	3.41	10.03	3.46
	43	8.02	3.13	8.48	3.17	8.94	3.22	9.17	3.24	9.85	3.31	10.31	3.36
	40	8.30	3.02	8.76	3.06	9.21	3.12	9.44	3.14	10.12	3.21	10.59	3.25
	35	8.76	2.83	9.21	2.88	9.67	2.92	9.90	2.95	10.58	3.01	11.04	3.06
	32	9.04	2.75	9.49	2.79	9.95	2.85	10.18	2.86	10.86	2.94	11.32	2.97
	25	9.68	2.51	10.14	2.54	10.60	2.61	10.83	2.62	11.50	2.71	11.97	2.73
	22	9.96	2.41	10.42	2.44	10.87	2.51	11.10	2.51	11.78	2.60	12.24	2.63
24 + 10*+10*+10*+05*	46	7.75	3.23	8.20	3.27	8.66	3.32	8.89	3.35	9.57	3.41	10.03	3.46
	43	8.02	3.13	8.48	3.17	8.94	3.22	9.17	3.24	9.85	3.31	10.31	3.36
	40	8.30	3.02	8.76	3.06	9.21	3.12	9.44	3.14	10.12	3.21	10.59	3.25
	35	8.76	2.83	9.21	2.88	9.67	2.92	9.90	2.95	10.58	3.01	11.04	3.06
	32	9.04	2.75	9.49	2.79	9.95	2.85	10.18	2.86	10.86	2.94	11.32	2.97
	25	9.68	2.51	10.14	2.54	10.60	2.61	10.83	2.62	11.50	2.71	11.97	2.73
	22	9.96	2.41	10.42	2.44	10.87	2.51	11.10	2.51	11.78	2.60	12.24	2.63
22 + 13*+10*+10*+05*	46	7.75	3.23	8.20	3.27	8.66	3.32	8.89	3.35	9.57	3.41	10.03	3.46
	43	8.02	3.13	8.48	3.17	8.94	3.22	9.17	3.24	9.85	3.31	10.31	3.36
	40	8.30	3.02	8.76	3.06	9.21	3.12	9.44	3.14	10.12	3.21	10.59	3.25
	35	8.76	2.83	9.21	2.88	9.67	2.92	9.90	2.95	10.58	3.01	11.04	3.06
	32	9.04	2.75	9.49	2.79	9.95	2.85	10.18	2.86	10.86	2.94	11.32	2.97
	25	9.68	2.51	10.14	2.54	10.60	2.61	10.83	2.62	11.50	2.71	11.97	2.73
	22	9.96	2.41	10.42	2.44	10.87	2.51	11.10	2.51	11.78	2.60	12.24	2.63

Cooling

5 - rooms multisplit : 5 - units operation

Indoor units : 24 type + 13* type + 10* type + 10* type + 05* type
 22 type + 13* type + 13* type + 10* type + 05* type
 24 type + 13* type + 13* type + 10* type + 05* type
 22 type + 13* type + 13* type + 10* type + 05* type

22 type + 07* type + 07* type + 07* type + 07* type
 24 type + 07* type + 07* type + 07* type + 07* type
 22 type + 10* type + 07* type + 07* type + 07* type
 24 type + 10* type + 07* type + 07* type + 07* type

TC : Total capacity [kW]
 PI : Power input [kW]

Outdoor unit : RAS-5M34U2AVG-E

*Applicable indoor unit types are "PKV" series and "BKV" series only.

Combination (Capacity)	Outdoor air temp. [°C DB]	Indoor air temp. [°C WB]											
		14		16		18		19		22		24	
		TC [kW]	PI [kW]	TC [kW]	PI [kW]	TC [kW]	PI [kW]	TC [kW]	PI [kW]	TC [kW]	PI [kW]	TC [kW]	PI [kW]
24 + 13*+10*+10*+05*	46	7.75	3.23	8.20	3.27	8.66	3.32	8.89	3.35	9.57	3.41	10.03	3.46
	43	8.02	3.13	8.48	3.17	8.94	3.22	9.17	3.24	9.85	3.31	10.31	3.36
	40	8.30	3.02	8.76	3.06	9.21	3.12	9.44	3.14	10.12	3.21	10.59	3.25
	35	8.76	2.83	9.21	2.88	9.67	2.92	9.90	2.95	10.58	3.01	11.04	3.06
	32	9.04	2.75	9.49	2.79	9.95	2.85	10.18	2.86	10.86	2.94	11.32	2.97
	25	9.68	2.51	10.14	2.54	10.60	2.61	10.83	2.62	11.50	2.71	11.97	2.73
	22	9.96	2.41	10.42	2.44	10.87	2.51	11.10	2.51	11.78	2.60	12.24	2.63
22 + 13*+13*+10*+05*	46	7.75	3.23	8.20	3.27	8.66	3.32	8.89	3.35	9.57	3.41	10.03	3.46
	43	8.02	3.13	8.48	3.17	8.94	3.22	9.17	3.24	9.85	3.31	10.31	3.36
	40	8.30	3.02	8.76	3.06	9.21	3.12	9.44	3.14	10.12	3.21	10.59	3.25
	35	8.76	2.83	9.21	2.88	9.67	2.92	9.90	2.95	10.58	3.01	11.04	3.06
	32	9.04	2.75	9.49	2.79	9.95	2.85	10.18	2.86	10.86	2.94	11.32	2.97
	25	9.68	2.51	10.14	2.54	10.60	2.61	10.83	2.62	11.50	2.71	11.97	2.73
	22	9.96	2.41	10.42	2.44	10.87	2.51	11.10	2.51	11.78	2.60	12.24	2.63
24 + 13*+13*+10*+05*	46	7.75	3.23	8.20	3.27	8.66	3.32	8.89	3.35	9.57	3.41	10.03	3.46
	43	8.02	3.13	8.48	3.17	8.94	3.22	9.17	3.24	9.85	3.31	10.31	3.36
	40	8.30	3.02	8.76	3.06	9.21	3.12	9.44	3.14	10.12	3.21	10.59	3.25
	35	8.76	2.83	9.21	2.88	9.67	2.92	9.90	2.95	10.58	3.01	11.04	3.06
	32	9.04	2.75	9.49	2.79	9.95	2.85	10.18	2.86	10.86	2.94	11.32	2.97
	25	9.68	2.51	10.14	2.54	10.60	2.61	10.83	2.62	11.50	2.71	11.97	2.73
	22	9.96	2.41	10.42	2.44	10.87	2.51	11.10	2.51	11.78	2.60	12.24	2.63
22 + 13*+13*+13*+05*	46	7.75	3.23	8.20	3.27	8.66	3.32	8.89	3.35	9.57	3.41	10.03	3.46
	43	8.02	3.13	8.48	3.17	8.94	3.22	9.17	3.24	9.85	3.31	10.31	3.36
	40	8.30	3.02	8.76	3.06	9.21	3.12	9.44	3.14	10.12	3.21	10.59	3.25
	35	8.76	2.83	9.21	2.88	9.67	2.92	9.90	2.95	10.58	3.01	11.04	3.06
	32	9.04	2.75	9.49	2.79	9.95	2.85	10.18	2.86	10.86	2.94	11.32	2.97
	25	9.68	2.51	10.14	2.54	10.60	2.61	10.83	2.62	11.50	2.71	11.97	2.73
	22	9.96	2.41	10.42	2.44	10.87	2.51	11.10	2.51	11.78	2.60	12.24	2.63
22 + 07*+07*+07*+07*	46	7.75	3.23	8.20	3.27	8.66	3.32	8.89	3.35	9.57	3.41	10.03	3.46
	43	8.02	3.13	8.48	3.17	8.94	3.22	9.17	3.24	9.85	3.31	10.31	3.36
	40	8.30	3.02	8.76	3.06	9.21	3.12	9.44	3.14	10.12	3.21	10.59	3.25
	35	8.76	2.83	9.21	2.88	9.67	2.92	9.90	2.95	10.58	3.01	11.04	3.06
	32	9.04	2.75	9.49	2.79	9.95	2.85	10.18	2.86	10.86	2.94	11.32	2.97
	25	9.68	2.51	10.14	2.54	10.60	2.61	10.83	2.62	11.50	2.71	11.97	2.73
	22	9.96	2.41	10.42	2.44	10.87	2.51	11.10	2.51	11.78	2.60	12.24	2.63
24+07*+07*+07*+07*	46	7.75	3.23	8.20	3.27	8.66	3.32	8.89	3.35	9.57	3.41	10.03	3.46
	43	8.02	3.13	8.48	3.17	8.94	3.22	9.17	3.24	9.85	3.31	10.31	3.36
	40	8.30	3.02	8.76	3.06	9.21	3.12	9.44	3.14	10.12	3.21	10.59	3.25
	35	8.76	2.83	9.21	2.88	9.67	2.92	9.90	2.95	10.58	3.01	11.04	3.06
	32	9.04	2.75	9.49	2.79	9.95	2.85	10.18	2.86	10.86	2.94	11.32	2.97
	25	9.68	2.51	10.14	2.54	10.60	2.61	10.83	2.62	11.50	2.71	11.97	2.73
	22	9.96	2.41	10.42	2.44	10.87	2.51	11.10	2.51	11.78	2.60	12.24	2.63
22 + 10*+07*+07*+07*	46	7.75	3.23	8.20	3.27	8.66	3.32	8.89	3.35	9.57	3.41	10.03	3.46
	43	8.02	3.13	8.48	3.17	8.94	3.22	9.17	3.24	9.85	3.31	10.31	3.36
	40	8.30	3.02	8.76	3.06	9.21	3.12	9.44	3.14	10.12	3.21	10.59	3.25
	35	8.76	2.83	9.21	2.88	9.67	2.92	9.90	2.95	10.58	3.01	11.04	3.06
	32	9.04	2.75	9.49	2.79	9.95	2.85	10.18	2.86	10.86	2.94	11.32	2.97
	25	9.68	2.51	10.14	2.54	10.60	2.61	10.83	2.62	11.50	2.71	11.97	2.73
	22	9.96	2.41	10.42	2.44	10.87	2.51	11.10	2.51	11.78	2.60	12.24	2.63
24 + 10*+07*+07*+07*	46	7.75	3.23	8.20	3.27	8.66	3.32	8.89	3.35	9.57	3.41	10.03	3.46
	43	8.02	3.13	8.48	3.17	8.94	3.22	9.17	3.24	9.85	3.31	10.31	3.36
	40	8.30	3.02	8.76	3.06	9.21	3.12	9.44	3.14	10.12	3.21	10.59	3.25
	35	8.76	2.83	9.21	2.88	9.67	2.92	9.90	2.95	10.58	3.01	11.04	3.06
	32	9.04	2.75	9.49	2.79	9.95	2.85	10.18	2.86	10.86	2.94	11.32	2.97
	25	9.68	2.51	10.14	2.54	10.60	2.61	10.83	2.62	11.50	2.71	11.97	2.73
	22	9.96	2.41	10.42	2.44	10.87	2.51	11.10	2.51	11.78	2.60	12.24	2.63

Cooling

5 - rooms multisplit : 5 - units operation

Indoor units : 22 type + 13* type + 07* type + 07* type + 07* type
 24 type + 13* type + 07* type + 07* type + 07* type
 22 type + 10* type + 10* type + 07* type + 07* type
 24 type + 10* type + 10* type + 07* type + 07* type

22 type + 13* type + 10* type + 07* type + 07* type
 24 type + 13* type + 10* type + 07* type + 07* type
 22 type + 13* type + 13* type + 07* type + 07* type
 24 type + 13* type + 13* type + 07* type + 07* type

TC : Total capacity [kW]
 PI : Power input [kW]

Outdoor unit : RAS-5M34U2AVG-E

*Applicable indoor unit types are "PKV" series and "BKV" series only.

Combination (Capacity)	Outdoor air temp. [°C DB]	Indoor air temp. [°C WB]											
		14		16		18		19		22		24	
		TC [kW]	PI [kW]	TC [kW]	PI [kW]	TC [kW]	PI [kW]	TC [kW]	PI [kW]	TC [kW]	PI [kW]	TC [kW]	PI [kW]
22 + 13*+07*+07*+07*	46	7.75	3.23	8.20	3.27	8.66	3.32	8.89	3.35	9.57	3.41	10.03	3.46
	43	8.02	3.13	8.48	3.17	8.94	3.22	9.17	3.24	9.85	3.31	10.31	3.36
	40	8.30	3.02	8.76	3.06	9.21	3.12	9.44	3.14	10.12	3.21	10.59	3.25
	35	8.76	2.83	9.21	2.88	9.67	2.92	9.90	2.95	10.58	3.01	11.04	3.06
	32	9.04	2.75	9.49	2.79	9.95	2.85	10.18	2.86	10.86	2.94	11.32	2.97
	25	9.68	2.51	10.14	2.54	10.60	2.61	10.83	2.62	11.50	2.71	11.97	2.73
	22	9.96	2.41	10.42	2.44	10.87	2.51	11.10	2.51	11.78	2.60	12.24	2.63
24 + 13*+07*+07*+07*	46	7.75	3.23	8.20	3.27	8.66	3.32	8.89	3.35	9.57	3.41	10.03	3.46
	43	8.02	3.13	8.48	3.17	8.94	3.22	9.17	3.24	9.85	3.31	10.31	3.36
	40	8.30	3.02	8.76	3.06	9.21	3.12	9.44	3.14	10.12	3.21	10.59	3.25
	35	8.76	2.83	9.21	2.88	9.67	2.92	9.90	2.95	10.58	3.01	11.04	3.06
	32	9.04	2.75	9.49	2.79	9.95	2.85	10.18	2.86	10.86	2.94	11.32	2.97
	25	9.68	2.51	10.14	2.54	10.60	2.61	10.83	2.62	11.50	2.71	11.97	2.73
	22	9.96	2.41	10.42	2.44	10.87	2.51	11.10	2.51	11.78	2.60	12.24	2.63
22 + 10*+10*+07*+07*	46	7.75	3.23	8.20	3.27	8.66	3.32	8.89	3.35	9.57	3.41	10.03	3.46
	43	8.02	3.13	8.48	3.17	8.94	3.22	9.17	3.24	9.85	3.31	10.31	3.36
	40	8.30	3.02	8.76	3.06	9.21	3.12	9.44	3.14	10.12	3.21	10.59	3.25
	35	8.76	2.83	9.21	2.88	9.67	2.92	9.90	2.95	10.58	3.01	11.04	3.06
	32	9.04	2.75	9.49	2.79	9.95	2.85	10.18	2.86	10.86	2.94	11.32	2.97
	25	9.68	2.51	10.14	2.54	10.60	2.61	10.83	2.62	11.50	2.71	11.97	2.73
	22	9.96	2.41	10.42	2.44	10.87	2.51	11.10	2.51	11.78	2.60	12.24	2.63
24 + 10*+10*+07*+07*	46	7.75	3.23	8.20	3.27	8.66	3.32	8.89	3.35	9.57	3.41	10.03	3.46
	43	8.02	3.13	8.48	3.17	8.94	3.22	9.17	3.24	9.85	3.31	10.31	3.36
	40	8.30	3.02	8.76	3.06	9.21	3.12	9.44	3.14	10.12	3.21	10.59	3.25
	35	8.76	2.83	9.21	2.88	9.67	2.92	9.90	2.95	10.58	3.01	11.04	3.06
	32	9.04	2.75	9.49	2.79	9.95	2.85	10.18	2.86	10.86	2.94	11.32	2.97
	25	9.68	2.51	10.14	2.54	10.60	2.61	10.83	2.62	11.50	2.71	11.97	2.73
	22	9.96	2.41	10.42	2.44	10.87	2.51	11.10	2.51	11.78	2.60	12.24	2.63
22 + 13*+10*+07*+07*	46	7.75	3.23	8.20	3.27	8.66	3.32	8.89	3.35	9.57	3.41	10.03	3.46
	43	8.02	3.13	8.48	3.17	8.94	3.22	9.17	3.24	9.85	3.31	10.31	3.36
	40	8.30	3.02	8.76	3.06	9.21	3.12	9.44	3.14	10.12	3.21	10.59	3.25
	35	8.76	2.83	9.21	2.88	9.67	2.92	9.90	2.95	10.58	3.01	11.04	3.06
	32	9.04	2.75	9.49	2.79	9.95	2.85	10.18	2.86	10.86	2.94	11.32	2.97
	25	9.68	2.51	10.14	2.54	10.60	2.61	10.83	2.62	11.50	2.71	11.97	2.73
	22	9.96	2.41	10.42	2.44	10.87	2.51	11.10	2.51	11.78	2.60	12.24	2.63
24 + 13*+10*+07*+07*	46	7.75	3.23	8.20	3.27	8.66	3.32	8.89	3.35	9.57	3.41	10.03	3.46
	43	8.02	3.13	8.48	3.17	8.94	3.22	9.17	3.24	9.85	3.31	10.31	3.36
	40	8.30	3.02	8.76	3.06	9.21	3.12	9.44	3.14	10.12	3.21	10.59	3.25
	35	8.76	2.83	9.21	2.88	9.67	2.92	9.90	2.95	10.58	3.01	11.04	3.06
	32	9.04	2.75	9.49	2.79	9.95	2.85	10.18	2.86	10.86	2.94	11.32	2.97
	25	9.68	2.51	10.14	2.54	10.60	2.61	10.83	2.62	11.50	2.71	11.97	2.73
	22	9.96	2.41	10.42	2.44	10.87	2.51	11.10	2.51	11.78	2.60	12.24	2.63
22 + 13*+13*+07*+07*	46	7.75	3.23	8.20	3.27	8.66	3.32	8.89	3.35	9.57	3.41	10.03	3.46
	43	8.02	3.13	8.48	3.17	8.94	3.22	9.17	3.24	9.85	3.31	10.31	3.36
	40	8.30	3.02	8.76	3.06	9.21	3.12	9.44	3.14	10.12	3.21	10.59	3.25
	35	8.76	2.83	9.21	2.88	9.67	2.92	9.90	2.95	10.58	3.01	11.04	3.06
	32	9.04	2.75	9.49	2.79	9.95	2.85	10.18	2.86	10.86	2.94	11.32	2.97
	25	9.68	2.51	10.14	2.54	10.60	2.61	10.83	2.62	11.50	2.71	11.97	2.73
	22	9.96	2.41	10.42	2.44	10.87	2.51	11.10	2.51	11.78	2.60	12.24	2.63
24 + 13*+13*+07*+07*	46	7.75	3.23	8.20	3.27	8.66	3.32	8.89	3.35	9.57	3.41	10.03	3.46
	43	8.02	3.13	8.48	3.17	8.94	3.22	9.17	3.24	9.85	3.31	10.31	3.36
	40	8.30	3.02	8.76	3.06	9.21	3.12	9.44	3.14	10.12	3.21	10.59	3.25
	35	8.76	2.83	9.21	2.88	9.67	2.92	9.90	2.95	10.58	3.01	11.04	3.06
	32	9.04	2.75	9.49	2.79	9.95	2.85	10.18	2.86	10.86	2.94	11.32	2.97
	25	9.68	2.51	10.14	2.54	10.60	2.61	10.83	2.62	11.50	2.71	11.97	2.73
	22	9.96	2.41	10.42	2.44	10.87	2.51	11.10	2.51	11.78	2.60	12.24	2.63

Cooling

5 - rooms multisplit : 5 - units operation

Indoor units : 22 type + 10* type + 10* type + 10* type + 07* type
 24 type + 10* type + 10* type + 10* type + 07* type
 22 type + 13* type + 10* type + 10* type + 07* type
 24 type + 13* type + 10* type + 10* type + 07* type

22 type + 13* type + 13* type + 10* type + 07* type
 24 type + 13* type + 13* type + 10* type + 07* type
 22 type + 13* type + 13* type + 13* type + 07* type
 22 type + 10* type + 10* type + 10* type + 10* type

TC : Total capacity [kW]
 PI : Power input [kW]

Outdoor unit : RAS-5M34U2AVG-E

*Applicable indoor unit types are "PKV" series and "BKV" series only.

Combination (Capacity)	Outdoor air temp. [°C DB]	Indoor air temp. [°C WB]											
		14		16		18		19		22		24	
		TC [kW]	PI [kW]	TC [kW]	PI [kW]	TC [kW]	PI [kW]	TC [kW]	PI [kW]	TC [kW]	PI [kW]	TC [kW]	PI [kW]
22 + 10*+10*+10*+07*	46	7.75	3.23	8.20	3.27	8.66	3.32	8.89	3.35	9.57	3.41	10.03	3.46
	43	8.02	3.13	8.48	3.17	8.94	3.22	9.17	3.24	9.85	3.31	10.31	3.36
	40	8.30	3.02	8.76	3.06	9.21	3.12	9.44	3.14	10.12	3.21	10.59	3.25
	35	8.76	2.83	9.21	2.88	9.67	2.92	9.90	2.95	10.58	3.01	11.04	3.06
	32	9.04	2.75	9.49	2.79	9.95	2.85	10.18	2.86	10.86	2.94	11.32	2.97
	25	9.68	2.51	10.14	2.54	10.60	2.61	10.83	2.62	11.50	2.71	11.97	2.73
	22	9.96	2.41	10.42	2.44	10.87	2.51	11.10	2.51	11.78	2.60	12.24	2.63
24 + 10*+10*+10*+07*	46	7.75	3.23	8.20	3.27	8.66	3.32	8.89	3.35	9.57	3.41	10.03	3.46
	43	8.02	3.13	8.48	3.17	8.94	3.22	9.17	3.24	9.85	3.31	10.31	3.36
	40	8.30	3.02	8.76	3.06	9.21	3.12	9.44	3.14	10.12	3.21	10.59	3.25
	35	8.76	2.83	9.21	2.88	9.67	2.92	9.90	2.95	10.58	3.01	11.04	3.06
	32	9.04	2.75	9.49	2.79	9.95	2.85	10.18	2.86	10.86	2.94	11.32	2.97
	25	9.68	2.51	10.14	2.54	10.60	2.61	10.83	2.62	11.50	2.71	11.97	2.73
	22	9.96	2.41	10.42	2.44	10.87	2.51	11.10	2.51	11.78	2.60	12.24	2.63
22 + 13*+10*+10*+07*	46	7.75	3.23	8.20	3.27	8.66	3.32	8.89	3.35	9.57	3.41	10.03	3.46
	43	8.02	3.13	8.48	3.17	8.94	3.22	9.17	3.24	9.85	3.31	10.31	3.36
	40	8.30	3.02	8.76	3.06	9.21	3.12	9.44	3.14	10.12	3.21	10.59	3.25
	35	8.76	2.83	9.21	2.88	9.67	2.92	9.90	2.95	10.58	3.01	11.04	3.06
	32	9.04	2.75	9.49	2.79	9.95	2.85	10.18	2.86	10.86	2.94	11.32	2.97
	25	9.68	2.51	10.14	2.54	10.60	2.61	10.83	2.62	11.50	2.71	11.97	2.73
	22	9.96	2.41	10.42	2.44	10.87	2.51	11.10	2.51	11.78	2.60	12.24	2.63
24 + 13*+10*+10*+07*	46	7.75	3.23	8.20	3.27	8.66	3.32	8.89	3.35	9.57	3.41	10.03	3.46
	43	8.02	3.13	8.48	3.17	8.94	3.22	9.17	3.24	9.85	3.31	10.31	3.36
	40	8.30	3.02	8.76	3.06	9.21	3.12	9.44	3.14	10.12	3.21	10.59	3.25
	35	8.76	2.83	9.21	2.88	9.67	2.92	9.90	2.95	10.58	3.01	11.04	3.06
	32	9.04	2.75	9.49	2.79	9.95	2.85	10.18	2.86	10.86	2.94	11.32	2.97
	25	9.68	2.51	10.14	2.54	10.60	2.61	10.83	2.62	11.50	2.71	11.97	2.73
	22	9.96	2.41	10.42	2.44	10.87	2.51	11.10	2.51	11.78	2.60	12.24	2.63
22 + 13*+13*+10*+07*	46	7.82	3.26	8.29	3.31	8.75	3.36	8.98	3.39	9.67	3.45	10.13	3.50
	43	8.10	3.16	8.57	3.21	9.03	3.25	9.26	3.28	9.95	3.35	10.41	3.40
	40	8.38	3.06	8.84	3.10	9.31	3.15	9.54	3.18	10.23	3.25	10.69	3.29
	35	8.84	2.86	9.31	2.91	9.77	2.96	10.00	2.98	10.69	3.05	11.15	3.10
	32	9.13	2.78	9.59	2.82	10.05	2.88	10.28	2.89	10.97	2.97	11.44	3.01
	25	9.78	2.54	10.24	2.57	10.70	2.64	10.94	2.65	11.62	2.74	12.09	2.76
	22	10.06	2.44	10.52	2.46	10.98	2.54	11.22	2.54	11.90	2.63	12.37	2.66
24 + 13*+13*+10*+07*	46	7.82	3.26	8.29	3.31	8.75	3.36	8.98	3.39	9.67	3.45	10.13	3.50
	43	8.10	3.16	8.57	3.21	9.03	3.25	9.26	3.28	9.95	3.35	10.41	3.40
	40	8.38	3.06	8.84	3.10	9.31	3.15	9.54	3.18	10.23	3.25	10.69	3.29
	35	8.84	2.86	9.31	2.91	9.77	2.96	10.00	2.98	10.69	3.05	11.15	3.10
	32	9.13	2.78	9.59	2.82	10.05	2.88	10.28	2.89	10.97	2.97	11.44	3.01
	25	9.78	2.54	10.24	2.57	10.70	2.64	10.94	2.65	11.62	2.74	12.09	2.76
	22	10.06	2.44	10.52	2.46	10.98	2.54	11.22	2.54	11.90	2.63	12.37	2.66
22 + 13*+13*+13*+07*	46	7.82	3.26	8.29	3.31	8.75	3.36	8.98	3.39	9.67	3.45	10.13	3.50
	43	8.10	3.16	8.57	3.21	9.03	3.25	9.26	3.28	9.95	3.35	10.41	3.40
	40	8.38	3.06	8.84	3.10	9.31	3.15	9.54	3.18	10.23	3.25	10.69	3.29
	35	8.84	2.86	9.31	2.91	9.77	2.96	10.00	2.98	10.69	3.05	11.15	3.10
	32	9.13	2.78	9.59	2.82	10.05	2.88	10.28	2.89	10.97	2.97	11.44	3.01
	25	9.78	2.54	10.24	2.57	10.70	2.64	10.94	2.65	11.62	2.74	12.09	2.76
	22	10.06	2.44	10.52	2.46	10.98	2.54	11.22	2.54	11.90	2.63	12.37	2.66
22 + 10*+10*+10*+10*	46	7.75	3.23	8.20	3.27	8.66	3.32	8.89	3.35	9.57	3.41	10.03	3.46
	43	8.02	3.13	8.48	3.17	8.94	3.22	9.17	3.24	9.85	3.31	10.31	3.36
	40	8.30	3.02	8.76	3.06	9.21	3.12	9.44	3.14	10.12	3.21	10.59	3.25
	35	8.76	2.83	9.21	2.88	9.67	2.92	9.90	2.95	10.58	3.01	11.04	3.06
	32	9.04	2.75	9.49	2.79	9.95	2.85	10.18	2.86	10.86	2.94	11.32	2.97
	25	9.68	2.51	10.14	2.54	10.60	2.61	10.83	2.62	11.50	2.71	11.97	2.73
	22	9.96	2.41	10.42	2.44	10.87	2.51	11.10	2.51	11.78	2.60	12.24	2.63

Cooling

5 - rooms multisplit : 5 - units operation

Indoor units : 24 type + 10* type + 10* type + 10* type + 10* type
 22 type + 13* type + 10* type + 10* type + 10* type
 24 type + 13* type + 10* type + 10* type + 10* type
 22 type + 13* type + 13* type + 10* type + 10* type

TC : Total capacity [kW]
 PI : Power input [kW]

Outdoor unit : RAS-5M34U2AVG-E *Applicable indoor unit types are "PKV" series and "BKV" series only.

Combination (Capacity)	Outdoor air temp. [°C DB]	Indoor air temp. [°C WB]											
		14		16		18		19		22		24	
		TC [kW]	PI [kW]	TC [kW]	PI [kW]	TC [kW]	PI [kW]	TC [kW]	PI [kW]	TC [kW]	PI [kW]	TC [kW]	PI [kW]
24 + 10*+10*+10*+10*	46	7.75	3.23	8.20	3.27	8.66	3.32	8.89	3.35	9.57	3.41	10.03	3.46
	43	8.02	3.13	8.48	3.17	8.94	3.22	9.17	3.24	9.85	3.31	10.31	3.36
	40	8.30	3.02	8.76	3.06	9.21	3.12	9.44	3.14	10.12	3.21	10.59	3.25
	35	8.76	2.83	9.21	2.88	9.67	2.92	9.90	2.95	10.58	3.01	11.04	3.06
	32	9.04	2.75	9.49	2.79	9.95	2.85	10.18	2.86	10.86	2.94	11.32	2.97
	25	9.68	2.51	10.14	2.54	10.60	2.61	10.83	2.62	11.50	2.71	11.97	2.73
	22	9.96	2.41	10.42	2.44	10.87	2.51	11.10	2.51	11.78	2.60	12.24	2.63
22 + 13*+10*+10*+10*	46	7.82	3.26	8.29	3.31	8.75	3.36	8.98	3.39	9.67	3.45	10.13	3.50
	43	8.10	3.16	8.57	3.21	9.03	3.25	9.26	3.28	9.95	3.35	10.41	3.40
	40	8.38	3.06	8.84	3.10	9.31	3.15	9.54	3.18	10.23	3.25	10.69	3.29
	35	8.84	2.86	9.31	2.91	9.77	2.96	10.00	2.98	10.69	3.05	11.15	3.10
	32	9.13	2.78	9.59	2.82	10.05	2.88	10.28	2.89	10.97	2.97	11.44	3.01
	25	9.78	2.54	10.24	2.57	10.70	2.64	10.94	2.65	11.62	2.74	12.09	2.76
	22	10.06	2.44	10.52	2.46	10.98	2.54	11.22	2.54	11.90	2.63	12.37	2.66
24 + 13*+10*+10*+10*	46	7.82	3.26	8.29	3.31	8.75	3.36	8.98	3.39	9.67	3.45	10.13	3.50
	43	8.10	3.16	8.57	3.21	9.03	3.25	9.26	3.28	9.95	3.35	10.41	3.40
	40	8.38	3.06	8.84	3.10	9.31	3.15	9.54	3.18	10.23	3.25	10.69	3.29
	35	8.84	2.86	9.31	2.91	9.77	2.96	10.00	2.98	10.69	3.05	11.15	3.10
	32	9.13	2.78	9.59	2.82	10.05	2.88	10.28	2.89	10.97	2.97	11.44	3.01
	25	9.78	2.54	10.24	2.57	10.70	2.64	10.94	2.65	11.62	2.74	12.09	2.76
	22	10.06	2.44	10.52	2.46	10.98	2.54	11.22	2.54	11.90	2.63	12.37	2.66
22 + 13*+13*+10*+10*	46	7.82	3.26	8.29	3.31	8.75	3.36	8.98	3.39	9.67	3.45	10.13	3.50
	43	8.10	3.16	8.57	3.21	9.03	3.25	9.26	3.28	9.95	3.35	10.41	3.40
	40	8.38	3.06	8.84	3.10	9.31	3.15	9.54	3.18	10.23	3.25	10.69	3.29
	35	8.84	2.86	9.31	2.91	9.77	2.96	10.00	2.98	10.69	3.05	11.15	3.10
	32	9.13	2.78	9.59	2.82	10.05	2.88	10.28	2.89	10.97	2.97	11.44	3.01
	25	9.78	2.54	10.24	2.57	10.70	2.64	10.94	2.65	11.62	2.74	12.09	2.76
	22	10.06	2.44	10.52	2.46	10.98	2.54	11.22	2.54	11.90	2.63	12.37	2.66

Heating

5 - rooms multisplit : 1 - unit operation

Indoor units : 05 type 16 type
 07 type 18 type
 10 type 22 type
 13 type 24 type

Outdoor unit : RAS-5M34U2AVG-E

TC : Total capacity[kW]

PI : Power input [kW]

Combination (Capacity)	Outdoor air temp. [°C WB]	Indoor air temp. [°C DB]											
		16		18		20		21		22		24	
		TC [kW]	PI [kW]	TC [kW]	PI [kW]	TC [kW]	PI [kW]	TC [kW]	PI [kW]	TC [kW]	PI [kW]	TC [kW]	PI [kW]
05	15	2.46	0.63	2.43	0.64	2.41	0.65	2.39	0.65	2.38	0.65	2.35	0.65
	10	2.24	0.61	2.21	0.61	2.18	0.62	2.17	0.62	2.15	0.62	2.12	0.63
	6	2.06	0.59	2.03	0.59	2.00	0.60	1.99	0.60	1.97	0.60	1.94	0.61
	0	1.78	0.56	1.76	0.57	1.73	0.57	1.72	0.57	1.70	0.57	1.67	0.58
	-5	1.56	0.54	1.53	0.54	1.50	0.55	1.49	0.55	1.48	0.55	1.45	0.55
	-10	1.33	0.51	1.31	0.52	1.28	0.52	1.26	0.52	1.25	0.52	1.22	0.53
	-15	1.11	0.49	1.08	0.49	1.05	0.50	1.04	0.50	1.02	0.50	1.00	0.50
07	15	3.32	0.95	3.29	0.96	3.25	0.97	3.23	0.97	3.21	0.97	3.17	0.98
	10	3.02	0.92	2.98	0.92	2.94	0.93	2.92	0.93	2.91	0.93	2.87	0.94
	6	2.77	0.89	2.74	0.89	2.70	0.90	2.68	0.90	2.66	0.90	2.62	0.91
	0	2.41	0.84	2.37	0.85	2.33	0.86	2.32	0.86	2.30	0.86	2.26	0.86
	-5	2.10	0.81	2.07	0.81	2.03	0.82	2.01	0.82	1.99	0.82	1.96	0.83
	-10	1.80	0.77	1.76	0.77	1.73	0.78	1.71	0.78	1.69	0.78	1.65	0.79
	-15	1.49	0.73	1.46	0.74	1.42	0.74	1.40	0.75	1.38	0.75	1.35	0.75
10	15	4.92	1.53	4.87	1.54	4.81	1.56	4.79	1.56	4.76	1.56	4.70	1.57
	10	4.47	1.47	4.42	1.48	4.36	1.50	4.33	1.50	4.31	1.50	4.25	1.51
	6	4.11	1.43	4.05	1.44	4.00	1.45	3.97	1.45	3.94	1.45	3.89	1.46
	0	3.57	1.36	3.51	1.37	3.46	1.38	3.43	1.38	3.40	1.38	3.35	1.39
	-5	3.12	1.30	3.06	1.31	3.01	1.32	2.98	1.32	2.95	1.32	2.90	1.33
	-10	2.67	1.24	2.61	1.25	2.56	1.26	2.53	1.26	2.50	1.26	2.44	1.27
	-15	2.21	1.18	2.16	1.19	2.10	1.20	2.08	1.20	2.05	1.20	1.99	1.21
13	15	6.15	2.17	6.09	2.18	6.02	2.20	5.98	2.21	5.95	2.21	5.88	2.22
	10	5.59	2.08	5.52	2.10	5.45	2.12	5.42	2.13	5.38	2.13	5.31	2.14
	6	5.14	2.02	5.07	2.03	5.00	2.05	4.96	2.06	4.93	2.06	4.86	2.07
	0	4.46	1.92	4.39	1.93	4.32	1.95	4.29	1.96	4.26	1.96	4.19	1.97
	-5	3.90	1.83	3.83	1.85	3.76	1.87	3.73	1.87	3.69	1.87	3.62	1.88
	-10	3.33	1.75	3.26	1.76	3.19	1.78	3.16	1.79	3.12	1.79	3.06	1.80
	-15	2.77	1.67	2.70	1.68	2.63	1.70	2.60	1.70	2.56	1.70	2.49	1.71
16	15	6.77	2.54	6.69	2.56	6.62	2.58	6.58	2.59	6.54	2.59	6.47	2.60
	10	6.15	2.44	6.07	2.46	6.00	2.48	5.96	2.49	5.92	2.49	5.84	2.50
	6	5.65	2.36	5.58	2.38	5.50	2.40	5.46	2.41	5.42	2.41	5.35	2.42
	0	4.91	2.25	4.83	2.26	4.76	2.28	4.72	2.29	4.68	2.29	4.60	2.30
	-5	4.29	2.15	4.21	2.16	4.13	2.18	4.10	2.19	4.06	2.19	3.98	2.20
	-10	3.67	2.05	3.59	2.06	3.51	2.08	3.48	2.09	3.44	2.09	3.36	2.10
	-15	3.05	1.95	2.97	1.97	2.89	1.99	2.86	1.99	2.82	1.99	2.74	2.00
18	15	7.38	2.78	7.30	2.80	7.22	2.83	7.18	2.84	7.14	2.84	7.05	2.85
	10	6.71	2.67	6.62	2.69	6.54	2.72	6.50	2.73	6.46	2.73	6.37	2.74
	6	6.17	2.59	6.08	2.60	6.00	2.63	5.96	2.64	5.92	2.64	5.83	2.65
	0	5.35	2.46	5.27	2.48	5.19	2.50	5.15	2.51	5.11	2.51	5.02	2.52
	-5	4.68	2.35	4.59	2.37	4.51	2.39	4.47	2.40	4.43	2.40	4.35	2.41
	-10	4.00	2.25	3.92	2.26	3.83	2.28	3.79	2.29	3.75	2.29	3.67	2.31
	-15	3.32	2.14	3.24	2.15	3.16	2.18	3.11	2.18	3.07	2.18	2.99	2.20
22	15	8.62	2.86	8.52	2.87	8.42	2.90	8.37	2.91	8.33	2.91	8.23	2.93
	10	7.82	2.75	7.73	2.76	7.63	2.79	7.58	2.80	7.53	2.80	7.44	2.82
	6	7.19	2.66	7.10	2.67	7.00	2.70	6.95	2.71	6.90	2.71	6.81	2.72
	0	6.25	2.53	6.15	2.54	6.05	2.57	6.01	2.58	5.96	2.58	5.86	2.59
	-5	5.46	2.42	5.36	2.43	5.26	2.46	5.22	2.46	5.17	2.46	5.07	2.48
	-10	4.67	2.31	4.57	2.32	4.47	2.34	4.42	2.35	4.37	2.35	4.28	2.37
	-15	3.88	2.20	3.78	2.21	3.68	2.23	3.63	2.24	3.59	2.24	3.49	2.25
24	15	9.97	3.49	9.86	3.51	9.74	3.55	9.69	3.56	9.63	3.56	9.52	3.58
	10	9.05	3.36	8.94	3.38	8.83	3.41	8.77	3.42	8.72	3.42	8.61	3.44
	6	8.32	3.25	8.21	3.27	8.10	3.30	8.04	3.31	7.99	3.31	7.87	3.33
	0	7.23	3.09	7.12	3.11	7.00	3.14	6.95	3.15	6.89	3.15	6.78	3.17
	-5	6.31	2.95	6.20	2.97	6.09	3.00	6.04	3.01	5.98	3.01	5.87	3.03
	-10	5.40	2.82	5.29	2.84	5.18	2.87	5.12	2.87	5.06	2.87	4.95	2.89
	-15	4.48	2.68	4.37	2.70	4.26	2.73	4.20	2.74	4.15	2.74	4.04	2.75

Heating

5 - rooms multisplit : 2 - units operation

Indoor units : 05 type + 05 type 16 type + 05 type
 07 type + 05 type 18 type + 05 type
 10 type + 05 type 22 type + 05 type
 13 type + 05 type 24 type + 05 type

TC : Total capacity [kW]

PI : Power input [kW]

Outdoor unit : RAS-5M34U2AVG-E

Combination (Capacity)	Outdoor air temp. [°C WB]	Indoor air temp. [°C DB]											
		16		18		20		21		22		24	
		TC [kW]	PI [kW]	TC [kW]	PI [kW]	TC [kW]	PI [kW]	TC [kW]	PI [kW]	TC [kW]	PI [kW]	TC [kW]	PI [kW]
05 + 05	15	4.92	1.20	4.87	1.20	4.81	1.22	4.79	1.22	4.76	1.22	4.70	1.23
	10	4.47	1.15	4.42	1.16	4.36	1.17	4.33	1.17	4.31	1.17	4.25	1.18
	6	4.11	1.11	4.05	1.12	4.00	1.13	3.97	1.13	3.94	1.13	3.89	1.14
	0	3.57	1.06	3.51	1.06	3.46	1.07	3.43	1.08	3.40	1.08	3.35	1.08
	-5	3.12	1.01	3.06	1.02	3.01	1.03	2.98	1.03	2.95	1.03	2.90	1.04
	-10	2.67	0.97	2.61	0.97	2.56	0.98	2.53	0.98	2.50	0.98	2.44	0.99
	-15	2.21	0.92	2.16	0.93	2.10	0.93	2.08	0.94	2.05	0.94	1.99	0.94
07 + 05	15	5.78	1.42	5.72	1.43	5.65	1.44	5.62	1.44	5.59	1.44	5.53	1.45
	10	5.25	1.36	5.19	1.37	5.12	1.39	5.09	1.39	5.06	1.39	4.99	1.40
	6	4.83	1.32	4.76	1.33	4.70	1.34	4.67	1.34	4.63	1.34	4.57	1.35
	0	4.19	1.25	4.13	1.26	4.06	1.27	4.03	1.28	4.00	1.28	3.93	1.29
	-5	3.66	1.20	3.60	1.21	3.53	1.22	3.50	1.22	3.47	1.22	3.40	1.23
	-10	3.13	1.14	3.07	1.15	3.00	1.16	2.97	1.17	2.94	1.17	2.87	1.17
	-15	2.60	1.09	2.54	1.10	2.47	1.11	2.44	1.11	2.41	1.11	2.34	1.12
10 + 05	15	7.38	1.85	7.30	1.86	7.22	1.88	7.18	1.89	7.14	1.89	7.05	1.90
	10	6.71	1.78	6.62	1.79	6.54	1.81	6.50	1.81	6.46	1.81	6.37	1.83
	6	6.17	1.72	6.08	1.73	6.00	1.75	5.96	1.75	5.92	1.75	5.83	1.77
	0	5.35	1.64	5.27	1.65	5.19	1.66	5.15	1.67	5.11	1.67	5.02	1.68
	-5	4.68	1.57	4.59	1.58	4.51	1.59	4.47	1.60	4.43	1.60	4.35	1.61
	-10	4.00	1.50	3.92	1.50	3.83	1.52	3.79	1.52	3.75	1.52	3.67	1.53
	-15	3.32	1.42	3.24	1.43	3.16	1.45	3.11	1.45	3.07	1.45	2.99	1.46
13 + 05	15	8.62	2.18	8.52	2.19	8.42	2.22	8.37	2.22	8.33	2.22	8.23	2.24
	10	7.82	2.10	7.73	2.11	7.63	2.13	7.58	2.14	7.53	2.14	7.44	2.15
	6	7.19	2.03	7.10	2.04	7.00	2.06	6.95	2.07	6.90	2.07	6.81	2.08
	0	6.25	1.93	6.15	1.94	6.05	1.96	6.01	1.96	5.96	1.96	5.86	1.98
	-5	5.46	1.84	5.36	1.86	5.26	1.87	5.22	1.88	5.17	1.88	5.07	1.89
	-10	4.67	1.76	4.57	1.77	4.47	1.79	4.42	1.79	4.37	1.79	4.28	1.81
	-15	3.88	1.68	3.78	1.69	3.68	1.70	3.63	1.71	3.59	1.71	3.49	1.72
16 + 05	15	9.23	2.38	9.13	2.40	9.02	2.42	8.97	2.43	8.92	2.43	8.82	2.44
	10	8.38	2.29	8.28	2.30	8.18	2.33	8.12	2.33	8.07	2.33	7.97	2.35
	6	7.71	2.21	7.60	2.23	7.50	2.25	7.45	2.26	7.39	2.26	7.29	2.27
	0	6.69	2.11	6.59	2.12	6.48	2.14	6.43	2.15	6.38	2.15	6.28	2.16
	-5	5.85	2.01	5.74	2.03	5.64	2.05	5.59	2.05	5.54	2.05	5.43	2.07
	-10	5.00	1.92	4.90	1.93	4.79	1.95	4.74	1.96	4.69	1.96	4.58	1.97
	-15	4.15	1.83	4.05	1.84	3.95	1.86	3.89	1.87	3.84	1.87	3.74	1.88
18 + 05	15	9.85	2.48	9.74	2.49	9.62	2.52	9.57	2.52	9.52	2.52	9.41	2.54
	10	8.94	2.38	8.83	2.40	8.72	2.42	8.67	2.43	8.61	2.43	8.50	2.44
	6	8.22	2.30	8.11	2.32	8.00	2.34	7.94	2.35	7.89	2.35	7.78	2.36
	0	7.14	2.19	7.03	2.20	6.92	2.23	6.86	2.23	6.81	2.23	6.70	2.25
	-5	6.24	2.09	6.13	2.11	6.01	2.13	5.96	2.14	5.91	2.14	5.80	2.15
	-10	5.33	2.00	5.22	2.01	5.11	2.03	5.06	2.04	5.00	2.04	4.89	2.05
	-15	4.43	1.90	4.32	1.92	4.21	1.94	4.15	1.94	4.10	1.94	3.99	1.95
22 + 05	15	10.22	2.54	10.10	2.56	9.99	2.58	9.93	2.59	9.87	2.59	9.76	2.60
	10	9.28	2.44	9.16	2.46	9.05	2.48	8.99	2.49	8.93	2.49	8.82	2.50
	6	8.53	2.36	8.41	2.38	8.30	2.40	8.24	2.41	8.18	2.41	8.07	2.42
	0	7.41	2.25	7.29	2.26	7.18	2.28	7.12	2.29	7.06	2.29	6.95	2.30
	-5	6.47	2.15	6.36	2.16	6.24	2.18	6.18	2.19	6.13	2.19	6.01	2.20
	-10	5.53	2.05	5.42	2.06	5.30	2.08	5.24	2.09	5.19	2.09	5.07	2.10
	-15	4.60	1.95	4.48	1.97	4.37	1.99	4.31	1.99	4.25	1.99	4.14	2.00
24 + 05	15	10.22	2.61	10.10	2.63	9.99	2.66	9.93	2.66	9.87	2.66	9.76	2.68
	10	9.28	2.51	9.16	2.53	9.05	2.55	8.99	2.56	8.93	2.56	8.82	2.58
	6	8.53	2.43	8.41	2.45	8.30	2.47	8.24	2.48	8.18	2.48	8.07	2.49
	0	7.41	2.31	7.29	2.33	7.18	2.35	7.12	2.36	7.06	2.36	6.95	2.37
	-5	6.47	2.21	6.36	2.22	6.24	2.25	6.18	2.25	6.13	2.25	6.01	2.27
	-10	5.53	2.11	5.42	2.12	5.30	2.15	5.24	2.15	5.19	2.15	5.07	2.16
	-15	4.60	2.01	4.48	2.02	4.37	2.04	4.31	2.05	4.25	2.05	4.14	2.06

Heating

5 - rooms multisplit : 2 - units operation

Indoor units : 07 type + 07 type 18 type + 07 type
 10 type + 07 type 22 type + 07 type
 13 type + 07 type 24 type + 07 type
 16 type + 07 type 10 type + 10 type

TC : Total capacity [kW]

PI : Power input [kW]

Outdoor unit : RAS-5M34U2AVG-E

Combination (Capacity)	Outdoor air temp. [°C WB]	Indoor air temp. [°C DB]											
		16		18		20		21		22		24	
		TC [kW]	PI [kW]	TC [kW]	PI [kW]	TC [kW]	PI [kW]	TC [kW]	PI [kW]	TC [kW]	PI [kW]	TC [kW]	PI [kW]
07 + 07	15	6.65	1.59	6.57	1.60	6.50	1.61	6.46	1.62	6.42	1.62	6.35	1.63
	10	6.04	1.53	5.96	1.54	5.89	1.55	5.85	1.56	5.81	1.56	5.74	1.57
	6	5.55	1.48	5.47	1.49	5.40	1.50	5.36	1.50	5.32	1.50	5.25	1.51
	0	4.82	1.40	4.74	1.41	4.67	1.43	4.63	1.43	4.60	1.43	4.52	1.44
	-5	4.21	1.34	4.14	1.35	4.06	1.36	4.02	1.37	3.99	1.37	3.91	1.38
	-10	3.60	1.28	3.52	1.29	3.45	1.30	3.41	1.31	3.37	1.31	3.30	1.31
	-15	2.99	1.22	2.92	1.23	2.84	1.24	2.80	1.24	2.77	1.24	2.69	1.25
10 + 07	15	8.25	2.01	8.15	2.02	8.06	2.04	8.02	2.05	7.97	2.05	7.88	2.06
	10	7.49	1.93	7.40	1.94	7.30	1.96	7.26	1.97	7.21	1.97	7.12	1.98
	6	6.88	1.87	6.79	1.88	6.70	1.90	6.65	1.91	6.61	1.91	6.51	1.92
	0	5.98	1.78	5.89	1.79	5.79	1.81	5.75	1.81	5.70	1.81	5.61	1.82
	-5	5.22	1.70	5.13	1.71	5.04	1.73	4.99	1.73	4.95	1.73	4.85	1.74
	-10	4.47	1.62	4.37	1.63	4.28	1.65	4.23	1.65	4.19	1.65	4.09	1.67
	-15	3.71	1.55	3.62	1.56	3.53	1.57	3.48	1.58	3.43	1.58	3.34	1.59
13 + 07	15	9.11	2.35	9.01	2.36	8.90	2.39	8.85	2.39	8.80	2.39	8.70	2.41
	10	8.27	2.26	8.17	2.27	8.07	2.30	8.02	2.30	7.96	2.30	7.86	2.32
	6	7.60	2.18	7.50	2.20	7.40	2.22	7.35	2.23	7.30	2.23	7.19	2.24
	0	6.60	2.08	6.50	2.09	6.40	2.11	6.35	2.12	6.30	2.12	6.20	2.13
	-5	5.77	1.99	5.67	2.00	5.56	2.02	5.51	2.03	5.46	2.03	5.36	2.04
	-10	4.93	1.90	4.83	1.91	4.73	1.93	4.68	1.93	4.62	1.93	4.52	1.95
	-15	4.10	1.81	3.99	1.82	3.89	1.84	3.84	1.84	3.79	1.84	3.69	1.85
16 + 07	15	9.35	2.62	9.25	2.64	9.14	2.67	9.09	2.67	9.04	2.67	8.94	2.69
	10	8.50	2.52	8.39	2.54	8.29	2.56	8.23	2.57	8.18	2.57	8.07	2.59
	6	7.81	2.44	7.70	2.46	7.60	2.48	7.55	2.49	7.49	2.49	7.39	2.50
	0	6.78	2.32	6.68	2.34	6.57	2.36	6.52	2.37	6.47	2.37	6.36	2.38
	-5	5.92	2.22	5.82	2.23	5.71	2.26	5.66	2.26	5.61	2.26	5.51	2.28
	-10	5.07	2.12	4.96	2.13	4.86	2.15	4.80	2.16	4.75	2.16	4.64	2.17
	-15	4.21	2.02	4.10	2.03	4.00	2.05	3.95	2.06	3.89	2.06	3.79	2.07
18 + 07	15	9.72	2.62	9.61	2.64	9.50	2.67	9.45	2.67	9.40	2.67	9.29	2.69
	10	8.83	2.52	8.72	2.54	8.61	2.56	8.56	2.57	8.50	2.57	8.39	2.59
	6	8.12	2.44	8.01	2.46	7.90	2.48	7.84	2.49	7.79	2.49	7.68	2.50
	0	7.05	2.32	6.94	2.34	6.83	2.36	6.78	2.37	6.72	2.37	6.61	2.38
	-5	6.16	2.22	6.05	2.23	5.94	2.26	5.89	2.26	5.83	2.26	5.72	2.28
	-10	5.27	2.12	5.16	2.13	5.05	2.15	4.99	2.16	4.94	2.16	4.83	2.17
	-15	4.37	2.02	4.26	2.03	4.16	2.05	4.10	2.06	4.05	2.06	3.94	2.07
22 + 07	15	9.72	2.62	9.61	2.64	9.50	2.67	9.45	2.67	9.40	2.67	9.29	2.69
	10	8.83	2.52	8.72	2.54	8.61	2.56	8.56	2.57	8.50	2.57	8.39	2.59
	6	8.12	2.44	8.01	2.46	7.90	2.48	7.84	2.49	7.79	2.49	7.68	2.50
	0	7.05	2.32	6.94	2.34	6.83	2.36	6.78	2.37	6.72	2.37	6.61	2.38
	-5	6.16	2.22	6.05	2.23	5.94	2.26	5.89	2.26	5.83	2.26	5.72	2.28
	-10	5.27	2.12	5.16	2.13	5.05	2.15	4.99	2.16	4.94	2.16	4.83	2.17
	-15	4.37	2.02	4.26	2.03	4.16	2.05	4.10	2.06	4.05	2.06	3.94	2.07
24 + 07	15	10.22	2.86	10.10	2.87	9.99	2.90	9.93	2.91	9.87	2.91	9.76	2.93
	10	9.28	2.75	9.16	2.76	9.05	2.79	8.99	2.80	8.93	2.80	8.82	2.82
	6	8.53	2.66	8.41	2.67	8.30	2.70	8.24	2.71	8.18	2.71	8.07	2.72
	0	7.41	2.53	7.29	2.54	7.18	2.57	7.12	2.58	7.06	2.58	6.95	2.59
	-5	6.47	2.42	6.36	2.43	6.24	2.46	6.18	2.46	6.13	2.46	6.01	2.48
	-10	5.53	2.31	5.42	2.32	5.30	2.34	5.24	2.35	5.19	2.35	5.07	2.37
	-15	4.60	2.20	4.48	2.21	4.37	2.23	4.31	2.24	4.25	2.24	4.14	2.25
10 + 10	15	8.86	2.22	8.76	2.24	8.66	2.26	8.61	2.26	8.56	2.26	8.47	2.28
	10	8.05	2.14	7.95	2.15	7.85	2.17	7.80	2.18	7.75	2.18	7.65	2.19
	6	7.40	2.07	7.30	2.08	7.20	2.10	7.15	2.11	7.10	2.11	7.00	2.12
	0	6.42	1.96	6.33	1.98	6.23	2.00	6.18	2.00	6.13	2.00	6.03	2.02
	-5	5.61	1.88	5.51	1.89	5.41	1.91	5.36	1.92	5.32	1.92	5.22	1.93
	-10	4.80	1.79	4.70	1.81	4.60	1.82	4.55	1.83	4.50	1.83	4.40	1.84
	-15	3.99	1.71	3.89	1.72	3.79	1.74	3.74	1.74	3.69	1.74	3.59	1.75

Heating

5 - rooms multisplit : 2 - units operation

Indoor units : 13 type + 10 type 24 type + 10 type
 16 type + 10 type 13 type + 13 type
 18 type + 10 type 16 type + 13 type
 22 type + 10 type 18 type + 13 type

Outdoor unit : RAS-5M34U2AVG-E

TC : Total capacity [kW]

PI : Power input [kW]

Combination (Capacity)	Outdoor air temp. [°C WB]	Indoor air temp. [°C DB]											
		16		18		20		21		22		24	
		TC [kW]	PI [kW]	TC [kW]	PI [kW]	TC [kW]	PI [kW]	TC [kW]	PI [kW]	TC [kW]	PI [kW]	TC [kW]	PI [kW]
13 + 10	15	9.35	2.45	9.25	2.47	9.14	2.49	9.09	2.50	9.04	2.50	8.94	2.52
	10	8.50	2.36	8.39	2.37	8.29	2.40	8.23	2.41	8.18	2.41	8.07	2.42
	6	7.81	2.28	7.70	2.30	7.60	2.32	7.55	2.33	7.49	2.33	7.39	2.34
	0	6.78	2.17	6.68	2.18	6.57	2.21	6.52	2.21	6.47	2.21	6.36	2.23
	-5	5.92	2.08	5.82	2.09	5.71	2.11	5.66	2.12	5.61	2.12	5.51	2.13
	-10	5.07	1.98	4.96	1.99	4.86	2.01	4.80	2.02	4.75	2.02	4.64	2.03
	-15	4.21	1.89	4.10	1.90	4.00	1.92	3.95	1.92	3.89	1.92	3.79	1.94
16 + 10	15	9.72	2.62	9.61	2.64	9.50	2.67	9.45	2.67	9.40	2.67	9.29	2.69
	10	8.83	2.52	8.72	2.54	8.61	2.56	8.56	2.57	8.50	2.57	8.39	2.59
	6	8.12	2.44	8.01	2.46	7.90	2.48	7.84	2.49	7.79	2.49	7.68	2.50
	0	7.05	2.32	6.94	2.34	6.83	2.36	6.78	2.37	6.72	2.37	6.61	2.38
	-5	6.16	2.22	6.05	2.23	5.94	2.26	5.89	2.26	5.83	2.26	5.72	2.28
	-10	5.27	2.12	5.16	2.13	5.05	2.15	4.99	2.16	4.94	2.16	4.83	2.17
	-15	4.37	2.02	4.26	2.03	4.16	2.05	4.10	2.06	4.05	2.06	3.94	2.07
18 + 10	15	9.72	2.62	9.61	2.64	9.50	2.67	9.45	2.67	9.40	2.67	9.29	2.69
	10	8.83	2.52	8.72	2.54	8.61	2.56	8.56	2.57	8.50	2.57	8.39	2.59
	6	8.12	2.44	8.01	2.46	7.90	2.48	7.84	2.49	7.79	2.49	7.68	2.50
	0	7.05	2.32	6.94	2.34	6.83	2.36	6.78	2.37	6.72	2.37	6.61	2.38
	-5	6.16	2.22	6.05	2.23	5.94	2.26	5.89	2.26	5.83	2.26	5.72	2.28
	-10	5.27	2.12	5.16	2.13	5.05	2.15	4.99	2.16	4.94	2.16	4.83	2.17
	-15	4.37	2.02	4.26	2.03	4.16	2.05	4.10	2.06	4.05	2.06	3.94	2.07
22 + 10	15	10.22	2.86	10.10	2.87	9.99	2.90	9.93	2.91	9.87	2.91	9.76	2.93
	10	9.28	2.75	9.16	2.76	9.05	2.79	8.99	2.80	8.93	2.80	8.82	2.82
	6	8.53	2.66	8.41	2.67	8.30	2.70	8.24	2.71	8.18	2.71	8.07	2.72
	0	7.41	2.53	7.29	2.54	7.18	2.57	7.12	2.58	7.06	2.58	6.95	2.59
	-5	6.47	2.42	6.36	2.43	6.24	2.46	6.18	2.46	6.13	2.46	6.01	2.48
	-10	5.53	2.31	5.42	2.32	5.30	2.34	5.24	2.35	5.19	2.35	5.07	2.37
	-15	4.60	2.20	4.48	2.21	4.37	2.23	4.31	2.24	4.25	2.24	4.14	2.25
24 + 10	15	10.58	3.03	10.47	3.04	10.35	3.08	10.29	3.08	10.23	3.08	10.11	3.10
	10	9.61	2.91	9.49	2.93	9.38	2.96	9.32	2.97	9.26	2.97	9.14	2.98
	6	8.84	2.81	8.72	2.83	8.60	2.86	8.54	2.87	8.48	2.87	8.36	2.89
	0	7.67	2.68	7.56	2.69	7.44	2.72	7.38	2.73	7.32	2.73	7.20	2.75
	-5	6.70	2.56	6.59	2.58	6.47	2.60	6.41	2.61	6.35	2.61	6.23	2.63
	-10	5.73	2.44	5.61	2.46	5.50	2.48	5.43	2.49	5.37	2.49	5.26	2.51
	-15	4.76	2.33	4.64	2.34	4.53	2.37	4.46	2.37	4.40	2.37	4.29	2.39
13 + 13	15	9.72	2.62	9.61	2.64	9.50	2.67	9.45	2.67	9.40	2.67	9.29	2.69
	10	8.83	2.52	8.72	2.54	8.61	2.56	8.56	2.57	8.50	2.57	8.39	2.59
	6	8.12	2.44	8.01	2.46	7.90	2.48	7.84	2.49	7.79	2.49	7.68	2.50
	0	7.05	2.32	6.94	2.34	6.83	2.36	6.78	2.37	6.72	2.37	6.61	2.38
	-5	6.16	2.22	6.05	2.23	5.94	2.26	5.89	2.26	5.83	2.26	5.72	2.28
	-10	5.27	2.12	5.16	2.13	5.05	2.15	4.99	2.16	4.94	2.16	4.83	2.17
	-15	4.37	2.02	4.26	2.03	4.16	2.05	4.10	2.06	4.05	2.06	3.94	2.07
16 + 13	15	10.22	2.86	10.10	2.87	9.99	2.90	9.93	2.91	9.87	2.91	9.76	2.93
	10	9.28	2.75	9.16	2.76	9.05	2.79	8.99	2.80	8.93	2.80	8.82	2.82
	6	8.53	2.66	8.41	2.67	8.30	2.70	8.24	2.71	8.18	2.71	8.07	2.72
	0	7.41	2.53	7.29	2.54	7.18	2.57	7.12	2.58	7.06	2.58	6.95	2.59
	-5	6.47	2.42	6.36	2.43	6.24	2.46	6.18	2.46	6.13	2.46	6.01	2.48
	-10	5.53	2.31	5.42	2.32	5.30	2.34	5.24	2.35	5.19	2.35	5.07	2.37
	-15	4.60	2.20	4.48	2.21	4.37	2.23	4.31	2.24	4.25	2.24	4.14	2.25
18 + 13	15	10.22	2.86	10.10	2.87	9.99	2.90	9.93	2.91	9.87	2.91	9.76	2.93
	10	9.28	2.75	9.16	2.76	9.05	2.79	8.99	2.80	8.93	2.80	8.82	2.82
	6	8.53	2.66	8.41	2.67	8.30	2.70	8.24	2.71	8.18	2.71	8.07	2.72
	0	7.41	2.53	7.29	2.54	7.18	2.57	7.12	2.58	7.06	2.58	6.95	2.59
	-5	6.47	2.42	6.36	2.43	6.24	2.46	6.18	2.46	6.13	2.46	6.01	2.48
	-10	5.53	2.31	5.42	2.32	5.30	2.34	5.24	2.35	5.19	2.35	5.07	2.37
	-15	4.60	2.20	4.48	2.21	4.37	2.23	4.31	2.24	4.25	2.24	4.14	2.25

Heating

5 - rooms multisplit : 2 - units operation

Indoor units : 22 type + 13 type 22 type + 16 type
 24 type + 13 type 24 type + 16 type
 16 type + 16 type 18 type + 18 type
 18 type + 16 type 22 type + 18 type

Outdoor unit : RAS-5M34U2AVG-E

TC : Total capacity [kW]

PI : Power input [kW]

Combination (Capacity)	Outdoor air temp. [°C WB]	Indoor air temp. [°C DB]											
		16		18		20		21		22		24	
		TC [kW]	PI [kW]	TC [kW]	PI [kW]	TC [kW]	PI [kW]	TC [kW]	PI [kW]	TC [kW]	PI [kW]	TC [kW]	PI [kW]
22 + 13	15	10.58	3.03	10.47	3.04	10.35	3.08	10.29	3.08	10.23	3.08	10.11	3.10
	10	9.61	2.91	9.49	2.93	9.38	2.96	9.32	2.97	9.26	2.97	9.14	2.98
	6	8.84	2.81	8.72	2.83	8.60	2.86	8.54	2.87	8.48	2.87	8.36	2.89
	0	7.67	2.68	7.56	2.69	7.44	2.72	7.38	2.73	7.32	2.73	7.20	2.75
	-5	6.70	2.56	6.59	2.58	6.47	2.60	6.41	2.61	6.35	2.61	6.23	2.63
	-10	5.73	2.44	5.61	2.46	5.50	2.48	5.43	2.49	5.37	2.49	5.26	2.51
	-15	4.76	2.33	4.64	2.34	4.53	2.37	4.46	2.37	4.40	2.37	4.29	2.39
24 + 13	15	10.58	3.03	10.47	3.04	10.35	3.08	10.29	3.08	10.23	3.08	10.11	3.10
	10	9.61	2.91	9.49	2.93	9.38	2.96	9.32	2.97	9.26	2.97	9.14	2.98
	6	8.84	2.81	8.72	2.83	8.60	2.86	8.54	2.87	8.48	2.87	8.36	2.89
	0	7.67	2.68	7.56	2.69	7.44	2.72	7.38	2.73	7.32	2.73	7.20	2.75
	-5	6.70	2.56	6.59	2.58	6.47	2.60	6.41	2.61	6.35	2.61	6.23	2.63
	-10	5.73	2.44	5.61	2.46	5.50	2.48	5.43	2.49	5.37	2.49	5.26	2.51
	-15	4.76	2.33	4.64	2.34	4.53	2.37	4.46	2.37	4.40	2.37	4.29	2.39
16 + 16	15	10.58	3.03	10.47	3.04	10.35	3.08	10.29	3.08	10.23	3.08	10.11	3.10
	10	9.61	2.91	9.49	2.93	9.38	2.96	9.32	2.97	9.26	2.97	9.14	2.98
	6	8.84	2.81	8.72	2.83	8.60	2.86	8.54	2.87	8.48	2.87	8.36	2.89
	0	7.67	2.68	7.56	2.69	7.44	2.72	7.38	2.73	7.32	2.73	7.20	2.75
	-5	6.70	2.56	6.59	2.58	6.47	2.60	6.41	2.61	6.35	2.61	6.23	2.63
	-10	5.73	2.44	5.61	2.46	5.50	2.48	5.43	2.49	5.37	2.49	5.26	2.51
	-15	4.76	2.33	4.64	2.34	4.53	2.37	4.46	2.37	4.40	2.37	4.29	2.39
18 + 16	15	10.58	3.03	10.47	3.04	10.35	3.08	10.29	3.08	10.23	3.08	10.11	3.10
	10	9.61	2.91	9.49	2.93	9.38	2.96	9.32	2.97	9.26	2.97	9.14	2.98
	6	8.84	2.81	8.72	2.83	8.60	2.86	8.54	2.87	8.48	2.87	8.36	2.89
	0	7.67	2.68	7.56	2.69	7.44	2.72	7.38	2.73	7.32	2.73	7.20	2.75
	-5	6.70	2.56	6.59	2.58	6.47	2.60	6.41	2.61	6.35	2.61	6.23	2.63
	-10	5.73	2.44	5.61	2.46	5.50	2.48	5.43	2.49	5.37	2.49	5.26	2.51
	-15	4.76	2.33	4.64	2.34	4.53	2.37	4.46	2.37	4.40	2.37	4.29	2.39
22 + 16	15	10.58	3.03	10.47	3.04	10.35	3.08	10.29	3.08	10.23	3.08	10.11	3.10
	10	9.61	2.91	9.49	2.93	9.38	2.96	9.32	2.97	9.26	2.97	9.14	2.98
	6	8.84	2.81	8.72	2.83	8.60	2.86	8.54	2.87	8.48	2.87	8.36	2.89
	0	7.67	2.68	7.56	2.69	7.44	2.72	7.38	2.73	7.32	2.73	7.20	2.75
	-5	6.70	2.56	6.59	2.58	6.47	2.60	6.41	2.61	6.35	2.61	6.23	2.63
	-10	5.73	2.44	5.61	2.46	5.50	2.48	5.43	2.49	5.37	2.49	5.26	2.51
	-15	4.76	2.33	4.64	2.34	4.53	2.37	4.46	2.37	4.40	2.37	4.29	2.39
24 + 16	15	10.58	3.03	10.47	3.04	10.35	3.08	10.29	3.08	10.23	3.08	10.11	3.10
	10	9.61	2.91	9.49	2.93	9.38	2.96	9.32	2.97	9.26	2.97	9.14	2.98
	6	8.84	2.81	8.72	2.83	8.60	2.86	8.54	2.87	8.48	2.87	8.36	2.89
	0	7.67	2.68	7.56	2.69	7.44	2.72	7.38	2.73	7.32	2.73	7.20	2.75
	-5	6.70	2.56	6.59	2.58	6.47	2.60	6.41	2.61	6.35	2.61	6.23	2.63
	-10	5.73	2.44	5.61	2.46	5.50	2.48	5.43	2.49	5.37	2.49	5.26	2.51
	-15	4.76	2.33	4.64	2.34	4.53	2.37	4.46	2.37	4.40	2.37	4.29	2.39
18 + 18	15	10.58	3.03	10.47	3.04	10.35	3.08	10.29	3.08	10.23	3.08	10.11	3.10
	10	9.61	2.91	9.49	2.93	9.38	2.96	9.32	2.97	9.26	2.97	9.14	2.98
	6	8.84	2.81	8.72	2.83	8.60	2.86	8.54	2.87	8.48	2.87	8.36	2.89
	0	7.67	2.68	7.56	2.69	7.44	2.72	7.38	2.73	7.32	2.73	7.20	2.75
	-5	6.70	2.56	6.59	2.58	6.47	2.60	6.41	2.61	6.35	2.61	6.23	2.63
	-10	5.73	2.44	5.61	2.46	5.50	2.48	5.43	2.49	5.37	2.49	5.26	2.51
	-15	4.76	2.33	4.64	2.34	4.53	2.37	4.46	2.37	4.40	2.37	4.29	2.39
22 + 18	15	10.58	3.03	10.47	3.04	10.35	3.08	10.29	3.08	10.23	3.08	10.11	3.10
	10	9.61	2.91	9.49	2.93	9.38	2.96	9.32	2.97	9.26	2.97	9.14	2.98
	6	8.84	2.81	8.72	2.83	8.60	2.86	8.54	2.87	8.48	2.87	8.36	2.89
	0	7.67	2.68	7.56	2.69	7.44	2.72	7.38	2.73	7.32	2.73	7.20	2.75
	-5	6.70	2.56	6.59	2.58	6.47	2.60	6.41	2.61	6.35	2.61	6.23	2.63
	-10	5.73	2.44	5.61	2.46	5.50	2.48	5.43	2.49	5.37	2.49	5.26	2.51
	-15	4.76	2.33	4.64	2.34	4.53	2.37	4.46	2.37	4.40	2.37	4.29	2.39

Heating

5 - rooms multisplit : 2 - units operation

Indoor units : 24 type + 18 type
 22 type + 22 type
 24 type + 22 type
 24 type + 24 type

Outdoor unit : RAS-5M34U2AVG-E

TC : Total capacity [kW]

PI : Power input [kW]

Combination (Capacity)	Outdoor air temp. [°C WB]	Indoor air temp. [°C DB]											
		16		18		20		21		22		24	
		TC [kW]	PI [kW]	TC [kW]	PI [kW]	TC [kW]	PI [kW]	TC [kW]	PI [kW]	TC [kW]	PI [kW]	TC [kW]	PI [kW]
24 + 18	15	10.58	3.03	10.47	3.04	10.35	3.08	10.29	3.08	10.23	3.08	10.11	3.10
	10	9.61	2.91	9.49	2.93	9.38	2.96	9.32	2.97	9.26	2.97	9.14	2.98
	6	8.84	2.81	8.72	2.83	8.60	2.86	8.54	2.87	8.48	2.87	8.36	2.89
	0	7.67	2.68	7.56	2.69	7.44	2.72	7.38	2.73	7.32	2.73	7.20	2.75
	-5	6.70	2.56	6.59	2.58	6.47	2.60	6.41	2.61	6.35	2.61	6.23	2.63
	-10	5.73	2.44	5.61	2.46	5.50	2.48	5.43	2.49	5.37	2.49	5.26	2.51
	-15	4.76	2.33	4.64	2.34	4.53	2.37	4.46	2.37	4.40	2.37	4.29	2.39
22 + 22	15	11.08	2.33	10.95	2.34	10.83	2.37	10.77	2.37	10.71	2.37	10.58	2.39
	10	10.06	2.24	9.94	2.25	9.81	2.27	9.75	2.28	9.69	2.28	9.56	2.30
	6	9.25	2.16	9.12	2.18	9.00	2.20	8.94	2.21	8.87	2.21	8.75	2.22
	0	8.03	2.06	7.91	2.07	7.78	2.09	7.72	2.10	7.66	2.10	7.54	2.11
	-5	7.02	1.97	6.89	1.98	6.77	2.00	6.71	2.01	6.64	2.01	6.52	2.02
	-10	6.00	1.88	5.87	1.89	5.75	1.91	5.69	1.92	5.62	1.92	5.50	1.93
	-15	4.98	1.79	4.86	1.80	4.74	1.82	4.67	1.82	4.61	1.82	4.49	1.84
24 + 22	15	11.08	2.33	10.95	2.34	10.83	2.37	10.77	2.37	10.71	2.37	10.58	2.39
	10	10.06	2.24	9.94	2.25	9.81	2.27	9.75	2.28	9.69	2.28	9.56	2.30
	6	9.25	2.16	9.12	2.18	9.00	2.20	8.94	2.21	8.87	2.21	8.75	2.22
	0	8.03	2.06	7.91	2.07	7.78	2.09	7.72	2.10	7.66	2.10	7.54	2.11
	-5	7.02	1.97	6.89	1.98	6.77	2.00	6.71	2.01	6.64	2.01	6.52	2.02
	-10	6.00	1.88	5.87	1.89	5.75	1.91	5.69	1.92	5.62	1.92	5.50	1.93
	-15	4.98	1.79	4.86	1.80	4.74	1.82	4.67	1.82	4.61	1.82	4.49	1.84
24 + 24	15	11.20	2.35	11.07	2.36	10.95	2.39	10.89	2.39	10.82	2.39	10.70	2.41
	10	10.17	2.26	10.05	2.27	9.92	2.30	9.86	2.30	9.79	2.30	9.67	2.32
	6	9.35	2.18	9.22	2.20	9.10	2.22	9.04	2.23	8.97	2.23	8.85	2.24
	0	8.12	2.08	7.99	2.09	7.87	2.11	7.81	2.12	7.74	2.12	7.62	2.13
	-5	7.09	1.99	6.97	2.00	6.84	2.02	6.78	2.03	6.72	2.03	6.59	2.04
	-10	6.07	1.90	5.94	1.91	5.81	1.93	5.75	1.93	5.69	1.93	5.56	1.95
	-15	5.04	1.81	4.91	1.82	4.79	1.84	4.72	1.84	4.66	1.84	4.53	1.85

Heating

5 - rooms multisplit : 3 - units operation

Indoor units : 05 type + 05 type + 05 type 16 type + 05 type + 05 type
 07 type + 05 type + 05 type 18 type + 05 type + 05 type
 10 type + 05 type + 05 type 22 type + 05 type + 05 type
 13 type + 05 type + 05 type 24 type + 05 type + 05 type

TC : Total capacity [kW]
 PI : Power input [kW]

Outdoor unit : RAS-5M34U2AVG-E

Combination (Capacity)	Outdoor air temp. [°C WB]	Indoor air temp. [°C DB]											
		16		18		20		21		22		24	
		TC [kW]	PI [kW]	TC [kW]	PI [kW]	TC [kW]	PI [kW]	TC [kW]	PI [kW]	TC [kW]	PI [kW]	TC [kW]	PI [kW]
05 + 05 + 05	15	7.38	1.80	7.30	1.81	7.22	1.83	7.18	1.83	7.14	1.83	7.05	1.84
	10	6.71	1.73	6.62	1.74	6.54	1.76	6.50	1.76	6.46	1.76	6.37	1.77
	6	6.17	1.67	6.08	1.68	6.00	1.70	5.96	1.70	5.92	1.70	5.83	1.72
	0	5.35	1.59	5.27	1.60	5.19	1.62	5.15	1.62	5.11	1.62	5.02	1.63
	-5	4.68	1.52	4.59	1.53	4.51	1.55	4.47	1.55	4.43	1.55	4.35	1.56
	-10	4.00	1.45	3.92	1.46	3.83	1.48	3.79	1.48	3.75	1.48	3.67	1.49
	-15	3.32	1.38	3.24	1.39	3.16	1.41	3.11	1.41	3.07	1.41	2.99	1.42
07 + 05 + 05	15	8.25	1.96	8.15	1.97	8.06	1.99	8.02	1.99	7.97	1.99	7.88	2.01
	10	7.49	1.88	7.40	1.89	7.30	1.91	7.26	1.92	7.21	1.92	7.12	1.93
	6	6.88	1.82	6.79	1.83	6.70	1.85	6.65	1.86	6.61	1.86	6.51	1.87
	0	5.98	1.73	5.89	1.74	5.79	1.76	5.75	1.76	5.70	1.76	5.61	1.78
	-5	5.22	1.66	5.13	1.67	5.04	1.68	4.99	1.69	4.95	1.69	4.85	1.70
	-10	4.47	1.58	4.37	1.59	4.28	1.61	4.23	1.61	4.19	1.61	4.09	1.62
	-15	3.71	1.51	3.62	1.51	3.53	1.53	3.48	1.53	3.43	1.53	3.34	1.54
10 + 05 + 05	15	9.85	2.42	9.74	2.44	9.62	2.46	9.57	2.47	9.52	2.47	9.41	2.49
	10	8.94	2.33	8.83	2.34	8.72	2.37	8.67	2.37	8.61	2.37	8.50	2.39
	6	8.22	2.25	8.11	2.27	8.00	2.29	7.94	2.30	7.89	2.30	7.78	2.31
	0	7.14	2.14	7.03	2.16	6.92	2.18	6.86	2.18	6.81	2.18	6.70	2.20
	-5	6.24	2.05	6.13	2.06	6.01	2.08	5.96	2.09	5.91	2.09	5.80	2.10
	-10	5.33	1.96	5.22	1.97	5.11	1.99	5.06	1.99	5.00	1.99	4.89	2.01
	-15	4.43	1.86	4.32	1.88	4.21	1.89	4.15	1.90	4.10	1.90	3.99	1.91
13 + 05 + 05	15	10.95	2.49	10.83	2.50	10.71	2.53	10.65	2.53	10.59	2.53	10.46	2.55
	10	9.95	2.39	9.83	2.41	9.70	2.43	9.64	2.44	9.58	2.44	9.46	2.45
	6	9.15	2.31	9.02	2.33	8.90	2.35	8.84	2.36	8.78	2.36	8.65	2.37
	0	7.94	2.20	7.82	2.21	7.70	2.24	7.64	2.24	7.57	2.24	7.45	2.26
	-5	6.94	2.10	6.82	2.12	6.69	2.14	6.63	2.14	6.57	2.14	6.45	2.16
	-10	5.93	2.01	5.81	2.02	5.69	2.04	5.62	2.05	5.56	2.05	5.44	2.06
	-15	4.93	1.91	4.80	1.92	4.68	1.94	4.62	1.95	4.56	1.95	4.44	1.96
16 + 05 + 05	15	10.95	2.49	10.83	2.50	10.71	2.53	10.65	2.53	10.59	2.53	10.46	2.55
	10	9.95	2.39	9.83	2.41	9.70	2.43	9.64	2.44	9.58	2.44	9.46	2.45
	6	9.15	2.31	9.02	2.33	8.90	2.35	8.84	2.36	8.78	2.36	8.65	2.37
	0	7.94	2.20	7.82	2.21	7.70	2.24	7.64	2.24	7.57	2.24	7.45	2.26
	-5	6.94	2.10	6.82	2.12	6.69	2.14	6.63	2.14	6.57	2.14	6.45	2.16
	-10	5.93	2.01	5.81	2.02	5.69	2.04	5.62	2.05	5.56	2.05	5.44	2.06
	-15	4.93	1.91	4.80	1.92	4.68	1.94	4.62	1.95	4.56	1.95	4.44	1.96
18 + 05 + 05	15	10.95	2.49	10.83	2.50	10.71	2.53	10.65	2.53	10.59	2.53	10.46	2.55
	10	9.95	2.39	9.83	2.41	9.70	2.43	9.64	2.44	9.58	2.44	9.46	2.45
	6	9.15	2.31	9.02	2.33	8.90	2.35	8.84	2.36	8.78	2.36	8.65	2.37
	0	7.94	2.20	7.82	2.21	7.70	2.24	7.64	2.24	7.57	2.24	7.45	2.26
	-5	6.94	2.10	6.82	2.12	6.69	2.14	6.63	2.14	6.57	2.14	6.45	2.16
	-10	5.93	2.01	5.81	2.02	5.69	2.04	5.62	2.05	5.56	2.05	5.44	2.06
	-15	4.93	1.91	4.80	1.92	4.68	1.94	4.62	1.95	4.56	1.95	4.44	1.96
22 + 05 + 05	15	10.95	2.49	10.83	2.50	10.71	2.53	10.65	2.53	10.59	2.53	10.46	2.55
	10	9.95	2.39	9.83	2.41	9.70	2.43	9.64	2.44	9.58	2.44	9.46	2.45
	6	9.15	2.31	9.02	2.33	8.90	2.35	8.84	2.36	8.78	2.36	8.65	2.37
	0	7.94	2.20	7.82	2.21	7.70	2.24	7.64	2.24	7.57	2.24	7.45	2.26
	-5	6.94	2.10	6.82	2.12	6.69	2.14	6.63	2.14	6.57	2.14	6.45	2.16
	-10	5.93	2.01	5.81	2.02	5.69	2.04	5.62	2.05	5.56	2.05	5.44	2.06
	-15	4.93	1.91	4.80	1.92	4.68	1.94	4.62	1.95	4.56	1.95	4.44	1.96
24 + 05 + 05	15	10.95	2.49	10.83	2.50	10.71	2.53	10.65	2.53	10.59	2.53	10.46	2.55
	10	9.95	2.39	9.83	2.41	9.70	2.43	9.64	2.44	9.58	2.44	9.46	2.45
	6	9.15	2.31	9.02	2.33	8.90	2.35	8.84	2.36	8.78	2.36	8.65	2.37
	0	7.94	2.20	7.82	2.21	7.70	2.24	7.64	2.24	7.57	2.24	7.45	2.26
	-5	6.94	2.10	6.82	2.12	6.69	2.14	6.63	2.14	6.57	2.14	6.45	2.16
	-10	5.93	2.01	5.81	2.02	5.69	2.04	5.62	2.05	5.56	2.05	5.44	2.06
	-15	4.93	1.91	4.80	1.92	4.68	1.94	4.62	1.95	4.56	1.95	4.44	1.96

Heating

5 - rooms multisplit : 3 - units operation

Indoor units : 07 type + 07 type + 05 type 18 type + 07 type + 05 type
 10 type + 07 type + 05 type 22 type + 07 type + 05 type
 13 type + 07 type + 05 type 24 type + 07 type + 05 type
 16 type + 07 type + 05 type 10 type + 10 type + 05 type

TC : Total capacity [kW]
 PI : Power input [kW]

Outdoor unit : RAS-5M34U2AVG-E

Combination (Capacity)	Outdoor air temp. [°C WB]	Indoor air temp. [°C DB]											
		16		18		20		21		22		24	
		TC [kW]	PI [kW]	TC [kW]	PI [kW]	TC [kW]	PI [kW]	TC [kW]	PI [kW]	TC [kW]	PI [kW]	TC [kW]	PI [kW]
07 + 07 + 05	15	9.11	2.12	9.01	2.13	8.90	2.15	8.85	2.16	8.80	2.16	8.70	2.17
	10	8.27	2.03	8.17	2.05	8.07	2.07	8.02	2.07	7.96	2.07	7.86	2.09
	6	7.60	1.97	7.50	1.98	7.40	2.00	7.35	2.01	7.30	2.01	7.19	2.02
	0	6.60	1.87	6.50	1.88	6.40	1.90	6.35	1.91	6.30	1.91	6.20	1.92
	-5	5.77	1.79	5.67	1.80	5.56	1.82	5.51	1.82	5.46	1.82	5.36	1.84
	-10	4.93	1.71	4.83	1.72	4.73	1.74	4.68	1.74	4.62	1.74	4.52	1.75
	-15	4.10	1.63	3.99	1.64	3.89	1.65	3.84	1.66	3.79	1.66	3.69	1.67
10 + 07 + 05	15	10.71	2.33	10.59	2.34	10.47	2.37	10.41	2.37	10.35	2.37	10.23	2.39
	10	9.72	2.24	9.60	2.25	9.49	2.27	9.42	2.28	9.36	2.28	9.24	2.30
	6	8.94	2.16	8.82	2.18	8.70	2.20	8.64	2.21	8.58	2.21	8.46	2.22
	0	7.76	2.06	7.64	2.07	7.52	2.09	7.46	2.10	7.40	2.10	7.28	2.11
	-5	6.78	1.97	6.66	1.98	6.54	2.00	6.48	2.01	6.42	2.01	6.30	2.02
	-10	5.80	1.88	5.68	1.89	5.56	1.91	5.50	1.92	5.44	1.92	5.32	1.93
	-15	4.82	1.79	4.70	1.80	4.58	1.82	4.52	1.82	4.46	1.82	4.34	1.84
13 + 07 + 05	15	10.95	2.49	10.83	2.50	10.71	2.53	10.65	2.53	10.59	2.53	10.46	2.55
	10	9.95	2.39	9.83	2.41	9.70	2.43	9.64	2.44	9.58	2.44	9.46	2.45
	6	9.15	2.31	9.02	2.33	8.90	2.35	8.84	2.36	8.78	2.36	8.65	2.37
	0	7.94	2.20	7.82	2.21	7.70	2.24	7.64	2.24	7.57	2.24	7.45	2.26
	-5	6.94	2.10	6.82	2.12	6.69	2.14	6.63	2.14	6.57	2.14	6.45	2.16
	-10	5.93	2.01	5.81	2.02	5.69	2.04	5.62	2.05	5.56	2.05	5.44	2.06
	-15	4.93	1.91	4.80	1.92	4.68	1.94	4.62	1.95	4.56	1.95	4.44	1.96
16 + 07 + 05	15	10.95	2.49	10.83	2.50	10.71	2.53	10.65	2.53	10.59	2.53	10.46	2.55
	10	9.95	2.39	9.83	2.41	9.70	2.43	9.64	2.44	9.58	2.44	9.46	2.45
	6	9.15	2.31	9.02	2.33	8.90	2.35	8.84	2.36	8.78	2.36	8.65	2.37
	0	7.94	2.20	7.82	2.21	7.70	2.24	7.64	2.24	7.57	2.24	7.45	2.26
	-5	6.94	2.10	6.82	2.12	6.69	2.14	6.63	2.14	6.57	2.14	6.45	2.16
	-10	5.93	2.01	5.81	2.02	5.69	2.04	5.62	2.05	5.56	2.05	5.44	2.06
	-15	4.93	1.91	4.80	1.92	4.68	1.94	4.62	1.95	4.56	1.95	4.44	1.96
18 + 07 + 05	15	10.95	2.49	10.83	2.50	10.71	2.53	10.65	2.53	10.59	2.53	10.46	2.55
	10	9.95	2.39	9.83	2.41	9.70	2.43	9.64	2.44	9.58	2.44	9.46	2.45
	6	9.15	2.31	9.02	2.33	8.90	2.35	8.84	2.36	8.78	2.36	8.65	2.37
	0	7.94	2.20	7.82	2.21	7.70	2.24	7.64	2.24	7.57	2.24	7.45	2.26
	-5	6.94	2.10	6.82	2.12	6.69	2.14	6.63	2.14	6.57	2.14	6.45	2.16
	-10	5.93	2.01	5.81	2.02	5.69	2.04	5.62	2.05	5.56	2.05	5.44	2.06
	-15	4.93	1.91	4.80	1.92	4.68	1.94	4.62	1.95	4.56	1.95	4.44	1.96
22 + 07 + 05	15	10.95	2.49	10.83	2.50	10.71	2.53	10.65	2.53	10.59	2.53	10.46	2.55
	10	9.95	2.39	9.83	2.41	9.70	2.43	9.64	2.44	9.58	2.44	9.46	2.45
	6	9.15	2.31	9.02	2.33	8.90	2.35	8.84	2.36	8.78	2.36	8.65	2.37
	0	7.94	2.20	7.82	2.21	7.70	2.24	7.64	2.24	7.57	2.24	7.45	2.26
	-5	6.94	2.10	6.82	2.12	6.69	2.14	6.63	2.14	6.57	2.14	6.45	2.16
	-10	5.93	2.01	5.81	2.02	5.69	2.04	5.62	2.05	5.56	2.05	5.44	2.06
	-15	4.93	1.91	4.80	1.92	4.68	1.94	4.62	1.95	4.56	1.95	4.44	1.96
24 + 07 + 05	15	10.95	2.49	10.83	2.50	10.71	2.53	10.65	2.53	10.59	2.53	10.46	2.55
	10	9.95	2.39	9.83	2.41	9.70	2.43	9.64	2.44	9.58	2.44	9.46	2.45
	6	9.15	2.31	9.02	2.33	8.90	2.35	8.84	2.36	8.78	2.36	8.65	2.37
	0	7.94	2.20	7.82	2.21	7.70	2.24	7.64	2.24	7.57	2.24	7.45	2.26
	-5	6.94	2.10	6.82	2.12	6.69	2.14	6.63	2.14	6.57	2.14	6.45	2.16
	-10	5.93	2.01	5.81	2.02	5.69	2.04	5.62	2.05	5.56	2.05	5.44	2.06
	-15	4.93	1.91	4.80	1.92	4.68	1.94	4.62	1.95	4.56	1.95	4.44	1.96
10 + 10 + 05	15	10.95	2.49	10.83	2.50	10.71	2.53	10.65	2.53	10.59	2.53	10.46	2.55
	10	9.95	2.39	9.83	2.41	9.70	2.43	9.64	2.44	9.58	2.44	9.46	2.45
	6	9.15	2.31	9.02	2.33	8.90	2.35	8.84	2.36	8.78	2.36	8.65	2.37
	0	7.94	2.20	7.82	2.21	7.70	2.24	7.64	2.24	7.57	2.24	7.45	2.26
	-5	6.94	2.10	6.82	2.12	6.69	2.14	6.63	2.14	6.57	2.14	6.45	2.16
	-10	5.93	2.01	5.81	2.02	5.69	2.04	5.62	2.05	5.56	2.05	5.44	2.06
	-15	4.93	1.91	4.80	1.92	4.68	1.94	4.62	1.95	4.56	1.95	4.44	1.96

Heating

5 - rooms multisplit : 3 - units operation

Indoor units : 13 type + 10 type + 05 type 24 type + 10 type + 05 type
 16 type + 10 type + 05 type 13 type + 13 type + 05 type
 18 type + 10 type + 05 type 16 type + 13 type + 05 type
 22 type + 10 type + 05 type 18 type + 13 type + 05 type

TC : Total capacity [kW]
 PI : Power input [kW]

Outdoor unit : RAS-5M34U2AVG-E

Combination (Capacity)	Outdoor air temp. [°C WB]	Indoor air temp. [°C DB]											
		16		18		20		21		22		24	
		TC [kW]	PI [kW]	TC [kW]	PI [kW]	TC [kW]	PI [kW]	TC [kW]	PI [kW]	TC [kW]	PI [kW]	TC [kW]	PI [kW]
13 + 10 + 05	15	10.95	2.49	10.83	2.50	10.71	2.53	10.65	2.53	10.59	2.53	10.46	2.55
	10	9.95	2.39	9.83	2.41	9.70	2.43	9.64	2.44	9.58	2.44	9.46	2.45
	6	9.15	2.31	9.02	2.33	8.90	2.35	8.84	2.36	8.78	2.36	8.65	2.37
	0	7.94	2.20	7.82	2.21	7.70	2.24	7.64	2.24	7.57	2.24	7.45	2.26
	-5	6.94	2.10	6.82	2.12	6.69	2.14	6.63	2.14	6.57	2.14	6.45	2.16
	-10	5.93	2.01	5.81	2.02	5.69	2.04	5.62	2.05	5.56	2.05	5.44	2.06
	-15	4.93	1.91	4.80	1.92	4.68	1.94	4.62	1.95	4.56	1.95	4.44	1.96
16 + 10 + 05	15	10.95	2.49	10.83	2.50	10.71	2.53	10.65	2.53	10.59	2.53	10.46	2.55
	10	9.95	2.39	9.83	2.41	9.70	2.43	9.64	2.44	9.58	2.44	9.46	2.45
	6	9.15	2.31	9.02	2.33	8.90	2.35	8.84	2.36	8.78	2.36	8.65	2.37
	0	7.94	2.20	7.82	2.21	7.70	2.24	7.64	2.24	7.57	2.24	7.45	2.26
	-5	6.94	2.10	6.82	2.12	6.69	2.14	6.63	2.14	6.57	2.14	6.45	2.16
	-10	5.93	2.01	5.81	2.02	5.69	2.04	5.62	2.05	5.56	2.05	5.44	2.06
	-15	4.93	1.91	4.80	1.92	4.68	1.94	4.62	1.95	4.56	1.95	4.44	1.96
18 + 10 + 05	15	10.95	2.49	10.83	2.50	10.71	2.53	10.65	2.53	10.59	2.53	10.46	2.55
	10	9.95	2.39	9.83	2.41	9.70	2.43	9.64	2.44	9.58	2.44	9.46	2.45
	6	9.15	2.31	9.02	2.33	8.90	2.35	8.84	2.36	8.78	2.36	8.65	2.37
	0	7.94	2.20	7.82	2.21	7.70	2.24	7.64	2.24	7.57	2.24	7.45	2.26
	-5	6.94	2.10	6.82	2.12	6.69	2.14	6.63	2.14	6.57	2.14	6.45	2.16
	-10	5.93	2.01	5.81	2.02	5.69	2.04	5.62	2.05	5.56	2.05	5.44	2.06
	-15	4.93	1.91	4.80	1.92	4.68	1.94	4.62	1.95	4.56	1.95	4.44	1.96
22 + 10 + 05	15	10.95	2.49	10.83	2.50	10.71	2.53	10.65	2.53	10.59	2.53	10.46	2.55
	10	9.95	2.39	9.83	2.41	9.70	2.43	9.64	2.44	9.58	2.44	9.46	2.45
	6	9.15	2.31	9.02	2.33	8.90	2.35	8.84	2.36	8.78	2.36	8.65	2.37
	0	7.94	2.20	7.82	2.21	7.70	2.24	7.64	2.24	7.57	2.24	7.45	2.26
	-5	6.94	2.10	6.82	2.12	6.69	2.14	6.63	2.14	6.57	2.14	6.45	2.16
	-10	5.93	2.01	5.81	2.02	5.69	2.04	5.62	2.05	5.56	2.05	5.44	2.06
	-15	4.93	1.91	4.80	1.92	4.68	1.94	4.62	1.95	4.56	1.95	4.44	1.96
24 + 10 + 05	15	10.95	2.49	10.83	2.50	10.71	2.53	10.65	2.53	10.59	2.53	10.46	2.55
	10	9.95	2.39	9.83	2.41	9.70	2.43	9.64	2.44	9.58	2.44	9.46	2.45
	6	9.15	2.31	9.02	2.33	8.90	2.35	8.84	2.36	8.78	2.36	8.65	2.37
	0	7.94	2.20	7.82	2.21	7.70	2.24	7.64	2.24	7.57	2.24	7.45	2.26
	-5	6.94	2.10	6.82	2.12	6.69	2.14	6.63	2.14	6.57	2.14	6.45	2.16
	-10	5.93	2.01	5.81	2.02	5.69	2.04	5.62	2.05	5.56	2.05	5.44	2.06
	-15	4.93	1.91	4.80	1.92	4.68	1.94	4.62	1.95	4.56	1.95	4.44	1.96
13 + 13 + 05	15	10.95	2.49	10.83	2.50	10.71	2.53	10.65	2.53	10.59	2.53	10.46	2.55
	10	9.95	2.39	9.83	2.41	9.70	2.43	9.64	2.44	9.58	2.44	9.46	2.45
	6	9.15	2.31	9.02	2.33	8.90	2.35	8.84	2.36	8.78	2.36	8.65	2.37
	0	7.94	2.20	7.82	2.21	7.70	2.24	7.64	2.24	7.57	2.24	7.45	2.26
	-5	6.94	2.10	6.82	2.12	6.69	2.14	6.63	2.14	6.57	2.14	6.45	2.16
	-10	5.93	2.01	5.81	2.02	5.69	2.04	5.62	2.05	5.56	2.05	5.44	2.06
	-15	4.93	1.91	4.80	1.92	4.68	1.94	4.62	1.95	4.56	1.95	4.44	1.96
16 + 13 + 05	15	10.95	2.49	10.83	2.50	10.71	2.53	10.65	2.53	10.59	2.53	10.46	2.55
	10	9.95	2.39	9.83	2.41	9.70	2.43	9.64	2.44	9.58	2.44	9.46	2.45
	6	9.15	2.31	9.02	2.33	8.90	2.35	8.84	2.36	8.78	2.36	8.65	2.37
	0	7.94	2.20	7.82	2.21	7.70	2.24	7.64	2.24	7.57	2.24	7.45	2.26
	-5	6.94	2.10	6.82	2.12	6.69	2.14	6.63	2.14	6.57	2.14	6.45	2.16
	-10	5.93	2.01	5.81	2.02	5.69	2.04	5.62	2.05	5.56	2.05	5.44	2.06
	-15	4.93	1.91	4.80	1.92	4.68	1.94	4.62	1.95	4.56	1.95	4.44	1.96
18 + 13 + 05	15	10.95	2.49	10.83	2.50	10.71	2.53	10.65	2.53	10.59	2.53	10.46	2.55
	10	9.95	2.39	9.83	2.41	9.70	2.43	9.64	2.44	9.58	2.44	9.46	2.45
	6	9.15	2.31	9.02	2.33	8.90	2.35	8.84	2.36	8.78	2.36	8.65	2.37
	0	7.94	2.20	7.82	2.21	7.70	2.24	7.64	2.24	7.57	2.24	7.45	2.26
	-5	6.94	2.10	6.82	2.12	6.69	2.14	6.63	2.14	6.57	2.14	6.45	2.16
	-10	5.93	2.01	5.81	2.02	5.69	2.04	5.62	2.05	5.56	2.05	5.44	2.06
	-15	4.93	1.91	4.80	1.92	4.68	1.94	4.62	1.95	4.56	1.95	4.44	1.96

Heating

5 - rooms multisplit : 3 - units operation

Indoor units : 22 type + 13 type + 05 type 22 type + 16 type + 05 type
 24 type + 13 type + 05 type 24 type + 16 type + 05 type
 16 type + 16 type + 05 type 18 type + 18 type + 05 type
 18 type + 16 type + 05 type 22 type + 18 type + 05 type

TC : Total capacity [kW]
 PI : Power input [kW]

Outdoor unit : RAS-5M34U2AVG-E

Combination (Capacity)	Outdoor air temp. [°C WB]	Indoor air temp. [°C DB]											
		16		18		20		21		22		24	
		TC [kW]	PI [kW]	TC [kW]	PI [kW]	TC [kW]	PI [kW]	TC [kW]	PI [kW]	TC [kW]	PI [kW]	TC [kW]	PI [kW]
22 + 13 + 05	15	10.95	2.49	10.83	2.50	10.71	2.53	10.65	2.53	10.59	2.53	10.46	2.55
	10	9.95	2.39	9.83	2.41	9.70	2.43	9.64	2.44	9.58	2.44	9.46	2.45
	6	9.15	2.31	9.02	2.33	8.90	2.35	8.84	2.36	8.78	2.36	8.65	2.37
	0	7.94	2.20	7.82	2.21	7.70	2.24	7.64	2.24	7.57	2.24	7.45	2.26
	-5	6.94	2.10	6.82	2.12	6.69	2.14	6.63	2.14	6.57	2.14	6.45	2.16
	-10	5.93	2.01	5.81	2.02	5.69	2.04	5.62	2.05	5.56	2.05	5.44	2.06
	-15	4.93	1.91	4.80	1.92	4.68	1.94	4.62	1.95	4.56	1.95	4.44	1.96
24 + 13 + 05	15	10.95	2.49	10.83	2.50	10.71	2.53	10.65	2.53	10.59	2.53	10.46	2.55
	10	9.95	2.39	9.83	2.41	9.70	2.43	9.64	2.44	9.58	2.44	9.46	2.45
	6	9.15	2.31	9.02	2.33	8.90	2.35	8.84	2.36	8.78	2.36	8.65	2.37
	0	7.94	2.20	7.82	2.21	7.70	2.24	7.64	2.24	7.57	2.24	7.45	2.26
	-5	6.94	2.10	6.82	2.12	6.69	2.14	6.63	2.14	6.57	2.14	6.45	2.16
	-10	5.93	2.01	5.81	2.02	5.69	2.04	5.62	2.05	5.56	2.05	5.44	2.06
	-15	4.93	1.91	4.80	1.92	4.68	1.94	4.62	1.95	4.56	1.95	4.44	1.96
16 + 16 + 05	15	10.95	2.49	10.83	2.50	10.71	2.53	10.65	2.53	10.59	2.53	10.46	2.55
	10	9.95	2.39	9.83	2.41	9.70	2.43	9.64	2.44	9.58	2.44	9.46	2.45
	6	9.15	2.31	9.02	2.33	8.90	2.35	8.84	2.36	8.78	2.36	8.65	2.37
	0	7.94	2.20	7.82	2.21	7.70	2.24	7.64	2.24	7.57	2.24	7.45	2.26
	-5	6.94	2.10	6.82	2.12	6.69	2.14	6.63	2.14	6.57	2.14	6.45	2.16
	-10	5.93	2.01	5.81	2.02	5.69	2.04	5.62	2.05	5.56	2.05	5.44	2.06
	-15	4.93	1.91	4.80	1.92	4.68	1.94	4.62	1.95	4.56	1.95	4.44	1.96
18 + 16 + 05	15	10.95	2.49	10.83	2.50	10.71	2.53	10.65	2.53	10.59	2.53	10.46	2.55
	10	9.95	2.39	9.83	2.41	9.70	2.43	9.64	2.44	9.58	2.44	9.46	2.45
	6	9.15	2.31	9.02	2.33	8.90	2.35	8.84	2.36	8.78	2.36	8.65	2.37
	0	7.94	2.20	7.82	2.21	7.70	2.24	7.64	2.24	7.57	2.24	7.45	2.26
	-5	6.94	2.10	6.82	2.12	6.69	2.14	6.63	2.14	6.57	2.14	6.45	2.16
	-10	5.93	2.01	5.81	2.02	5.69	2.04	5.62	2.05	5.56	2.05	5.44	2.06
	-15	4.93	1.91	4.80	1.92	4.68	1.94	4.62	1.95	4.56	1.95	4.44	1.96
22 + 16 + 05	15	10.95	2.49	10.83	2.50	10.71	2.53	10.65	2.53	10.59	2.53	10.46	2.55
	10	9.95	2.39	9.83	2.41	9.70	2.43	9.64	2.44	9.58	2.44	9.46	2.45
	6	9.15	2.31	9.02	2.33	8.90	2.35	8.84	2.36	8.78	2.36	8.65	2.37
	0	7.94	2.20	7.82	2.21	7.70	2.24	7.64	2.24	7.57	2.24	7.45	2.26
	-5	6.94	2.10	6.82	2.12	6.69	2.14	6.63	2.14	6.57	2.14	6.45	2.16
	-10	5.93	2.01	5.81	2.02	5.69	2.04	5.62	2.05	5.56	2.05	5.44	2.06
	-15	4.93	1.91	4.80	1.92	4.68	1.94	4.62	1.95	4.56	1.95	4.44	1.96
24 + 16 + 05	15	11.57	2.51	11.44	2.52	11.31	2.55	11.25	2.56	11.18	2.56	11.05	2.57
	10	10.51	2.41	10.38	2.43	10.25	2.45	10.18	2.46	10.12	2.46	9.99	2.47
	6	9.66	2.33	9.53	2.35	9.40	2.37	9.33	2.38	9.27	2.38	9.14	2.39
	0	8.39	2.22	8.26	2.23	8.13	2.25	8.06	2.26	8.00	2.26	7.87	2.28
	-5	7.33	2.12	7.20	2.13	7.07	2.16	7.00	2.16	6.94	2.16	6.81	2.18
	-10	6.27	2.02	6.14	2.04	6.01	2.06	5.94	2.06	5.87	2.06	5.74	2.08
	-15	5.20	1.93	5.07	1.94	4.95	1.96	4.88	1.97	4.81	1.97	4.68	1.98
18 + 18 + 05	15	10.95	2.49	10.83	2.50	10.71	2.53	10.65	2.53	10.59	2.53	10.46	2.55
	10	9.95	2.39	9.83	2.41	9.70	2.43	9.64	2.44	9.58	2.44	9.46	2.45
	6	9.15	2.31	9.02	2.33	8.90	2.35	8.84	2.36	8.78	2.36	8.65	2.37
	0	7.94	2.20	7.82	2.21	7.70	2.24	7.64	2.24	7.57	2.24	7.45	2.26
	-5	6.94	2.10	6.82	2.12	6.69	2.14	6.63	2.14	6.57	2.14	6.45	2.16
	-10	5.93	2.01	5.81	2.02	5.69	2.04	5.62	2.05	5.56	2.05	5.44	2.06
	-15	4.93	1.91	4.80	1.92	4.68	1.94	4.62	1.95	4.56	1.95	4.44	1.96
22 + 18 + 05	15	11.57	2.42	11.44	2.44	11.31	2.46	11.25	2.47	11.18	2.47	11.05	2.49
	10	10.51	2.33	10.38	2.34	10.25	2.37	10.18	2.37	10.12	2.37	9.99	2.39
	6	9.66	2.25	9.53	2.27	9.40	2.29	9.33	2.30	9.27	2.30	9.14	2.31
	0	8.39	2.14	8.26	2.16	8.13	2.18	8.06	2.18	8.00	2.18	7.87	2.20
	-5	7.33	2.05	7.20	2.06	7.07	2.08	7.00	2.09	6.94	2.09	6.81	2.10
	-10	6.27	1.96	6.14	1.97	6.01	1.99	5.94	1.99	5.87	1.99	5.74	2.01
	-15	5.20	1.86	5.07	1.88	4.95	1.89	4.88	1.90	4.81	1.90	4.68	1.91

Heating

5 - rooms multisplit : 3 - units operation

Indoor units : 24 type + 18 type + 05 type 07 type + 07 type + 07 type
 22 type + 22 type + 05 type 10 type + 07 type + 07 type
 24 type + 22 type + 05 type 13 type + 07 type + 07 type
 24 type + 24 type + 05 type 16 type + 07 type + 07 type

TC : Total capacity [kW]
 PI : Power input [kW]

Outdoor unit : RAS-5M34U2AVG-E

Combination (Capacity)	Outdoor air temp. [°C WB]	Indoor air temp. [°C DB]											
		16		18		20		21		22		24	
		TC [kW]	PI [kW]	TC [kW]	PI [kW]	TC [kW]	PI [kW]	TC [kW]	PI [kW]	TC [kW]	PI [kW]	TC [kW]	PI [kW]
24 + 18 + 05	15	11.57	2.42	11.44	2.44	11.31	2.46	11.25	2.47	11.18	2.47	11.05	2.49
	10	10.51	2.33	10.38	2.34	10.25	2.37	10.18	2.37	10.12	2.37	9.99	2.39
	6	9.66	2.25	9.53	2.27	9.40	2.29	9.33	2.30	9.27	2.30	9.14	2.31
	0	8.39	2.14	8.26	2.16	8.13	2.18	8.06	2.18	8.00	2.18	7.87	2.20
	-5	7.33	2.05	7.20	2.06	7.07	2.08	7.00	2.09	6.94	2.09	6.81	2.10
	-10	6.27	1.96	6.14	1.97	6.01	1.99	5.94	1.99	5.87	1.99	5.74	2.01
	-15	5.20	1.86	5.07	1.88	4.95	1.89	4.88	1.90	4.81	1.90	4.68	1.91
22 + 22 + 05	15	11.57	2.42	11.44	2.44	11.31	2.46	11.25	2.47	11.18	2.47	11.05	2.49
	10	10.51	2.33	10.38	2.34	10.25	2.37	10.18	2.37	10.12	2.37	9.99	2.39
	6	9.66	2.25	9.53	2.27	9.40	2.29	9.33	2.30	9.27	2.30	9.14	2.31
	0	8.39	2.14	8.26	2.16	8.13	2.18	8.06	2.18	8.00	2.18	7.87	2.20
	-5	7.33	2.05	7.20	2.06	7.07	2.08	7.00	2.09	6.94	2.09	6.81	2.10
	-10	6.27	1.96	6.14	1.97	6.01	1.99	5.94	1.99	5.87	1.99	5.74	2.01
	-15	5.20	1.86	5.07	1.88	4.95	1.89	4.88	1.90	4.81	1.90	4.68	1.91
24 + 22 + 05	15	11.57	2.42	11.44	2.44	11.31	2.46	11.25	2.47	11.18	2.47	11.05	2.49
	10	10.51	2.33	10.38	2.34	10.25	2.37	10.18	2.37	10.12	2.37	9.99	2.39
	6	9.66	2.25	9.53	2.27	9.40	2.29	9.33	2.30	9.27	2.30	9.14	2.31
	0	8.39	2.14	8.26	2.16	8.13	2.18	8.06	2.18	8.00	2.18	7.87	2.20
	-5	7.33	2.05	7.20	2.06	7.07	2.08	7.00	2.09	6.94	2.09	6.81	2.10
	-10	6.27	1.96	6.14	1.97	6.01	1.99	5.94	1.99	5.87	1.99	5.74	2.01
	-15	5.20	1.86	5.07	1.88	4.95	1.89	4.88	1.90	4.81	1.90	4.68	1.91
24 + 24 + 05	15	11.57	2.42	11.44	2.44	11.31	2.46	11.25	2.47	11.18	2.47	11.05	2.49
	10	10.51	2.33	10.38	2.34	10.25	2.37	10.18	2.37	10.12	2.37	9.99	2.39
	6	9.66	2.25	9.53	2.27	9.40	2.29	9.33	2.30	9.27	2.30	9.14	2.31
	0	8.39	2.14	8.26	2.16	8.13	2.18	8.06	2.18	8.00	2.18	7.87	2.20
	-5	7.33	2.05	7.20	2.06	7.07	2.08	7.00	2.09	6.94	2.09	6.81	2.10
	-10	6.27	1.96	6.14	1.97	6.01	1.99	5.94	1.99	5.87	1.99	5.74	2.01
	-15	5.20	1.86	5.07	1.88	4.95	1.89	4.88	1.90	4.81	1.90	4.68	1.91
07 + 07 + 07	15	9.97	2.42	9.86	2.44	9.74	2.46	9.69	2.47	9.63	2.47	9.52	2.49
	10	9.05	2.33	8.94	2.34	8.83	2.37	8.77	2.37	8.72	2.37	8.61	2.39
	6	8.32	2.25	8.21	2.27	8.10	2.29	8.04	2.30	7.99	2.30	7.87	2.31
	0	7.23	2.14	7.12	2.16	7.00	2.18	6.95	2.18	6.89	2.18	6.78	2.20
	-5	6.31	2.05	6.20	2.06	6.09	2.08	6.04	2.09	5.98	2.09	5.87	2.10
	-10	5.40	1.96	5.29	1.97	5.18	1.99	5.12	1.99	5.06	1.99	4.95	2.01
	-15	4.48	1.86	4.37	1.88	4.26	1.89	4.20	1.90	4.15	1.90	4.04	1.91
10 + 07 + 07	15	10.22	2.43	10.10	2.45	9.99	2.47	9.93	2.48	9.87	2.48	9.76	2.50
	10	9.28	2.34	9.16	2.35	9.05	2.38	8.99	2.38	8.93	2.38	8.82	2.40
	6	8.53	2.26	8.41	2.28	8.30	2.30	8.24	2.31	8.18	2.31	8.07	2.32
	0	7.41	2.15	7.29	2.17	7.18	2.19	7.12	2.19	7.06	2.19	6.95	2.21
	-5	6.47	2.06	6.36	2.07	6.24	2.09	6.18	2.10	6.13	2.10	6.01	2.11
	-10	5.53	1.96	5.42	1.98	5.30	2.00	5.24	2.00	5.19	2.00	5.07	2.02
	-15	4.60	1.87	4.48	1.88	4.37	1.90	4.31	1.91	4.25	1.91	4.14	1.92
13 + 07 + 07	15	10.58	2.43	10.47	2.45	10.35	2.47	10.29	2.48	10.23	2.48	10.11	2.50
	10	9.61	2.34	9.49	2.35	9.38	2.38	9.32	2.38	9.26	2.38	9.14	2.40
	6	8.84	2.26	8.72	2.28	8.60	2.30	8.54	2.31	8.48	2.31	8.36	2.32
	0	7.67	2.15	7.56	2.17	7.44	2.19	7.38	2.19	7.32	2.19	7.20	2.21
	-5	6.70	2.06	6.59	2.07	6.47	2.09	6.41	2.10	6.35	2.10	6.23	2.11
	-10	5.73	1.96	5.61	1.98	5.50	2.00	5.43	2.00	5.37	2.00	5.26	2.02
	-15	4.76	1.87	4.64	1.88	4.53	1.90	4.46	1.91	4.40	1.91	4.29	1.92
16 + 07 + 07	15	10.71	2.49	10.59	2.50	10.47	2.53	10.41	2.53	10.35	2.53	10.23	2.55
	10	9.72	2.39	9.60	2.41	9.49	2.43	9.42	2.44	9.36	2.44	9.24	2.45
	6	8.94	2.31	8.82	2.33	8.70	2.35	8.64	2.36	8.58	2.36	8.46	2.37
	0	7.76	2.20	7.64	2.21	7.52	2.24	7.46	2.24	7.40	2.24	7.28	2.26
	-5	6.78	2.10	6.66	2.12	6.54	2.14	6.48	2.14	6.42	2.14	6.30	2.16
	-10	5.80	2.01	5.68	2.02	5.56	2.04	5.50	2.05	5.44	2.05	5.32	2.06
	-15	4.82	1.91	4.70	1.92	4.58	1.94	4.52	1.95	4.46	1.95	4.34	1.96

Heating

5 - rooms multisplit : 3 - units operation

Indoor units : 24 type + 10 type + 07 type 22 type + 13 type + 07 type
 13 type + 13 type + 07 type 24 type + 13 type + 07 type
 16 type + 13 type + 07 type 16 type + 16 type + 07 type
 18 type + 13 type + 07 type 18 type + 16 type + 07 type

TC : Total capacity [kW]
 PI : Power input [kW]

Outdoor unit : RAS-5M34U2AVG-E

Combination (Capacity)	Outdoor air temp. [°C WB]	Indoor air temp. [°C DB]											
		16		18		20		21		22		24	
		TC [kW]	PI [kW]	TC [kW]	PI [kW]	TC [kW]	PI [kW]	TC [kW]	PI [kW]	TC [kW]	PI [kW]	TC [kW]	PI [kW]
24 + 10 + 07	15	10.83	2.54	10.71	2.56	10.59	2.58	10.53	2.59	10.47	2.59	10.35	2.60
	10	9.84	2.44	9.71	2.46	9.59	2.48	9.53	2.49	9.47	2.49	9.35	2.50
	6	9.04	2.36	8.92	2.38	8.80	2.40	8.74	2.41	8.68	2.41	8.55	2.42
	0	7.85	2.25	7.73	2.26	7.61	2.28	7.55	2.29	7.49	2.29	7.37	2.30
	-5	6.86	2.15	6.74	2.16	6.62	2.18	6.56	2.19	6.50	2.19	6.37	2.20
	-10	5.87	2.05	5.74	2.06	5.62	2.08	5.56	2.09	5.50	2.09	5.38	2.10
	-15	4.87	1.95	4.75	1.97	4.63	1.99	4.57	1.99	4.51	1.99	4.39	2.00
13 + 13 + 07	15	10.71	2.49	10.59	2.50	10.47	2.53	10.41	2.53	10.35	2.53	10.23	2.55
	10	9.72	2.39	9.60	2.41	9.49	2.43	9.42	2.44	9.36	2.44	9.24	2.45
	6	8.94	2.31	8.82	2.33	8.70	2.35	8.64	2.36	8.58	2.36	8.46	2.37
	0	7.76	2.20	7.64	2.21	7.52	2.24	7.46	2.24	7.40	2.24	7.28	2.26
	-5	6.78	2.10	6.66	2.12	6.54	2.14	6.48	2.14	6.42	2.14	6.30	2.16
	-10	5.80	2.01	5.68	2.02	5.56	2.04	5.50	2.05	5.44	2.05	5.32	2.06
	-15	4.82	1.91	4.70	1.92	4.58	1.94	4.52	1.95	4.46	1.95	4.34	1.96
16 + 13 + 07	15	10.83	2.54	10.71	2.56	10.59	2.58	10.53	2.59	10.47	2.59	10.35	2.60
	10	9.84	2.44	9.71	2.46	9.59	2.48	9.53	2.49	9.47	2.49	9.35	2.50
	6	9.04	2.36	8.92	2.38	8.80	2.40	8.74	2.41	8.68	2.41	8.55	2.42
	0	7.85	2.25	7.73	2.26	7.61	2.28	7.55	2.29	7.49	2.29	7.37	2.30
	-5	6.86	2.15	6.74	2.16	6.62	2.18	6.56	2.19	6.50	2.19	6.37	2.20
	-10	5.87	2.05	5.74	2.06	5.62	2.08	5.56	2.09	5.50	2.09	5.38	2.10
	-15	4.87	1.95	4.75	1.97	4.63	1.99	4.57	1.99	4.51	1.99	4.39	2.00
18 + 13 + 07	15	10.83	2.54	10.71	2.56	10.59	2.58	10.53	2.59	10.47	2.59	10.35	2.60
	10	9.84	2.44	9.71	2.46	9.59	2.48	9.53	2.49	9.47	2.49	9.35	2.50
	6	9.04	2.36	8.92	2.38	8.80	2.40	8.74	2.41	8.68	2.41	8.55	2.42
	0	7.85	2.25	7.73	2.26	7.61	2.28	7.55	2.29	7.49	2.29	7.37	2.30
	-5	6.86	2.15	6.74	2.16	6.62	2.18	6.56	2.19	6.50	2.19	6.37	2.20
	-10	5.87	2.05	5.74	2.06	5.62	2.08	5.56	2.09	5.50	2.09	5.38	2.10
	-15	4.87	1.95	4.75	1.97	4.63	1.99	4.57	1.99	4.51	1.99	4.39	2.00
22 + 13 + 07	15	10.95	2.59	10.83	2.61	10.71	2.63	10.65	2.64	10.59	2.64	10.46	2.66
	10	9.95	2.49	9.83	2.51	9.70	2.53	9.64	2.54	9.58	2.54	9.46	2.56
	6	9.15	2.41	9.02	2.43	8.90	2.45	8.84	2.46	8.78	2.46	8.65	2.47
	0	7.94	2.29	7.82	2.31	7.70	2.33	7.64	2.34	7.57	2.34	7.45	2.35
	-5	6.94	2.19	6.82	2.21	6.69	2.23	6.63	2.24	6.57	2.24	6.45	2.25
	-10	5.93	2.09	5.81	2.11	5.69	2.13	5.62	2.13	5.56	2.13	5.44	2.15
	-15	4.93	1.99	4.80	2.01	4.68	2.03	4.62	2.03	4.56	2.03	4.44	2.05
24 + 13 + 07	15	10.95	2.59	10.83	2.61	10.71	2.63	10.65	2.64	10.59	2.64	10.46	2.66
	10	9.95	2.49	9.83	2.51	9.70	2.53	9.64	2.54	9.58	2.54	9.46	2.56
	6	9.15	2.41	9.02	2.43	8.90	2.45	8.84	2.46	8.78	2.46	8.65	2.47
	0	7.94	2.29	7.82	2.31	7.70	2.33	7.64	2.34	7.57	2.34	7.45	2.35
	-5	6.94	2.19	6.82	2.21	6.69	2.23	6.63	2.24	6.57	2.24	6.45	2.25
	-10	5.93	2.09	5.81	2.11	5.69	2.13	5.62	2.13	5.56	2.13	5.44	2.15
	-15	4.93	1.99	4.80	2.01	4.68	2.03	4.62	2.03	4.56	2.03	4.44	2.05
16 + 16 + 07	15	10.95	2.59	10.83	2.61	10.71	2.63	10.65	2.64	10.59	2.64	10.46	2.66
	10	9.95	2.49	9.83	2.51	9.70	2.53	9.64	2.54	9.58	2.54	9.46	2.56
	6	9.15	2.41	9.02	2.43	8.90	2.45	8.84	2.46	8.78	2.46	8.65	2.47
	0	7.94	2.29	7.82	2.31	7.70	2.33	7.64	2.34	7.57	2.34	7.45	2.35
	-5	6.94	2.19	6.82	2.21	6.69	2.23	6.63	2.24	6.57	2.24	6.45	2.25
	-10	5.93	2.09	5.81	2.11	5.69	2.13	5.62	2.13	5.56	2.13	5.44	2.15
	-15	4.93	1.99	4.80	2.01	4.68	2.03	4.62	2.03	4.56	2.03	4.44	2.05
18 + 16 + 07	15	10.95	2.59	10.83	2.61	10.71	2.63	10.65	2.64	10.59	2.64	10.46	2.66
	10	9.95	2.49	9.83	2.51	9.70	2.53	9.64	2.54	9.58	2.54	9.46	2.56
	6	9.15	2.41	9.02	2.43	8.90	2.45	8.84	2.46	8.78	2.46	8.65	2.47
	0	7.94	2.29	7.82	2.31	7.70	2.33	7.64	2.34	7.57	2.34	7.45	2.35
	-5	6.94	2.19	6.82	2.21	6.69	2.23	6.63	2.24	6.57	2.24	6.45	2.25
	-10	5.93	2.09	5.81	2.11	5.69	2.13	5.62	2.13	5.56	2.13	5.44	2.15
	-15	4.93	1.99	4.80	2.01	4.68	2.03	4.62	2.03	4.56	2.03	4.44	2.05

Heating

5 - rooms multisplit : 3 - units operation

Indoor units : 22 type + 16 type + 07 type 24 type + 18 type + 07 type
 24 type + 16 type + 07 type 22 type + 22 type + 07 type
 18 type + 18 type + 07 type 24 type + 22 type + 07 type
 22 type + 18 type + 07 type 24 type + 24 type + 07 type

TC : Total capacity [kW]
 PI : Power input [kW]

Outdoor unit : RAS-5M34U2AVG-E

Combination (Capacity)	Outdoor air temp. [°C WB]	Indoor air temp. [°C DB]											
		16		18		20		21		22		24	
		TC [kW]	PI [kW]	TC [kW]	PI [kW]	TC [kW]	PI [kW]	TC [kW]	PI [kW]	TC [kW]	PI [kW]	TC [kW]	PI [kW]
22 + 16 + 07	15	10.95	2.59	10.83	2.61	10.71	2.63	10.65	2.64	10.59	2.64	10.46	2.66
	10	9.95	2.49	9.83	2.51	9.70	2.53	9.64	2.54	9.58	2.54	9.46	2.56
	6	9.15	2.41	9.02	2.43	8.90	2.45	8.84	2.46	8.78	2.46	8.65	2.47
	0	7.94	2.29	7.82	2.31	7.70	2.33	7.64	2.34	7.57	2.34	7.45	2.35
	-5	6.94	2.19	6.82	2.21	6.69	2.23	6.63	2.24	6.57	2.24	6.45	2.25
	-10	5.93	2.09	5.81	2.11	5.69	2.13	5.62	2.13	5.56	2.13	5.44	2.15
	-15	4.93	1.99	4.80	2.01	4.68	2.03	4.62	2.03	4.56	2.03	4.44	2.05
24 + 16 + 07	15	10.95	2.59	10.83	2.61	10.71	2.63	10.65	2.64	10.59	2.64	10.46	2.66
	10	9.95	2.49	9.83	2.51	9.70	2.53	9.64	2.54	9.58	2.54	9.46	2.56
	6	9.15	2.41	9.02	2.43	8.90	2.45	8.84	2.46	8.78	2.46	8.65	2.47
	0	7.94	2.29	7.82	2.31	7.70	2.33	7.64	2.34	7.57	2.34	7.45	2.35
	-5	6.94	2.19	6.82	2.21	6.69	2.23	6.63	2.24	6.57	2.24	6.45	2.25
	-10	5.93	2.09	5.81	2.11	5.69	2.13	5.62	2.13	5.56	2.13	5.44	2.15
	-15	4.93	1.99	4.80	2.01	4.68	2.03	4.62	2.03	4.56	2.03	4.44	2.05
18 + 18 + 07	15	10.95	2.59	10.83	2.61	10.71	2.63	10.65	2.64	10.59	2.64	10.46	2.66
	10	9.95	2.49	9.83	2.51	9.70	2.53	9.64	2.54	9.58	2.54	9.46	2.56
	6	9.15	2.41	9.02	2.43	8.90	2.45	8.84	2.46	8.78	2.46	8.65	2.47
	0	7.94	2.29	7.82	2.31	7.70	2.33	7.64	2.34	7.57	2.34	7.45	2.35
	-5	6.94	2.19	6.82	2.21	6.69	2.23	6.63	2.24	6.57	2.24	6.45	2.25
	-10	5.93	2.09	5.81	2.11	5.69	2.13	5.62	2.13	5.56	2.13	5.44	2.15
	-15	4.93	1.99	4.80	2.01	4.68	2.03	4.62	2.03	4.56	2.03	4.44	2.05
22 + 18 + 07	15	10.95	2.59	10.83	2.61	10.71	2.63	10.65	2.64	10.59	2.64	10.46	2.66
	10	9.95	2.49	9.83	2.51	9.70	2.53	9.64	2.54	9.58	2.54	9.46	2.56
	6	9.15	2.41	9.02	2.43	8.90	2.45	8.84	2.46	8.78	2.46	8.65	2.47
	0	7.94	2.29	7.82	2.31	7.70	2.33	7.64	2.34	7.57	2.34	7.45	2.35
	-5	6.94	2.19	6.82	2.21	6.69	2.23	6.63	2.24	6.57	2.24	6.45	2.25
	-10	5.93	2.09	5.81	2.11	5.69	2.13	5.62	2.13	5.56	2.13	5.44	2.15
	-15	4.93	1.99	4.80	2.01	4.68	2.03	4.62	2.03	4.56	2.03	4.44	2.05
24 + 18 + 07	15	10.95	2.59	10.83	2.61	10.71	2.63	10.65	2.64	10.59	2.64	10.46	2.66
	10	9.95	2.49	9.83	2.51	9.70	2.53	9.64	2.54	9.58	2.54	9.46	2.56
	6	9.15	2.41	9.02	2.43	8.90	2.45	8.84	2.46	8.78	2.46	8.65	2.47
	0	7.94	2.29	7.82	2.31	7.70	2.33	7.64	2.34	7.57	2.34	7.45	2.35
	-5	6.94	2.19	6.82	2.21	6.69	2.23	6.63	2.24	6.57	2.24	6.45	2.25
	-10	5.93	2.09	5.81	2.11	5.69	2.13	5.62	2.13	5.56	2.13	5.44	2.15
	-15	4.93	1.99	4.80	2.01	4.68	2.03	4.62	2.03	4.56	2.03	4.44	2.05
22 + 22 + 07	15	11.32	2.38	11.20	2.40	11.07	2.42	11.01	2.43	10.94	2.43	10.82	2.44
	10	10.28	2.29	10.16	2.30	10.03	2.33	9.97	2.33	9.90	2.33	9.77	2.35
	6	9.45	2.21	9.33	2.23	9.20	2.25	9.13	2.26	9.07	2.26	8.94	2.27
	0	8.21	2.11	8.08	2.12	7.95	2.14	7.89	2.15	7.83	2.15	7.70	2.16
	-5	7.17	2.01	7.04	2.03	6.92	2.05	6.85	2.05	6.79	2.05	6.66	2.07
	-10	6.13	1.92	6.00	1.93	5.88	1.95	5.81	1.96	5.75	1.96	5.62	1.97
	-15	5.09	1.83	4.97	1.84	4.84	1.86	4.78	1.87	4.71	1.87	4.58	1.88
24 + 22 + 07	15	11.45	2.40	11.32	2.42	11.19	2.44	11.13	2.45	11.06	2.45	10.93	2.46
	10	10.40	2.31	10.27	2.32	10.14	2.35	10.07	2.35	10.01	2.35	9.88	2.37
	6	9.56	2.23	9.43	2.25	9.30	2.27	9.23	2.28	9.17	2.28	9.04	2.29
	0	8.30	2.12	8.17	2.14	8.04	2.16	7.98	2.17	7.91	2.17	7.79	2.18
	-5	7.25	2.03	7.12	2.04	6.99	2.07	6.93	2.07	6.87	2.07	6.74	2.08
	-10	6.20	1.94	6.07	1.95	5.94	1.97	5.88	1.98	5.81	1.98	5.68	1.99
	-15	5.15	1.85	5.02	1.86	4.89	1.88	4.83	1.88	4.76	1.88	4.63	1.89
24 + 24 + 07	15	11.57	2.42	11.44	2.44	11.31	2.46	11.25	2.47	11.18	2.47	11.05	2.49
	10	10.51	2.33	10.38	2.34	10.25	2.37	10.18	2.37	10.12	2.37	9.99	2.39
	6	9.66	2.25	9.53	2.27	9.40	2.29	9.33	2.30	9.27	2.30	9.14	2.31
	0	8.39	2.14	8.26	2.16	8.13	2.18	8.06	2.18	8.00	2.18	7.87	2.20
	-5	7.33	2.05	7.20	2.06	7.07	2.08	7.00	2.09	6.94	2.09	6.81	2.10
	-10	6.27	1.96	6.14	1.97	6.01	1.99	5.94	1.99	5.87	1.99	5.74	2.01
	-15	5.20	1.86	5.07	1.88	4.95	1.89	4.88	1.90	4.81	1.90	4.68	1.91

Heating

5 - rooms multisplit : 3 - units operation

Indoor units : 10 type + 10 type + 10 type 22 type + 10 type + 10 type
 13 type + 10 type + 10 type 24 type + 10 type + 10 type
 16 type + 10 type + 10 type 13 type + 13 type + 10 type
 18 type + 10 type + 10 type 16 type + 13 type + 10 type

TC : Total capacity [kW]
 PI : Power input [kW]

Outdoor unit : RAS-5M34U2AVG-E

Combination (Capacity)	Outdoor air temp. [°C WB]	Indoor air temp. [°C DB]											
		16		18		20		21		22		24	
		TC [kW]	PI [kW]	TC [kW]	PI [kW]	TC [kW]	PI [kW]	TC [kW]	PI [kW]	TC [kW]	PI [kW]	TC [kW]	PI [kW]
10 + 10 + 10	15	10.58	2.43	10.47	2.45	10.35	2.47	10.29	2.48	10.23	2.48	10.11	2.50
	10	9.61	2.34	9.49	2.35	9.38	2.38	9.32	2.38	9.26	2.38	9.14	2.40
	6	8.84	2.26	8.72	2.28	8.60	2.30	8.54	2.31	8.48	2.31	8.36	2.32
	0	7.67	2.15	7.56	2.17	7.44	2.19	7.38	2.19	7.32	2.19	7.20	2.21
	-5	6.70	2.06	6.59	2.07	6.47	2.09	6.41	2.10	6.35	2.10	6.23	2.11
	-10	5.73	1.96	5.61	1.98	5.50	2.00	5.43	2.00	5.37	2.00	5.26	2.02
	-15	4.76	1.87	4.64	1.88	4.53	1.90	4.46	1.91	4.40	1.91	4.29	1.92
13 + 10 + 10	15	10.71	2.49	10.59	2.50	10.47	2.53	10.41	2.53	10.35	2.53	10.23	2.55
	10	9.72	2.39	9.60	2.41	9.49	2.43	9.42	2.44	9.36	2.44	9.24	2.45
	6	8.94	2.31	8.82	2.33	8.70	2.35	8.64	2.36	8.58	2.36	8.46	2.37
	0	7.76	2.20	7.64	2.21	7.52	2.24	7.46	2.24	7.40	2.24	7.28	2.26
	-5	6.78	2.10	6.66	2.12	6.54	2.14	6.48	2.14	6.42	2.14	6.30	2.16
	-10	5.80	2.01	5.68	2.02	5.56	2.04	5.50	2.05	5.44	2.05	5.32	2.06
	-15	4.82	1.91	4.70	1.92	4.58	1.94	4.52	1.95	4.46	1.95	4.34	1.96
16 + 10 + 10	15	10.71	2.49	10.59	2.50	10.47	2.53	10.41	2.53	10.35	2.53	10.23	2.55
	10	9.72	2.39	9.60	2.41	9.49	2.43	9.42	2.44	9.36	2.44	9.24	2.45
	6	8.94	2.31	8.82	2.33	8.70	2.35	8.64	2.36	8.58	2.36	8.46	2.37
	0	7.76	2.20	7.64	2.21	7.52	2.24	7.46	2.24	7.40	2.24	7.28	2.26
	-5	6.78	2.10	6.66	2.12	6.54	2.14	6.48	2.14	6.42	2.14	6.30	2.16
	-10	5.80	2.01	5.68	2.02	5.56	2.04	5.50	2.05	5.44	2.05	5.32	2.06
	-15	4.82	1.91	4.70	1.92	4.58	1.94	4.52	1.95	4.46	1.95	4.34	1.96
18 + 10 + 10	15	10.71	2.49	10.59	2.50	10.47	2.53	10.41	2.53	10.35	2.53	10.23	2.55
	10	9.72	2.39	9.60	2.41	9.49	2.43	9.42	2.44	9.36	2.44	9.24	2.45
	6	8.94	2.31	8.82	2.33	8.70	2.35	8.64	2.36	8.58	2.36	8.46	2.37
	0	7.76	2.20	7.64	2.21	7.52	2.24	7.46	2.24	7.40	2.24	7.28	2.26
	-5	6.78	2.10	6.66	2.12	6.54	2.14	6.48	2.14	6.42	2.14	6.30	2.16
	-10	5.80	2.01	5.68	2.02	5.56	2.04	5.50	2.05	5.44	2.05	5.32	2.06
	-15	4.82	1.91	4.70	1.92	4.58	1.94	4.52	1.95	4.46	1.95	4.34	1.96
22 + 10 + 10	15	10.95	2.59	10.83	2.61	10.71	2.63	10.65	2.64	10.59	2.64	10.46	2.66
	10	9.95	2.49	9.83	2.51	9.70	2.53	9.64	2.54	9.58	2.54	9.46	2.56
	6	9.15	2.41	9.02	2.43	8.90	2.45	8.84	2.46	8.78	2.46	8.65	2.47
	0	7.94	2.29	7.82	2.31	7.70	2.33	7.64	2.34	7.57	2.34	7.45	2.35
	-5	6.94	2.19	6.82	2.21	6.69	2.23	6.63	2.24	6.57	2.24	6.45	2.25
	-10	5.93	2.09	5.81	2.11	5.69	2.13	5.62	2.13	5.56	2.13	5.44	2.15
	-15	4.93	1.99	4.80	2.01	4.68	2.03	4.62	2.03	4.56	2.03	4.44	2.05
24 + 10 + 10	15	10.95	2.59	10.83	2.61	10.71	2.63	10.65	2.64	10.59	2.64	10.46	2.66
	10	9.95	2.49	9.83	2.51	9.70	2.53	9.64	2.54	9.58	2.54	9.46	2.56
	6	9.15	2.41	9.02	2.43	8.90	2.45	8.84	2.46	8.78	2.46	8.65	2.47
	0	7.94	2.29	7.82	2.31	7.70	2.33	7.64	2.34	7.57	2.34	7.45	2.35
	-5	6.94	2.19	6.82	2.21	6.69	2.23	6.63	2.24	6.57	2.24	6.45	2.25
	-10	5.93	2.09	5.81	2.11	5.69	2.13	5.62	2.13	5.56	2.13	5.44	2.15
	-15	4.93	1.99	4.80	2.01	4.68	2.03	4.62	2.03	4.56	2.03	4.44	2.05
13 + 13 + 10	15	10.71	2.49	10.59	2.50	10.47	2.53	10.41	2.53	10.35	2.53	10.23	2.55
	10	9.72	2.39	9.60	2.41	9.49	2.43	9.42	2.44	9.36	2.44	9.24	2.45
	6	8.94	2.31	8.82	2.33	8.70	2.35	8.64	2.36	8.58	2.36	8.46	2.37
	0	7.76	2.20	7.64	2.21	7.52	2.24	7.46	2.24	7.40	2.24	7.28	2.26
	-5	6.78	2.10	6.66	2.12	6.54	2.14	6.48	2.14	6.42	2.14	6.30	2.16
	-10	5.80	2.01	5.68	2.02	5.56	2.04	5.50	2.05	5.44	2.05	5.32	2.06
	-15	4.82	1.91	4.70	1.92	4.58	1.94	4.52	1.95	4.46	1.95	4.34	1.96
16 + 13 + 10	15	10.83	2.54	10.71	2.56	10.59	2.58	10.53	2.59	10.47	2.59	10.35	2.60
	10	9.84	2.44	9.71	2.46	9.59	2.48	9.53	2.49	9.47	2.49	9.35	2.50
	6	9.04	2.36	8.92	2.38	8.80	2.40	8.74	2.41	8.68	2.41	8.55	2.42
	0	7.85	2.25	7.73	2.26	7.61	2.28	7.55	2.29	7.49	2.29	7.37	2.30
	-5	6.86	2.15	6.74	2.16	6.62	2.18	6.56	2.19	6.50	2.19	6.37	2.20
	-10	5.87	2.05	5.74	2.06	5.62	2.08	5.56	2.09	5.50	2.09	5.38	2.10
	-15	4.87	1.95	4.75	1.97	4.63	1.99	4.57	1.99	4.51	1.99	4.39	2.00

Heating

5 - rooms multisplit : 3 - units operation

Indoor units : 18 type + 13 type + 10 type 18 type + 16 type + 10 type
 22 type + 13 type + 10 type 22 type + 16 type + 10 type
 24 type + 13 type + 10 type 24 type + 16 type + 10 type
 16 type + 16 type + 10 type 18 type + 18 type + 10 type

TC : Total capacity [kW]

PI : Power input [kW]

Outdoor unit : RAS-5M34U2AVG-E

Combination (Capacity)	Outdoor air temp. [°C WB]	Indoor air temp. [°C DB]											
		16		18		20		21		22		24	
		TC [kW]	PI [kW]	TC [kW]	PI [kW]	TC [kW]	PI [kW]	TC [kW]	PI [kW]	TC [kW]	PI [kW]	TC [kW]	PI [kW]
18 + 13 + 10	15	10.95	2.59	10.83	2.61	10.71	2.63	10.65	2.64	10.59	2.64	10.46	2.66
	10	9.95	2.49	9.83	2.51	9.70	2.53	9.64	2.54	9.58	2.54	9.46	2.56
	6	9.15	2.41	9.02	2.43	8.90	2.45	8.84	2.46	8.78	2.46	8.65	2.47
	0	7.94	2.29	7.82	2.31	7.70	2.33	7.64	2.34	7.57	2.34	7.45	2.35
	-5	6.94	2.19	6.82	2.21	6.69	2.23	6.63	2.24	6.57	2.24	6.45	2.25
	-10	5.93	2.09	5.81	2.11	5.69	2.13	5.62	2.13	5.56	2.13	5.44	2.15
	-15	4.93	1.99	4.80	2.01	4.68	2.03	4.62	2.03	4.56	2.03	4.44	2.05
22 + 13 + 10	15	10.95	2.59	10.83	2.61	10.71	2.63	10.65	2.64	10.59	2.64	10.46	2.66
	10	9.95	2.49	9.83	2.51	9.70	2.53	9.64	2.54	9.58	2.54	9.46	2.56
	6	9.15	2.41	9.02	2.43	8.90	2.45	8.84	2.46	8.78	2.46	8.65	2.47
	0	7.94	2.29	7.82	2.31	7.70	2.33	7.64	2.34	7.57	2.34	7.45	2.35
	-5	6.94	2.19	6.82	2.21	6.69	2.23	6.63	2.24	6.57	2.24	6.45	2.25
	-10	5.93	2.09	5.81	2.11	5.69	2.13	5.62	2.13	5.56	2.13	5.44	2.15
	-15	4.93	1.99	4.80	2.01	4.68	2.03	4.62	2.03	4.56	2.03	4.44	2.05
24 + 13 + 10	15	10.95	2.59	10.83	2.61	10.71	2.63	10.65	2.64	10.59	2.64	10.46	2.66
	10	9.95	2.49	9.83	2.51	9.70	2.53	9.64	2.54	9.58	2.54	9.46	2.56
	6	9.15	2.41	9.02	2.43	8.90	2.45	8.84	2.46	8.78	2.46	8.65	2.47
	0	7.94	2.29	7.82	2.31	7.70	2.33	7.64	2.34	7.57	2.34	7.45	2.35
	-5	6.94	2.19	6.82	2.21	6.69	2.23	6.63	2.24	6.57	2.24	6.45	2.25
	-10	5.93	2.09	5.81	2.11	5.69	2.13	5.62	2.13	5.56	2.13	5.44	2.15
	-15	4.93	1.99	4.80	2.01	4.68	2.03	4.62	2.03	4.56	2.03	4.44	2.05
16 + 16 + 10	15	10.95	2.59	10.83	2.61	10.71	2.63	10.65	2.64	10.59	2.64	10.46	2.66
	10	9.95	2.49	9.83	2.51	9.70	2.53	9.64	2.54	9.58	2.54	9.46	2.56
	6	9.15	2.41	9.02	2.43	8.90	2.45	8.84	2.46	8.78	2.46	8.65	2.47
	0	7.94	2.29	7.82	2.31	7.70	2.33	7.64	2.34	7.57	2.34	7.45	2.35
	-5	6.94	2.19	6.82	2.21	6.69	2.23	6.63	2.24	6.57	2.24	6.45	2.25
	-10	5.93	2.09	5.81	2.11	5.69	2.13	5.62	2.13	5.56	2.13	5.44	2.15
	-15	4.93	1.99	4.80	2.01	4.68	2.03	4.62	2.03	4.56	2.03	4.44	2.05
18 + 16 + 10	15	10.95	2.59	10.83	2.61	10.71	2.63	10.65	2.64	10.59	2.64	10.46	2.66
	10	9.95	2.49	9.83	2.51	9.70	2.53	9.64	2.54	9.58	2.54	9.46	2.56
	6	9.15	2.41	9.02	2.43	8.90	2.45	8.84	2.46	8.78	2.46	8.65	2.47
	0	7.94	2.29	7.82	2.31	7.70	2.33	7.64	2.34	7.57	2.34	7.45	2.35
	-5	6.94	2.19	6.82	2.21	6.69	2.23	6.63	2.24	6.57	2.24	6.45	2.25
	-10	5.93	2.09	5.81	2.11	5.69	2.13	5.62	2.13	5.56	2.13	5.44	2.15
	-15	4.93	1.99	4.80	2.01	4.68	2.03	4.62	2.03	4.56	2.03	4.44	2.05
22 + 16 + 10	15	10.95	2.59	10.83	2.61	10.71	2.63	10.65	2.64	10.59	2.64	10.46	2.66
	10	9.95	2.49	9.83	2.51	9.70	2.53	9.64	2.54	9.58	2.54	9.46	2.56
	6	9.15	2.41	9.02	2.43	8.90	2.45	8.84	2.46	8.78	2.46	8.65	2.47
	0	7.94	2.29	7.82	2.31	7.70	2.33	7.64	2.34	7.57	2.34	7.45	2.35
	-5	6.94	2.19	6.82	2.21	6.69	2.23	6.63	2.24	6.57	2.24	6.45	2.25
	-10	5.93	2.09	5.81	2.11	5.69	2.13	5.62	2.13	5.56	2.13	5.44	2.15
	-15	4.93	1.99	4.80	2.01	4.68	2.03	4.62	2.03	4.56	2.03	4.44	2.05
24 + 16 + 10	15	10.95	2.59	10.83	2.61	10.71	2.63	10.65	2.64	10.59	2.64	10.46	2.66
	10	9.95	2.49	9.83	2.51	9.70	2.53	9.64	2.54	9.58	2.54	9.46	2.56
	6	9.15	2.41	9.02	2.43	8.90	2.45	8.84	2.46	8.78	2.46	8.65	2.47
	0	7.94	2.29	7.82	2.31	7.70	2.33	7.64	2.34	7.57	2.34	7.45	2.35
	-5	6.94	2.19	6.82	2.21	6.69	2.23	6.63	2.24	6.57	2.24	6.45	2.25
	-10	5.93	2.09	5.81	2.11	5.69	2.13	5.62	2.13	5.56	2.13	5.44	2.15
	-15	4.93	1.99	4.80	2.01	4.68	2.03	4.62	2.03	4.56	2.03	4.44	2.05
18 + 18 + 10	15	10.95	2.59	10.83	2.61	10.71	2.63	10.65	2.64	10.59	2.64	10.46	2.66
	10	9.95	2.49	9.83	2.51	9.70	2.53	9.64	2.54	9.58	2.54	9.46	2.56
	6	9.15	2.41	9.02	2.43	8.90	2.45	8.84	2.46	8.78	2.46	8.65	2.47
	0	7.94	2.29	7.82	2.31	7.70	2.33	7.64	2.34	7.57	2.34	7.45	2.35
	-5	6.94	2.19	6.82	2.21	6.69	2.23	6.63	2.24	6.57	2.24	6.45	2.25
	-10	5.93	2.09	5.81	2.11	5.69	2.13	5.62	2.13	5.56	2.13	5.44	2.15
	-15	4.93	1.99	4.80	2.01	4.68	2.03	4.62	2.03	4.56	2.03	4.44	2.05

Heating

5 - rooms multisplit : 3 - units operation

Indoor units : 22 type + 18 type + 10 type 24 type + 24 type + 10 type
 24 type + 18 type + 10 type 13 type + 13 type + 13 type
 22 type + 22 type + 10 type 16 type + 13 type + 13 type
 24 type + 22 type + 10 type 18 type + 13 type + 13 type

TC : Total capacity [kW]

PI : Power input [kW]

Outdoor unit : RAS-5M34U2AVG-E

Combination (Capacity)	Outdoor air temp. [°C WB]	Indoor air temp. [°C DB]											
		16		18		20		21		22		24	
		TC [kW]	PI [kW]	TC [kW]	PI [kW]	TC [kW]	PI [kW]	TC [kW]	PI [kW]	TC [kW]	PI [kW]	TC [kW]	PI [kW]
22 + 18 + 10	15	11.32	2.38	11.20	2.40	11.07	2.42	11.01	2.43	10.94	2.43	10.82	2.44
	10	10.28	2.29	10.16	2.30	10.03	2.33	9.97	2.33	9.90	2.33	9.77	2.35
	6	9.45	2.21	9.33	2.23	9.20	2.25	9.13	2.26	9.07	2.26	8.94	2.27
	0	8.21	2.11	8.08	2.12	7.95	2.14	7.89	2.15	7.83	2.15	7.70	2.16
	-5	7.17	2.01	7.04	2.03	6.92	2.05	6.85	2.05	6.79	2.05	6.66	2.07
	-10	6.13	1.92	6.00	1.93	5.88	1.95	5.81	1.96	5.75	1.96	5.62	1.97
	-15	5.09	1.83	4.97	1.84	4.84	1.86	4.78	1.87	4.71	1.87	4.58	1.88
24 + 18 + 10	15	11.45	2.40	11.32	2.42	11.19	2.44	11.13	2.45	11.06	2.45	10.93	2.46
	10	10.40	2.31	10.27	2.32	10.14	2.35	10.07	2.35	10.01	2.35	9.88	2.37
	6	9.56	2.23	9.43	2.25	9.30	2.27	9.23	2.28	9.17	2.28	9.04	2.29
	0	8.30	2.12	8.17	2.14	8.04	2.16	7.98	2.17	7.91	2.17	7.79	2.18
	-5	7.25	2.03	7.12	2.04	6.99	2.07	6.93	2.07	6.87	2.07	6.74	2.08
	-10	6.20	1.94	6.07	1.95	5.94	1.97	5.88	1.98	5.81	1.98	5.68	1.99
	-15	5.15	1.85	5.02	1.86	4.89	1.88	4.83	1.88	4.76	1.88	4.63	1.89
22 + 22 + 10	15	11.45	2.40	11.32	2.42	11.19	2.44	11.13	2.45	11.06	2.45	10.93	2.46
	10	10.40	2.31	10.27	2.32	10.14	2.35	10.07	2.35	10.01	2.35	9.88	2.37
	6	9.56	2.23	9.43	2.25	9.30	2.27	9.23	2.28	9.17	2.28	9.04	2.29
	0	8.30	2.12	8.17	2.14	8.04	2.16	7.98	2.17	7.91	2.17	7.79	2.18
	-5	7.25	2.03	7.12	2.04	6.99	2.07	6.93	2.07	6.87	2.07	6.74	2.08
	-10	6.20	1.94	6.07	1.95	5.94	1.97	5.88	1.98	5.81	1.98	5.68	1.99
	-15	5.15	1.85	5.02	1.86	4.89	1.88	4.83	1.88	4.76	1.88	4.63	1.89
24 + 22 + 10	15	11.57	2.42	11.44	2.44	11.31	2.46	11.25	2.47	11.18	2.47	11.05	2.49
	10	10.51	2.33	10.38	2.34	10.25	2.37	10.18	2.37	10.12	2.37	9.99	2.39
	6	9.66	2.25	9.53	2.27	9.40	2.29	9.33	2.30	9.27	2.30	9.14	2.31
	0	8.39	2.14	8.26	2.16	8.13	2.18	8.06	2.18	8.00	2.18	7.87	2.20
	-5	7.33	2.05	7.20	2.06	7.07	2.08	7.00	2.09	6.94	2.09	6.81	2.10
	-10	6.27	1.96	6.14	1.97	6.01	1.99	5.94	1.99	5.87	1.99	5.74	2.01
	-15	5.20	1.86	5.07	1.88	4.95	1.89	4.88	1.90	4.81	1.90	4.68	1.91
24 + 24 + 10	15	11.57	2.42	11.44	2.44	11.31	2.46	11.25	2.47	11.18	2.47	11.05	2.49
	10	10.51	2.33	10.38	2.34	10.25	2.37	10.18	2.37	10.12	2.37	9.99	2.39
	6	9.66	2.25	9.53	2.27	9.40	2.29	9.33	2.30	9.27	2.30	9.14	2.31
	0	8.39	2.14	8.26	2.16	8.13	2.18	8.06	2.18	8.00	2.18	7.87	2.20
	-5	7.33	2.05	7.20	2.06	7.07	2.08	7.00	2.09	6.94	2.09	6.81	2.10
	-10	6.27	1.96	6.14	1.97	6.01	1.99	5.94	1.99	5.87	1.99	5.74	2.01
	-15	5.20	1.86	5.07	1.88	4.95	1.89	4.88	1.90	4.81	1.90	4.68	1.91
13 + 13 + 13	15	10.83	2.54	10.71	2.56	10.59	2.58	10.53	2.59	10.47	2.59	10.35	2.60
	10	9.84	2.44	9.71	2.46	9.59	2.48	9.53	2.49	9.47	2.49	9.35	2.50
	6	9.04	2.36	8.92	2.38	8.80	2.40	8.74	2.41	8.68	2.41	8.55	2.42
	0	7.85	2.25	7.73	2.26	7.61	2.28	7.55	2.29	7.49	2.29	7.37	2.30
	-5	6.86	2.15	6.74	2.16	6.62	2.18	6.56	2.19	6.50	2.19	6.37	2.20
	-10	5.87	2.05	5.74	2.06	5.62	2.08	5.56	2.09	5.50	2.09	5.38	2.10
	-15	4.87	1.95	4.75	1.97	4.63	1.99	4.57	1.99	4.51	1.99	4.39	2.00
16 + 13 + 13	15	10.95	2.59	10.83	2.61	10.71	2.63	10.65	2.64	10.59	2.64	10.46	2.66
	10	9.95	2.49	9.83	2.51	9.70	2.53	9.64	2.54	9.58	2.54	9.46	2.56
	6	9.15	2.41	9.02	2.43	8.90	2.45	8.84	2.46	8.78	2.46	8.65	2.47
	0	7.94	2.29	7.82	2.31	7.70	2.33	7.64	2.34	7.57	2.34	7.45	2.35
	-5	6.94	2.19	6.82	2.21	6.69	2.23	6.63	2.24	6.57	2.24	6.45	2.25
	-10	5.93	2.09	5.81	2.11	5.69	2.13	5.62	2.13	5.56	2.13	5.44	2.15
	-15	4.93	1.99	4.80	2.01	4.68	2.03	4.62	2.03	4.56	2.03	4.44	2.05
18 + 13 + 13	15	10.95	2.59	10.83	2.61	10.71	2.63	10.65	2.64	10.59	2.64	10.46	2.66
	10	9.95	2.49	9.83	2.51	9.70	2.53	9.64	2.54	9.58	2.54	9.46	2.56
	6	9.15	2.41	9.02	2.43	8.90	2.45	8.84	2.46	8.78	2.46	8.65	2.47
	0	7.94	2.29	7.82	2.31	7.70	2.33	7.64	2.34	7.57	2.34	7.45	2.35
	-5	6.94	2.19	6.82	2.21	6.69	2.23	6.63	2.24	6.57	2.24	6.45	2.25
	-10	5.93	2.09	5.81	2.11	5.69	2.13	5.62	2.13	5.56	2.13	5.44	2.15
	-15	4.93	1.99	4.80	2.01	4.68	2.03	4.62	2.03	4.56	2.03	4.44	2.05

Heating

5 - rooms multisplit : 3 - units operation

Indoor units : 22 type + 13 type + 13 type 22 type + 16 type + 13 type
 24 type + 13 type + 13 type 24 type + 16 type + 13 type
 16 type + 16 type + 13 type 18 type + 18 type + 13 type
 18 type + 16 type + 13 type 22 type + 18 type + 13 type

TC : Total capacity [kW]
 PI : Power input [kW]

Outdoor unit : RAS-5M34U2AVG-E

Combination (Capacity)	Outdoor air temp. [°C WB]	Indoor air temp. [°C DB]											
		16		18		20		21		22		24	
		TC [kW]	PI [kW]	TC [kW]	PI [kW]	TC [kW]	PI [kW]	TC [kW]	PI [kW]	TC [kW]	PI [kW]	TC [kW]	PI [kW]
22 + 13 + 13	15	10.95	2.59	10.83	2.61	10.71	2.63	10.65	2.64	10.59	2.64	10.46	2.66
	10	9.95	2.49	9.83	2.51	9.70	2.53	9.64	2.54	9.58	2.54	9.46	2.56
	6	9.15	2.41	9.02	2.43	8.90	2.45	8.84	2.46	8.78	2.46	8.65	2.47
	0	7.94	2.29	7.82	2.31	7.70	2.33	7.64	2.34	7.57	2.34	7.45	2.35
	-5	6.94	2.19	6.82	2.21	6.69	2.23	6.63	2.24	6.57	2.24	6.45	2.25
	-10	5.93	2.09	5.81	2.11	5.69	2.13	5.62	2.13	5.56	2.13	5.44	2.15
	-15	4.93	1.99	4.80	2.01	4.68	2.03	4.62	2.03	4.56	2.03	4.44	2.05
24 + 13 + 13	15	10.95	2.59	10.83	2.61	10.71	2.63	10.65	2.64	10.59	2.64	10.46	2.66
	10	9.95	2.49	9.83	2.51	9.70	2.53	9.64	2.54	9.58	2.54	9.46	2.56
	6	9.15	2.41	9.02	2.43	8.90	2.45	8.84	2.46	8.78	2.46	8.65	2.47
	0	7.94	2.29	7.82	2.31	7.70	2.33	7.64	2.34	7.57	2.34	7.45	2.35
	-5	6.94	2.19	6.82	2.21	6.69	2.23	6.63	2.24	6.57	2.24	6.45	2.25
	-10	5.93	2.09	5.81	2.11	5.69	2.13	5.62	2.13	5.56	2.13	5.44	2.15
	-15	4.93	1.99	4.80	2.01	4.68	2.03	4.62	2.03	4.56	2.03	4.44	2.05
16 + 16 + 13	15	10.95	2.59	10.83	2.61	10.71	2.63	10.65	2.64	10.59	2.64	10.46	2.66
	10	9.95	2.49	9.83	2.51	9.70	2.53	9.64	2.54	9.58	2.54	9.46	2.56
	6	9.15	2.41	9.02	2.43	8.90	2.45	8.84	2.46	8.78	2.46	8.65	2.47
	0	7.94	2.29	7.82	2.31	7.70	2.33	7.64	2.34	7.57	2.34	7.45	2.35
	-5	6.94	2.19	6.82	2.21	6.69	2.23	6.63	2.24	6.57	2.24	6.45	2.25
	-10	5.93	2.09	5.81	2.11	5.69	2.13	5.62	2.13	5.56	2.13	5.44	2.15
	-15	4.93	1.99	4.80	2.01	4.68	2.03	4.62	2.03	4.56	2.03	4.44	2.05
18 + 16 + 13	15	10.95	2.59	10.83	2.61	10.71	2.63	10.65	2.64	10.59	2.64	10.46	2.66
	10	9.95	2.49	9.83	2.51	9.70	2.53	9.64	2.54	9.58	2.54	9.46	2.56
	6	9.15	2.41	9.02	2.43	8.90	2.45	8.84	2.46	8.78	2.46	8.65	2.47
	0	7.94	2.29	7.82	2.31	7.70	2.33	7.64	2.34	7.57	2.34	7.45	2.35
	-5	6.94	2.19	6.82	2.21	6.69	2.23	6.63	2.24	6.57	2.24	6.45	2.25
	-10	5.93	2.09	5.81	2.11	5.69	2.13	5.62	2.13	5.56	2.13	5.44	2.15
	-15	4.93	1.99	4.80	2.01	4.68	2.03	4.62	2.03	4.56	2.03	4.44	2.05
22 + 16 + 13	15	10.95	2.59	10.83	2.61	10.71	2.63	10.65	2.64	10.59	2.64	10.46	2.66
	10	9.95	2.49	9.83	2.51	9.70	2.53	9.64	2.54	9.58	2.54	9.46	2.56
	6	9.15	2.41	9.02	2.43	8.90	2.45	8.84	2.46	8.78	2.46	8.65	2.47
	0	7.94	2.29	7.82	2.31	7.70	2.33	7.64	2.34	7.57	2.34	7.45	2.35
	-5	6.94	2.19	6.82	2.21	6.69	2.23	6.63	2.24	6.57	2.24	6.45	2.25
	-10	5.93	2.09	5.81	2.11	5.69	2.13	5.62	2.13	5.56	2.13	5.44	2.15
	-15	4.93	1.99	4.80	2.01	4.68	2.03	4.62	2.03	4.56	2.03	4.44	2.05
24 + 16 + 13	15	10.95	2.59	10.83	2.61	10.71	2.63	10.65	2.64	10.59	2.64	10.46	2.66
	10	9.95	2.49	9.83	2.51	9.70	2.53	9.64	2.54	9.58	2.54	9.46	2.56
	6	9.15	2.41	9.02	2.43	8.90	2.45	8.84	2.46	8.78	2.46	8.65	2.47
	0	7.94	2.29	7.82	2.31	7.70	2.33	7.64	2.34	7.57	2.34	7.45	2.35
	-5	6.94	2.19	6.82	2.21	6.69	2.23	6.63	2.24	6.57	2.24	6.45	2.25
	-10	5.93	2.09	5.81	2.11	5.69	2.13	5.62	2.13	5.56	2.13	5.44	2.15
	-15	4.93	1.99	4.80	2.01	4.68	2.03	4.62	2.03	4.56	2.03	4.44	2.05
18 + 18 + 13	15	10.95	2.59	10.83	2.61	10.71	2.63	10.65	2.64	10.59	2.64	10.46	2.66
	10	9.95	2.49	9.83	2.51	9.70	2.53	9.64	2.54	9.58	2.54	9.46	2.56
	6	9.15	2.41	9.02	2.43	8.90	2.45	8.84	2.46	8.78	2.46	8.65	2.47
	0	7.94	2.29	7.82	2.31	7.70	2.33	7.64	2.34	7.57	2.34	7.45	2.35
	-5	6.94	2.19	6.82	2.21	6.69	2.23	6.63	2.24	6.57	2.24	6.45	2.25
	-10	5.93	2.09	5.81	2.11	5.69	2.13	5.62	2.13	5.56	2.13	5.44	2.15
	-15	4.93	1.99	4.80	2.01	4.68	2.03	4.62	2.03	4.56	2.03	4.44	2.05
22 + 18 + 13	15	11.45	2.40	11.32	2.42	11.19	2.44	11.13	2.45	11.06	2.45	10.93	2.46
	10	10.40	2.31	10.27	2.32	10.14	2.35	10.07	2.35	10.01	2.35	9.88	2.37
	6	9.56	2.23	9.43	2.25	9.30	2.27	9.23	2.28	9.17	2.28	9.04	2.29
	0	8.30	2.12	8.17	2.14	8.04	2.16	7.98	2.17	7.91	2.17	7.79	2.18
	-5	7.25	2.03	7.12	2.04	6.99	2.07	6.93	2.07	6.87	2.07	6.74	2.08
	-10	6.20	1.94	6.07	1.95	5.94	1.97	5.88	1.98	5.81	1.98	5.68	1.99
	-15	5.15	1.85	5.02	1.86	4.89	1.88	4.83	1.88	4.76	1.88	4.63	1.89

Heating

5 - rooms multisplit : 3 - units operation
 Indoor units : 24 type + 18 type + 13 type
 16 type + 16 type + 16 type

TC : Total capacity [kW]

PI : Power input [kW]

Outdoor unit : RAS-5M34U2AVG-E

Combination (Capacity)	Outdoor air temp. [°C WB]	Indoor air temp. [°C DB]											
		16		18		20		21		22		24	
		TC [kW]	PI [kW]	TC [kW]	PI [kW]	TC [kW]	PI [kW]	TC [kW]	PI [kW]	TC [kW]	PI [kW]	TC [kW]	PI [kW]
24 + 18 + 13	15	11.45	2.40	11.32	2.42	11.19	2.44	11.13	2.45	11.06	2.45	10.93	2.46
	10	10.40	2.31	10.27	2.32	10.14	2.35	10.07	2.35	10.01	2.35	9.88	2.37
	6	9.56	2.23	9.43	2.25	9.30	2.27	9.23	2.28	9.17	2.28	9.04	2.29
	0	8.30	2.12	8.17	2.14	8.04	2.16	7.98	2.17	7.91	2.17	7.79	2.18
	-5	7.25	2.03	7.12	2.04	6.99	2.07	6.93	2.07	6.87	2.07	6.74	2.08
	-10	6.20	1.94	6.07	1.95	5.94	1.97	5.88	1.98	5.81	1.98	5.68	1.99
	-15	5.15	1.85	5.02	1.86	4.89	1.88	4.83	1.88	4.76	1.88	4.63	1.89
16 + 16 + 16	15	10.95	2.59	10.83	2.61	10.71	2.63	10.65	2.64	10.59	2.64	10.46	2.66
	10	9.95	2.49	9.83	2.51	9.70	2.53	9.64	2.54	9.58	2.54	9.46	2.56
	6	9.15	2.41	9.02	2.43	8.90	2.45	8.84	2.46	8.78	2.46	8.65	2.47
	0	7.94	2.29	7.82	2.31	7.70	2.33	7.64	2.34	7.57	2.34	7.45	2.35
	-5	6.94	2.19	6.82	2.21	6.69	2.23	6.63	2.24	6.57	2.24	6.45	2.25
	-10	5.93	2.09	5.81	2.11	5.69	2.13	5.62	2.13	5.56	2.13	5.44	2.15
	-15	4.93	1.99	4.80	2.01	4.68	2.03	4.62	2.03	4.56	2.03	4.44	2.05

Heating

5 - rooms multisplit : 4 - units operation

Indoor units : 05 type + 05 type + 05 type + 05 type
 07 type + 05 type + 05 type + 05 type
 10 type + 05 type + 05 type + 05 type
 13 type + 05 type + 05 type + 05 type

16 type + 05 type + 05 type + 05 type
 18 type + 05 type + 05 type + 05 type
 22 type + 05 type + 05 type + 05 type
 24 type + 05 type + 05 type + 05 type

TC : Total capacity [kW]
 PI : Power input [kW]

Outdoor unit : RAS-5M34U2AVG-E

Combination (Capacity)	Outdoor air temp. [°C WB]	Indoor air temp. [°C DB]											
		16		18		20		21		22		24	
		TC [kW]	PI [kW]	TC [kW]	PI [kW]	TC [kW]	PI [kW]	TC [kW]	PI [kW]	TC [kW]	PI [kW]	TC [kW]	PI [kW]
05 + 05 + 05 + 05	15	9.85	1.99	9.74	2.00	9.62	2.02	9.57	2.03	9.52	2.03	9.41	2.04
	10	8.94	1.91	8.83	1.92	8.72	1.94	8.67	1.95	8.61	1.95	8.50	1.96
	6	8.22	1.85	8.11	1.86	8.00	1.88	7.94	1.89	7.89	1.89	7.78	1.90
	0	7.14	1.76	7.03	1.77	6.92	1.79	6.86	1.79	6.81	1.79	6.70	1.80
	-5	6.24	1.68	6.13	1.69	6.01	1.71	5.96	1.72	5.91	1.72	5.80	1.73
	-10	5.33	1.61	5.22	1.62	5.11	1.63	5.06	1.64	5.00	1.64	4.89	1.65
	-15	4.43	1.53	4.32	1.54	4.21	1.55	4.15	1.56	4.10	1.56	3.99	1.57
07 + 05 + 05 + 05	15	10.71	2.18	10.59	2.19	10.47	2.22	10.41	2.22	10.35	2.22	10.23	2.24
	10	9.72	2.10	9.60	2.11	9.49	2.13	9.42	2.14	9.36	2.14	9.24	2.15
	6	8.94	2.03	8.82	2.04	8.70	2.06	8.64	2.07	8.58	2.07	8.46	2.08
	0	7.76	1.93	7.64	1.94	7.52	1.96	7.46	1.96	7.40	1.96	7.28	1.98
	-5	6.78	1.84	6.66	1.86	6.54	1.87	6.48	1.88	6.42	1.88	6.30	1.89
	-10	5.80	1.76	5.68	1.77	5.56	1.79	5.50	1.79	5.44	1.79	5.32	1.81
	-15	4.82	1.68	4.70	1.69	4.58	1.70	4.52	1.71	4.46	1.71	4.34	1.72
10 + 05 + 05 + 05	15	11.57	2.35	11.44	2.36	11.31	2.39	11.25	2.39	11.18	2.39	11.05	2.41
	10	10.51	2.26	10.38	2.27	10.25	2.30	10.18	2.30	10.12	2.30	9.99	2.32
	6	9.66	2.18	9.53	2.20	9.40	2.22	9.33	2.23	9.27	2.23	9.14	2.24
	0	8.39	2.08	8.26	2.09	8.13	2.11	8.06	2.12	8.00	2.12	7.87	2.13
	-5	7.33	1.99	7.20	2.00	7.07	2.02	7.00	2.03	6.94	2.03	6.81	2.04
	-10	6.27	1.90	6.14	1.91	6.01	1.93	5.94	1.93	5.87	1.93	5.74	1.95
	-15	5.20	1.81	5.07	1.82	4.95	1.84	4.88	1.84	4.81	1.84	4.68	1.85
13 + 05 + 05 + 05	15	11.82	2.44	11.68	2.46	11.55	2.48	11.49	2.49	11.42	2.49	11.29	2.51
	10	10.73	2.35	10.60	2.36	10.47	2.39	10.40	2.40	10.33	2.40	10.20	2.41
	6	9.86	2.27	9.73	2.29	9.60	2.31	9.53	2.32	9.47	2.32	9.33	2.33
	0	8.57	2.16	8.43	2.18	8.30	2.20	8.24	2.20	8.17	2.20	8.04	2.22
	-5	7.48	2.07	7.35	2.08	7.22	2.10	7.15	2.11	7.09	2.11	6.95	2.12
	-10	6.40	1.97	6.27	1.99	6.13	2.01	6.07	2.01	6.00	2.01	5.87	2.02
	-15	5.32	1.88	5.18	1.89	5.05	1.91	4.98	1.92	4.92	1.92	4.78	1.93
16 + 05 + 05 + 05	15	12.06	2.52	11.93	2.53	11.79	2.56	11.72	2.57	11.66	2.57	11.52	2.58
	10	10.95	2.42	10.82	2.44	10.68	2.46	10.62	2.47	10.55	2.47	10.41	2.48
	6	10.07	2.34	9.93	2.36	9.80	2.38	9.73	2.39	9.66	2.39	9.53	2.40
	0	8.74	2.23	8.61	2.24	8.47	2.26	8.41	2.27	8.34	2.27	8.20	2.28
	-5	7.64	2.13	7.50	2.14	7.37	2.17	7.30	2.17	7.23	2.17	7.10	2.19
	-10	6.53	2.03	6.40	2.05	6.26	2.07	6.19	2.07	6.12	2.07	5.99	2.09
	-15	5.43	1.94	5.29	1.95	5.16	1.97	5.09	1.97	5.02	1.97	4.88	1.99
18 + 05 + 05 + 05	15	12.06	2.52	11.93	2.53	11.79	2.56	11.72	2.57	11.66	2.57	11.52	2.58
	10	10.95	2.42	10.82	2.44	10.68	2.46	10.62	2.47	10.55	2.47	10.41	2.48
	6	10.07	2.34	9.93	2.36	9.80	2.38	9.73	2.39	9.66	2.39	9.53	2.40
	0	8.74	2.23	8.61	2.24	8.47	2.26	8.41	2.27	8.34	2.27	8.20	2.28
	-5	7.64	2.13	7.50	2.14	7.37	2.17	7.30	2.17	7.23	2.17	7.10	2.19
	-10	6.53	2.03	6.40	2.05	6.26	2.07	6.19	2.07	6.12	2.07	5.99	2.09
	-15	5.43	1.94	5.29	1.95	5.16	1.97	5.09	1.97	5.02	1.97	4.88	1.99
22 + 05 + 05 + 05	15	12.06	2.52	11.93	2.53	11.79	2.56	11.72	2.57	11.66	2.57	11.52	2.58
	10	10.95	2.42	10.82	2.44	10.68	2.46	10.62	2.47	10.55	2.47	10.41	2.48
	6	10.07	2.34	9.93	2.36	9.80	2.38	9.73	2.39	9.66	2.39	9.53	2.40
	0	8.74	2.23	8.61	2.24	8.47	2.26	8.41	2.27	8.34	2.27	8.20	2.28
	-5	7.64	2.13	7.50	2.14	7.37	2.17	7.30	2.17	7.23	2.17	7.10	2.19
	-10	6.53	2.03	6.40	2.05	6.26	2.07	6.19	2.07	6.12	2.07	5.99	2.09
	-15	5.43	1.94	5.29	1.95	5.16	1.97	5.09	1.97	5.02	1.97	4.88	1.99
24 + 05 + 05 + 05	15	12.06	2.52	11.93	2.53	11.79	2.56	11.72	2.57	11.66	2.57	11.52	2.58
	10	10.95	2.42	10.82	2.44	10.68	2.46	10.62	2.47	10.55	2.47	10.41	2.48
	6	10.07	2.34	9.93	2.36	9.80	2.38	9.73	2.39	9.66	2.39	9.53	2.40
	0	8.74	2.23	8.61	2.24	8.47	2.26	8.41	2.27	8.34	2.27	8.20	2.28
	-5	7.64	2.13	7.50	2.14	7.37	2.17	7.30	2.17	7.23	2.17	7.10	2.19
	-10	6.53	2.03	6.40	2.05	6.26	2.07	6.19	2.07	6.12	2.07	5.99	2.09
	-15	5.43	1.94	5.29	1.95	5.16	1.97	5.09	1.97	5.02	1.97	4.88	1.99

Heating

5 - rooms multisplit : 4 - units operation

Indoor units : 07 type + 07 type + 05 type + 05 type
 10 type + 07 type + 05 type + 05 type
 13 type + 07 type + 05 type + 05 type
 16 type + 07 type + 05 type + 05 type

18 type + 07 type + 05 type + 05 type
 22 type + 07 type + 05 type + 05 type
 24 type + 07 type + 05 type + 05 type
 10 type + 10 type + 05 type + 05 type

TC : Total capacity [kW]
 PI : Power input [kW]

Outdoor unit : RAS-5M34U2AVG-E

Combination (Capacity)	Outdoor air temp. [°C WB]	Indoor air temp. [°C DB]											
		16		18		20		21		22		24	
		TC [kW]	PI [kW]	TC [kW]	PI [kW]	TC [kW]	PI [kW]	TC [kW]	PI [kW]	TC [kW]	PI [kW]	TC [kW]	PI [kW]
07 + 07 + 05 + 05	15	11.57	2.43	11.44	2.45	11.31	2.47	11.25	2.48	11.18	2.48	11.05	2.50
	10	10.51	2.34	10.38	2.35	10.25	2.38	10.18	2.38	10.12	2.38	9.99	2.40
	6	9.66	2.26	9.53	2.28	9.40	2.30	9.33	2.31	9.27	2.31	9.14	2.32
	0	8.39	2.15	8.26	2.17	8.13	2.19	8.06	2.19	8.00	2.19	7.87	2.21
	-5	7.33	2.06	7.20	2.07	7.07	2.09	7.00	2.10	6.94	2.10	6.81	2.11
	-10	6.27	1.96	6.14	1.98	6.01	2.00	5.94	2.00	5.87	2.00	5.74	2.02
	-15	5.20	1.87	5.07	1.88	4.95	1.90	4.88	1.91	4.81	1.91	4.68	1.92
10 + 07 + 05 + 05	15	11.82	2.50	11.68	2.51	11.55	2.54	11.49	2.54	11.42	2.54	11.29	2.56
	10	10.73	2.40	10.60	2.42	10.47	2.44	10.40	2.45	10.33	2.45	10.20	2.46
	6	9.86	2.32	9.73	2.34	9.60	2.36	9.53	2.37	9.47	2.37	9.33	2.38
	0	8.57	2.21	8.43	2.22	8.30	2.24	8.24	2.25	8.17	2.25	8.04	2.27
	-5	7.48	2.11	7.35	2.13	7.22	2.15	7.15	2.15	7.09	2.15	6.95	2.17
	-10	6.40	2.02	6.27	2.03	6.13	2.05	6.07	2.06	6.00	2.06	5.87	2.07
	-15	5.32	1.92	5.18	1.93	5.05	1.95	4.98	1.96	4.92	1.96	4.78	1.97
13 + 07 + 05 + 05	15	12.06	2.52	11.93	2.53	11.79	2.56	11.72	2.57	11.66	2.57	11.52	2.58
	10	10.95	2.42	10.82	2.44	10.68	2.46	10.62	2.47	10.55	2.47	10.41	2.48
	6	10.07	2.34	9.93	2.36	9.80	2.38	9.73	2.39	9.66	2.39	9.53	2.40
	0	8.74	2.23	8.61	2.24	8.47	2.26	8.41	2.27	8.34	2.27	8.20	2.28
	-5	7.64	2.13	7.50	2.14	7.37	2.17	7.30	2.17	7.23	2.17	7.10	2.19
	-10	6.53	2.03	6.40	2.05	6.26	2.07	6.19	2.07	6.12	2.07	5.99	2.09
	-15	5.43	1.94	5.29	1.95	5.16	1.97	5.09	1.97	5.02	1.97	4.88	1.99
16 + 07 + 05 + 05	15	12.06	2.52	11.93	2.53	11.79	2.56	11.72	2.57	11.66	2.57	11.52	2.58
	10	10.95	2.42	10.82	2.44	10.68	2.46	10.62	2.47	10.55	2.47	10.41	2.48
	6	10.07	2.34	9.93	2.36	9.80	2.38	9.73	2.39	9.66	2.39	9.53	2.40
	0	8.74	2.23	8.61	2.24	8.47	2.26	8.41	2.27	8.34	2.27	8.20	2.28
	-5	7.64	2.13	7.50	2.14	7.37	2.17	7.30	2.17	7.23	2.17	7.10	2.19
	-10	6.53	2.03	6.40	2.05	6.26	2.07	6.19	2.07	6.12	2.07	5.99	2.09
	-15	5.43	1.94	5.29	1.95	5.16	1.97	5.09	1.97	5.02	1.97	4.88	1.99
18 + 07 + 05 + 05	15	12.06	2.52	11.93	2.53	11.79	2.56	11.72	2.57	11.66	2.57	11.52	2.58
	10	10.95	2.42	10.82	2.44	10.68	2.46	10.62	2.47	10.55	2.47	10.41	2.48
	6	10.07	2.34	9.93	2.36	9.80	2.38	9.73	2.39	9.66	2.39	9.53	2.40
	0	8.74	2.23	8.61	2.24	8.47	2.26	8.41	2.27	8.34	2.27	8.20	2.28
	-5	7.64	2.13	7.50	2.14	7.37	2.17	7.30	2.17	7.23	2.17	7.10	2.19
	-10	6.53	2.03	6.40	2.05	6.26	2.07	6.19	2.07	6.12	2.07	5.99	2.09
	-15	5.43	1.94	5.29	1.95	5.16	1.97	5.09	1.97	5.02	1.97	4.88	1.99
22 + 07 + 05 + 05	15	12.06	2.52	11.93	2.53	11.79	2.56	11.72	2.57	11.66	2.57	11.52	2.58
	10	10.95	2.42	10.82	2.44	10.68	2.46	10.62	2.47	10.55	2.47	10.41	2.48
	6	10.07	2.34	9.93	2.36	9.80	2.38	9.73	2.39	9.66	2.39	9.53	2.40
	0	8.74	2.23	8.61	2.24	8.47	2.26	8.41	2.27	8.34	2.27	8.20	2.28
	-5	7.64	2.13	7.50	2.14	7.37	2.17	7.30	2.17	7.23	2.17	7.10	2.19
	-10	6.53	2.03	6.40	2.05	6.26	2.07	6.19	2.07	6.12	2.07	5.99	2.09
	-15	5.43	1.94	5.29	1.95	5.16	1.97	5.09	1.97	5.02	1.97	4.88	1.99
24 + 07 + 05 + 05	15	12.31	2.54	12.17	2.56	12.03	2.58	11.96	2.59	11.89	2.59	11.76	2.60
	10	11.18	2.44	11.04	2.46	10.90	2.48	10.83	2.49	10.76	2.49	10.62	2.50
	6	10.28	2.36	10.14	2.38	10.00	2.40	9.93	2.41	9.86	2.41	9.72	2.42
	0	8.92	2.25	8.79	2.26	8.65	2.28	8.58	2.29	8.51	2.29	8.37	2.30
	-5	7.80	2.15	7.66	2.16	7.52	2.18	7.45	2.19	7.38	2.19	7.24	2.20
	-10	6.67	2.05	6.53	2.06	6.39	2.08	6.32	2.09	6.25	2.09	6.11	2.10
	-15	5.54	1.95	5.40	1.97	5.26	1.99	5.19	1.99	5.12	1.99	4.98	2.00
10 + 10 + 05 + 05	15	12.06	2.52	11.93	2.53	11.79	2.56	11.72	2.57	11.66	2.57	11.52	2.58
	10	10.95	2.42	10.82	2.44	10.68	2.46	10.62	2.47	10.55	2.47	10.41	2.48
	6	10.07	2.34	9.93	2.36	9.80	2.38	9.73	2.39	9.66	2.39	9.53	2.40
	0	8.74	2.23	8.61	2.24	8.47	2.26	8.41	2.27	8.34	2.27	8.20	2.28
	-5	7.64	2.13	7.50	2.14	7.37	2.17	7.30	2.17	7.23	2.17	7.10	2.19
	-10	6.53	2.03	6.40	2.05	6.26	2.07	6.19	2.07	6.12	2.07	5.99	2.09
	-15	5.43	1.94	5.29	1.95	5.16	1.97	5.09	1.97	5.02	1.97	4.88	1.99

Heating

5 - rooms multisplit : 4 - units operation

Indoor units : 13 type + 10 type + 05 type + 05 type
 16 type + 10 type + 05 type + 05 type
 18 type + 10 type + 05 type + 05 type
 22 type + 10 type + 05 type + 05 type

24 type + 10 type + 05 type + 05 type
 13 type + 13 type + 05 type + 05 type
 16 type + 13 type + 05 type + 05 type
 18 type + 13 type + 05 type + 05 type

TC : Total capacity [kW]
 PI : Power input [kW]

Outdoor unit : RAS-5M34U2AVG-E

Combination (Capacity)	Outdoor air temp. [°C WB]	Indoor air temp. [°C DB]											
		16		18		20		21		22		24	
		TC [kW]	PI [kW]	TC [kW]	PI [kW]	TC [kW]	PI [kW]	TC [kW]	PI [kW]	TC [kW]	PI [kW]	TC [kW]	PI [kW]
13 + 10 + 05 + 05	15	12.06	2.52	11.93	2.53	11.79	2.56	11.72	2.57	11.66	2.57	11.52	2.58
	10	10.95	2.42	10.82	2.44	10.68	2.46	10.62	2.47	10.55	2.47	10.41	2.48
	6	10.07	2.34	9.93	2.36	9.80	2.38	9.73	2.39	9.66	2.39	9.53	2.40
	0	8.74	2.23	8.61	2.24	8.47	2.26	8.41	2.27	8.34	2.27	8.20	2.28
	-5	7.64	2.13	7.50	2.14	7.37	2.17	7.30	2.17	7.23	2.17	7.10	2.19
	-10	6.53	2.03	6.40	2.05	6.26	2.07	6.19	2.07	6.12	2.07	5.99	2.09
	-15	5.43	1.94	5.29	1.95	5.16	1.97	5.09	1.97	5.02	1.97	4.88	1.99
16 + 10 + 05 + 05	15	12.06	2.52	11.93	2.53	11.79	2.56	11.72	2.57	11.66	2.57	11.52	2.58
	10	10.95	2.42	10.82	2.44	10.68	2.46	10.62	2.47	10.55	2.47	10.41	2.48
	6	10.07	2.34	9.93	2.36	9.80	2.38	9.73	2.39	9.66	2.39	9.53	2.40
	0	8.74	2.23	8.61	2.24	8.47	2.26	8.41	2.27	8.34	2.27	8.20	2.28
	-5	7.64	2.13	7.50	2.14	7.37	2.17	7.30	2.17	7.23	2.17	7.10	2.19
	-10	6.53	2.03	6.40	2.05	6.26	2.07	6.19	2.07	6.12	2.07	5.99	2.09
	-15	5.43	1.94	5.29	1.95	5.16	1.97	5.09	1.97	5.02	1.97	4.88	1.99
18 + 10 + 05 + 05	15	12.06	2.52	11.93	2.53	11.79	2.56	11.72	2.57	11.66	2.57	11.52	2.58
	10	10.95	2.42	10.82	2.44	10.68	2.46	10.62	2.47	10.55	2.47	10.41	2.48
	6	10.07	2.34	9.93	2.36	9.80	2.38	9.73	2.39	9.66	2.39	9.53	2.40
	0	8.74	2.23	8.61	2.24	8.47	2.26	8.41	2.27	8.34	2.27	8.20	2.28
	-5	7.64	2.13	7.50	2.14	7.37	2.17	7.30	2.17	7.23	2.17	7.10	2.19
	-10	6.53	2.03	6.40	2.05	6.26	2.07	6.19	2.07	6.12	2.07	5.99	2.09
	-15	5.43	1.94	5.29	1.95	5.16	1.97	5.09	1.97	5.02	1.97	4.88	1.99
22 + 10 + 05 + 05	15	12.31	2.54	12.17	2.56	12.03	2.58	11.96	2.59	11.89	2.59	11.76	2.60
	10	11.18	2.44	11.04	2.46	10.90	2.48	10.83	2.49	10.76	2.49	10.62	2.50
	6	10.28	2.36	10.14	2.38	10.00	2.40	9.93	2.41	9.86	2.41	9.72	2.42
	0	8.92	2.25	8.79	2.26	8.65	2.28	8.58	2.29	8.51	2.29	8.37	2.30
	-5	7.80	2.15	7.66	2.16	7.52	2.18	7.45	2.19	7.38	2.19	7.24	2.20
	-10	6.67	2.05	6.53	2.06	6.39	2.08	6.32	2.09	6.25	2.09	6.11	2.10
	-15	5.54	1.95	5.40	1.97	5.26	1.99	5.19	1.99	5.12	1.99	4.98	2.00
24 + 10 + 05 + 05	15	12.31	2.54	12.17	2.56	12.03	2.58	11.96	2.59	11.89	2.59	11.76	2.60
	10	11.18	2.44	11.04	2.46	10.90	2.48	10.83	2.49	10.76	2.49	10.62	2.50
	6	10.28	2.36	10.14	2.38	10.00	2.40	9.93	2.41	9.86	2.41	9.72	2.42
	0	8.92	2.25	8.79	2.26	8.65	2.28	8.58	2.29	8.51	2.29	8.37	2.30
	-5	7.80	2.15	7.66	2.16	7.52	2.18	7.45	2.19	7.38	2.19	7.24	2.20
	-10	6.67	2.05	6.53	2.06	6.39	2.08	6.32	2.09	6.25	2.09	6.11	2.10
	-15	5.54	1.95	5.40	1.97	5.26	1.99	5.19	1.99	5.12	1.99	4.98	2.00
13 + 13 + 05 + 05	15	12.06	2.52	11.93	2.53	11.79	2.56	11.72	2.57	11.66	2.57	11.52	2.58
	10	10.95	2.42	10.82	2.44	10.68	2.46	10.62	2.47	10.55	2.47	10.41	2.48
	6	10.07	2.34	9.93	2.36	9.80	2.38	9.73	2.39	9.66	2.39	9.53	2.40
	0	8.74	2.23	8.61	2.24	8.47	2.26	8.41	2.27	8.34	2.27	8.20	2.28
	-5	7.64	2.13	7.50	2.14	7.37	2.17	7.30	2.17	7.23	2.17	7.10	2.19
	-10	6.53	2.03	6.40	2.05	6.26	2.07	6.19	2.07	6.12	2.07	5.99	2.09
	-15	5.43	1.94	5.29	1.95	5.16	1.97	5.09	1.97	5.02	1.97	4.88	1.99
16 + 13 + 05 + 05	15	12.06	2.52	11.93	2.53	11.79	2.56	11.72	2.57	11.66	2.57	11.52	2.58
	10	10.95	2.42	10.82	2.44	10.68	2.46	10.62	2.47	10.55	2.47	10.41	2.48
	6	10.07	2.34	9.93	2.36	9.80	2.38	9.73	2.39	9.66	2.39	9.53	2.40
	0	8.74	2.23	8.61	2.24	8.47	2.26	8.41	2.27	8.34	2.27	8.20	2.28
	-5	7.64	2.13	7.50	2.14	7.37	2.17	7.30	2.17	7.23	2.17	7.10	2.19
	-10	6.53	2.03	6.40	2.05	6.26	2.07	6.19	2.07	6.12	2.07	5.99	2.09
	-15	5.43	1.94	5.29	1.95	5.16	1.97	5.09	1.97	5.02	1.97	4.88	1.99
18 + 13 + 05 + 05	15	12.31	2.54	12.17	2.56	12.03	2.58	11.96	2.59	11.89	2.59	11.76	2.60
	10	11.18	2.44	11.04	2.46	10.90	2.48	10.83	2.49	10.76	2.49	10.62	2.50
	6	10.28	2.36	10.14	2.38	10.00	2.40	9.93	2.41	9.86	2.41	9.72	2.42
	0	8.92	2.25	8.79	2.26	8.65	2.28	8.58	2.29	8.51	2.29	8.37	2.30
	-5	7.80	2.15	7.66	2.16	7.52	2.18	7.45	2.19	7.38	2.19	7.24	2.20
	-10	6.67	2.05	6.53	2.06	6.39	2.08	6.32	2.09	6.25	2.09	6.11	2.10
	-15	5.54	1.95	5.40	1.97	5.26	1.99	5.19	1.99	5.12	1.99	4.98	2.00

Heating

5 - rooms multisplit : 4 - units operation

Indoor units : 22 type + 13 type + 05 type + 05 type
 24 type + 13 type + 05 type + 05 type
 16 type + 16 type + 05 type + 05 type
 18 type + 16 type + 05 type + 05 type

22 type + 16 type + 05 type + 05 type
 24 type + 16 type + 05 type + 05 type
 18 type + 18 type + 05 type + 05 type
 22 type + 18 type + 05 type + 05 type

TC : Total capacity [kW]
 PI : Power input [kW]

Outdoor unit : RAS-5M34U2AVG-E

Combination (Capacity)	Outdoor air temp. [°C WB]	Indoor air temp. [°C DB]											
		16		18		20		21		22		24	
		TC [kW]	PI [kW]	TC [kW]	PI [kW]	TC [kW]	PI [kW]	TC [kW]	PI [kW]	TC [kW]	PI [kW]	TC [kW]	PI [kW]
22 + 13 + 05 + 05	15	12.31	2.54	12.17	2.56	12.03	2.58	11.96	2.59	11.89	2.59	11.76	2.60
	10	11.18	2.44	11.04	2.46	10.90	2.48	10.83	2.49	10.76	2.49	10.62	2.50
	6	10.28	2.36	10.14	2.38	10.00	2.40	9.93	2.41	9.86	2.41	9.72	2.42
	0	8.92	2.25	8.79	2.26	8.65	2.28	8.58	2.29	8.51	2.29	8.37	2.30
	-5	7.80	2.15	7.66	2.16	7.52	2.18	7.45	2.19	7.38	2.19	7.24	2.20
	-10	6.67	2.05	6.53	2.06	6.39	2.08	6.32	2.09	6.25	2.09	6.11	2.10
	-15	5.54	1.95	5.40	1.97	5.26	1.99	5.19	1.99	5.12	1.99	4.98	2.00
24 + 13 + 05 + 05	15	12.31	2.54	12.17	2.56	12.03	2.58	11.96	2.59	11.89	2.59	11.76	2.60
	10	11.18	2.44	11.04	2.46	10.90	2.48	10.83	2.49	10.76	2.49	10.62	2.50
	6	10.28	2.36	10.14	2.38	10.00	2.40	9.93	2.41	9.86	2.41	9.72	2.42
	0	8.92	2.25	8.79	2.26	8.65	2.28	8.58	2.29	8.51	2.29	8.37	2.30
	-5	7.80	2.15	7.66	2.16	7.52	2.18	7.45	2.19	7.38	2.19	7.24	2.20
	-10	6.67	2.05	6.53	2.06	6.39	2.08	6.32	2.09	6.25	2.09	6.11	2.10
	-15	5.54	1.95	5.40	1.97	5.26	1.99	5.19	1.99	5.12	1.99	4.98	2.00
16 + 16 + 05 + 05	15	12.31	2.54	12.17	2.56	12.03	2.58	11.96	2.59	11.89	2.59	11.76	2.60
	10	11.18	2.44	11.04	2.46	10.90	2.48	10.83	2.49	10.76	2.49	10.62	2.50
	6	10.28	2.36	10.14	2.38	10.00	2.40	9.93	2.41	9.86	2.41	9.72	2.42
	0	8.92	2.25	8.79	2.26	8.65	2.28	8.58	2.29	8.51	2.29	8.37	2.30
	-5	7.80	2.15	7.66	2.16	7.52	2.18	7.45	2.19	7.38	2.19	7.24	2.20
	-10	6.67	2.05	6.53	2.06	6.39	2.08	6.32	2.09	6.25	2.09	6.11	2.10
	-15	5.54	1.95	5.40	1.97	5.26	1.99	5.19	1.99	5.12	1.99	4.98	2.00
18 + 16 + 05 + 05	15	12.31	2.54	12.17	2.56	12.03	2.58	11.96	2.59	11.89	2.59	11.76	2.60
	10	11.18	2.44	11.04	2.46	10.90	2.48	10.83	2.49	10.76	2.49	10.62	2.50
	6	10.28	2.36	10.14	2.38	10.00	2.40	9.93	2.41	9.86	2.41	9.72	2.42
	0	8.92	2.25	8.79	2.26	8.65	2.28	8.58	2.29	8.51	2.29	8.37	2.30
	-5	7.80	2.15	7.66	2.16	7.52	2.18	7.45	2.19	7.38	2.19	7.24	2.20
	-10	6.67	2.05	6.53	2.06	6.39	2.08	6.32	2.09	6.25	2.09	6.11	2.10
	-15	5.54	1.95	5.40	1.97	5.26	1.99	5.19	1.99	5.12	1.99	4.98	2.00
22 + 16 + 05 + 05	15	12.31	2.54	12.17	2.56	12.03	2.58	11.96	2.59	11.89	2.59	11.76	2.60
	10	11.18	2.44	11.04	2.46	10.90	2.48	10.83	2.49	10.76	2.49	10.62	2.50
	6	10.28	2.36	10.14	2.38	10.00	2.40	9.93	2.41	9.86	2.41	9.72	2.42
	0	8.92	2.25	8.79	2.26	8.65	2.28	8.58	2.29	8.51	2.29	8.37	2.30
	-5	7.80	2.15	7.66	2.16	7.52	2.18	7.45	2.19	7.38	2.19	7.24	2.20
	-10	6.67	2.05	6.53	2.06	6.39	2.08	6.32	2.09	6.25	2.09	6.11	2.10
	-15	5.54	1.95	5.40	1.97	5.26	1.99	5.19	1.99	5.12	1.99	4.98	2.00
24 + 16 + 05 + 05	15	12.31	2.54	12.17	2.56	12.03	2.58	11.96	2.59	11.89	2.59	11.76	2.60
	10	11.18	2.44	11.04	2.46	10.90	2.48	10.83	2.49	10.76	2.49	10.62	2.50
	6	10.28	2.36	10.14	2.38	10.00	2.40	9.93	2.41	9.86	2.41	9.72	2.42
	0	8.92	2.25	8.79	2.26	8.65	2.28	8.58	2.29	8.51	2.29	8.37	2.30
	-5	7.80	2.15	7.66	2.16	7.52	2.18	7.45	2.19	7.38	2.19	7.24	2.20
	-10	6.67	2.05	6.53	2.06	6.39	2.08	6.32	2.09	6.25	2.09	6.11	2.10
	-15	5.54	1.95	5.40	1.97	5.26	1.99	5.19	1.99	5.12	1.99	4.98	2.00
18 + 18 + 05 + 05	15	12.31	2.54	12.17	2.56	12.03	2.58	11.96	2.59	11.89	2.59	11.76	2.60
	10	11.18	2.44	11.04	2.46	10.90	2.48	10.83	2.49	10.76	2.49	10.62	2.50
	6	10.28	2.36	10.14	2.38	10.00	2.40	9.93	2.41	9.86	2.41	9.72	2.42
	0	8.92	2.25	8.79	2.26	8.65	2.28	8.58	2.29	8.51	2.29	8.37	2.30
	-5	7.80	2.15	7.66	2.16	7.52	2.18	7.45	2.19	7.38	2.19	7.24	2.20
	-10	6.67	2.05	6.53	2.06	6.39	2.08	6.32	2.09	6.25	2.09	6.11	2.10
	-15	5.54	1.95	5.40	1.97	5.26	1.99	5.19	1.99	5.12	1.99	4.98	2.00
22 + 18 + 05 + 05	15	12.31	2.54	12.17	2.56	12.03	2.58	11.96	2.59	11.89	2.59	11.76	2.60
	10	11.18	2.44	11.04	2.46	10.90	2.48	10.83	2.49	10.76	2.49	10.62	2.50
	6	10.28	2.36	10.14	2.38	10.00	2.40	9.93	2.41	9.86	2.41	9.72	2.42
	0	8.92	2.25	8.79	2.26	8.65	2.28	8.58	2.29	8.51	2.29	8.37	2.30
	-5	7.80	2.15	7.66	2.16	7.52	2.18	7.45	2.19	7.38	2.19	7.24	2.20
	-10	6.67	2.05	6.53	2.06	6.39	2.08	6.32	2.09	6.25	2.09	6.11	2.10
	-15	5.54	1.95	5.40	1.97	5.26	1.99	5.19	1.99	5.12	1.99	4.98	2.00

Heating

5 - rooms multisplit : 4 - units operation

Indoor units : 24 type + 18 type + 05 type + 05 type
 22 type + 22 type + 05 type + 05 type
 07 type + 07 type + 07 type + 05 type
 10 type + 07 type + 07 type + 05 type

13 type + 07 type + 07 type + 05 type
 16 type + 07 type + 07 type + 05 type
 18 type + 07 type + 07 type + 05 type
 22 type + 07 type + 07 type + 05 type

TC : Total capacity [kW]
 PI : Power input [kW]

Outdoor unit : RAS-5M34U2AVG-E

Combination (Capacity)	Outdoor air temp. [°C WB]	Indoor air temp. [°C DB]											
		16		18		20		21		22		24	
		TC [kW]	PI [kW]	TC [kW]	PI [kW]	TC [kW]	PI [kW]	TC [kW]	PI [kW]	TC [kW]	PI [kW]	TC [kW]	PI [kW]
24 + 18 + 05 + 05	15	12.31	2.54	12.17	2.56	12.03	2.58	11.96	2.59	11.89	2.59	11.76	2.60
	10	11.18	2.44	11.04	2.46	10.90	2.48	10.83	2.49	10.76	2.49	10.62	2.50
	6	10.28	2.36	10.14	2.38	10.00	2.40	9.93	2.41	9.86	2.41	9.72	2.42
	0	8.92	2.25	8.79	2.26	8.65	2.28	8.58	2.29	8.51	2.29	8.37	2.30
	-5	7.80	2.15	7.66	2.16	7.52	2.18	7.45	2.19	7.38	2.19	7.24	2.20
	-10	6.67	2.05	6.53	2.06	6.39	2.08	6.32	2.09	6.25	2.09	6.11	2.10
	-15	5.54	1.95	5.40	1.97	5.26	1.99	5.19	1.99	5.12	1.99	4.98	2.00
22 + 22 + 05 + 05	15	12.31	2.54	12.17	2.56	12.03	2.58	11.96	2.59	11.89	2.59	11.76	2.60
	10	11.18	2.44	11.04	2.46	10.90	2.48	10.83	2.49	10.76	2.49	10.62	2.50
	6	10.28	2.36	10.14	2.38	10.00	2.40	9.93	2.41	9.86	2.41	9.72	2.42
	0	8.92	2.25	8.79	2.26	8.65	2.28	8.58	2.29	8.51	2.29	8.37	2.30
	-5	7.80	2.15	7.66	2.16	7.52	2.18	7.45	2.19	7.38	2.19	7.24	2.20
	-10	6.67	2.05	6.53	2.06	6.39	2.08	6.32	2.09	6.25	2.09	6.11	2.10
	-15	5.54	1.95	5.40	1.97	5.26	1.99	5.19	1.99	5.12	1.99	4.98	2.00
07 + 07 + 07 + 05	15	11.82	2.50	11.68	2.51	11.55	2.54	11.49	2.54	11.42	2.54	11.29	2.56
	10	10.73	2.40	10.60	2.42	10.47	2.44	10.40	2.45	10.33	2.45	10.20	2.46
	6	9.86	2.32	9.73	2.34	9.60	2.36	9.53	2.37	9.47	2.37	9.33	2.38
	0	8.57	2.21	8.43	2.22	8.30	2.24	8.24	2.25	8.17	2.25	8.04	2.27
	-5	7.48	2.11	7.35	2.13	7.22	2.15	7.15	2.15	7.09	2.15	6.95	2.17
	-10	6.40	2.02	6.27	2.03	6.13	2.05	6.07	2.06	6.00	2.06	5.87	2.07
	-15	5.32	1.92	5.18	1.93	5.05	1.95	4.98	1.96	4.92	1.96	4.78	1.97
10 + 07 + 07 + 05	15	11.82	2.50	11.68	2.51	11.55	2.54	11.49	2.54	11.42	2.54	11.29	2.56
	10	10.73	2.40	10.60	2.42	10.47	2.44	10.40	2.45	10.33	2.45	10.20	2.46
	6	9.86	2.32	9.73	2.34	9.60	2.36	9.53	2.37	9.47	2.37	9.33	2.38
	0	8.57	2.21	8.43	2.22	8.30	2.24	8.24	2.25	8.17	2.25	8.04	2.27
	-5	7.48	2.11	7.35	2.13	7.22	2.15	7.15	2.15	7.09	2.15	6.95	2.17
	-10	6.40	2.02	6.27	2.03	6.13	2.05	6.07	2.06	6.00	2.06	5.87	2.07
	-15	5.32	1.92	5.18	1.93	5.05	1.95	4.98	1.96	4.92	1.96	4.78	1.97
13 + 07 + 07 + 05	15	12.06	2.52	11.93	2.53	11.79	2.56	11.72	2.57	11.66	2.57	11.52	2.58
	10	10.95	2.42	10.82	2.44	10.68	2.46	10.62	2.47	10.55	2.47	10.41	2.48
	6	10.07	2.34	9.93	2.36	9.80	2.38	9.73	2.39	9.66	2.39	9.53	2.40
	0	8.74	2.23	8.61	2.24	8.47	2.26	8.41	2.27	8.34	2.27	8.20	2.28
	-5	7.64	2.13	7.50	2.14	7.37	2.17	7.30	2.17	7.23	2.17	7.10	2.19
	-10	6.53	2.03	6.40	2.05	6.26	2.07	6.19	2.07	6.12	2.07	5.99	2.09
	-15	5.43	1.94	5.29	1.95	5.16	1.97	5.09	1.97	5.02	1.97	4.88	1.99
16 + 07 + 07 + 05	15	12.06	2.52	11.93	2.53	11.79	2.56	11.72	2.57	11.66	2.57	11.52	2.58
	10	10.95	2.42	10.82	2.44	10.68	2.46	10.62	2.47	10.55	2.47	10.41	2.48
	6	10.07	2.34	9.93	2.36	9.80	2.38	9.73	2.39	9.66	2.39	9.53	2.40
	0	8.74	2.23	8.61	2.24	8.47	2.26	8.41	2.27	8.34	2.27	8.20	2.28
	-5	7.64	2.13	7.50	2.14	7.37	2.17	7.30	2.17	7.23	2.17	7.10	2.19
	-10	6.53	2.03	6.40	2.05	6.26	2.07	6.19	2.07	6.12	2.07	5.99	2.09
	-15	5.43	1.94	5.29	1.95	5.16	1.97	5.09	1.97	5.02	1.97	4.88	1.99
18 + 07 + 07 + 05	15	12.06	2.52	11.93	2.53	11.79	2.56	11.72	2.57	11.66	2.57	11.52	2.58
	10	10.95	2.42	10.82	2.44	10.68	2.46	10.62	2.47	10.55	2.47	10.41	2.48
	6	10.07	2.34	9.93	2.36	9.80	2.38	9.73	2.39	9.66	2.39	9.53	2.40
	0	8.74	2.23	8.61	2.24	8.47	2.26	8.41	2.27	8.34	2.27	8.20	2.28
	-5	7.64	2.13	7.50	2.14	7.37	2.17	7.30	2.17	7.23	2.17	7.10	2.19
	-10	6.53	2.03	6.40	2.05	6.26	2.07	6.19	2.07	6.12	2.07	5.99	2.09
	-15	5.43	1.94	5.29	1.95	5.16	1.97	5.09	1.97	5.02	1.97	4.88	1.99
22 + 07 + 07 + 05	15	12.31	2.54	12.17	2.56	12.03	2.58	11.96	2.59	11.89	2.59	11.76	2.60
	10	11.18	2.44	11.04	2.46	10.90	2.48	10.83	2.49	10.76	2.49	10.62	2.50
	6	10.28	2.36	10.14	2.38	10.00	2.40	9.93	2.41	9.86	2.41	9.72	2.42
	0	8.92	2.25	8.79	2.26	8.65	2.28	8.58	2.29	8.51	2.29	8.37	2.30
	-5	7.80	2.15	7.66	2.16	7.52	2.18	7.45	2.19	7.38	2.19	7.24	2.20
	-10	6.67	2.05	6.53	2.06	6.39	2.08	6.32	2.09	6.25	2.09	6.11	2.10
	-15	5.54	1.95	5.40	1.97	5.26	1.99	5.19	1.99	5.12	1.99	4.98	2.00

Heating

5 - rooms multisplit : 4 - units operation

Indoor units : 24 type + 07 type + 07 type + 05 type
 10 type + 10 type + 07 type + 05 type
 13 type + 10 type + 07 type + 05 type
 16 type + 10 type + 07 type + 05 type

18 type + 10 type + 07 type + 05 type
 22 type + 10 type + 07 type + 05 type
 24 type + 10 type + 07 type + 05 type
 13 type + 13 type + 07 type + 05 type

TC : Total capacity [kW]
 PI : Power input [kW]

Outdoor unit : RAS-5M34U2AVG-E

Combination (Capacity)	Outdoor air temp. [°C WB]	Indoor air temp. [°C DB]											
		16		18		20		21		22		24	
		TC [kW]	PI [kW]	TC [kW]	PI [kW]	TC [kW]	PI [kW]	TC [kW]	PI [kW]	TC [kW]	PI [kW]	TC [kW]	PI [kW]
24 + 07 + 07 + 05	15	12.31	2.54	12.17	2.56	12.03	2.58	11.96	2.59	11.89	2.59	11.76	2.60
	10	11.18	2.44	11.04	2.46	10.90	2.48	10.83	2.49	10.76	2.49	10.62	2.50
	6	10.28	2.36	10.14	2.38	10.00	2.40	9.93	2.41	9.86	2.41	9.72	2.42
	0	8.92	2.25	8.79	2.26	8.65	2.28	8.58	2.29	8.51	2.29	8.37	2.30
	-5	7.80	2.15	7.66	2.16	7.52	2.18	7.45	2.19	7.38	2.19	7.24	2.20
	-10	6.67	2.05	6.53	2.06	6.39	2.08	6.32	2.09	6.25	2.09	6.11	2.10
	-15	5.54	1.95	5.40	1.97	5.26	1.99	5.19	1.99	5.12	1.99	4.98	2.00
10 + 10 + 07 + 05	15	12.06	2.52	11.93	2.53	11.79	2.56	11.72	2.57	11.66	2.57	11.52	2.58
	10	10.95	2.42	10.82	2.44	10.68	2.46	10.62	2.47	10.55	2.47	10.41	2.48
	6	10.07	2.34	9.93	2.36	9.80	2.38	9.73	2.39	9.66	2.39	9.53	2.40
	0	8.74	2.23	8.61	2.24	8.47	2.26	8.41	2.27	8.34	2.27	8.20	2.28
	-5	7.64	2.13	7.50	2.14	7.37	2.17	7.30	2.17	7.23	2.17	7.10	2.19
	-10	6.53	2.03	6.40	2.05	6.26	2.07	6.19	2.07	6.12	2.07	5.99	2.09
	-15	5.43	1.94	5.29	1.95	5.16	1.97	5.09	1.97	5.02	1.97	4.88	1.99
13 + 10 + 07 + 05	15	12.06	2.52	11.93	2.53	11.79	2.56	11.72	2.57	11.66	2.57	11.52	2.58
	10	10.95	2.42	10.82	2.44	10.68	2.46	10.62	2.47	10.55	2.47	10.41	2.48
	6	10.07	2.34	9.93	2.36	9.80	2.38	9.73	2.39	9.66	2.39	9.53	2.40
	0	8.74	2.23	8.61	2.24	8.47	2.26	8.41	2.27	8.34	2.27	8.20	2.28
	-5	7.64	2.13	7.50	2.14	7.37	2.17	7.30	2.17	7.23	2.17	7.10	2.19
	-10	6.53	2.03	6.40	2.05	6.26	2.07	6.19	2.07	6.12	2.07	5.99	2.09
	-15	5.43	1.94	5.29	1.95	5.16	1.97	5.09	1.97	5.02	1.97	4.88	1.99
16 + 10 + 07 + 05	15	12.06	2.52	11.93	2.53	11.79	2.56	11.72	2.57	11.66	2.57	11.52	2.58
	10	10.95	2.42	10.82	2.44	10.68	2.46	10.62	2.47	10.55	2.47	10.41	2.48
	6	10.07	2.34	9.93	2.36	9.80	2.38	9.73	2.39	9.66	2.39	9.53	2.40
	0	8.74	2.23	8.61	2.24	8.47	2.26	8.41	2.27	8.34	2.27	8.20	2.28
	-5	7.64	2.13	7.50	2.14	7.37	2.17	7.30	2.17	7.23	2.17	7.10	2.19
	-10	6.53	2.03	6.40	2.05	6.26	2.07	6.19	2.07	6.12	2.07	5.99	2.09
	-15	5.43	1.94	5.29	1.95	5.16	1.97	5.09	1.97	5.02	1.97	4.88	1.99
18 + 10 + 07 + 05	15	12.31	2.54	12.17	2.56	12.03	2.58	11.96	2.59	11.89	2.59	11.76	2.60
	10	11.18	2.44	11.04	2.46	10.90	2.48	10.83	2.49	10.76	2.49	10.62	2.50
	6	10.28	2.36	10.14	2.38	10.00	2.40	9.93	2.41	9.86	2.41	9.72	2.42
	0	8.92	2.25	8.79	2.26	8.65	2.28	8.58	2.29	8.51	2.29	8.37	2.30
	-5	7.80	2.15	7.66	2.16	7.52	2.18	7.45	2.19	7.38	2.19	7.24	2.20
	-10	6.67	2.05	6.53	2.06	6.39	2.08	6.32	2.09	6.25	2.09	6.11	2.10
	-15	5.54	1.95	5.40	1.97	5.26	1.99	5.19	1.99	5.12	1.99	4.98	2.00
22 + 10 + 07 + 05	15	12.31	2.54	12.17	2.56	12.03	2.58	11.96	2.59	11.89	2.59	11.76	2.60
	10	11.18	2.44	11.04	2.46	10.90	2.48	10.83	2.49	10.76	2.49	10.62	2.50
	6	10.28	2.36	10.14	2.38	10.00	2.40	9.93	2.41	9.86	2.41	9.72	2.42
	0	8.92	2.25	8.79	2.26	8.65	2.28	8.58	2.29	8.51	2.29	8.37	2.30
	-5	7.80	2.15	7.66	2.16	7.52	2.18	7.45	2.19	7.38	2.19	7.24	2.20
	-10	6.67	2.05	6.53	2.06	6.39	2.08	6.32	2.09	6.25	2.09	6.11	2.10
	-15	5.54	1.95	5.40	1.97	5.26	1.99	5.19	1.99	5.12	1.99	4.98	2.00
24 + 10 + 07 + 05	15	12.31	2.54	12.17	2.56	12.03	2.58	11.96	2.59	11.89	2.59	11.76	2.60
	10	11.18	2.44	11.04	2.46	10.90	2.48	10.83	2.49	10.76	2.49	10.62	2.50
	6	10.28	2.36	10.14	2.38	10.00	2.40	9.93	2.41	9.86	2.41	9.72	2.42
	0	8.92	2.25	8.79	2.26	8.65	2.28	8.58	2.29	8.51	2.29	8.37	2.30
	-5	7.80	2.15	7.66	2.16	7.52	2.18	7.45	2.19	7.38	2.19	7.24	2.20
	-10	6.67	2.05	6.53	2.06	6.39	2.08	6.32	2.09	6.25	2.09	6.11	2.10
	-15	5.54	1.95	5.40	1.97	5.26	1.99	5.19	1.99	5.12	1.99	4.98	2.00
13 + 13 + 07 + 05	15	12.06	2.52	11.93	2.53	11.79	2.56	11.72	2.57	11.66	2.57	11.52	2.60
	10	10.95	2.42	10.82	2.44	10.68	2.46	10.62	2.47	10.55	2.47	10.41	2.50
	6	10.07	2.36	9.93	2.38	9.80	2.40	9.73	2.41	9.66	2.41	9.53	2.42
	0	8.74	2.25	8.61	2.26	8.47	2.28	8.41	2.29	8.34	2.29	8.20	2.30
	-5	7.64	2.15	7.50	2.16	7.37	2.18	7.30	2.19	7.23	2.19	7.10	2.20
	-10	6.53	2.05	6.40	2.06	6.26	2.08	6.19	2.09	6.12	2.09	5.99	2.10
	-15	5.43	1.95	5.29	1.97	5.16	1.99	5.09	1.99	5.02	1.99	4.88	2.00

Heating

5 - rooms multisplit : 4 - units operation

Indoor units : 22 type + 18 type + 07 type + 05 type
 10 type + 10 type + 10 type + 05 type
 13 type + 10 type + 10 type + 05 type
 16 type + 10 type + 10 type + 05 type

18 type + 10 type + 10 type + 05 type
 22 type + 10 type + 10 type + 05 type
 24 type + 10 type + 10 type + 05 type
 13 type + 13 type + 10 type + 05 type

TC : Total capacity [kW]
 PI : Power input [kW]

Outdoor unit : RAS-5M34U2AVG-E

Combination (Capacity)	Outdoor air temp. [°C WB]	Indoor air temp. [°C DB]											
		16		18		20		21		22		24	
		TC [kW]	PI [kW]	TC [kW]	PI [kW]	TC [kW]	PI [kW]	TC [kW]	PI [kW]	TC [kW]	PI [kW]	TC [kW]	PI [kW]
22 + 18 + 07 + 05	15	12.31	2.54	12.17	2.56	12.03	2.58	11.96	2.59	11.89	2.59	11.76	2.60
	10	11.18	2.44	11.04	2.46	10.90	2.48	10.83	2.49	10.76	2.49	10.62	2.50
	6	10.28	2.36	10.14	2.38	10.00	2.40	9.93	2.41	9.86	2.41	9.72	2.42
	0	8.92	2.25	8.79	2.26	8.65	2.28	8.58	2.29	8.51	2.29	8.37	2.30
	-5	7.80	2.15	7.66	2.16	7.52	2.18	7.45	2.19	7.38	2.19	7.24	2.20
	-10	6.67	2.05	6.53	2.06	6.39	2.08	6.32	2.09	6.25	2.09	6.11	2.10
	-15	5.54	1.95	5.40	1.97	5.26	1.99	5.19	1.99	5.12	1.99	4.98	2.00
10 + 10 + 10 + 05	15	12.06	2.52	11.93	2.53	11.79	2.56	11.72	2.57	11.66	2.57	11.52	2.58
	10	10.95	2.42	10.82	2.44	10.68	2.46	10.62	2.47	10.55	2.47	10.41	2.48
	6	10.07	2.34	9.93	2.36	9.80	2.38	9.73	2.39	9.66	2.39	9.53	2.40
	0	8.74	2.23	8.61	2.24	8.47	2.26	8.41	2.27	8.34	2.27	8.20	2.28
	-5	7.64	2.13	7.50	2.14	7.37	2.17	7.30	2.17	7.23	2.17	7.10	2.19
	-10	6.53	2.03	6.40	2.05	6.26	2.07	6.19	2.07	6.12	2.07	5.99	2.09
	-15	5.43	1.94	5.29	1.95	5.16	1.97	5.09	1.97	5.02	1.97	4.88	1.99
13 + 10 + 10 + 05	15	12.06	2.52	11.93	2.53	11.79	2.56	11.72	2.57	11.66	2.57	11.52	2.58
	10	10.95	2.42	10.82	2.44	10.68	2.46	10.62	2.47	10.55	2.47	10.41	2.48
	6	10.07	2.34	9.93	2.36	9.80	2.38	9.73	2.39	9.66	2.39	9.53	2.40
	0	8.74	2.23	8.61	2.24	8.47	2.26	8.41	2.27	8.34	2.27	8.20	2.28
	-5	7.64	2.13	7.50	2.14	7.37	2.17	7.30	2.17	7.23	2.17	7.10	2.19
	-10	6.53	2.03	6.40	2.05	6.26	2.07	6.19	2.07	6.12	2.07	5.99	2.09
	-15	5.43	1.94	5.29	1.95	5.16	1.97	5.09	1.97	5.02	1.97	4.88	1.99
16 + 10 + 10 + 05	15	12.31	2.54	12.17	2.56	12.03	2.58	11.96	2.59	11.89	2.59	11.76	2.60
	10	11.18	2.44	11.04	2.46	10.90	2.48	10.83	2.49	10.76	2.49	10.62	2.50
	6	10.28	2.36	10.14	2.38	10.00	2.40	9.93	2.41	9.86	2.41	9.72	2.42
	0	8.92	2.25	8.79	2.26	8.65	2.28	8.58	2.29	8.51	2.29	8.37	2.30
	-5	7.80	2.15	7.66	2.16	7.52	2.18	7.45	2.19	7.38	2.19	7.24	2.20
	-10	6.67	2.05	6.53	2.06	6.39	2.08	6.32	2.09	6.25	2.09	6.11	2.10
	-15	5.54	1.95	5.40	1.97	5.26	1.99	5.19	1.99	5.12	1.99	4.98	2.00
18 + 10 + 10 + 05	15	12.31	2.54	12.17	2.56	12.03	2.58	11.96	2.59	11.89	2.59	11.76	2.60
	10	11.18	2.44	11.04	2.46	10.90	2.48	10.83	2.49	10.76	2.49	10.62	2.50
	6	10.28	2.36	10.14	2.38	10.00	2.40	9.93	2.41	9.86	2.41	9.72	2.42
	0	8.92	2.25	8.79	2.26	8.65	2.28	8.58	2.29	8.51	2.29	8.37	2.30
	-5	7.80	2.15	7.66	2.16	7.52	2.18	7.45	2.19	7.38	2.19	7.24	2.20
	-10	6.67	2.05	6.53	2.06	6.39	2.08	6.32	2.09	6.25	2.09	6.11	2.10
	-15	5.54	1.95	5.40	1.97	5.26	1.99	5.19	1.99	5.12	1.99	4.98	2.00
22 + 10 + 10 + 05	15	12.31	2.54	12.17	2.56	12.03	2.58	11.96	2.59	11.89	2.59	11.76	2.60
	10	11.18	2.44	11.04	2.46	10.90	2.48	10.83	2.49	10.76	2.49	10.62	2.50
	6	10.28	2.36	10.14	2.38	10.00	2.40	9.93	2.41	9.86	2.41	9.72	2.42
	0	8.92	2.25	8.79	2.26	8.65	2.28	8.58	2.29	8.51	2.29	8.37	2.30
	-5	7.80	2.15	7.66	2.16	7.52	2.18	7.45	2.19	7.38	2.19	7.24	2.20
	-10	6.67	2.05	6.53	2.06	6.39	2.08	6.32	2.09	6.25	2.09	6.11	2.10
	-15	5.54	1.95	5.40	1.97	5.26	1.99	5.19	1.99	5.12	1.99	4.98	2.00
24 + 10 + 10 + 05	15	12.31	2.54	12.17	2.56	12.03	2.58	11.96	2.59	11.89	2.59	11.76	2.60
	10	11.18	2.44	11.04	2.46	10.90	2.48	10.83	2.49	10.76	2.49	10.62	2.50
	6	10.28	2.36	10.14	2.38	10.00	2.40	9.93	2.41	9.86	2.41	9.72	2.42
	0	8.92	2.25	8.79	2.26	8.65	2.28	8.58	2.29	8.51	2.29	8.37	2.30
	-5	7.80	2.15	7.66	2.16	7.52	2.18	7.45	2.19	7.38	2.19	7.24	2.20
	-10	6.67	2.05	6.53	2.06	6.39	2.08	6.32	2.09	6.25	2.09	6.11	2.10
	-15	5.54	1.95	5.40	1.97	5.26	1.99	5.19	1.99	5.12	1.99	4.98	2.00
13 + 13 + 10 + 05	15	12.31	2.54	12.17	2.56	12.03	2.58	11.96	2.59	11.89	2.59	11.76	2.60
	10	11.18	2.44	11.04	2.46	10.90	2.48	10.83	2.49	10.76	2.49	10.62	2.50
	6	10.28	2.36	10.14	2.38	10.00	2.40	9.93	2.41	9.86	2.41	9.72	2.42
	0	8.92	2.25	8.79	2.26	8.65	2.28	8.58	2.29	8.51	2.29	8.37	2.30
	-5	7.80	2.15	7.66	2.16	7.52	2.18	7.45	2.19	7.38	2.19	7.24	2.20
	-10	6.67	2.05	6.53	2.06	6.39	2.08	6.32	2.09	6.25	2.09	6.11	2.10
	-15	5.54	1.95	5.40	1.97	5.26	1.99	5.19	1.99	5.12	1.99	4.98	2.00

Heating

5 - rooms multisplit : 4 - units operation

Indoor units : 18 type + 13 type + 13 type + 05 type 13 type + 07 type + 07 type + 07 type
 16 type + 16 type + 13 type + 05 type 16 type + 07 type + 07 type + 07 type
 07 type + 07 type + 07 type + 05 type 18 type + 07 type + 07 type + 07 type
 10 type + 07 type + 07 type + 07 type 22 type + 07 type + 07 type + 07 type

TC : Total capacity [kW]
 PI : Power input [kW]

Outdoor unit : RAS-5M34U2AVG-E

Combination (Capacity)	Outdoor air temp. [°C WB]	Indoor air temp. [°C DB]											
		16		18		20		21		22		24	
		TC [kW]	PI [kW]	TC [kW]	PI [kW]	TC [kW]	PI [kW]	TC [kW]	PI [kW]	TC [kW]	PI [kW]	TC [kW]	PI [kW]
18 + 13 + 13 + 05	15	12.31	2.54	12.17	2.56	12.03	2.58	11.96	2.59	11.89	2.59	11.76	2.60
	10	11.18	2.44	11.04	2.46	10.90	2.48	10.83	2.49	10.76	2.49	10.62	2.50
	6	10.28	2.36	10.14	2.38	10.00	2.40	9.93	2.41	9.86	2.41	9.72	2.42
	0	8.92	2.25	8.79	2.26	8.65	2.28	8.58	2.29	8.51	2.29	8.37	2.30
	-5	7.80	2.15	7.66	2.16	7.52	2.18	7.45	2.19	7.38	2.19	7.24	2.20
	-10	6.67	2.05	6.53	2.06	6.39	2.08	6.32	2.09	6.25	2.09	6.11	2.10
	-15	5.54	1.95	5.40	1.97	5.26	1.99	5.19	1.99	5.12	1.99	4.98	2.00
16 + 16 + 13 + 05	15	12.31	2.54	12.17	2.56	12.03	2.58	11.96	2.59	11.89	2.59	11.76	2.60
	10	11.18	2.44	11.04	2.46	10.90	2.48	10.83	2.49	10.76	2.49	10.62	2.50
	6	10.28	2.36	10.14	2.38	10.00	2.40	9.93	2.41	9.86	2.41	9.72	2.42
	0	8.92	2.25	8.79	2.26	8.65	2.28	8.58	2.29	8.51	2.29	8.37	2.30
	-5	7.80	2.15	7.66	2.16	7.52	2.18	7.45	2.19	7.38	2.19	7.24	2.20
	-10	6.67	2.05	6.53	2.06	6.39	2.08	6.32	2.09	6.25	2.09	6.11	2.10
	-15	5.54	1.95	5.40	1.97	5.26	1.99	5.19	1.99	5.12	1.99	4.98	2.00
07 + 07 + 07 + 07	15	11.45	2.46	11.32	2.48	11.19	2.51	11.13	2.51	11.06	2.51	10.93	2.53
	10	10.40	2.37	10.27	2.39	10.14	2.41	10.07	2.42	10.01	2.42	9.88	2.43
	6	9.56	2.29	9.43	2.31	9.30	2.33	9.23	2.34	9.17	2.34	9.04	2.35
	0	8.30	2.18	8.17	2.19	8.04	2.22	7.98	2.22	7.91	2.22	7.79	2.24
	-5	7.25	2.09	7.12	2.10	6.99	2.12	6.93	2.13	6.87	2.13	6.74	2.14
	-10	6.20	1.99	6.07	2.00	5.94	2.02	5.88	2.03	5.81	2.03	5.68	2.04
	-15	5.15	1.90	5.02	1.91	4.89	1.93	4.83	1.93	4.76	1.93	4.63	1.94
10 + 07 + 07 + 07	15	11.57	2.48	11.44	2.49	11.31	2.52	11.25	2.52	11.18	2.52	11.05	2.54
	10	10.51	2.38	10.38	2.40	10.25	2.42	10.18	2.43	10.12	2.43	9.99	2.44
	6	9.66	2.30	9.53	2.32	9.40	2.34	9.33	2.35	9.27	2.35	9.14	2.36
	0	8.39	2.19	8.26	2.20	8.13	2.23	8.06	2.23	8.00	2.23	7.87	2.25
	-5	7.33	2.09	7.20	2.11	7.07	2.13	7.00	2.14	6.94	2.14	6.81	2.15
	-10	6.27	2.00	6.14	2.01	6.01	2.03	5.94	2.04	5.87	2.04	5.74	2.05
	-15	5.20	1.90	5.07	1.92	4.95	1.94	4.88	1.94	4.81	1.94	4.68	1.95
13 + 07 + 07 + 07	15	11.82	2.50	11.68	2.51	11.55	2.54	11.49	2.54	11.42	2.54	11.29	2.56
	10	10.73	2.40	10.60	2.42	10.47	2.44	10.40	2.45	10.33	2.45	10.20	2.46
	6	9.86	2.32	9.73	2.34	9.60	2.36	9.53	2.37	9.47	2.37	9.33	2.38
	0	8.57	2.21	8.43	2.22	8.30	2.24	8.24	2.25	8.17	2.25	8.04	2.27
	-5	7.48	2.11	7.35	2.13	7.22	2.15	7.15	2.15	7.09	2.15	6.95	2.17
	-10	6.40	2.02	6.27	2.03	6.13	2.05	6.07	2.06	6.00	2.06	5.87	2.07
	-15	5.32	1.92	5.18	1.93	5.05	1.95	4.98	1.96	4.92	1.96	4.78	1.97
16 + 07 + 07 + 07	15	11.94	2.51	11.80	2.52	11.67	2.55	11.60	2.56	11.54	2.56	11.40	2.57
	10	10.84	2.41	10.71	2.43	10.58	2.45	10.51	2.46	10.44	2.46	10.31	2.47
	6	9.97	2.33	9.83	2.35	9.70	2.37	9.63	2.38	9.56	2.38	9.43	2.39
	0	8.66	2.22	8.52	2.23	8.39	2.25	8.32	2.26	8.25	2.26	8.12	2.28
	-5	7.56	2.12	7.43	2.13	7.29	2.16	7.23	2.16	7.16	2.16	7.03	2.18
	-10	6.47	2.02	6.33	2.04	6.20	2.06	6.13	2.06	6.06	2.06	5.93	2.08
	-15	5.37	1.93	5.24	1.94	5.10	1.96	5.04	1.97	4.97	1.97	4.83	1.98
18 + 07 + 07 + 07	15	12.06	2.52	11.93	2.53	11.79	2.56	11.72	2.57	11.66	2.57	11.52	2.58
	10	10.95	2.42	10.82	2.44	10.68	2.46	10.62	2.47	10.55	2.47	10.41	2.48
	6	10.07	2.34	9.93	2.36	9.80	2.38	9.73	2.39	9.66	2.39	9.53	2.40
	0	8.74	2.23	8.61	2.24	8.47	2.26	8.41	2.27	8.34	2.27	8.20	2.28
	-5	7.64	2.13	7.50	2.14	7.37	2.17	7.30	2.17	7.23	2.17	7.10	2.19
	-10	6.53	2.03	6.40	2.05	6.26	2.07	6.19	2.07	6.12	2.07	5.99	2.09
	-15	5.43	1.94	5.29	1.95	5.16	1.97	5.09	1.97	5.02	1.97	4.88	1.99
22 + 07 + 07 + 07	15	12.31	2.54	12.17	2.56	12.03	2.58	11.96	2.59	11.89	2.59	11.76	2.60
	10	11.18	2.44	11.04	2.46	10.90	2.48	10.83	2.49	10.76	2.49	10.62	2.50
	6	10.28	2.36	10.14	2.38	10.00	2.40	9.93	2.41	9.86	2.41	9.72	2.42
	0	8.92	2.25	8.79	2.26	8.65	2.28	8.58	2.29	8.51	2.29	8.37	2.30
	-5	7.80	2.15	7.66	2.16	7.52	2.18	7.45	2.19	7.38	2.19	7.24	2.20
	-10	6.67	2.05	6.53	2.06	6.39	2.08	6.32	2.09	6.25	2.09	6.11	2.10
	-15	5.54	1.95	5.40	1.97	5.26	1.99	5.19	1.99	5.12	1.99	4.98	2.00

Heating

5 - rooms multisplit : 4 - units operation

Indoor units : 24 type + 07 type + 07 type + 07 type
 10 type + 10 type + 07 type + 07 type
 13 type + 10 type + 07 type + 07 type
 16 type + 10 type + 07 type + 07 type

18 type + 10 type + 07 type + 07 type
 22 type + 10 type + 07 type + 07 type
 24 type + 10 type + 07 type + 07 type
 13 type + 13 type + 07 type + 07 type

TC : Total capacity [kW]
 PI : Power input [kW]

Outdoor unit : RAS-5M34U2AVG-E

Combination (Capacity)	Outdoor air temp. [°C WB]	Indoor air temp. [°C DB]											
		16		18		20		21		22		24	
		TC [kW]	PI [kW]	TC [kW]	PI [kW]	TC [kW]	PI [kW]	TC [kW]	PI [kW]	TC [kW]	PI [kW]	TC [kW]	PI [kW]
24 + 07 + 07 + 07	15	12.31	2.54	12.17	2.56	12.03	2.58	11.96	2.59	11.89	2.59	11.76	2.60
	10	11.18	2.44	11.04	2.46	10.90	2.48	10.83	2.49	10.76	2.49	10.62	2.50
	6	10.28	2.36	10.14	2.38	10.00	2.40	9.93	2.41	9.86	2.41	9.72	2.42
	0	8.92	2.25	8.79	2.26	8.65	2.28	8.58	2.29	8.51	2.29	8.37	2.30
	-5	7.80	2.15	7.66	2.16	7.52	2.18	7.45	2.19	7.38	2.19	7.24	2.20
	-10	6.67	2.05	6.53	2.06	6.39	2.08	6.32	2.09	6.25	2.09	6.11	2.10
	-15	5.54	1.95	5.40	1.97	5.26	1.99	5.19	1.99	5.12	1.99	4.98	2.00
10 + 10 + 07 + 07	15	11.69	2.49	11.56	2.50	11.43	2.53	11.37	2.53	11.30	2.53	11.17	2.55
	10	10.62	2.39	10.49	2.41	10.36	2.43	10.29	2.44	10.22	2.44	10.09	2.45
	6	9.76	2.31	9.63	2.33	9.50	2.35	9.43	2.36	9.37	2.36	9.24	2.37
	0	8.48	2.20	8.35	2.21	8.21	2.24	8.15	2.24	8.08	2.24	7.95	2.26
	-5	7.41	2.10	7.27	2.12	7.14	2.14	7.08	2.14	7.01	2.14	6.88	2.16
	-10	6.33	2.01	6.20	2.02	6.07	2.04	6.00	2.05	5.94	2.05	5.81	2.06
	-15	5.26	1.91	5.13	1.92	5.00	1.94	4.93	1.95	4.87	1.95	4.73	1.96
13 + 10 + 07 + 07	15	11.94	2.51	11.80	2.52	11.67	2.55	11.60	2.56	11.54	2.56	11.40	2.57
	10	10.84	2.41	10.71	2.43	10.58	2.45	10.51	2.46	10.44	2.46	10.31	2.47
	6	9.97	2.33	9.83	2.35	9.70	2.37	9.63	2.38	9.56	2.38	9.43	2.39
	0	8.66	2.22	8.52	2.23	8.39	2.25	8.32	2.26	8.25	2.26	8.12	2.28
	-5	7.56	2.12	7.43	2.13	7.29	2.16	7.23	2.16	7.16	2.16	7.03	2.18
	-10	6.47	2.02	6.33	2.04	6.20	2.06	6.13	2.06	6.06	2.06	5.93	2.08
	-15	5.37	1.93	5.24	1.94	5.10	1.96	5.04	1.97	4.97	1.97	4.83	1.98
16 + 10 + 07 + 07	15	12.06	2.52	11.93	2.53	11.79	2.56	11.72	2.57	11.66	2.57	11.52	2.58
	10	10.95	2.42	10.82	2.44	10.68	2.46	10.62	2.47	10.55	2.47	10.41	2.48
	6	10.07	2.34	9.93	2.36	9.80	2.38	9.73	2.39	9.66	2.39	9.53	2.40
	0	8.74	2.23	8.61	2.24	8.47	2.26	8.41	2.27	8.34	2.27	8.20	2.28
	-5	7.64	2.13	7.50	2.14	7.37	2.17	7.30	2.17	7.23	2.17	7.10	2.19
	-10	6.53	2.03	6.40	2.05	6.26	2.07	6.19	2.07	6.12	2.07	5.99	2.09
	-15	5.43	1.94	5.29	1.95	5.16	1.97	5.09	1.97	5.02	1.97	4.88	1.99
18 + 10 + 07 + 07	15	12.18	2.53	12.05	2.54	11.91	2.57	11.84	2.58	11.78	2.58	11.64	2.59
	10	11.07	2.43	10.93	2.45	10.79	2.47	10.72	2.48	10.65	2.48	10.52	2.49
	6	10.17	2.35	10.04	2.37	9.90	2.39	9.83	2.40	9.76	2.40	9.62	2.41
	0	8.83	2.24	8.70	2.25	8.56	2.27	8.49	2.28	8.42	2.28	8.29	2.29
	-5	7.72	2.14	7.58	2.15	7.44	2.17	7.38	2.18	7.31	2.18	7.17	2.19
	-10	6.60	2.04	6.46	2.05	6.33	2.08	6.26	2.08	6.19	2.08	6.05	2.09
	-15	5.48	1.94	5.34	1.96	5.21	1.98	5.14	1.98	5.07	1.98	4.93	1.99
22 + 10 + 07 + 07	15	12.31	2.54	12.17	2.56	12.03	2.58	11.96	2.59	11.89	2.59	11.76	2.60
	10	11.18	2.44	11.04	2.46	10.90	2.48	10.83	2.49	10.76	2.49	10.62	2.50
	6	10.28	2.36	10.14	2.38	10.00	2.40	9.93	2.41	9.86	2.41	9.72	2.42
	0	8.92	2.25	8.79	2.26	8.65	2.28	8.58	2.29	8.51	2.29	8.37	2.30
	-5	7.80	2.15	7.66	2.16	7.52	2.18	7.45	2.19	7.38	2.19	7.24	2.20
	-10	6.67	2.05	6.53	2.06	6.39	2.08	6.32	2.09	6.25	2.09	6.11	2.10
	-15	5.54	1.95	5.40	1.97	5.26	1.99	5.19	1.99	5.12	1.99	4.98	2.00
24 + 10 + 07 + 07	15	12.31	2.54	12.17	2.56	12.03	2.58	11.96	2.59	11.89	2.59	11.76	2.60
	10	11.18	2.44	11.04	2.46	10.90	2.48	10.83	2.49	10.76	2.49	10.62	2.50
	6	10.28	2.36	10.14	2.38	10.00	2.40	9.93	2.41	9.86	2.41	9.72	2.42
	0	8.92	2.25	8.79	2.26	8.65	2.28	8.58	2.29	8.51	2.29	8.37	2.30
	-5	7.80	2.15	7.66	2.16	7.52	2.18	7.45	2.19	7.38	2.19	7.24	2.20
	-10	6.67	2.05	6.53	2.06	6.39	2.08	6.32	2.09	6.25	2.09	6.11	2.10
	-15	5.54	1.95	5.40	1.97	5.26	1.99	5.19	1.99	5.12	1.99	4.98	2.00
13 + 13 + 07 + 07	15	12.18	2.53	12.05	2.54	11.91	2.57	11.84	2.58	11.78	2.58	11.64	2.59
	10	11.07	2.43	10.93	2.45	10.79	2.47	10.72	2.48	10.65	2.48	10.52	2.49
	6	10.17	2.35	10.04	2.37	9.90	2.39	9.83	2.40	9.76	2.40	9.62	2.41
	0	8.83	2.24	8.70	2.25	8.56	2.27	8.49	2.28	8.42	2.28	8.29	2.29
	-5	7.72	2.14	7.58	2.15	7.44	2.17	7.38	2.18	7.31	2.18	7.17	2.19
	-10	6.60	2.04	6.46	2.05	6.33	2.08	6.26	2.08	6.19	2.08	6.05	2.09
	-15	5.48	1.94	5.34	1.96	5.21	1.98	5.14	1.98	5.07	1.98	4.93	1.99

Heating

5 - rooms multisplit : 4 - units operation

Indoor units : 16 type + 13 type + 07 type + 07 type
 18 type + 13 type + 07 type + 07 type
 22 type + 13 type + 07 type + 07 type
 24 type + 13 type + 07 type + 07 type

16 type + 16 type + 07 type + 07 type
 18 type + 16 type + 07 type + 07 type
 22 type + 16 type + 07 type + 07 type
 24 type + 16 type + 07 type + 07 type

TC : Total capacity [kW]
 PI : Power input [kW]

Outdoor unit : RAS-5M34U2AVG-E

Combination (Capacity)	Outdoor air temp. [°C WB]	Indoor air temp. [°C DB]											
		16		18		20		21		22		24	
		TC [kW]	PI [kW]	TC [kW]	PI [kW]	TC [kW]	PI [kW]	TC [kW]	PI [kW]	TC [kW]	PI [kW]	TC [kW]	PI [kW]
16 + 13 + 07 + 07	15	12.31	2.54	12.17	2.56	12.03	2.58	11.96	2.59	11.89	2.59	11.76	2.60
	10	11.18	2.44	11.04	2.46	10.90	2.48	10.83	2.49	10.76	2.49	10.62	2.50
	6	10.28	2.36	10.14	2.38	10.00	2.40	9.93	2.41	9.86	2.41	9.72	2.42
	0	8.92	2.25	8.79	2.26	8.65	2.28	8.58	2.29	8.51	2.29	8.37	2.30
	-5	7.80	2.15	7.66	2.16	7.52	2.18	7.45	2.19	7.38	2.19	7.24	2.20
	-10	6.67	2.05	6.53	2.06	6.39	2.08	6.32	2.09	6.25	2.09	6.11	2.10
	-15	5.54	1.95	5.40	1.97	5.26	1.99	5.19	1.99	5.12	1.99	4.98	2.00
18 + 13 + 07 + 07	15	12.31	2.54	12.17	2.56	12.03	2.58	11.96	2.59	11.89	2.59	11.76	2.60
	10	11.18	2.44	11.04	2.46	10.90	2.48	10.83	2.49	10.76	2.49	10.62	2.50
	6	10.28	2.36	10.14	2.38	10.00	2.40	9.93	2.41	9.86	2.41	9.72	2.42
	0	8.92	2.25	8.79	2.26	8.65	2.28	8.58	2.29	8.51	2.29	8.37	2.30
	-5	7.80	2.15	7.66	2.16	7.52	2.18	7.45	2.19	7.38	2.19	7.24	2.20
	-10	6.67	2.05	6.53	2.06	6.39	2.08	6.32	2.09	6.25	2.09	6.11	2.10
	-15	5.54	1.95	5.40	1.97	5.26	1.99	5.19	1.99	5.12	1.99	4.98	2.00
22 + 13 + 07 + 07	15	12.31	2.54	12.17	2.56	12.03	2.58	11.96	2.59	11.89	2.59	11.76	2.60
	10	11.18	2.44	11.04	2.46	10.90	2.48	10.83	2.49	10.76	2.49	10.62	2.50
	6	10.28	2.36	10.14	2.38	10.00	2.40	9.93	2.41	9.86	2.41	9.72	2.42
	0	8.92	2.25	8.79	2.26	8.65	2.28	8.58	2.29	8.51	2.29	8.37	2.30
	-5	7.80	2.15	7.66	2.16	7.52	2.18	7.45	2.19	7.38	2.19	7.24	2.20
	-10	6.67	2.05	6.53	2.06	6.39	2.08	6.32	2.09	6.25	2.09	6.11	2.10
	-15	5.54	1.95	5.40	1.97	5.26	1.99	5.19	1.99	5.12	1.99	4.98	2.00
24 + 13 + 07 + 07	15	12.31	2.54	12.17	2.56	12.03	2.58	11.96	2.59	11.89	2.59	11.76	2.60
	10	11.18	2.44	11.04	2.46	10.90	2.48	10.83	2.49	10.76	2.49	10.62	2.50
	6	10.28	2.36	10.14	2.38	10.00	2.40	9.93	2.41	9.86	2.41	9.72	2.42
	0	8.92	2.25	8.79	2.26	8.65	2.28	8.58	2.29	8.51	2.29	8.37	2.30
	-5	7.80	2.15	7.66	2.16	7.52	2.18	7.45	2.19	7.38	2.19	7.24	2.20
	-10	6.67	2.05	6.53	2.06	6.39	2.08	6.32	2.09	6.25	2.09	6.11	2.10
	-15	5.54	1.95	5.40	1.97	5.26	1.99	5.19	1.99	5.12	1.99	4.98	2.00
16 + 16 + 07 + 07	15	12.31	2.54	12.17	2.56	12.03	2.58	11.96	2.59	11.89	2.59	11.76	2.60
	10	11.18	2.44	11.04	2.46	10.90	2.48	10.83	2.49	10.76	2.49	10.62	2.50
	6	10.28	2.36	10.14	2.38	10.00	2.40	9.93	2.41	9.86	2.41	9.72	2.42
	0	8.92	2.25	8.79	2.26	8.65	2.28	8.58	2.29	8.51	2.29	8.37	2.30
	-5	7.80	2.15	7.66	2.16	7.52	2.18	7.45	2.19	7.38	2.19	7.24	2.20
	-10	6.67	2.05	6.53	2.06	6.39	2.08	6.32	2.09	6.25	2.09	6.11	2.10
	-15	5.54	1.95	5.40	1.97	5.26	1.99	5.19	1.99	5.12	1.99	4.98	2.00
18 + 16 + 07 + 07	15	12.31	2.54	12.17	2.56	12.03	2.58	11.96	2.59	11.89	2.59	11.76	2.60
	10	11.18	2.44	11.04	2.46	10.90	2.48	10.83	2.49	10.76	2.49	10.62	2.50
	6	10.28	2.36	10.14	2.38	10.00	2.40	9.93	2.41	9.86	2.41	9.72	2.42
	0	8.92	2.25	8.79	2.26	8.65	2.28	8.58	2.29	8.51	2.29	8.37	2.30
	-5	7.80	2.15	7.66	2.16	7.52	2.18	7.45	2.19	7.38	2.19	7.24	2.20
	-10	6.67	2.05	6.53	2.06	6.39	2.08	6.32	2.09	6.25	2.09	6.11	2.10
	-15	5.54	1.95	5.40	1.97	5.26	1.99	5.19	1.99	5.12	1.99	4.98	2.00
22 + 16 + 07 + 07	15	12.31	2.54	12.17	2.56	12.03	2.58	11.96	2.59	11.89	2.59	11.76	2.60
	10	11.18	2.44	11.04	2.46	10.90	2.48	10.83	2.49	10.76	2.49	10.62	2.50
	6	10.28	2.36	10.14	2.38	10.00	2.40	9.93	2.41	9.86	2.41	9.72	2.42
	0	8.92	2.25	8.79	2.26	8.65	2.28	8.58	2.29	8.51	2.29	8.37	2.30
	-5	7.80	2.15	7.66	2.16	7.52	2.18	7.45	2.19	7.38	2.19	7.24	2.20
	-10	6.67	2.05	6.53	2.06	6.39	2.08	6.32	2.09	6.25	2.09	6.11	2.10
	-15	5.54	1.95	5.40	1.97	5.26	1.99	5.19	1.99	5.12	1.99	4.98	2.00
24 + 16 + 07 + 07	15	12.31	2.54	12.17	2.56	12.03	2.58	11.96	2.59	11.89	2.59	11.76	2.60
	10	11.18	2.44	11.04	2.46	10.90	2.48	10.83	2.49	10.76	2.49	10.62	2.50
	6	10.28	2.36	10.14	2.38	10.00	2.40	9.93	2.41	9.86	2.41	9.72	2.42
	0	8.92	2.25	8.79	2.26	8.65	2.28	8.58	2.29	8.51	2.29	8.37	2.30
	-5	7.80	2.15	7.66	2.16	7.52	2.18	7.45	2.19	7.38	2.19	7.24	2.20
	-10	6.67	2.05	6.53	2.06	6.39	2.08	6.32	2.09	6.25	2.09	6.11	2.10
	-15	5.54	1.95	5.40	1.97	5.26	1.99	5.19	1.99	5.12	1.99	4.98	2.00

Heating

5 - rooms multisplit : 4 - units operation

Indoor units : 18 type + 18 type + 07 type + 07 type
 22 type + 18 type + 07 type + 07 type
 24 type + 18 type + 07 type + 07 type
 10 type + 10 type + 10 type + 07 type

13 type + 10 type + 10 type + 07 type
 16 type + 10 type + 10 type + 07 type
 18 type + 10 type + 10 type + 07 type
 22 type + 10 type + 10 type + 07 type

TC : Total capacity [kW]
 PI : Power input [kW]

Outdoor unit : RAS-5M34U2AVG-E

Combination (Capacity)	Outdoor air temp. [°C WB]	Indoor air temp. [°C DB]											
		16		18		20		21		22		24	
		TC [kW]	PI [kW]	TC [kW]	PI [kW]	TC [kW]	PI [kW]	TC [kW]	PI [kW]	TC [kW]	PI [kW]	TC [kW]	PI [kW]
18 + 18 + 07 + 07	15	12.31	2.54	12.17	2.56	12.03	2.58	11.96	2.59	11.89	2.59	11.76	2.60
	10	11.18	2.44	11.04	2.46	10.90	2.48	10.83	2.49	10.76	2.49	10.62	2.50
	6	10.28	2.36	10.14	2.38	10.00	2.40	9.93	2.41	9.86	2.41	9.72	2.42
	0	8.92	2.25	8.79	2.26	8.65	2.28	8.58	2.29	8.51	2.29	8.37	2.30
	-5	7.80	2.15	7.66	2.16	7.52	2.18	7.45	2.19	7.38	2.19	7.24	2.20
	-10	6.67	2.05	6.53	2.06	6.39	2.08	6.32	2.09	6.25	2.09	6.11	2.10
	-15	5.54	1.95	5.40	1.97	5.26	1.99	5.19	1.99	5.12	1.99	4.98	2.00
22 + 18 + 07 + 07	15	12.31	2.54	12.17	2.56	12.03	2.58	11.96	2.59	11.89	2.59	11.76	2.60
	10	11.18	2.44	11.04	2.46	10.90	2.48	10.83	2.49	10.76	2.49	10.62	2.50
	6	10.28	2.36	10.14	2.38	10.00	2.40	9.93	2.41	9.86	2.41	9.72	2.42
	0	8.92	2.25	8.79	2.26	8.65	2.28	8.58	2.29	8.51	2.29	8.37	2.30
	-5	7.80	2.15	7.66	2.16	7.52	2.18	7.45	2.19	7.38	2.19	7.24	2.20
	-10	6.67	2.05	6.53	2.06	6.39	2.08	6.32	2.09	6.25	2.09	6.11	2.10
	-15	5.54	1.95	5.40	1.97	5.26	1.99	5.19	1.99	5.12	1.99	4.98	2.00
24 + 18 + 07 + 07	15	12.31	2.54	12.17	2.56	12.03	2.58	11.96	2.59	11.89	2.59	11.76	2.60
	10	11.18	2.44	11.04	2.46	10.90	2.48	10.83	2.49	10.76	2.49	10.62	2.50
	6	10.28	2.36	10.14	2.38	10.00	2.40	9.93	2.41	9.86	2.41	9.72	2.42
	0	8.92	2.25	8.79	2.26	8.65	2.28	8.58	2.29	8.51	2.29	8.37	2.30
	-5	7.80	2.15	7.66	2.16	7.52	2.18	7.45	2.19	7.38	2.19	7.24	2.20
	-10	6.67	2.05	6.53	2.06	6.39	2.08	6.32	2.09	6.25	2.09	6.11	2.10
	-15	5.54	1.95	5.40	1.97	5.26	1.99	5.19	1.99	5.12	1.99	4.98	2.00
10 + 10 + 10 + 07	15	11.82	2.50	11.68	2.51	11.55	2.54	11.49	2.54	11.42	2.54	11.29	2.56
	10	10.73	2.40	10.60	2.42	10.47	2.44	10.40	2.45	10.33	2.45	10.20	2.46
	6	9.86	2.32	9.73	2.34	9.60	2.36	9.53	2.37	9.47	2.37	9.33	2.38
	0	8.57	2.21	8.43	2.22	8.30	2.24	8.24	2.25	8.17	2.25	8.04	2.27
	-5	7.48	2.11	7.35	2.13	7.22	2.15	7.15	2.15	7.09	2.15	6.95	2.17
	-10	6.40	2.02	6.27	2.03	6.13	2.05	6.07	2.06	6.00	2.06	5.87	2.07
	-15	5.32	1.92	5.18	1.93	5.05	1.95	4.98	1.96	4.92	1.96	4.78	1.97
13 + 10 + 10 + 07	15	12.06	2.52	11.93	2.53	11.79	2.56	11.72	2.57	11.66	2.57	11.52	2.58
	10	10.95	2.42	10.82	2.44	10.68	2.46	10.62	2.47	10.55	2.47	10.41	2.48
	6	10.07	2.34	9.93	2.36	9.80	2.38	9.73	2.39	9.66	2.39	9.53	2.40
	0	8.74	2.23	8.61	2.24	8.47	2.26	8.41	2.27	8.34	2.27	8.20	2.28
	-5	7.64	2.13	7.50	2.14	7.37	2.17	7.30	2.17	7.23	2.17	7.10	2.19
	-10	6.53	2.03	6.40	2.05	6.26	2.07	6.19	2.07	6.12	2.07	5.99	2.09
	-15	5.43	1.94	5.29	1.95	5.16	1.97	5.09	1.97	5.02	1.97	4.88	1.99
16 + 10 + 10 + 07	15	12.18	2.53	12.05	2.54	11.91	2.57	11.84	2.58	11.78	2.58	11.64	2.59
	10	11.07	2.43	10.93	2.45	10.79	2.47	10.72	2.48	10.65	2.48	10.52	2.49
	6	10.17	2.35	10.04	2.37	9.90	2.39	9.83	2.40	9.76	2.40	9.62	2.41
	0	8.83	2.24	8.70	2.25	8.56	2.27	8.49	2.28	8.42	2.28	8.29	2.29
	-5	7.72	2.14	7.58	2.15	7.44	2.17	7.38	2.18	7.31	2.18	7.17	2.19
	-10	6.60	2.04	6.46	2.05	6.33	2.08	6.26	2.08	6.19	2.08	6.05	2.09
	-15	5.48	1.94	5.34	1.96	5.21	1.98	5.14	1.98	5.07	1.98	4.93	1.99
18 + 10 + 10 + 07	15	12.31	2.54	12.17	2.56	12.03	2.58	11.96	2.59	11.89	2.59	11.76	2.60
	10	11.18	2.44	11.04	2.46	10.90	2.48	10.83	2.49	10.76	2.49	10.62	2.50
	6	10.28	2.36	10.14	2.38	10.00	2.40	9.93	2.41	9.86	2.41	9.72	2.42
	0	8.92	2.25	8.79	2.26	8.65	2.28	8.58	2.29	8.51	2.29	8.37	2.30
	-5	7.80	2.15	7.66	2.16	7.52	2.18	7.45	2.19	7.38	2.19	7.24	2.20
	-10	6.67	2.05	6.53	2.06	6.39	2.08	6.32	2.09	6.25	2.09	6.11	2.10
	-15	5.54	1.95	5.40	1.97	5.26	1.99	5.19	1.99	5.12	1.99	4.98	2.00
22 + 10 + 10 + 07	15	12.31	2.54	12.17	2.56	12.03	2.58	11.96	2.59	11.89	2.59	11.76	2.60
	10	11.18	2.44	11.04	2.46	10.90	2.48	10.83	2.49	10.76	2.49	10.62	2.50
	6	10.28	2.36	10.14	2.38	10.00	2.40	9.93	2.41	9.86	2.41	9.72	2.42
	0	8.92	2.25	8.79	2.26	8.65	2.28	8.58	2.29	8.51	2.29	8.37	2.30
	-5	7.80	2.15	7.66	2.16	7.52	2.18	7.45	2.19	7.38	2.19	7.24	2.20
	-10	6.67	2.05	6.53	2.06	6.39	2.08	6.32	2.09	6.25	2.09	6.11	2.10
	-15	5.54	1.95	5.40	1.97	5.26	1.99	5.19	1.99	5.12	1.99	4.98	2.00

Heating

5 - rooms multisplit : 4 - units operation

Indoor units : 24 type + 10 type + 10 type + 07 type
 13 type + 13 type + 10 type + 07 type
 16 type + 13 type + 10 type + 07 type
 18 type + 13 type + 10 type + 07 type

22 type + 13 type + 10 type + 07 type
 24 type + 13 type + 10 type + 07 type
 16 type + 16 type + 10 type + 07 type
 18 type + 16 type + 10 type + 07 type

TC : Total capacity [kW]
 PI : Power input [kW]

Outdoor unit : RAS-5M34U2AVG-E

Combination (Capacity)	Outdoor air temp. [°C WB]	Indoor air temp. [°C DB]											
		16		18		20		21		22		24	
		TC [kW]	PI [kW]	TC [kW]	PI [kW]	TC [kW]	PI [kW]	TC [kW]	PI [kW]	TC [kW]	PI [kW]	TC [kW]	PI [kW]
24 + 10 + 10 + 07	15	12.31	2.54	12.17	2.56	12.03	2.58	11.96	2.59	11.89	2.59	11.76	2.60
	10	11.18	2.44	11.04	2.46	10.90	2.48	10.83	2.49	10.76	2.49	10.62	2.50
	6	10.28	2.36	10.14	2.38	10.00	2.40	9.93	2.41	9.86	2.41	9.72	2.42
	0	8.92	2.25	8.79	2.26	8.65	2.28	8.58	2.29	8.51	2.29	8.37	2.30
	-5	7.80	2.15	7.66	2.16	7.52	2.18	7.45	2.19	7.38	2.19	7.24	2.20
	-10	6.67	2.05	6.53	2.06	6.39	2.08	6.32	2.09	6.25	2.09	6.11	2.10
	-15	5.54	1.95	5.40	1.97	5.26	1.99	5.19	1.99	5.12	1.99	4.98	2.00
13 + 13 + 10 + 07	15	12.31	2.54	12.17	2.56	12.03	2.58	11.96	2.59	11.89	2.59	11.76	2.60
	10	11.18	2.44	11.04	2.46	10.90	2.48	10.83	2.49	10.76	2.49	10.62	2.50
	6	10.28	2.36	10.14	2.38	10.00	2.40	9.93	2.41	9.86	2.41	9.72	2.42
	0	8.92	2.25	8.79	2.26	8.65	2.28	8.58	2.29	8.51	2.29	8.37	2.30
	-5	7.80	2.15	7.66	2.16	7.52	2.18	7.45	2.19	7.38	2.19	7.24	2.20
	-10	6.67	2.05	6.53	2.06	6.39	2.08	6.32	2.09	6.25	2.09	6.11	2.10
	-15	5.54	1.95	5.40	1.97	5.26	1.99	5.19	1.99	5.12	1.99	4.98	2.00
16 + 13 + 10 + 07	15	12.31	2.54	12.17	2.56	12.03	2.58	11.96	2.59	11.89	2.59	11.76	2.60
	10	11.18	2.44	11.04	2.46	10.90	2.48	10.83	2.49	10.76	2.49	10.62	2.50
	6	10.28	2.36	10.14	2.38	10.00	2.40	9.93	2.41	9.86	2.41	9.72	2.42
	0	8.92	2.25	8.79	2.26	8.65	2.28	8.58	2.29	8.51	2.29	8.37	2.30
	-5	7.80	2.15	7.66	2.16	7.52	2.18	7.45	2.19	7.38	2.19	7.24	2.20
	-10	6.67	2.05	6.53	2.06	6.39	2.08	6.32	2.09	6.25	2.09	6.11	2.10
	-15	5.54	1.95	5.40	1.97	5.26	1.99	5.19	1.99	5.12	1.99	4.98	2.00
18 + 13 + 10 + 07	15	12.31	2.54	12.17	2.56	12.03	2.58	11.96	2.59	11.89	2.59	11.76	2.60
	10	11.18	2.44	11.04	2.46	10.90	2.48	10.83	2.49	10.76	2.49	10.62	2.50
	6	10.28	2.36	10.14	2.38	10.00	2.40	9.93	2.41	9.86	2.41	9.72	2.42
	0	8.92	2.25	8.79	2.26	8.65	2.28	8.58	2.29	8.51	2.29	8.37	2.30
	-5	7.80	2.15	7.66	2.16	7.52	2.18	7.45	2.19	7.38	2.19	7.24	2.20
	-10	6.67	2.05	6.53	2.06	6.39	2.08	6.32	2.09	6.25	2.09	6.11	2.10
	-15	5.54	1.95	5.40	1.97	5.26	1.99	5.19	1.99	5.12	1.99	4.98	2.00
22 + 13+10+07	15	12.31	2.54	12.17	2.56	12.03	2.58	11.96	2.59	11.89	2.59	11.76	2.60
	10	11.18	2.44	11.04	2.46	10.90	2.48	10.83	2.49	10.76	2.49	10.62	2.50
	6	10.28	2.36	10.14	2.38	10.00	2.40	9.93	2.41	9.86	2.41	9.72	2.42
	0	8.92	2.25	8.79	2.26	8.65	2.28	8.58	2.29	8.51	2.29	8.37	2.30
	-5	7.80	2.15	7.66	2.16	7.52	2.18	7.45	2.19	7.38	2.19	7.24	2.20
	-10	6.67	2.05	6.53	2.06	6.39	2.08	6.32	2.09	6.25	2.09	6.11	2.10
	-15	5.54	1.95	5.40	1.97	5.26	1.99	5.19	1.99	5.12	1.99	4.98	2.00
24 + 13 + 10 + 07	15	12.31	2.54	12.17	2.56	12.03	2.58	11.96	2.59	11.89	2.59	11.76	2.60
	10	11.18	2.44	11.04	2.46	10.90	2.48	10.83	2.49	10.76	2.49	10.62	2.50
	6	10.28	2.36	10.14	2.38	10.00	2.40	9.93	2.41	9.86	2.41	9.72	2.42
	0	8.92	2.25	8.79	2.26	8.65	2.28	8.58	2.29	8.51	2.29	8.37	2.30
	-5	7.80	2.15	7.66	2.16	7.52	2.18	7.45	2.19	7.38	2.19	7.24	2.20
	-10	6.67	2.05	6.53	2.06	6.39	2.08	6.32	2.09	6.25	2.09	6.11	2.10
	-15	5.54	1.95	5.40	1.97	5.26	1.99	5.19	1.99	5.12	1.99	4.98	2.00
16 + 16 + 10 + 07	15	12.31	2.54	12.17	2.56	12.03	2.58	11.96	2.59	11.89	2.59	11.76	2.60
	10	11.18	2.44	11.04	2.46	10.90	2.48	10.83	2.49	10.76	2.49	10.62	2.50
	6	10.28	2.36	10.14	2.38	10.00	2.40	9.93	2.41	9.86	2.41	9.72	2.42
	0	8.92	2.25	8.79	2.26	8.65	2.28	8.58	2.29	8.51	2.29	8.37	2.30
	-5	7.80	2.15	7.66	2.16	7.52	2.18	7.45	2.19	7.38	2.19	7.24	2.20
	-10	6.67	2.05	6.53	2.06	6.39	2.08	6.32	2.09	6.25	2.09	6.11	2.10
	-15	5.54	1.95	5.40	1.97	5.26	1.99	5.19	1.99	5.12	1.99	4.98	2.00
18 + 16 + 10 + 07	15	12.31	2.54	12.17	2.56	12.03	2.58	11.96	2.59	11.89	2.59	11.76	2.60
	10	11.18	2.44	11.04	2.46	10.90	2.48	10.83	2.49	10.76	2.49	10.62	2.50
	6	10.28	2.36	10.14	2.38	10.00	2.40	9.93	2.41	9.86	2.41	9.72	2.42
	0	8.92	2.25	8.79	2.26	8.65	2.28	8.58	2.29	8.51	2.29	8.37	2.30
	-5	7.80	2.15	7.66	2.16	7.52	2.18	7.45	2.19	7.38	2.19	7.24	2.20
	-10	6.67	2.05	6.53	2.06	6.39	2.08	6.32	2.09	6.25	2.09	6.11	2.10
	-15	5.54	1.95	5.40	1.97	5.26	1.99	5.19	1.99	5.12	1.99	4.98	2.00

Heating

5 - rooms multisplit : 4 - units operation

Indoor units : 22 type + 16 type + 10 type + 07 type
 24 type + 16 type + 10 type + 07 type
 18 type + 18 type + 10 type + 07 type
 22 type + 18 type + 10 type + 07 type

24 type + 18 type + 10 type + 07 type
 13 type + 13 type + 13 type + 07 type
 16 type + 13 type + 13 type + 07 type
 18 type + 13 type + 13 type + 07 type

TC : Total capacity [kW]
 PI : Power input [kW]

Outdoor unit : RAS-5M34U2AVG-E

Combination (Capacity)	Outdoor air temp. [°C WB]	Indoor air temp. [°C DB]											
		16		18		20		21		22		24	
		TC [kW]	PI [kW]	TC [kW]	PI [kW]	TC [kW]	PI [kW]	TC [kW]	PI [kW]	TC [kW]	PI [kW]	TC [kW]	PI [kW]
22 + 16 + 10 + 07	15	12.31	2.54	12.17	2.56	12.03	2.58	11.96	2.59	11.89	2.59	11.76	2.60
	10	11.18	2.44	11.04	2.46	10.90	2.48	10.83	2.49	10.76	2.49	10.62	2.50
	6	10.28	2.36	10.14	2.38	10.00	2.40	9.93	2.41	9.86	2.41	9.72	2.42
	0	8.92	2.25	8.79	2.26	8.65	2.28	8.58	2.29	8.51	2.29	8.37	2.30
	-5	7.80	2.15	7.66	2.16	7.52	2.18	7.45	2.19	7.38	2.19	7.24	2.20
	-10	6.67	2.05	6.53	2.06	6.39	2.08	6.32	2.09	6.25	2.09	6.11	2.10
	-15	5.54	1.95	5.40	1.97	5.26	1.99	5.19	1.99	5.12	1.99	4.98	2.00
24 + 16 + 10 + 07	15	12.31	2.54	12.17	2.56	12.03	2.58	11.96	2.59	11.89	2.59	11.76	2.60
	10	11.18	2.44	11.04	2.46	10.90	2.48	10.83	2.49	10.76	2.49	10.62	2.50
	6	10.28	2.36	10.14	2.38	10.00	2.40	9.93	2.41	9.86	2.41	9.72	2.42
	0	8.92	2.25	8.79	2.26	8.65	2.28	8.58	2.29	8.51	2.29	8.37	2.30
	-5	7.80	2.15	7.66	2.16	7.52	2.18	7.45	2.19	7.38	2.19	7.24	2.20
	-10	6.67	2.05	6.53	2.06	6.39	2.08	6.32	2.09	6.25	2.09	6.11	2.10
	-15	5.54	1.95	5.40	1.97	5.26	1.99	5.19	1.99	5.12	1.99	4.98	2.00
18 + 18 + 10 + 07	15	12.31	2.54	12.17	2.56	12.03	2.58	11.96	2.59	11.89	2.59	11.76	2.60
	10	11.18	2.44	11.04	2.46	10.90	2.48	10.83	2.49	10.76	2.49	10.62	2.50
	6	10.28	2.36	10.14	2.38	10.00	2.40	9.93	2.41	9.86	2.41	9.72	2.42
	0	8.92	2.25	8.79	2.26	8.65	2.28	8.58	2.29	8.51	2.29	8.37	2.30
	-5	7.80	2.15	7.66	2.16	7.52	2.18	7.45	2.19	7.38	2.19	7.24	2.20
	-10	6.67	2.05	6.53	2.06	6.39	2.08	6.32	2.09	6.25	2.09	6.11	2.10
	-15	5.54	1.95	5.40	1.97	5.26	1.99	5.19	1.99	5.12	1.99	4.98	2.00
22 + 18 + 10 + 07	15	12.31	2.54	12.17	2.56	12.03	2.58	11.96	2.59	11.89	2.59	11.76	2.60
	10	11.18	2.44	11.04	2.46	10.90	2.48	10.83	2.49	10.76	2.49	10.62	2.50
	6	10.28	2.36	10.14	2.38	10.00	2.40	9.93	2.41	9.86	2.41	9.72	2.42
	0	8.92	2.25	8.79	2.26	8.65	2.28	8.58	2.29	8.51	2.29	8.37	2.30
	-5	7.80	2.15	7.66	2.16	7.52	2.18	7.45	2.19	7.38	2.19	7.24	2.20
	-10	6.67	2.05	6.53	2.06	6.39	2.08	6.32	2.09	6.25	2.09	6.11	2.10
	-15	5.54	1.95	5.40	1.97	5.26	1.99	5.19	1.99	5.12	1.99	4.98	2.00
24 + 18 + 10 + 07	15	12.31	2.54	12.17	2.56	12.03	2.58	11.96	2.59	11.89	2.59	11.76	2.60
	10	11.18	2.44	11.04	2.46	10.90	2.48	10.83	2.49	10.76	2.49	10.62	2.50
	6	10.28	2.36	10.14	2.38	10.00	2.40	9.93	2.41	9.86	2.41	9.72	2.42
	0	8.92	2.25	8.79	2.26	8.65	2.28	8.58	2.29	8.51	2.29	8.37	2.30
	-5	7.80	2.15	7.66	2.16	7.52	2.18	7.45	2.19	7.38	2.19	7.24	2.20
	-10	6.67	2.05	6.53	2.06	6.39	2.08	6.32	2.09	6.25	2.09	6.11	2.10
	-15	5.54	1.95	5.40	1.97	5.26	1.99	5.19	1.99	5.12	1.99	4.98	2.00
13 + 13 + 13 + 07	15	12.31	2.54	12.17	2.56	12.03	2.58	11.96	2.59	11.89	2.59	11.76	2.60
	10	11.18	2.44	11.04	2.46	10.90	2.48	10.83	2.49	10.76	2.49	10.62	2.50
	6	10.28	2.36	10.14	2.38	10.00	2.40	9.93	2.41	9.86	2.41	9.72	2.42
	0	8.92	2.25	8.79	2.26	8.65	2.28	8.58	2.29	8.51	2.29	8.37	2.30
	-5	7.80	2.15	7.66	2.16	7.52	2.18	7.45	2.19	7.38	2.19	7.24	2.20
	-10	6.67	2.05	6.53	2.06	6.39	2.08	6.32	2.09	6.25	2.09	6.11	2.10
	-15	5.54	1.95	5.40	1.97	5.26	1.99	5.19	1.99	5.12	1.99	4.98	2.00
16 + 13 + 13 + 07	15	12.31	2.54	12.17	2.56	12.03	2.58	11.96	2.59	11.89	2.59	11.76	2.60
	10	11.18	2.44	11.04	2.46	10.90	2.48	10.83	2.49	10.76	2.49	10.62	2.50
	6	10.28	2.36	10.14	2.38	10.00	2.40	9.93	2.41	9.86	2.41	9.72	2.42
	0	8.92	2.25	8.79	2.26	8.65	2.28	8.58	2.29	8.51	2.29	8.37	2.30
	-5	7.80	2.15	7.66	2.16	7.52	2.18	7.45	2.19	7.38	2.19	7.24	2.20
	-10	6.67	2.05	6.53	2.06	6.39	2.08	6.32	2.09	6.25	2.09	6.11	2.10
	-15	5.54	1.95	5.40	1.97	5.26	1.99	5.19	1.99	5.12	1.99	4.98	2.00
18 + 13 + 13 + 07	15	12.31	2.54	12.17	2.56	12.03	2.58	11.96	2.59	11.89	2.59	11.76	2.60
	10	11.18	2.44	11.04	2.46	10.90	2.48	10.83	2.49	10.76	2.49	10.62	2.50
	6	10.28	2.36	10.14	2.38	10.00	2.40	9.93	2.41	9.86	2.41	9.72	2.42
	0	8.92	2.25	8.79	2.26	8.65	2.28	8.58	2.29	8.51	2.29	8.37	2.30
	-5	7.80	2.15	7.66	2.16	7.52	2.18	7.45	2.19	7.38	2.19	7.24	2.20
	-10	6.67	2.05	6.53	2.06	6.39	2.08	6.32	2.09	6.25	2.09	6.11	2.10
	-15	5.54	1.95	5.40	1.97	5.26	1.99	5.19	1.99	5.12	1.99	4.98	2.00

Heating

5 - rooms multisplit : 4 - units operation

Indoor units : 22 type + 13 type + 13 type + 07 type
 24 type + 13 type + 13 type + 07 type
 16 type + 16 type + 13 type + 07 type
 18 type + 16 type + 13 type + 07 type

22 type + 16 type + 13 type + 07 type
 24 type + 16 type + 13 type + 07 type
 18 type + 18 type + 13 type + 07 type
 22 type + 18 type + 13 type + 07 type

TC : Total capacity [kW]
 PI : Power input [kW]

Outdoor unit : RAS-5M34U2AVG-E

Combination (Capacity)	Outdoor air temp. [°C WB]	Indoor air temp. [°C DB]											
		16		18		20		21		22		24	
		TC [kW]	PI [kW]	TC [kW]	PI [kW]	TC [kW]	PI [kW]	TC [kW]	PI [kW]	TC [kW]	PI [kW]	TC [kW]	PI [kW]
22 + 13 + 13 + 07	15	12.31	2.54	12.17	2.56	12.03	2.58	11.96	2.59	11.89	2.59	11.76	2.60
	10	11.18	2.44	11.04	2.46	10.90	2.48	10.83	2.49	10.76	2.49	10.62	2.50
	6	10.28	2.36	10.14	2.38	10.00	2.40	9.93	2.41	9.86	2.41	9.72	2.42
	0	8.92	2.25	8.79	2.26	8.65	2.28	8.58	2.29	8.51	2.29	8.37	2.30
	-5	7.80	2.15	7.66	2.16	7.52	2.18	7.45	2.19	7.38	2.19	7.24	2.20
	-10	6.67	2.05	6.53	2.06	6.39	2.08	6.32	2.09	6.25	2.09	6.11	2.10
	-15	5.54	1.95	5.40	1.97	5.26	1.99	5.19	1.99	5.12	1.99	4.98	2.00
24 + 13 + 13 + 07	15	12.31	2.54	12.17	2.56	12.03	2.58	11.96	2.59	11.89	2.59	11.76	2.60
	10	11.18	2.44	11.04	2.46	10.90	2.48	10.83	2.49	10.76	2.49	10.62	2.50
	6	10.28	2.36	10.14	2.38	10.00	2.40	9.93	2.41	9.86	2.41	9.72	2.42
	0	8.92	2.25	8.79	2.26	8.65	2.28	8.58	2.29	8.51	2.29	8.37	2.30
	-5	7.80	2.15	7.66	2.16	7.52	2.18	7.45	2.19	7.38	2.19	7.24	2.20
	-10	6.67	2.05	6.53	2.06	6.39	2.08	6.32	2.09	6.25	2.09	6.11	2.10
	-15	5.54	1.95	5.40	1.97	5.26	1.99	5.19	1.99	5.12	1.99	4.98	2.00
16 + 16 + 13 + 07	15	12.31	2.54	12.17	2.56	12.03	2.58	11.96	2.59	11.89	2.59	11.76	2.60
	10	11.18	2.44	11.04	2.46	10.90	2.48	10.83	2.49	10.76	2.49	10.62	2.50
	6	10.28	2.36	10.14	2.38	10.00	2.40	9.93	2.41	9.86	2.41	9.72	2.42
	0	8.92	2.25	8.79	2.26	8.65	2.28	8.58	2.29	8.51	2.29	8.37	2.30
	-5	7.80	2.15	7.66	2.16	7.52	2.18	7.45	2.19	7.38	2.19	7.24	2.20
	-10	6.67	2.05	6.53	2.06	6.39	2.08	6.32	2.09	6.25	2.09	6.11	2.10
	-15	5.54	1.95	5.40	1.97	5.26	1.99	5.19	1.99	5.12	1.99	4.98	2.00
18 + 16 + 13 + 07	15	12.31	2.54	12.17	2.56	12.03	2.58	11.96	2.59	11.89	2.59	11.76	2.60
	10	11.18	2.44	11.04	2.46	10.90	2.48	10.83	2.49	10.76	2.49	10.62	2.50
	6	10.28	2.36	10.14	2.38	10.00	2.40	9.93	2.41	9.86	2.41	9.72	2.42
	0	8.92	2.25	8.79	2.26	8.65	2.28	8.58	2.29	8.51	2.29	8.37	2.30
	-5	7.80	2.15	7.66	2.16	7.52	2.18	7.45	2.19	7.38	2.19	7.24	2.20
	-10	6.67	2.05	6.53	2.06	6.39	2.08	6.32	2.09	6.25	2.09	6.11	2.10
	-15	5.54	1.95	5.40	1.97	5.26	1.99	5.19	1.99	5.12	1.99	4.98	2.00
22 + 16 + 13 + 07	15	12.31	2.54	12.17	2.56	12.03	2.58	11.96	2.59	11.89	2.59	11.76	2.60
	10	11.18	2.44	11.04	2.46	10.90	2.48	10.83	2.49	10.76	2.49	10.62	2.50
	6	10.28	2.36	10.14	2.38	10.00	2.40	9.93	2.41	9.86	2.41	9.72	2.42
	0	8.92	2.25	8.79	2.26	8.65	2.28	8.58	2.29	8.51	2.29	8.37	2.30
	-5	7.80	2.15	7.66	2.16	7.52	2.18	7.45	2.19	7.38	2.19	7.24	2.20
	-10	6.67	2.05	6.53	2.06	6.39	2.08	6.32	2.09	6.25	2.09	6.11	2.10
	-15	5.54	1.95	5.40	1.97	5.26	1.99	5.19	1.99	5.12	1.99	4.98	2.00
24 + 16 + 13 + 07	15	12.31	2.54	12.17	2.56	12.03	2.58	11.96	2.59	11.89	2.59	11.76	2.60
	10	11.18	2.44	11.04	2.46	10.90	2.48	10.83	2.49	10.76	2.49	10.62	2.50
	6	10.28	2.36	10.14	2.38	10.00	2.40	9.93	2.41	9.86	2.41	9.72	2.42
	0	8.92	2.25	8.79	2.26	8.65	2.28	8.58	2.29	8.51	2.29	8.37	2.30
	-5	7.80	2.15	7.66	2.16	7.52	2.18	7.45	2.19	7.38	2.19	7.24	2.20
	-10	6.67	2.05	6.53	2.06	6.39	2.08	6.32	2.09	6.25	2.09	6.11	2.10
	-15	5.54	1.95	5.40	1.97	5.26	1.99	5.19	1.99	5.12	1.99	4.98	2.00
18 + 18 + 13 + 07	15	12.31	2.54	12.17	2.56	12.03	2.58	11.96	2.59	11.89	2.59	11.76	2.60
	10	11.18	2.44	11.04	2.46	10.90	2.48	10.83	2.49	10.76	2.49	10.62	2.50
	6	10.28	2.36	10.14	2.38	10.00	2.40	9.93	2.41	9.86	2.41	9.72	2.42
	0	8.92	2.25	8.79	2.26	8.65	2.28	8.58	2.29	8.51	2.29	8.37	2.30
	-5	7.80	2.15	7.66	2.16	7.52	2.18	7.45	2.19	7.38	2.19	7.24	2.20
	-10	6.67	2.05	6.53	2.06	6.39	2.08	6.32	2.09	6.25	2.09	6.11	2.10
	-15	5.54	1.95	5.40	1.97	5.26	1.99	5.19	1.99	5.12	1.99	4.98	2.00
22 + 18 + 13 + 07	15	12.31	2.54	12.17	2.56	12.03	2.58	11.96	2.59	11.89	2.59	11.76	2.60
	10	11.18	2.44	11.04	2.46	10.90	2.48	10.83	2.49	10.76	2.49	10.62	2.50
	6	10.28	2.36	10.14	2.38	10.00	2.40	9.93	2.41	9.86	2.41	9.72	2.42
	0	8.92	2.25	8.79	2.26	8.65	2.28	8.58	2.29	8.51	2.29	8.37	2.30
	-5	7.80	2.15	7.66	2.16	7.52	2.18	7.45	2.19	7.38	2.19	7.24	2.20
	-10	6.67	2.05	6.53	2.06	6.39	2.08	6.32	2.09	6.25	2.09	6.11	2.10
	-15	5.54	1.95	5.40	1.97	5.26	1.99	5.19	1.99	5.12	1.99	4.98	2.00

Heating

5 - rooms multisplit : 4 - units operation

Indoor units : 24 type + 18 type + 13 type + 07 type
 10 type + 10 type + 10 type + 10 type
 13 type + 10 type + 10 type + 10 type
 16 type + 10 type + 10 type + 10 type

18 type + 10 type + 10 type + 10 type
 22 type + 10 type + 10 type + 10 type
 24 type + 10 type + 10 type + 10 type
 13 type + 13 type + 10 type + 10 type

TC : Total capacity [kW]
 PI : Power input [kW]

Outdoor unit : RAS-5M34U2AVG-E

Combination (Capacity)	Outdoor air temp. [°C WB]	Indoor air temp. [°C DB]											
		16		18		20		21		22		24	
		TC [kW]	PI [kW]	TC [kW]	PI [kW]	TC [kW]	PI [kW]	TC [kW]	PI [kW]	TC [kW]	PI [kW]	TC [kW]	PI [kW]
24 + 18 + 13 + 07	15	12.31	2.54	12.17	2.56	12.03	2.58	11.96	2.59	11.89	2.59	11.76	2.60
	10	11.18	2.44	11.04	2.46	10.90	2.48	10.83	2.49	10.76	2.49	10.62	2.50
	6	10.28	2.36	10.14	2.38	10.00	2.40	9.93	2.41	9.86	2.41	9.72	2.42
	0	8.92	2.25	8.79	2.26	8.65	2.28	8.58	2.29	8.51	2.29	8.37	2.30
	-5	7.80	2.15	7.66	2.16	7.52	2.18	7.45	2.19	7.38	2.19	7.24	2.20
	-10	6.67	2.05	6.53	2.06	6.39	2.08	6.32	2.09	6.25	2.09	6.11	2.10
	-15	5.54	1.95	5.40	1.97	5.26	1.99	5.19	1.99	5.12	1.99	4.98	2.00
10 + 10 + 10 + 10	15	11.94	2.51	11.80	2.52	11.67	2.55	11.60	2.56	11.54	2.56	11.40	2.57
	10	10.84	2.41	10.71	2.43	10.58	2.45	10.51	2.46	10.44	2.46	10.31	2.47
	6	9.97	2.33	9.83	2.35	9.70	2.37	9.63	2.38	9.56	2.38	9.43	2.39
	0	8.66	2.22	8.52	2.23	8.39	2.25	8.32	2.26	8.25	2.26	8.12	2.28
	-5	7.56	2.12	7.43	2.13	7.29	2.16	7.23	2.16	7.16	2.16	7.03	2.18
	-10	6.47	2.02	6.33	2.04	6.20	2.06	6.13	2.06	6.06	2.06	5.93	2.08
	-15	5.37	1.93	5.24	1.94	5.10	1.96	5.04	1.97	4.97	1.97	4.83	1.98
13 + 10 + 10 + 10	15	12.18	2.53	12.05	2.54	11.91	2.57	11.84	2.58	11.78	2.58	11.64	2.59
	10	11.07	2.43	10.93	2.45	10.79	2.47	10.72	2.48	10.65	2.48	10.52	2.49
	6	10.17	2.35	10.04	2.37	9.90	2.39	9.83	2.40	9.76	2.40	9.62	2.41
	0	8.83	2.24	8.70	2.25	8.56	2.27	8.49	2.28	8.42	2.28	8.29	2.29
	-5	7.72	2.14	7.58	2.15	7.44	2.17	7.38	2.18	7.31	2.18	7.17	2.19
	-10	6.60	2.04	6.46	2.05	6.33	2.08	6.26	2.08	6.19	2.08	6.05	2.09
	-15	5.48	1.94	5.34	1.96	5.21	1.98	5.14	1.98	5.07	1.98	4.93	1.99
16 + 10 + 10 + 10	15	12.31	2.54	12.17	2.56	12.03	2.58	11.96	2.59	11.89	2.59	11.76	2.60
	10	11.18	2.44	11.04	2.46	10.90	2.48	10.83	2.49	10.76	2.49	10.62	2.50
	6	10.28	2.36	10.14	2.38	10.00	2.40	9.93	2.41	9.86	2.41	9.72	2.42
	0	8.92	2.25	8.79	2.26	8.65	2.28	8.58	2.29	8.51	2.29	8.37	2.30
	-5	7.80	2.15	7.66	2.16	7.52	2.18	7.45	2.19	7.38	2.19	7.24	2.20
	-10	6.67	2.05	6.53	2.06	6.39	2.08	6.32	2.09	6.25	2.09	6.11	2.10
	-15	5.54	1.95	5.40	1.97	5.26	1.99	5.19	1.99	5.12	1.99	4.98	2.00
18 + 10 + 10 + 10	15	12.31	2.54	12.17	2.56	12.03	2.58	11.96	2.59	11.89	2.59	11.76	2.60
	10	11.18	2.44	11.04	2.46	10.90	2.48	10.83	2.49	10.76	2.49	10.62	2.50
	6	10.28	2.36	10.14	2.38	10.00	2.40	9.93	2.41	9.86	2.41	9.72	2.42
	0	8.92	2.25	8.79	2.26	8.65	2.28	8.58	2.29	8.51	2.29	8.37	2.30
	-5	7.80	2.15	7.66	2.16	7.52	2.18	7.45	2.19	7.38	2.19	7.24	2.20
	-10	6.67	2.05	6.53	2.06	6.39	2.08	6.32	2.09	6.25	2.09	6.11	2.10
	-15	5.54	1.95	5.40	1.97	5.26	1.99	5.19	1.99	5.12	1.99	4.98	2.00
22 + 10 + 10 + 10	15	12.31	2.54	12.17	2.56	12.03	2.58	11.96	2.59	11.89	2.59	11.76	2.60
	10	11.18	2.44	11.04	2.46	10.90	2.48	10.83	2.49	10.76	2.49	10.62	2.50
	6	10.28	2.36	10.14	2.38	10.00	2.40	9.93	2.41	9.86	2.41	9.72	2.42
	0	8.92	2.25	8.79	2.26	8.65	2.28	8.58	2.29	8.51	2.29	8.37	2.30
	-5	7.80	2.15	7.66	2.16	7.52	2.18	7.45	2.19	7.38	2.19	7.24	2.20
	-10	6.67	2.05	6.53	2.06	6.39	2.08	6.32	2.09	6.25	2.09	6.11	2.10
	-15	5.54	1.95	5.40	1.97	5.26	1.99	5.19	1.99	5.12	1.99	4.98	2.00
24 + 10 + 10 + 10	15	12.31	2.54	12.17	2.56	12.03	2.58	11.96	2.59	11.89	2.59	11.76	2.60
	10	11.18	2.44	11.04	2.46	10.90	2.48	10.83	2.49	10.76	2.49	10.62	2.50
	6	10.28	2.36	10.14	2.38	10.00	2.40	9.93	2.41	9.86	2.41	9.72	2.42
	0	8.92	2.25	8.79	2.26	8.65	2.28	8.58	2.29	8.51	2.29	8.37	2.30
	-5	7.80	2.15	7.66	2.16	7.52	2.18	7.45	2.19	7.38	2.19	7.24	2.20
	-10	6.67	2.05	6.53	2.06	6.39	2.08	6.32	2.09	6.25	2.09	6.11	2.10
	-15	5.54	1.95	5.40	1.97	5.26	1.99	5.19	1.99	5.12	1.99	4.98	2.00
13 + 13 + 10 + 10	15	12.31	2.54	12.17	2.56	12.03	2.58	11.96	2.59	11.89	2.59	11.76	2.60
	10	11.18	2.44	11.04	2.46	10.90	2.48	10.83	2.49	10.76	2.49	10.62	2.50
	6	10.28	2.36	10.14	2.38	10.00	2.40	9.93	2.41	9.86	2.41	9.72	2.42
	0	8.92	2.25	8.79	2.26	8.65	2.28	8.58	2.29	8.51	2.29	8.37	2.30
	-5	7.80	2.15	7.66	2.16	7.52	2.18	7.45	2.19	7.38	2.19	7.24	2.20
	-10	6.67	2.05	6.53	2.06	6.39	2.08	6.32	2.09	6.25	2.09	6.11	2.10
	-15	5.54	1.95	5.40	1.97	5.26	1.99	5.19	1.99	5.12	1.99	4.98	2.00

Heating

5 - rooms multisplit : 4 - units operation

Indoor units : 16 type + 13 type + 10 type + 10 type
 18 type + 13 type + 10 type + 10 type
 22 type + 13 type + 10 type + 10 type
 24 type + 13 type + 10 type + 10 type

16 type + 16 type + 10 type + 10 type
 18 type + 16 type + 10 type + 10 type
 22 type + 16 type + 10 type + 10 type
 24 type + 16 type + 10 type + 10 type

TC : Total capacity [kW]
 PI : Power input [kW]

Outdoor unit : RAS-5M34U2AVG-E

Combination (Capacity)	Outdoor air temp. [°C WB]	Indoor air temp. [°C DB]											
		16		18		20		21		22		24	
		TC [kW]	PI [kW]	TC [kW]	PI [kW]	TC [kW]	PI [kW]	TC [kW]	PI [kW]	TC [kW]	PI [kW]	TC [kW]	PI [kW]
16 + 13 + 10 + 10	15	12.31	2.54	12.17	2.56	12.03	2.58	11.96	2.59	11.89	2.59	11.76	2.60
	10	11.18	2.44	11.04	2.46	10.90	2.48	10.83	2.49	10.76	2.49	10.62	2.50
	6	10.28	2.36	10.14	2.38	10.00	2.40	9.93	2.41	9.86	2.41	9.72	2.42
	0	8.92	2.25	8.79	2.26	8.65	2.28	8.58	2.29	8.51	2.29	8.37	2.30
	-5	7.80	2.15	7.66	2.16	7.52	2.18	7.45	2.19	7.38	2.19	7.24	2.20
	-10	6.67	2.05	6.53	2.06	6.39	2.08	6.32	2.09	6.25	2.09	6.11	2.10
	-15	5.54	1.95	5.40	1.97	5.26	1.99	5.19	1.99	5.12	1.99	4.98	2.00
18 + 13 + 10 + 10	15	12.31	2.54	12.17	2.56	12.03	2.58	11.96	2.59	11.89	2.59	11.76	2.60
	10	11.18	2.44	11.04	2.46	10.90	2.48	10.83	2.49	10.76	2.49	10.62	2.50
	6	10.28	2.36	10.14	2.38	10.00	2.40	9.93	2.41	9.86	2.41	9.72	2.42
	0	8.92	2.25	8.79	2.26	8.65	2.28	8.58	2.29	8.51	2.29	8.37	2.30
	-5	7.80	2.15	7.66	2.16	7.52	2.18	7.45	2.19	7.38	2.19	7.24	2.20
	-10	6.67	2.05	6.53	2.06	6.39	2.08	6.32	2.09	6.25	2.09	6.11	2.10
	-15	5.54	1.95	5.40	1.97	5.26	1.99	5.19	1.99	5.12	1.99	4.98	2.00
22 + 13 + 10 + 10	15	12.31	2.54	12.17	2.56	12.03	2.58	11.96	2.59	11.89	2.59	11.76	2.60
	10	11.18	2.44	11.04	2.46	10.90	2.48	10.83	2.49	10.76	2.49	10.62	2.50
	6	10.28	2.36	10.14	2.38	10.00	2.40	9.93	2.41	9.86	2.41	9.72	2.42
	0	8.92	2.25	8.79	2.26	8.65	2.28	8.58	2.29	8.51	2.29	8.37	2.30
	-5	7.80	2.15	7.66	2.16	7.52	2.18	7.45	2.19	7.38	2.19	7.24	2.20
	-10	6.67	2.05	6.53	2.06	6.39	2.08	6.32	2.09	6.25	2.09	6.11	2.10
	-15	5.54	1.95	5.40	1.97	5.26	1.99	5.19	1.99	5.12	1.99	4.98	2.00
24 + 13 + 10 + 10	15	12.31	2.54	12.17	2.56	12.03	2.58	11.96	2.59	11.89	2.59	11.76	2.60
	10	11.18	2.44	11.04	2.46	10.90	2.48	10.83	2.49	10.76	2.49	10.62	2.50
	6	10.28	2.36	10.14	2.38	10.00	2.40	9.93	2.41	9.86	2.41	9.72	2.42
	0	8.92	2.25	8.79	2.26	8.65	2.28	8.58	2.29	8.51	2.29	8.37	2.30
	-5	7.80	2.15	7.66	2.16	7.52	2.18	7.45	2.19	7.38	2.19	7.24	2.20
	-10	6.67	2.05	6.53	2.06	6.39	2.08	6.32	2.09	6.25	2.09	6.11	2.10
	-15	5.54	1.95	5.40	1.97	5.26	1.99	5.19	1.99	5.12	1.99	4.98	2.00
16 + 16 + 10 + 10	15	12.31	2.54	12.17	2.56	12.03	2.58	11.96	2.59	11.89	2.59	11.76	2.60
	10	11.18	2.44	11.04	2.46	10.90	2.48	10.83	2.49	10.76	2.49	10.62	2.50
	6	10.28	2.36	10.14	2.38	10.00	2.40	9.93	2.41	9.86	2.41	9.72	2.42
	0	8.92	2.25	8.79	2.26	8.65	2.28	8.58	2.29	8.51	2.29	8.37	2.30
	-5	7.80	2.15	7.66	2.16	7.52	2.18	7.45	2.19	7.38	2.19	7.24	2.20
	-10	6.67	2.05	6.53	2.06	6.39	2.08	6.32	2.09	6.25	2.09	6.11	2.10
	-15	5.54	1.95	5.40	1.97	5.26	1.99	5.19	1.99	5.12	1.99	4.98	2.00
18 + 16 + 10 + 10	15	12.31	2.54	12.17	2.56	12.03	2.58	11.96	2.59	11.89	2.59	11.76	2.60
	10	11.18	2.44	11.04	2.46	10.90	2.48	10.83	2.49	10.76	2.49	10.62	2.50
	6	10.28	2.36	10.14	2.38	10.00	2.40	9.93	2.41	9.86	2.41	9.72	2.42
	0	8.92	2.25	8.79	2.26	8.65	2.28	8.58	2.29	8.51	2.29	8.37	2.30
	-5	7.80	2.15	7.66	2.16	7.52	2.18	7.45	2.19	7.38	2.19	7.24	2.20
	-10	6.67	2.05	6.53	2.06	6.39	2.08	6.32	2.09	6.25	2.09	6.11	2.10
	-15	5.54	1.95	5.40	1.97	5.26	1.99	5.19	1.99	5.12	1.99	4.98	2.00
22 + 16 + 10 + 10	15	12.31	2.54	12.17	2.56	12.03	2.58	11.96	2.59	11.89	2.59	11.76	2.60
	10	11.18	2.44	11.04	2.46	10.90	2.48	10.83	2.49	10.76	2.49	10.62	2.50
	6	10.28	2.36	10.14	2.38	10.00	2.40	9.93	2.41	9.86	2.41	9.72	2.42
	0	8.92	2.25	8.79	2.26	8.65	2.28	8.58	2.29	8.51	2.29	8.37	2.30
	-5	7.80	2.15	7.66	2.16	7.52	2.18	7.45	2.19	7.38	2.19	7.24	2.20
	-10	6.67	2.05	6.53	2.06	6.39	2.08	6.32	2.09	6.25	2.09	6.11	2.10
	-15	5.54	1.95	5.40	1.97	5.26	1.99	5.19	1.99	5.12	1.99	4.98	2.00
24 + 16 + 10 + 10	15	12.31	2.54	12.17	2.56	12.03	2.58	11.96	2.59	11.89	2.59	11.76	2.60
	10	11.18	2.44	11.04	2.46	10.90	2.48	10.83	2.49	10.76	2.49	10.62	2.50
	6	10.28	2.36	10.14	2.38	10.00	2.40	9.93	2.41	9.86	2.41	9.72	2.42
	0	8.92	2.25	8.79	2.26	8.65	2.28	8.58	2.29	8.51	2.29	8.37	2.30
	-5	7.80	2.15	7.66	2.16	7.52	2.18	7.45	2.19	7.38	2.19	7.24	2.20
	-10	6.67	2.05	6.53	2.06	6.39	2.08	6.32	2.09	6.25	2.09	6.11	2.10
	-15	5.54	1.95	5.40	1.97	5.26	1.99	5.19	1.99	5.12	1.99	4.98	2.00

Heating

5 - rooms multisplit : 4 - units operation

Indoor units : 18 type + 18 type + 10 type + 10 type 16 type + 13 type + 13 type + 10 type
 22 type + 18 type + 10 type + 10 type 18 type + 13 type + 13 type + 10 type
 24 type + 18 type + 10 type + 10 type 22 type + 13 type + 13 type + 10 type
 13 type + 13 type + 13 type + 10 type 24 type + 13 type + 13 type + 10 type

TC : Total capacity [kW]

PI : Power input [kW]

Outdoor unit : RAS-5M34U2AVG-E

Combination (Capacity)	Outdoor air temp. [°C WB]	Indoor air temp. [°C DB]											
		16		18		20		21		22		24	
		TC [kW]	PI [kW]	TC [kW]	PI [kW]	TC [kW]	PI [kW]	TC [kW]	PI [kW]	TC [kW]	PI [kW]	TC [kW]	PI [kW]
18 + 18 + 10 + 10	15	12.31	2.54	12.17	2.56	12.03	2.58	11.96	2.59	11.89	2.59	11.76	2.60
	10	11.18	2.44	11.04	2.46	10.90	2.48	10.83	2.49	10.76	2.49	10.62	2.50
	6	10.28	2.36	10.14	2.38	10.00	2.40	9.93	2.41	9.86	2.41	9.72	2.42
	0	8.92	2.25	8.79	2.26	8.65	2.28	8.58	2.29	8.51	2.29	8.37	2.30
	-5	7.80	2.15	7.66	2.16	7.52	2.18	7.45	2.19	7.38	2.19	7.24	2.20
	-10	6.67	2.05	6.53	2.06	6.39	2.08	6.32	2.09	6.25	2.09	6.11	2.10
	-15	5.54	1.95	5.40	1.97	5.26	1.99	5.19	1.99	5.12	1.99	4.98	2.00
22 + 18 + 10 + 10	15	12.31	2.54	12.17	2.56	12.03	2.58	11.96	2.59	11.89	2.59	11.76	2.60
	10	11.18	2.44	11.04	2.46	10.90	2.48	10.83	2.49	10.76	2.49	10.62	2.50
	6	10.28	2.36	10.14	2.38	10.00	2.40	9.93	2.41	9.86	2.41	9.72	2.42
	0	8.92	2.25	8.79	2.26	8.65	2.28	8.58	2.29	8.51	2.29	8.37	2.30
	-5	7.80	2.15	7.66	2.16	7.52	2.18	7.45	2.19	7.38	2.19	7.24	2.20
	-10	6.67	2.05	6.53	2.06	6.39	2.08	6.32	2.09	6.25	2.09	6.11	2.10
	-15	5.54	1.95	5.40	1.97	5.26	1.99	5.19	1.99	5.12	1.99	4.98	2.00
24 + 18 + 10 + 10	15	12.31	2.54	12.17	2.56	12.03	2.58	11.96	2.59	11.89	2.59	11.76	2.60
	10	11.18	2.44	11.04	2.46	10.90	2.48	10.83	2.49	10.76	2.49	10.62	2.50
	6	10.28	2.36	10.14	2.38	10.00	2.40	9.93	2.41	9.86	2.41	9.72	2.42
	0	8.92	2.25	8.79	2.26	8.65	2.28	8.58	2.29	8.51	2.29	8.37	2.30
	-5	7.80	2.15	7.66	2.16	7.52	2.18	7.45	2.19	7.38	2.19	7.24	2.20
	-10	6.67	2.05	6.53	2.06	6.39	2.08	6.32	2.09	6.25	2.09	6.11	2.10
	-15	5.54	1.95	5.40	1.97	5.26	1.99	5.19	1.99	5.12	1.99	4.98	2.00
13 + 13 + 13 + 10	15	12.31	2.54	12.17	2.56	12.03	2.58	11.96	2.59	11.89	2.59	11.76	2.60
	10	11.18	2.44	11.04	2.46	10.90	2.48	10.83	2.49	10.76	2.49	10.62	2.50
	6	10.28	2.36	10.14	2.38	10.00	2.40	9.93	2.41	9.86	2.41	9.72	2.42
	0	8.92	2.25	8.79	2.26	8.65	2.28	8.58	2.29	8.51	2.29	8.37	2.30
	-5	7.80	2.15	7.66	2.16	7.52	2.18	7.45	2.19	7.38	2.19	7.24	2.20
	-10	6.67	2.05	6.53	2.06	6.39	2.08	6.32	2.09	6.25	2.09	6.11	2.10
	-15	5.54	1.95	5.40	1.97	5.26	1.99	5.19	1.99	5.12	1.99	4.98	2.00
16 + 13 + 13 + 10	15	12.31	2.54	12.17	2.56	12.03	2.58	11.96	2.59	11.89	2.59	11.76	2.60
	10	11.18	2.44	11.04	2.46	10.90	2.48	10.83	2.49	10.76	2.49	10.62	2.50
	6	10.28	2.36	10.14	2.38	10.00	2.40	9.93	2.41	9.86	2.41	9.72	2.42
	0	8.92	2.25	8.79	2.26	8.65	2.28	8.58	2.29	8.51	2.29	8.37	2.30
	-5	7.80	2.15	7.66	2.16	7.52	2.18	7.45	2.19	7.38	2.19	7.24	2.20
	-10	6.67	2.05	6.53	2.06	6.39	2.08	6.32	2.09	6.25	2.09	6.11	2.10
	-15	5.54	1.95	5.40	1.97	5.26	1.99	5.19	1.99	5.12	1.99	4.98	2.00
18 + 13 + 13 + 10	15	12.31	2.54	12.17	2.56	12.03	2.58	11.96	2.59	11.89	2.59	11.76	2.60
	10	11.18	2.44	11.04	2.46	10.90	2.48	10.83	2.49	10.76	2.49	10.62	2.50
	6	10.28	2.36	10.14	2.38	10.00	2.40	9.93	2.41	9.86	2.41	9.72	2.42
	0	8.92	2.25	8.79	2.26	8.65	2.28	8.58	2.29	8.51	2.29	8.37	2.30
	-5	7.80	2.15	7.66	2.16	7.52	2.18	7.45	2.19	7.38	2.19	7.24	2.20
	-10	6.67	2.05	6.53	2.06	6.39	2.08	6.32	2.09	6.25	2.09	6.11	2.10
	-15	5.54	1.95	5.40	1.97	5.26	1.99	5.19	1.99	5.12	1.99	4.98	2.00
22 + 13 + 13 + 10	15	12.31	2.54	12.17	2.56	12.03	2.58	11.96	2.59	11.89	2.59	11.76	2.60
	10	11.18	2.44	11.04	2.46	10.90	2.48	10.83	2.49	10.76	2.49	10.62	2.50
	6	10.28	2.36	10.14	2.38	10.00	2.40	9.93	2.41	9.86	2.41	9.72	2.42
	0	8.92	2.25	8.79	2.26	8.65	2.28	8.58	2.29	8.51	2.29	8.37	2.30
	-5	7.80	2.15	7.66	2.16	7.52	2.18	7.45	2.19	7.38	2.19	7.24	2.20
	-10	6.67	2.05	6.53	2.06	6.39	2.08	6.32	2.09	6.25	2.09	6.11	2.10
	-15	5.54	1.95	5.40	1.97	5.26	1.99	5.19	1.99	5.12	1.99	4.98	2.00
24 + 13 + 13 + 10	15	12.31	2.54	12.17	2.56	12.03	2.58	11.96	2.59	11.89	2.59	11.76	2.60
	10	11.18	2.44	11.04	2.46	10.90	2.48	10.83	2.49	10.76	2.49	10.62	2.50
	6	10.28	2.36	10.14	2.38	10.00	2.40	9.93	2.41	9.86	2.41	9.72	2.42
	0	8.92	2.25	8.79	2.26	8.65	2.28	8.58	2.29	8.51	2.29	8.37	2.30
	-5	7.80	2.15	7.66	2.16	7.52	2.18	7.45	2.19	7.38	2.19	7.24	2.20
	-10	6.67	2.05	6.53	2.06	6.39	2.08	6.32	2.09	6.25	2.09	6.11	2.10
	-15	5.54	1.95	5.40	1.97	5.26	1.99	5.19	1.99	5.12	1.99	4.98	2.00

Heating

5 - rooms multisplit : 4- units operation

Indoor units : 16 type + 16type + 13 type + 10 type
 18 type + 16 type + 13 type + 10 type
 22 type + 16 type + 13 type + 10 type
 24 type + 16 type + 13 type + 10 type

18 type + 18 type + 13 type + 10 type
 22 type + 18 type + 13 type + 10 type
 24 type + 18 type + 13 type + 10 type
 13 type + 13 type + 13 type + 13 type

TC : Total capacity [kW]
 PI : Power input [kW]

Outdoor unit : RAS-5M34U2AVG-E

Combination (Capacity)	Outdoor air temp. [°C WB]	Indoor air temp. [°C DB]											
		16		18		20		21		22		24	
		TC [kW]	PI [kW]	TC [kW]	PI [kW]	TC [kW]	PI [kW]	TC [kW]	PI [kW]	TC [kW]	PI [kW]	TC [kW]	PI [kW]
16 + 16 + 13 + 10	15	12.31	2.54	12.17	2.56	12.03	2.58	11.96	2.59	11.89	2.59	11.76	2.60
	10	11.18	2.44	11.04	2.46	10.90	2.48	10.83	2.49	10.76	2.49	10.62	2.50
	6	10.28	2.36	10.14	2.38	10.00	2.40	9.93	2.41	9.86	2.41	9.72	2.42
	0	8.92	2.25	8.79	2.26	8.65	2.28	8.58	2.29	8.51	2.29	8.37	2.30
	-5	7.80	2.15	7.66	2.16	7.52	2.18	7.45	2.19	7.38	2.19	7.24	2.20
	-10	6.67	2.05	6.53	2.06	6.39	2.08	6.32	2.09	6.25	2.09	6.11	2.10
18 + 16 + 13 + 10	15	12.31	2.54	12.17	2.56	12.03	2.58	11.96	2.59	11.89	2.59	11.76	2.60
	10	11.18	2.44	11.04	2.46	10.90	2.48	10.83	2.49	10.76	2.49	10.62	2.50
	6	10.28	2.36	10.14	2.38	10.00	2.40	9.93	2.41	9.86	2.41	9.72	2.42
	0	8.92	2.25	8.79	2.26	8.65	2.28	8.58	2.29	8.51	2.29	8.37	2.30
	-5	7.80	2.15	7.66	2.16	7.52	2.18	7.45	2.19	7.38	2.19	7.24	2.20
	-10	6.67	2.05	6.53	2.06	6.39	2.08	6.32	2.09	6.25	2.09	6.11	2.10
22 + 16 + 13 + 10	15	12.31	2.54	12.17	2.56	12.03	2.58	11.96	2.59	11.89	2.59	11.76	2.60
	10	11.18	2.44	11.04	2.46	10.90	2.48	10.83	2.49	10.76	2.49	10.62	2.50
	6	10.28	2.36	10.14	2.38	10.00	2.40	9.93	2.41	9.86	2.41	9.72	2.42
	0	8.92	2.25	8.79	2.26	8.65	2.28	8.58	2.29	8.51	2.29	8.37	2.30
	-5	7.80	2.15	7.66	2.16	7.52	2.18	7.45	2.19	7.38	2.19	7.24	2.20
	-10	6.67	2.05	6.53	2.06	6.39	2.08	6.32	2.09	6.25	2.09	6.11	2.10
24 + 16 + 13 + 10	15	12.31	2.54	12.17	2.56	12.03	2.58	11.96	2.59	11.89	2.59	11.76	2.60
	10	11.18	2.44	11.04	2.46	10.90	2.48	10.83	2.49	10.76	2.49	10.62	2.50
	6	10.28	2.36	10.14	2.38	10.00	2.40	9.93	2.41	9.86	2.41	9.72	2.42
	0	8.92	2.25	8.79	2.26	8.65	2.28	8.58	2.29	8.51	2.29	8.37	2.30
	-5	7.80	2.15	7.66	2.16	7.52	2.18	7.45	2.19	7.38	2.19	7.24	2.20
	-10	6.67	2.05	6.53	2.06	6.39	2.08	6.32	2.09	6.25	2.09	6.11	2.10
18 + 18 + 13 + 10	15	12.31	2.54	12.17	2.56	12.03	2.58	11.96	2.59	11.89	2.59	11.76	2.60
	10	11.18	2.44	11.04	2.46	10.90	2.48	10.83	2.49	10.76	2.49	10.62	2.50
	6	10.28	2.36	10.14	2.38	10.00	2.40	9.93	2.41	9.86	2.41	9.72	2.42
	0	8.92	2.25	8.79	2.26	8.65	2.28	8.58	2.29	8.51	2.29	8.37	2.30
	-5	7.80	2.15	7.66	2.16	7.52	2.18	7.45	2.19	7.38	2.19	7.24	2.20
	-10	6.67	2.05	6.53	2.06	6.39	2.08	6.32	2.09	6.25	2.09	6.11	2.10
22 + 18 + 13 + 10	15	12.31	2.54	12.17	2.56	12.03	2.58	11.96	2.59	11.89	2.59	11.76	2.60
	10	11.18	2.44	11.04	2.46	10.90	2.48	10.83	2.49	10.76	2.49	10.62	2.50
	6	10.28	2.36	10.14	2.38	10.00	2.40	9.93	2.41	9.86	2.41	9.72	2.42
	0	8.92	2.25	8.79	2.26	8.65	2.28	8.58	2.29	8.51	2.29	8.37	2.30
	-5	7.80	2.15	7.66	2.16	7.52	2.18	7.45	2.19	7.38	2.19	7.24	2.20
	-10	6.67	2.05	6.53	2.06	6.39	2.08	6.32	2.09	6.25	2.09	6.11	2.10
24 + 18 + 13 + 10	15	12.31	2.54	12.17	2.56	12.03	2.58	11.96	2.59	11.89	2.59	11.76	2.60
	10	11.18	2.44	11.04	2.46	10.90	2.48	10.83	2.49	10.76	2.49	10.62	2.50
	6	10.28	2.36	10.14	2.38	10.00	2.40	9.93	2.41	9.86	2.41	9.72	2.42
	0	8.92	2.25	8.79	2.26	8.65	2.28	8.58	2.29	8.51	2.29	8.37	2.30
	-5	7.80	2.15	7.66	2.16	7.52	2.18	7.45	2.19	7.38	2.19	7.24	2.20
	-10	6.67	2.05	6.53	2.06	6.39	2.08	6.32	2.09	6.25	2.09	6.11	2.10
13 + 13 + 13 + 13	15	12.31	2.54	12.17	2.56	12.03	2.58	11.96	2.59	11.89	2.59	11.76	2.60
	10	11.18	2.44	11.04	2.46	10.90	2.48	10.83	2.49	10.76	2.49	10.62	2.50
	6	10.28	2.36	10.14	2.38	10.00	2.40	9.93	2.41	9.86	2.41	9.72	2.42
	0	8.92	2.25	8.79	2.26	8.65	2.28	8.58	2.29	8.51	2.29	8.37	2.30
	-5	7.80	2.15	7.66	2.16	7.52	2.18	7.45	2.19	7.38	2.19	7.24	2.20
	-10	6.67	2.05	6.53	2.06	6.39	2.08	6.32	2.09	6.25	2.09	6.11	2.10
13 + 13 + 13 + 13	15	12.31	2.54	12.17	2.56	12.03	2.58	11.96	2.59	11.89	2.59	11.76	2.60
	10	11.18	2.44	11.04	2.46	10.90	2.48	10.83	2.49	10.76	2.49	10.62	2.50
	6	10.28	2.36	10.14	2.38	10.00	2.40	9.93	2.41	9.86	2.41	9.72	2.42
	0	8.92	2.25	8.79	2.26	8.65	2.28	8.58	2.29	8.51	2.29	8.37	2.30
	-5	7.80	2.15	7.66	2.16	7.52	2.18	7.45	2.19	7.38	2.19	7.24	2.20
	-10	6.67	2.05	6.53	2.06	6.39	2.08	6.32	2.09	6.25	2.09	6.11	2.10

Heating

5 - rooms multisplit : 4 - units operation

Indoor units : 16 type + 13 type + 13 type + 13 type
 18 type + 13 type + 13 type + 13 type
 22 type + 13 type + 13 type + 13 type
 24 type + 13 type + 13 type + 13 type

16 type + 16 type + 13 type + 13 type
 18 type + 16 type + 13 type + 13 type
 22 type + 16 type + 13 type + 13 type
 24 type + 16 type + 13 type + 13 type

TC : Total capacity [kW]
 PI : Power input [kW]

Outdoor unit : RAS-5M34U2AVG-E

Combination (Capacity)	Outdoor air temp. [°C WB]	Indoor air temp. [°C DB]											
		16		18		20		21		22		24	
		TC [kW]	PI [kW]	TC [kW]	PI [kW]	TC [kW]	PI [kW]	TC [kW]	PI [kW]	TC [kW]	PI [kW]	TC [kW]	PI [kW]
16 + 13 + 13 + 13	15	12.31	2.54	12.17	2.56	12.03	2.58	11.96	2.59	11.89	2.59	11.76	2.60
	10	11.18	2.44	11.04	2.46	10.90	2.48	10.83	2.49	10.76	2.49	10.62	2.50
	6	10.28	2.36	10.14	2.38	10.00	2.40	9.93	2.41	9.86	2.41	9.72	2.42
	0	8.92	2.25	8.79	2.26	8.65	2.28	8.58	2.29	8.51	2.29	8.37	2.30
	-5	7.80	2.15	7.66	2.16	7.52	2.18	7.45	2.19	7.38	2.19	7.24	2.20
	-10	6.67	2.05	6.53	2.06	6.39	2.08	6.32	2.09	6.25	2.09	6.11	2.10
	-15	5.54	1.95	5.40	1.97	5.26	1.99	5.19	1.99	5.12	1.99	4.98	2.00
18 + 13 + 13 + 13	15	12.31	2.54	12.17	2.56	12.03	2.58	11.96	2.59	11.89	2.59	11.76	2.60
	10	11.18	2.44	11.04	2.46	10.90	2.48	10.83	2.49	10.76	2.49	10.62	2.50
	6	10.28	2.36	10.14	2.38	10.00	2.40	9.93	2.41	9.86	2.41	9.72	2.42
	0	8.92	2.25	8.79	2.26	8.65	2.28	8.58	2.29	8.51	2.29	8.37	2.30
	-5	7.80	2.15	7.66	2.16	7.52	2.18	7.45	2.19	7.38	2.19	7.24	2.20
	-10	6.67	2.05	6.53	2.06	6.39	2.08	6.32	2.09	6.25	2.09	6.11	2.10
	-15	5.54	1.95	5.40	1.97	5.26	1.99	5.19	1.99	5.12	1.99	4.98	2.00
22 + 13 + 13 + 13	15	12.31	2.54	12.17	2.56	12.03	2.58	11.96	2.59	11.89	2.59	11.76	2.60
	10	11.18	2.44	11.04	2.46	10.90	2.48	10.83	2.49	10.76	2.49	10.62	2.50
	6	10.28	2.36	10.14	2.38	10.00	2.40	9.93	2.41	9.86	2.41	9.72	2.42
	0	8.92	2.25	8.79	2.26	8.65	2.28	8.58	2.29	8.51	2.29	8.37	2.30
	-5	7.80	2.15	7.66	2.16	7.52	2.18	7.45	2.19	7.38	2.19	7.24	2.20
	-10	6.67	2.05	6.53	2.06	6.39	2.08	6.32	2.09	6.25	2.09	6.11	2.10
	-15	5.54	1.95	5.40	1.97	5.26	1.99	5.19	1.99	5.12	1.99	4.98	2.00
24 + 13 + 13 + 13	15	12.31	2.54	12.17	2.56	12.03	2.58	11.96	2.59	11.89	2.59	11.76	2.60
	10	11.18	2.44	11.04	2.46	10.90	2.48	10.83	2.49	10.76	2.49	10.62	2.50
	6	10.28	2.36	10.14	2.38	10.00	2.40	9.93	2.41	9.86	2.41	9.72	2.42
	0	8.92	2.25	8.79	2.26	8.65	2.28	8.58	2.29	8.51	2.29	8.37	2.30
	-5	7.80	2.15	7.66	2.16	7.52	2.18	7.45	2.19	7.38	2.19	7.24	2.20
	-10	6.67	2.05	6.53	2.06	6.39	2.08	6.32	2.09	6.25	2.09	6.11	2.10
	-15	5.54	1.95	5.40	1.97	5.26	1.99	5.19	1.99	5.12	1.99	4.98	2.00
16 + 16 + 13 + 13	15	12.31	2.54	12.17	2.56	12.03	2.58	11.96	2.59	11.89	2.59	11.76	2.60
	10	11.18	2.44	11.04	2.46	10.90	2.48	10.83	2.49	10.76	2.49	10.62	2.50
	6	10.28	2.36	10.14	2.38	10.00	2.40	9.93	2.41	9.86	2.41	9.72	2.42
	0	8.92	2.25	8.79	2.26	8.65	2.28	8.58	2.29	8.51	2.29	8.37	2.30
	-5	7.80	2.15	7.66	2.16	7.52	2.18	7.45	2.19	7.38	2.19	7.24	2.20
	-10	6.67	2.05	6.53	2.06	6.39	2.08	6.32	2.09	6.25	2.09	6.11	2.10
	-15	5.54	1.95	5.40	1.97	5.26	1.99	5.19	1.99	5.12	1.99	4.98	2.00
18 + 16 + 13 + 13	15	12.31	2.54	12.17	2.56	12.03	2.58	11.96	2.59	11.89	2.59	11.76	2.60
	10	11.18	2.44	11.04	2.46	10.90	2.48	10.83	2.49	10.76	2.49	10.62	2.50
	6	10.28	2.36	10.14	2.38	10.00	2.40	9.93	2.41	9.86	2.41	9.72	2.42
	0	8.92	2.25	8.79	2.26	8.65	2.28	8.58	2.29	8.51	2.29	8.37	2.30
	-5	7.80	2.15	7.66	2.16	7.52	2.18	7.45	2.19	7.38	2.19	7.24	2.20
	-10	6.67	2.05	6.53	2.06	6.39	2.08	6.32	2.09	6.25	2.09	6.11	2.10
	-15	5.54	1.95	5.40	1.97	5.26	1.99	5.19	1.99	5.12	1.99	4.98	2.00
22 + 16 + 13 + 13	15	12.31	2.54	12.17	2.56	12.03	2.58	11.96	2.59	11.89	2.59	11.76	2.60
	10	11.18	2.44	11.04	2.46	10.90	2.48	10.83	2.49	10.76	2.49	10.62	2.50
	6	10.28	2.36	10.14	2.38	10.00	2.40	9.93	2.41	9.86	2.41	9.72	2.42
	0	8.92	2.25	8.79	2.26	8.65	2.28	8.58	2.29	8.51	2.29	8.37	2.30
	-5	7.80	2.15	7.66	2.16	7.52	2.18	7.45	2.19	7.38	2.19	7.24	2.20
	-10	6.67	2.05	6.53	2.06	6.39	2.08	6.32	2.09	6.25	2.09	6.11	2.10
	-15	5.54	1.95	5.40	1.97	5.26	1.99	5.19	1.99	5.12	1.99	4.98	2.00
24 + 16 + 13 + 13	15	12.31	2.54	12.17	2.56	12.03	2.58	11.96	2.59	11.89	2.59	11.76	2.60
	10	11.18	2.44	11.04	2.46	10.90	2.48	10.83	2.49	10.76	2.49	10.62	2.50
	6	10.28	2.36	10.14	2.38	10.00	2.40	9.93	2.41	9.86	2.41	9.72	2.42
	0	8.92	2.25	8.79	2.26	8.65	2.28	8.58	2.29	8.51	2.29	8.37	2.30
	-5	7.80	2.15	7.66	2.16	7.52	2.18	7.45	2.19	7.38	2.19	7.24	2.20
	-10	6.67	2.05	6.53	2.06	6.39	2.08	6.32	2.09	6.25	2.09	6.11	2.10
	-15	5.54	1.95	5.40	1.97	5.26	1.99	5.19	1.99	5.12	1.99	4.98	2.00

Heating

5 - rooms multisplit : 4 - units operation

Indoor units : 18 type + 18 type + 13 type + 13 type
 22 type + 18 type + 13 type + 13 type
 24 type + 18 type + 13 type + 13 type

TC : Total capacity [kW]

PI : Power input [kW]

Outdoor unit : RAS-5M34U2AVG-E

Combination (Capacity)	Outdoor air temp. [°C WB]	Indoor air temp. [°C DB]											
		16		18		20		21		22		24	
		TC [kW]	PI [kW]	TC [kW]	PI [kW]	TC [kW]	PI [kW]	TC [kW]	PI [kW]	TC [kW]	PI [kW]	TC [kW]	PI [kW]
18 + 18 + 13 + 13	15	12.31	2.54	12.17	2.56	12.03	2.58	11.96	2.59	11.89	2.59	11.76	2.60
	10	11.18	2.44	11.04	2.46	10.90	2.48	10.83	2.49	10.76	2.49	10.62	2.50
	6	10.28	2.36	10.14	2.38	10.00	2.40	9.93	2.41	9.86	2.41	9.72	2.42
	0	8.92	2.25	8.79	2.26	8.65	2.28	8.58	2.29	8.51	2.29	8.37	2.30
	-5	7.80	2.15	7.66	2.16	7.52	2.18	7.45	2.19	7.38	2.19	7.24	2.20
	-10	6.67	2.05	6.53	2.06	6.39	2.08	6.32	2.09	6.25	2.09	6.11	2.10
	-15	5.54	1.95	5.40	1.97	5.26	1.99	5.19	1.99	5.12	1.99	4.98	2.00
22 + 18 + 13 + 13	15	12.31	2.54	12.17	2.56	12.03	2.58	11.96	2.59	11.89	2.59	11.76	2.60
	10	11.18	2.44	11.04	2.46	10.90	2.48	10.83	2.49	10.76	2.49	10.62	2.50
	6	10.28	2.36	10.14	2.38	10.00	2.40	9.93	2.41	9.86	2.41	9.72	2.42
	0	8.92	2.25	8.79	2.26	8.65	2.28	8.58	2.29	8.51	2.29	8.37	2.30
	-5	7.80	2.15	7.66	2.16	7.52	2.18	7.45	2.19	7.38	2.19	7.24	2.20
	-10	6.67	2.05	6.53	2.06	6.39	2.08	6.32	2.09	6.25	2.09	6.11	2.10
	-15	5.54	1.95	5.40	1.97	5.26	1.99	5.19	1.99	5.12	1.99	4.98	2.00
24 + 18 + 13 + 13	15	12.31	2.54	12.17	2.56	12.03	2.58	11.96	2.59	11.89	2.59	11.76	2.60
	10	11.18	2.44	11.04	2.46	10.90	2.48	10.83	2.49	10.76	2.49	10.62	2.50
	6	10.28	2.36	10.14	2.38	10.00	2.40	9.93	2.41	9.86	2.41	9.72	2.42
	0	8.92	2.25	8.79	2.26	8.65	2.28	8.58	2.29	8.51	2.29	8.37	2.30
	-5	7.80	2.15	7.66	2.16	7.52	2.18	7.45	2.19	7.38	2.19	7.24	2.20
	-10	6.67	2.05	6.53	2.06	6.39	2.08	6.32	2.09	6.25	2.09	6.11	2.10
	-15	5.54	1.95	5.40	1.97	5.26	1.99	5.19	1.99	5.12	1.99	4.98	2.00

Heating

5 - rooms multisplit : 5 - units operation

Indoor units : 05 type + 05 type + 05 type + 05 type + 05 type
 07 type + 05 type + 05 type + 05 type + 05 type
 10 type + 05 type + 05 type + 05 type + 05 type
 13 type + 05 type + 05 type + 05 type + 05 type

16 type + 05 type + 05 type + 05 type + 05 type
 18 type + 07 type + 05 type + 05 type + 05 type
 07 type + 07 type + 05 type + 05 type + 05 type
 10 type + 07 type + 05 type + 05 type + 05 type

TC : Total capacity [kW]
 PI : Power input [kW]

Outdoor unit : RAS-5M34U2AVG-E

Combination (Capacity)	Outdoor air temp. [°C WB]	Indoor air temp. [°C DB]											
		16		18		20		21		22		24	
		TC [kW]	PI [kW]	TC [kW]	PI [kW]	TC [kW]	PI [kW]	TC [kW]	PI [kW]	TC [kW]	PI [kW]	TC [kW]	PI [kW]
05 + 05 + 05 + 05 + 05	15	12.31	2.49	12.17	2.50	12.03	2.53	11.96	2.53	11.89	2.53	11.76	2.55
	10	11.18	2.39	11.04	2.41	10.90	2.43	10.83	2.44	10.76	2.44	10.62	2.45
	6	10.28	2.31	10.14	2.33	10.00	2.35	9.93	2.36	9.86	2.36	9.72	2.37
	0	8.92	2.20	8.79	2.21	8.65	2.24	8.58	2.24	8.51	2.24	8.37	2.26
	-5	7.80	2.10	7.66	2.12	7.52	2.14	7.45	2.14	7.38	2.14	7.24	2.16
	-10	6.67	2.01	6.53	2.02	6.39	2.04	6.32	2.05	6.25	2.05	6.11	2.06
	-15	5.54	1.91	5.40	1.92	5.26	1.94	5.19	1.95	5.12	1.95	4.98	1.96
07 + 05 + 05 + 05 + 05	15	13.17	2.67	13.02	2.68	12.87	2.71	12.80	2.72	12.73	2.72	12.58	2.73
	10	11.96	2.56	11.81	2.58	11.67	2.61	11.59	2.61	11.52	2.61	11.37	2.63
	6	10.99	2.48	10.85	2.49	10.70	2.52	10.62	2.53	10.55	2.53	10.40	2.54
	0	9.55	2.36	9.40	2.37	9.25	2.40	9.18	2.40	9.11	2.40	8.96	2.42
	-5	8.34	2.26	8.19	2.27	8.04	2.29	7.97	2.30	7.90	2.30	7.75	2.31
	-10	7.13	2.15	6.98	2.17	6.84	2.19	6.76	2.19	6.69	2.19	6.54	2.21
	-15	5.92	2.05	5.78	2.06	5.63	2.08	5.55	2.09	5.48	2.09	5.33	2.10
10 + 05 + 05 + 05 + 05	15	14.15	2.90	14.00	2.92	13.84	2.95	13.76	2.95	13.68	2.95	13.52	2.97
	10	12.85	2.79	12.70	2.80	12.54	2.83	12.46	2.84	12.38	2.84	12.22	2.86
	6	11.82	2.70	11.66	2.71	11.50	2.74	11.42	2.75	11.34	2.75	11.18	2.77
	0	10.26	2.56	10.10	2.58	9.94	2.61	9.87	2.61	9.79	2.61	9.63	2.63
	-5	8.96	2.45	8.81	2.47	8.65	2.49	8.57	2.50	8.49	2.50	8.33	2.52
	-10	7.66	2.34	7.51	2.36	7.35	2.38	7.27	2.39	7.19	2.39	7.03	2.40
	-15	6.37	2.23	6.21	2.24	6.05	2.27	5.97	2.27	5.89	2.27	5.73	2.29
13 + 05 + 05 + 05 + 05	15	14.15	2.90	14.00	2.92	13.84	2.95	13.76	2.95	13.68	2.95	13.52	2.97
	10	12.85	2.79	12.70	2.80	12.54	2.83	12.46	2.84	12.38	2.84	12.22	2.86
	6	11.82	2.70	11.66	2.71	11.50	2.74	11.42	2.75	11.34	2.75	11.18	2.77
	0	10.26	2.56	10.10	2.58	9.94	2.61	9.87	2.61	9.79	2.61	9.63	2.63
	-5	8.96	2.45	8.81	2.47	8.65	2.49	8.57	2.50	8.49	2.50	8.33	2.52
	-10	7.66	2.34	7.51	2.36	7.35	2.38	7.27	2.39	7.19	2.39	7.03	2.40
	-15	6.37	2.23	6.21	2.24	6.05	2.27	5.97	2.27	5.89	2.27	5.73	2.29
16 + 05 + 05 + 05 + 05	15	14.40	2.92	14.24	2.94	14.08	2.97	14.00	2.98	13.92	2.98	13.76	3.00
	10	13.08	2.81	12.92	2.83	12.76	2.86	12.67	2.86	12.59	2.86	12.43	2.88
	6	12.02	2.72	11.86	2.73	11.70	2.76	11.62	2.77	11.54	2.77	11.37	2.79
	0	10.44	2.58	10.28	2.60	10.12	2.63	10.04	2.63	9.96	2.63	9.80	2.65
	-5	9.12	2.47	8.96	2.49	8.80	2.51	8.72	2.52	8.64	2.52	8.48	2.54
	-10	7.80	2.36	7.64	2.37	7.48	2.40	7.39	2.41	7.31	2.41	7.15	2.42
	-15	6.48	2.25	6.32	2.26	6.16	2.28	6.07	2.29	5.99	2.29	5.83	2.31
18 + 05 + 05 + 05 + 05	15	14.40	2.92	14.24	2.94	14.08	2.97	14.00	2.98	13.92	2.98	13.76	3.00
	10	13.08	2.81	12.92	2.83	12.76	2.86	12.67	2.86	12.59	2.86	12.43	2.88
	6	12.02	2.72	11.86	2.73	11.70	2.76	11.62	2.77	11.54	2.77	11.37	2.79
	0	10.44	2.58	10.28	2.60	10.12	2.63	10.04	2.63	9.96	2.63	9.80	2.65
	-5	9.12	2.47	8.96	2.49	8.80	2.51	8.72	2.52	8.64	2.52	8.48	2.54
	-10	7.80	2.36	7.64	2.37	7.48	2.40	7.39	2.41	7.31	2.41	7.15	2.42
	-15	6.48	2.25	6.32	2.26	6.16	2.28	6.07	2.29	5.99	2.29	5.83	2.31
07 + 07 + 05 + 05 + 05	15	14.03	2.85	13.87	2.86	13.72	2.89	13.64	2.90	13.56	2.90	13.40	2.92
	10	12.74	2.74	12.58	2.75	12.43	2.78	12.35	2.79	12.27	2.79	12.11	2.81
	6	11.71	2.65	11.56	2.66	11.40	2.69	11.32	2.70	11.24	2.70	11.08	2.71
	0	10.17	2.52	10.02	2.53	9.86	2.56	9.78	2.57	9.70	2.57	9.54	2.58
	-5	8.89	2.41	8.73	2.42	8.57	2.45	8.49	2.45	8.42	2.45	8.26	2.47
	-10	7.60	2.30	7.44	2.31	7.28	2.34	7.20	2.34	7.12	2.34	6.97	2.36
	-15	6.31	2.19	6.15	2.20	6.00	2.22	5.92	2.23	5.84	2.23	5.68	2.25
10 + 07 + 05 + 05 + 05	15	14.15	2.90	14.00	2.92	13.84	2.95	13.76	2.95	13.68	2.95	13.52	2.97
	10	12.85	2.79	12.70	2.80	12.54	2.83	12.46	2.84	12.38	2.84	12.22	2.86
	6	11.82	2.70	11.66	2.71	11.50	2.74	11.42	2.75	11.34	2.75	11.18	2.77
	0	10.26	2.56	10.10	2.58	9.94	2.61	9.87	2.61	9.79	2.61	9.63	2.63
	-5	8.96	2.45	8.81	2.47	8.65	2.49	8.57	2.50	8.49	2.50	8.33	2.52
	-10	7.66	2.34	7.51	2.36	7.35	2.38	7.27	2.39	7.19	2.39	7.03	2.40
	-15	6.37	2.23	6.21	2.24	6.05	2.27	5.97	2.27	5.89	2.27	5.73	2.29

Heating

5 - rooms multisplit : 5 - units operation

Indoor units : 13 type + 07 type + 05 type + 05 type + 05 type
 16 type + 07 type + 05 type + 05 type + 05 type
 18 type + 07 type + 05 type + 05 type + 05 type
 10 type + 10 type + 05 type + 05 type + 05 type

13 type + 10 type + 05 type + 05 type + 05 type
 16 type + 10 type + 05 type + 05 type + 05 type
 18 type + 10 type + 05 type + 05 type + 05 type
 13 type + 13 type + 05 type + 05 type + 05 type

TC : Total capacity [kW]
 PI : Power input [kW]

Outdoor unit : RAS-5M34U2AVG-E

Combination (Capacity)	Outdoor air temp. [°C WB]	Indoor air temp. [°C DB]											
		16		18		20		21		22		24	
		TC [kW]	PI [kW]	TC [kW]	PI [kW]	TC [kW]	PI [kW]	TC [kW]	PI [kW]	TC [kW]	PI [kW]	TC [kW]	PI [kW]
13 + 07 + 05 + 05 + 05	15	14.15	2.90	14.00	2.92	13.84	2.95	13.76	2.95	13.68	2.95	13.52	2.97
	10	12.85	2.79	12.70	2.80	12.54	2.83	12.46	2.84	12.38	2.84	12.22	2.86
	6	11.82	2.70	11.66	2.71	11.50	2.74	11.42	2.75	11.34	2.75	11.18	2.77
	0	10.26	2.56	10.10	2.58	9.94	2.61	9.87	2.61	9.79	2.61	9.63	2.63
	-5	8.96	2.45	8.81	2.47	8.65	2.49	8.57	2.50	8.49	2.50	8.33	2.52
	-10	7.66	2.34	7.51	2.36	7.35	2.38	7.27	2.39	7.19	2.39	7.03	2.40
	-15	6.37	2.23	6.21	2.24	6.05	2.27	5.97	2.27	5.89	2.27	5.73	2.29
16 + 07 + 05 + 05 + 05	15	14.40	2.92	14.24	2.94	14.08	2.97	14.00	2.98	13.92	2.98	13.76	3.00
	10	13.08	2.81	12.92	2.83	12.76	2.86	12.67	2.86	12.59	2.86	12.43	2.88
	6	12.02	2.72	11.86	2.73	11.70	2.76	11.62	2.77	11.54	2.77	11.37	2.79
	0	10.44	2.58	10.28	2.60	10.12	2.63	10.04	2.63	9.96	2.63	9.80	2.65
	-5	9.12	2.47	8.96	2.49	8.80	2.51	8.72	2.52	8.64	2.52	8.48	2.54
	-10	7.80	2.36	7.64	2.37	7.48	2.40	7.39	2.41	7.31	2.41	7.15	2.42
	-15	6.48	2.25	6.32	2.26	6.16	2.28	6.07	2.29	5.99	2.29	5.83	2.31
18 + 07 + 05 + 05 + 05	15	14.40	2.92	14.24	2.94	14.08	2.97	14.00	2.98	13.92	2.98	13.76	3.00
	10	13.08	2.81	12.92	2.83	12.76	2.86	12.67	2.86	12.59	2.86	12.43	2.88
	6	12.02	2.72	11.86	2.73	11.70	2.76	11.62	2.77	11.54	2.77	11.37	2.79
	0	10.44	2.58	10.28	2.60	10.12	2.63	10.04	2.63	9.96	2.63	9.80	2.65
	-5	9.12	2.47	8.96	2.49	8.80	2.51	8.72	2.52	8.64	2.52	8.48	2.54
	-10	7.80	2.36	7.64	2.37	7.48	2.40	7.39	2.41	7.31	2.41	7.15	2.42
	-15	6.48	2.25	6.32	2.26	6.16	2.28	6.07	2.29	5.99	2.29	5.83	2.31
10 + 10 + 05 + 05 + 05	15	14.40	2.92	14.24	2.94	14.08	2.97	14.00	2.98	13.92	2.98	13.76	3.00
	10	13.08	2.81	12.92	2.83	12.76	2.86	12.67	2.86	12.59	2.86	12.43	2.88
	6	12.02	2.72	11.86	2.73	11.70	2.76	11.62	2.77	11.54	2.77	11.37	2.79
	0	10.44	2.58	10.28	2.60	10.12	2.63	10.04	2.63	9.96	2.63	9.80	2.65
	-5	9.12	2.47	8.96	2.49	8.80	2.51	8.72	2.52	8.64	2.52	8.48	2.54
	-10	7.80	2.36	7.64	2.37	7.48	2.40	7.39	2.41	7.31	2.41	7.15	2.42
	-15	6.48	2.25	6.32	2.26	6.16	2.28	6.07	2.29	5.99	2.29	5.83	2.31
13 + 10 + 05 + 05 + 05	15	14.40	2.92	14.24	2.94	14.08	2.97	14.00	2.98	13.92	2.98	13.76	3.00
	10	13.08	2.81	12.92	2.83	12.76	2.86	12.67	2.86	12.59	2.86	12.43	2.88
	6	12.02	2.72	11.86	2.73	11.70	2.76	11.62	2.77	11.54	2.77	11.37	2.79
	0	10.44	2.58	10.28	2.60	10.12	2.63	10.04	2.63	9.96	2.63	9.80	2.65
	-5	9.12	2.47	8.96	2.49	8.80	2.51	8.72	2.52	8.64	2.52	8.48	2.54
	-10	7.80	2.36	7.64	2.37	7.48	2.40	7.39	2.41	7.31	2.41	7.15	2.42
	-15	6.48	2.25	6.32	2.26	6.16	2.28	6.07	2.29	5.99	2.29	5.83	2.31
16 + 10 + 05 + 05 + 05	15	14.40	2.92	14.24	2.94	14.08	2.97	14.00	2.98	13.92	2.98	13.76	3.00
	10	13.08	2.81	12.92	2.83	12.76	2.86	12.67	2.86	12.59	2.86	12.43	2.88
	6	12.02	2.72	11.86	2.73	11.70	2.76	11.62	2.77	11.54	2.77	11.37	2.79
	0	10.44	2.58	10.28	2.60	10.12	2.63	10.04	2.63	9.96	2.63	9.80	2.65
	-5	9.12	2.47	8.96	2.49	8.80	2.51	8.72	2.52	8.64	2.52	8.48	2.54
	-10	7.80	2.36	7.64	2.37	7.48	2.40	7.39	2.41	7.31	2.41	7.15	2.42
	-15	6.48	2.25	6.32	2.26	6.16	2.28	6.07	2.29	5.99	2.29	5.83	2.31
18 + 10 + 05 + 05 + 05	15	14.40	2.92	14.24	2.94	14.08	2.97	14.00	2.98	13.92	2.98	13.76	3.00
	10	13.08	2.81	12.92	2.83	12.76	2.86	12.67	2.86	12.59	2.86	12.43	2.88
	6	12.02	2.72	11.86	2.73	11.70	2.76	11.62	2.77	11.54	2.77	11.37	2.79
	0	10.44	2.58	10.28	2.60	10.12	2.63	10.04	2.63	9.96	2.63	9.80	2.65
	-5	9.12	2.47	8.96	2.49	8.80	2.51	8.72	2.52	8.64	2.52	8.48	2.54
	-10	7.80	2.36	7.64	2.37	7.48	2.40	7.39	2.41	7.31	2.41	7.15	2.42
	-15	6.48	2.25	6.32	2.26	6.16	2.28	6.07	2.29	5.99	2.29	5.83	2.31
13 + 13 + 05 + 05 + 05	15	14.40	2.92	14.24	2.94	14.08	2.97	14.00	2.98	13.92	2.98	13.76	3.00
	10	13.08	2.81	12.92	2.83	12.76	2.86	12.67	2.86	12.59	2.86	12.43	2.88
	6	12.02	2.72	11.86	2.73	11.70	2.76	11.62	2.77	11.54	2.77	11.37	2.79
	0	10.44	2.58	10.28	2.60	10.12	2.63	10.04	2.63	9.96	2.63	9.80	2.65
	-5	9.12	2.47	8.96	2.49	8.80	2.51	8.72	2.52	8.64	2.52	8.48	2.54
	-10	7.80	2.36	7.64	2.37	7.48	2.40	7.39	2.41	7.31	2.41	7.15	2.42
	-15	6.48	2.25	6.32	2.26	6.16	2.28	6.07	2.29	5.99	2.29	5.83	2.31

Heating

5 - rooms multisplit : 5 - units operation

Indoor units : 16 type + 13 type + 05 type + 05 type + 05 type
 18 type + 13 type + 05 type + 05 type + 05 type
 16 type + 16 type + 05 type + 05 type + 05 type
 18 type + 16 type + 05 type + 05 type + 05 type

18 type + 18 type + 05 type + 05 type + 05 type
 07 type + 07 type + 07 type + 05 type + 05 type
 10 type + 07 type + 07 type + 05 type + 05 type
 13 type + 07 type + 07 type + 05 type + 05 type

TC : Total capacity [kW]
 PI : Power input [kW]

Outdoor unit : RAS-5M34U2AVG-E

Combination (Capacity)	Outdoor air temp. [°C WB]	Indoor air temp. [°C DB]											
		16		18		20		21		22		24	
		TC [kW]	PI [kW]	TC [kW]	PI [kW]	TC [kW]	PI [kW]	TC [kW]	PI [kW]	TC [kW]	PI [kW]	TC [kW]	PI [kW]
16 + 13 + 05 + 05 + 05	15	14.40	2.92	14.24	2.94	14.08	2.97	14.00	2.98	13.92	2.98	13.76	3.00
	10	13.08	2.81	12.92	2.83	12.76	2.86	12.67	2.86	12.59	2.86	12.43	2.88
	6	12.02	2.72	11.86	2.73	11.70	2.76	11.62	2.77	11.54	2.77	11.37	2.79
	0	10.44	2.58	10.28	2.60	10.12	2.63	10.04	2.63	9.96	2.63	9.80	2.65
	-5	9.12	2.47	8.96	2.49	8.80	2.51	8.72	2.52	8.64	2.52	8.48	2.54
	-10	7.80	2.36	7.64	2.37	7.48	2.40	7.39	2.41	7.31	2.41	7.15	2.42
	-15	6.48	2.25	6.32	2.26	6.16	2.28	6.07	2.29	5.99	2.29	5.83	2.31
18 + 13 + 05 + 05 + 05	15	14.40	2.92	14.24	2.94	14.08	2.97	14.00	2.98	13.92	2.98	13.76	3.00
	10	13.08	2.81	12.92	2.83	12.76	2.86	12.67	2.86	12.59	2.86	12.43	2.88
	6	12.02	2.72	11.86	2.73	11.70	2.76	11.62	2.77	11.54	2.77	11.37	2.79
	0	10.44	2.58	10.28	2.60	10.12	2.63	10.04	2.63	9.96	2.63	9.80	2.65
	-5	9.12	2.47	8.96	2.49	8.80	2.51	8.72	2.52	8.64	2.52	8.48	2.54
	-10	7.80	2.36	7.64	2.37	7.48	2.40	7.39	2.41	7.31	2.41	7.15	2.42
	-15	6.48	2.25	6.32	2.26	6.16	2.28	6.07	2.29	5.99	2.29	5.83	2.31
16 + 16 + 05 + 05 + 05	15	14.40	2.92	14.24	2.94	14.08	2.97	14.00	2.98	13.92	2.98	13.76	3.00
	10	13.08	2.81	12.92	2.83	12.76	2.86	12.67	2.86	12.59	2.86	12.43	2.88
	6	12.02	2.72	11.86	2.73	11.70	2.76	11.62	2.77	11.54	2.77	11.37	2.79
	0	10.44	2.58	10.28	2.60	10.12	2.63	10.04	2.63	9.96	2.63	9.80	2.65
	-5	9.12	2.47	8.96	2.49	8.80	2.51	8.72	2.52	8.64	2.52	8.48	2.54
	-10	7.80	2.36	7.64	2.37	7.48	2.40	7.39	2.41	7.31	2.41	7.15	2.42
	-15	6.48	2.25	6.32	2.26	6.16	2.28	6.07	2.29	5.99	2.29	5.83	2.31
18 + 16 + 05 + 05 + 05	15	14.40	2.92	14.24	2.94	14.08	2.97	14.00	2.98	13.92	2.98	13.76	3.00
	10	13.08	2.81	12.92	2.83	12.76	2.86	12.67	2.86	12.59	2.86	12.43	2.88
	6	12.02	2.72	11.86	2.73	11.70	2.76	11.62	2.77	11.54	2.77	11.37	2.79
	0	10.44	2.58	10.28	2.60	10.12	2.63	10.04	2.63	9.96	2.63	9.80	2.65
	-5	9.12	2.47	8.96	2.49	8.80	2.51	8.72	2.52	8.64	2.52	8.48	2.54
	-10	7.80	2.36	7.64	2.37	7.48	2.40	7.39	2.41	7.31	2.41	7.15	2.42
	-15	6.48	2.25	6.32	2.26	6.16	2.28	6.07	2.29	5.99	2.29	5.83	2.31
18 + 18 + 05 + 05 + 05	15	14.40	2.92	14.24	2.94	14.08	2.97	14.00	2.98	13.92	2.98	13.76	3.00
	10	13.08	2.81	12.92	2.83	12.76	2.86	12.67	2.86	12.59	2.86	12.43	2.88
	6	12.02	2.72	11.86	2.73	11.70	2.76	11.62	2.77	11.54	2.77	11.37	2.79
	0	10.44	2.58	10.28	2.60	10.12	2.63	10.04	2.63	9.96	2.63	9.80	2.65
	-5	9.12	2.47	8.96	2.49	8.80	2.51	8.72	2.52	8.64	2.52	8.48	2.54
	-10	7.80	2.36	7.64	2.37	7.48	2.40	7.39	2.41	7.31	2.41	7.15	2.42
	-15	6.48	2.25	6.32	2.26	6.16	2.28	6.07	2.29	5.99	2.29	5.83	2.31
07 + 07 + 07 + 05 + 05	15	14.15	2.90	14.00	2.92	13.84	2.95	13.76	2.95	13.68	2.95	13.52	2.97
	10	12.85	2.79	12.70	2.80	12.54	2.83	12.46	2.84	12.38	2.84	12.22	2.86
	6	11.82	2.70	11.66	2.71	11.50	2.74	11.42	2.75	11.34	2.75	11.18	2.77
	0	10.26	2.56	10.10	2.58	9.94	2.61	9.87	2.61	9.79	2.61	9.63	2.63
	-5	8.96	2.45	8.81	2.47	8.65	2.49	8.57	2.50	8.49	2.50	8.33	2.52
	-10	7.66	2.34	7.51	2.36	7.35	2.38	7.27	2.39	7.19	2.39	7.03	2.40
	-15	6.37	2.23	6.21	2.24	6.05	2.27	5.97	2.27	5.89	2.27	5.73	2.29
10 + 07 + 07 + 05 + 05	15	14.40	2.92	14.24	2.94	14.08	2.97	14.00	2.98	13.92	2.98	13.76	3.00
	10	13.08	2.81	12.92	2.83	12.76	2.86	12.67	2.86	12.59	2.86	12.43	2.88
	6	12.02	2.72	11.86	2.73	11.70	2.76	11.62	2.77	11.54	2.77	11.37	2.79
	0	10.44	2.58	10.28	2.60	10.12	2.63	10.04	2.63	9.96	2.63	9.80	2.65
	-5	9.12	2.47	8.96	2.49	8.80	2.51	8.72	2.52	8.64	2.52	8.48	2.54
	-10	7.80	2.36	7.64	2.37	7.48	2.40	7.39	2.41	7.31	2.41	7.15	2.42
	-15	6.48	2.25	6.32	2.26	6.16	2.28	6.07	2.29	5.99	2.29	5.83	2.31
13 + 07 + 07 + 05 + 05	15	14.40	2.92	14.24	2.94	14.08	2.97	14.00	2.98	13.92	2.98	13.76	3.00
	10	13.08	2.81	12.92	2.83	12.76	2.86	12.67	2.86	12.59	2.86	12.43	2.88
	6	12.02	2.72	11.86	2.73	11.70	2.76	11.62	2.77	11.54	2.77	11.37	2.79
	0	10.44	2.58	10.28	2.60	10.12	2.63	10.04	2.63	9.96	2.63	9.80	2.65
	-5	9.12	2.47	8.96	2.49	8.80	2.51	8.72	2.52	8.64	2.52	8.48	2.54
	-10	7.80	2.36	7.64	2.37	7.48	2.40	7.39	2.41	7.31	2.41	7.15	2.42
	-15	6.48	2.25	6.32	2.26	6.16	2.28	6.07	2.29	5.99	2.29	5.83	2.31

Heating

5 - rooms multisplit : 5 - units operation

Indoor units : 16 type + 07 type + 07 type + 05 type + 05 type
 18 type + 07 type + 07 type + 05 type + 05 type
 10 type + 10 type + 07 type + 05 type + 05 type
 13 type + 10 type + 07 type + 05 type + 05 type

16 type + 10 type + 07 type + 05 type + 05 type
 18 type + 10 type + 07 type + 05 type + 05 type
 13 type + 13 type + 07 type + 05 type + 05 type
 16 type + 13 type + 07 type + 05 type + 05 type

TC : Total capacity [kW]
 PI : Power input [kW]

Outdoor unit : RAS-5M34U2AVG-E

Combination (Capacity)	Outdoor air temp. [°C WB]	Indoor air temp. [°C DB]											
		16		18		20		21		22		24	
		TC [kW]	PI [kW]	TC [kW]	PI [kW]	TC [kW]	PI [kW]	TC [kW]	PI [kW]	TC [kW]	PI [kW]	TC [kW]	PI [kW]
16 + 07 + 07 + 05 + 05	15	14.40	2.92	14.24	2.94	14.08	2.97	14.00	2.98	13.92	2.98	13.76	3.00
	10	13.08	2.81	12.92	2.83	12.76	2.86	12.67	2.86	12.59	2.86	12.43	2.88
	6	12.02	2.72	11.86	2.73	11.70	2.76	11.62	2.77	11.54	2.77	11.37	2.79
	0	10.44	2.58	10.28	2.60	10.12	2.63	10.04	2.63	9.96	2.63	9.80	2.65
	-5	9.12	2.47	8.96	2.49	8.80	2.51	8.72	2.52	8.64	2.52	8.48	2.54
	-10	7.80	2.36	7.64	2.37	7.48	2.40	7.39	2.41	7.31	2.41	7.15	2.42
	-15	6.48	2.25	6.32	2.26	6.16	2.28	6.07	2.29	5.99	2.29	5.83	2.31
18 + 07 + 07 + 05 + 05	15	14.40	2.92	14.24	2.94	14.08	2.97	14.00	2.98	13.92	2.98	13.76	3.00
	10	13.08	2.81	12.92	2.83	12.76	2.86	12.67	2.86	12.59	2.86	12.43	2.88
	6	12.02	2.72	11.86	2.73	11.70	2.76	11.62	2.77	11.54	2.77	11.37	2.79
	0	10.44	2.58	10.28	2.60	10.12	2.63	10.04	2.63	9.96	2.63	9.80	2.65
	-5	9.12	2.47	8.96	2.49	8.80	2.51	8.72	2.52	8.64	2.52	8.48	2.54
	-10	7.80	2.36	7.64	2.37	7.48	2.40	7.39	2.41	7.31	2.41	7.15	2.42
	-15	6.48	2.25	6.32	2.26	6.16	2.28	6.07	2.29	5.99	2.29	5.83	2.31
10 + 10 + 07 + 05 + 05	15	14.40	2.92	14.24	2.94	14.08	2.97	14.00	2.98	13.92	2.98	13.76	3.00
	10	13.08	2.81	12.92	2.83	12.76	2.86	12.67	2.86	12.59	2.86	12.43	2.88
	6	12.02	2.72	11.86	2.73	11.70	2.76	11.62	2.77	11.54	2.77	11.37	2.79
	0	10.44	2.58	10.28	2.60	10.12	2.63	10.04	2.63	9.96	2.63	9.80	2.65
	-5	9.12	2.47	8.96	2.49	8.80	2.51	8.72	2.52	8.64	2.52	8.48	2.54
	-10	7.80	2.36	7.64	2.37	7.48	2.40	7.39	2.41	7.31	2.41	7.15	2.42
	-15	6.48	2.25	6.32	2.26	6.16	2.28	6.07	2.29	5.99	2.29	5.83	2.31
13 + 10 + 07 + 05 + 05	15	14.40	2.92	14.24	2.94	14.08	2.97	14.00	2.98	13.92	2.98	13.76	3.00
	10	13.08	2.81	12.92	2.83	12.76	2.86	12.67	2.86	12.59	2.86	12.43	2.88
	6	12.02	2.72	11.86	2.73	11.70	2.76	11.62	2.77	11.54	2.77	11.37	2.79
	0	10.44	2.58	10.28	2.60	10.12	2.63	10.04	2.63	9.96	2.63	9.80	2.65
	-5	9.12	2.47	8.96	2.49	8.80	2.51	8.72	2.52	8.64	2.52	8.48	2.54
	-10	7.80	2.36	7.64	2.37	7.48	2.40	7.39	2.41	7.31	2.41	7.15	2.42
	-15	6.48	2.25	6.32	2.26	6.16	2.28	6.07	2.29	5.99	2.29	5.83	2.31
16 + 10 + 07 + 05 + 05	15	14.40	2.92	14.24	2.94	14.08	2.97	14.00	2.98	13.92	2.98	13.76	3.00
	10	13.08	2.81	12.92	2.83	12.76	2.86	12.67	2.86	12.59	2.86	12.43	2.88
	6	12.02	2.72	11.86	2.73	11.70	2.76	11.62	2.77	11.54	2.77	11.37	2.79
	0	10.44	2.58	10.28	2.60	10.12	2.63	10.04	2.63	9.96	2.63	9.80	2.65
	-5	9.12	2.47	8.96	2.49	8.80	2.51	8.72	2.52	8.64	2.52	8.48	2.54
	-10	7.80	2.36	7.64	2.37	7.48	2.40	7.39	2.41	7.31	2.41	7.15	2.42
	-15	6.48	2.25	6.32	2.26	6.16	2.28	6.07	2.29	5.99	2.29	5.83	2.31
18 + 10 + 07 + 05 + 05	15	14.40	2.92	14.24	2.94	14.08	2.97	14.00	2.98	13.92	2.98	13.76	3.00
	10	13.08	2.81	12.92	2.83	12.76	2.86	12.67	2.86	12.59	2.86	12.43	2.88
	6	12.02	2.72	11.86	2.73	11.70	2.76	11.62	2.77	11.54	2.77	11.37	2.79
	0	10.44	2.58	10.28	2.60	10.12	2.63	10.04	2.63	9.96	2.63	9.80	2.65
	-5	9.12	2.47	8.96	2.49	8.80	2.51	8.72	2.52	8.64	2.52	8.48	2.54
	-10	7.80	2.36	7.64	2.37	7.48	2.40	7.39	2.41	7.31	2.41	7.15	2.42
	-15	6.48	2.25	6.32	2.26	6.16	2.28	6.07	2.29	5.99	2.29	5.83	2.31
13 + 13 + 07 + 05 + 05	15	14.40	2.92	14.24	2.94	14.08	2.97	14.00	2.98	13.92	2.98	13.76	3.00
	10	13.08	2.81	12.92	2.83	12.76	2.86	12.67	2.86	12.59	2.86	12.43	2.88
	6	12.02	2.72	11.86	2.73	11.70	2.76	11.62	2.77	11.54	2.77	11.37	2.79
	0	10.44	2.58	10.28	2.60	10.12	2.63	10.04	2.63	9.96	2.63	9.80	2.65
	-5	9.12	2.47	8.96	2.49	8.80	2.51	8.72	2.52	8.64	2.52	8.48	2.54
	-10	7.80	2.36	7.64	2.37	7.48	2.40	7.39	2.41	7.31	2.41	7.15	2.42
	-15	6.48	2.25	6.32	2.26	6.16	2.28	6.07	2.29	5.99	2.29	5.83	2.31
16 + 13 + 07 + 05 + 05	15	14.40	2.92	14.24	2.94	14.08	2.97	14.00	2.98	13.92	2.98	13.76	3.00
	10	13.08	2.81	12.92	2.83	12.76	2.86	12.67	2.86	12.59	2.86	12.43	2.88
	6	12.02	2.72	11.86	2.73	11.70	2.76	11.62	2.77	11.54	2.77	11.37	2.79
	0	10.44	2.58	10.28	2.60	10.12	2.63	10.04	2.63	9.96	2.63	9.80	2.65
	-5	9.12	2.47	8.96	2.49	8.80	2.51	8.72	2.52	8.64	2.52	8.48	2.54
	-10	7.80	2.36	7.64	2.37	7.48	2.40	7.39	2.41	7.31	2.41	7.15	2.42
	-15	6.48	2.25	6.32	2.26	6.16	2.28	6.07	2.29	5.99	2.29	5.83	2.31

Heating

5 - rooms multisplit : 5 - units operation

Indoor units : 18 type + 13 type + 07 type + 05 type + 05 type
 16 type + 16 type + 07 type + 05 type + 05 type
 18 type + 16 type + 07 type + 05 type + 05 type
 10 type + 10 type + 10 type + 05 type + 05 type

13 type + 10 type + 10 type + 05 type + 05 type
 16 type + 10 type + 10 type + 05 type + 05 type
 18 type + 10 type + 10 type + 05 type + 05 type
 13 type + 13 type + 10 type + 05 type + 05 type

TC : Total capacity [kW]
 PI : Power input [kW]

Outdoor unit : RAS-5M34U2AVG-E

Combination (Capacity)	Outdoor air temp. [°C WB]	Indoor air temp. [°C DB]											
		16		18		20		21		22		24	
		TC [kW]	PI [kW]	TC [kW]	PI [kW]	TC [kW]	PI [kW]	TC [kW]	PI [kW]	TC [kW]	PI [kW]	TC [kW]	PI [kW]
18 + 13 + 07 + 05 + 05	15	14.40	2.92	14.24	2.94	14.08	2.97	14.00	2.98	13.92	2.98	13.76	3.00
	10	13.08	2.81	12.92	2.83	12.76	2.86	12.67	2.86	12.59	2.86	12.43	2.88
	6	12.02	2.72	11.86	2.73	11.70	2.76	11.62	2.77	11.54	2.77	11.37	2.79
	0	10.44	2.58	10.28	2.60	10.12	2.63	10.04	2.63	9.96	2.63	9.80	2.65
	-5	9.12	2.47	8.96	2.49	8.80	2.51	8.72	2.52	8.64	2.52	8.48	2.54
	-10	7.80	2.36	7.64	2.37	7.48	2.40	7.39	2.41	7.31	2.41	7.15	2.42
	-15	6.48	2.25	6.32	2.26	6.16	2.28	6.07	2.29	5.99	2.29	5.83	2.31
16 + 16 + 07 + 05 + 05	15	14.40	2.92	14.24	2.94	14.08	2.97	14.00	2.98	13.92	2.98	13.76	3.00
	10	13.08	2.81	12.92	2.83	12.76	2.86	12.67	2.86	12.59	2.86	12.43	2.88
	6	12.02	2.72	11.86	2.73	11.70	2.76	11.62	2.77	11.54	2.77	11.37	2.79
	0	10.44	2.58	10.28	2.60	10.12	2.63	10.04	2.63	9.96	2.63	9.80	2.65
	-5	9.12	2.47	8.96	2.49	8.80	2.51	8.72	2.52	8.64	2.52	8.48	2.54
	-10	7.80	2.36	7.64	2.37	7.48	2.40	7.39	2.41	7.31	2.41	7.15	2.42
	-15	6.48	2.25	6.32	2.26	6.16	2.28	6.07	2.29	5.99	2.29	5.83	2.31
18 + 16 + 07 + 05 + 05	15	14.40	2.92	14.24	2.94	14.08	2.97	14.00	2.98	13.92	2.98	13.76	3.00
	10	13.08	2.81	12.92	2.83	12.76	2.86	12.67	2.86	12.59	2.86	12.43	2.88
	6	12.02	2.72	11.86	2.73	11.70	2.76	11.62	2.77	11.54	2.77	11.37	2.79
	0	10.44	2.58	10.28	2.60	10.12	2.63	10.04	2.63	9.96	2.63	9.80	2.65
	-5	9.12	2.47	8.96	2.49	8.80	2.51	8.72	2.52	8.64	2.52	8.48	2.54
	-10	7.80	2.36	7.64	2.37	7.48	2.40	7.39	2.41	7.31	2.41	7.15	2.42
	-15	6.48	2.25	6.32	2.26	6.16	2.28	6.07	2.29	5.99	2.29	5.83	2.31
10 + 10 + 10 + 05 + 05	15	14.40	2.92	14.24	2.94	14.08	2.97	14.00	2.98	13.92	2.98	13.76	3.00
	10	13.08	2.81	12.92	2.83	12.76	2.86	12.67	2.86	12.59	2.86	12.43	2.88
	6	12.02	2.72	11.86	2.73	11.70	2.76	11.62	2.77	11.54	2.77	11.37	2.79
	0	10.44	2.58	10.28	2.60	10.12	2.63	10.04	2.63	9.96	2.63	9.80	2.65
	-5	9.12	2.47	8.96	2.49	8.80	2.51	8.72	2.52	8.64	2.52	8.48	2.54
	-10	7.80	2.36	7.64	2.37	7.48	2.40	7.39	2.41	7.31	2.41	7.15	2.42
	-15	6.48	2.25	6.32	2.26	6.16	2.28	6.07	2.29	5.99	2.29	5.83	2.31
13 + 10 + 10 + 05 + 05	15	14.40	2.92	14.24	2.94	14.08	2.97	14.00	2.98	13.92	2.98	13.76	3.00
	10	13.08	2.81	12.92	2.83	12.76	2.86	12.67	2.86	12.59	2.86	12.43	2.88
	6	12.02	2.72	11.86	2.73	11.70	2.76	11.62	2.77	11.54	2.77	11.37	2.79
	0	10.44	2.58	10.28	2.60	10.12	2.63	10.04	2.63	9.96	2.63	9.80	2.65
	-5	9.12	2.47	8.96	2.49	8.80	2.51	8.72	2.52	8.64	2.52	8.48	2.54
	-10	7.80	2.36	7.64	2.37	7.48	2.40	7.39	2.41	7.31	2.41	7.15	2.42
	-15	6.48	2.25	6.32	2.26	6.16	2.28	6.07	2.29	5.99	2.29	5.83	2.31
16 + 10 + 10 + 05 + 05	15	14.40	2.92	14.24	2.94	14.08	2.97	14.00	2.98	13.92	2.98	13.76	3.00
	10	13.08	2.81	12.92	2.83	12.76	2.86	12.67	2.86	12.59	2.86	12.43	2.88
	6	12.02	2.72	11.86	2.73	11.70	2.76	11.62	2.77	11.54	2.77	11.37	2.79
	0	10.44	2.58	10.28	2.60	10.12	2.63	10.04	2.63	9.96	2.63	9.80	2.65
	-5	9.12	2.47	8.96	2.49	8.80	2.51	8.72	2.52	8.64	2.52	8.48	2.54
	-10	7.80	2.36	7.64	2.37	7.48	2.40	7.39	2.41	7.31	2.41	7.15	2.42
	-15	6.48	2.25	6.32	2.26	6.16	2.28	6.07	2.29	5.99	2.29	5.83	2.31
18 + 10 + 10 + 05 + 05	15	14.40	2.92	14.24	2.94	14.08	2.97	14.00	2.98	13.92	2.98	13.76	3.00
	10	13.08	2.81	12.92	2.83	12.76	2.86	12.67	2.86	12.59	2.86	12.43	2.88
	6	12.02	2.72	11.86	2.73	11.70	2.76	11.62	2.77	11.54	2.77	11.37	2.79
	0	10.44	2.58	10.28	2.60	10.12	2.63	10.04	2.63	9.96	2.63	9.80	2.65
	-5	9.12	2.47	8.96	2.49	8.80	2.51	8.72	2.52	8.64	2.52	8.48	2.54
	-10	7.80	2.36	7.64	2.37	7.48	2.40	7.39	2.41	7.31	2.41	7.15	2.42
	-15	6.48	2.25	6.32	2.26	6.16	2.28	6.07	2.29	5.99	2.29	5.83	2.31
13 + 13 + 10 + 05 + 05	15	14.40	2.92	14.24	2.94	14.08	2.97	14.00	2.98	13.92	2.98	13.76	3.00
	10	13.08	2.81	12.92	2.83	12.76	2.86	12.67	2.86	12.59	2.86	12.43	2.88
	6	12.02	2.72	11.86	2.73	11.70	2.76	11.62	2.77	11.54	2.77	11.37	2.79
	0	10.44	2.58	10.28	2.60	10.12	2.63	10.04	2.63	9.96	2.63	9.80	2.65
	-5	9.12	2.47	8.96	2.49	8.80	2.51	8.72	2.52	8.64	2.52	8.48	2.54
	-10	7.80	2.36	7.64	2.37	7.48	2.40	7.39	2.41	7.31	2.41	7.15	2.42
	-15	6.48	2.25	6.32	2.26	6.16	2.28	6.07	2.29	5.99	2.29	5.83	2.31

Heating

5 - rooms multisplit : 5 - units operation

Indoor units : 07 type + 07 type + 07 type + 07 type + 05 type
 10 type + 07 type + 07 type + 07 type + 05 type
 13 type + 07 type + 07 type + 07 type + 05 type
 16 type + 07 type + 07 type + 07 type + 05 type

18 type + 07 type + 07 type + 07 type + 05 type
 10 type + 10 type + 07 type + 07 type + 05 type
 13 type + 10 type + 07 type + 07 type + 05 type
 16 type + 10 type + 07 type + 07 type + 05 type

TC : Total capacity [kW]
 PI : Power input [kW]

Outdoor unit : RAS-5M34U2AVG-E

Combination (Capacity)	Outdoor air temp. [°C WB]	Indoor air temp. [°C DB]											
		16		18		20		21		22		24	
		TC [kW]	PI [kW]	TC [kW]	PI [kW]	TC [kW]	PI [kW]	TC [kW]	PI [kW]	TC [kW]	PI [kW]	TC [kW]	PI [kW]
07 + 07 + 07 + 07 + 05	15	14.15	2.92	14.00	2.94	13.84	2.97	13.76	2.98	13.68	2.98	13.52	3.00
	10	12.85	2.81	12.70	2.83	12.54	2.86	12.46	2.86	12.38	2.86	12.22	2.88
	6	11.82	2.72	11.66	2.73	11.50	2.76	11.42	2.77	11.34	2.77	11.18	2.79
	0	10.26	2.58	10.10	2.60	9.94	2.63	9.87	2.63	9.79	2.63	9.63	2.65
	-5	8.96	2.47	8.81	2.49	8.65	2.51	8.57	2.52	8.49	2.52	8.33	2.54
	-10	7.66	2.36	7.51	2.37	7.35	2.40	7.27	2.41	7.19	2.41	7.03	2.42
	-15	6.37	2.25	6.21	2.26	6.05	2.28	5.97	2.29	5.89	2.29	5.73	2.31
10 + 07 + 07 + 07 + 05	15	14.40	2.92	14.24	2.94	14.08	2.97	14.00	2.98	13.92	2.98	13.76	3.00
	10	13.08	2.81	12.92	2.83	12.76	2.86	12.67	2.86	12.59	2.86	12.43	2.88
	6	12.02	2.72	11.86	2.73	11.70	2.76	11.62	2.77	11.54	2.77	11.37	2.79
	0	10.44	2.58	10.28	2.60	10.12	2.63	10.04	2.63	9.96	2.63	9.80	2.65
	-5	9.12	2.47	8.96	2.49	8.80	2.51	8.72	2.52	8.64	2.52	8.48	2.54
	-10	7.80	2.36	7.64	2.37	7.48	2.40	7.39	2.41	7.31	2.41	7.15	2.42
	-15	6.48	2.25	6.32	2.26	6.16	2.28	6.07	2.29	5.99	2.29	5.83	2.31
13 + 07 + 07 + 07 + 05	15	14.40	2.92	14.24	2.94	14.08	2.97	14.00	2.98	13.92	2.98	13.76	3.00
	10	13.08	2.81	12.92	2.83	12.76	2.86	12.67	2.86	12.59	2.86	12.43	2.88
	6	12.02	2.72	11.86	2.73	11.70	2.76	11.62	2.77	11.54	2.77	11.37	2.79
	0	10.44	2.58	10.28	2.60	10.12	2.63	10.04	2.63	9.96	2.63	9.80	2.65
	-5	9.12	2.47	8.96	2.49	8.80	2.51	8.72	2.52	8.64	2.52	8.48	2.54
	-10	7.80	2.36	7.64	2.37	7.48	2.40	7.39	2.41	7.31	2.41	7.15	2.42
	-15	6.48	2.25	6.32	2.26	6.16	2.28	6.07	2.29	5.99	2.29	5.83	2.31
16 + 07 + 07 + 07 + 05	15	14.40	2.92	14.24	2.94	14.08	2.97	14.00	2.98	13.92	2.98	13.76	3.00
	10	13.08	2.81	12.92	2.83	12.76	2.86	12.67	2.86	12.59	2.86	12.43	2.88
	6	12.02	2.72	11.86	2.73	11.70	2.76	11.62	2.77	11.54	2.77	11.37	2.79
	0	10.44	2.58	10.28	2.60	10.12	2.63	10.04	2.63	9.96	2.63	9.80	2.65
	-5	9.12	2.47	8.96	2.49	8.80	2.51	8.72	2.52	8.64	2.52	8.48	2.54
	-10	7.80	2.36	7.64	2.37	7.48	2.40	7.39	2.41	7.31	2.41	7.15	2.42
	-15	6.48	2.25	6.32	2.26	6.16	2.28	6.07	2.29	5.99	2.29	5.83	2.31
18 + 07 + 07 + 07 + 05	15	14.40	2.92	14.24	2.94	14.08	2.97	14.00	2.98	13.92	2.98	13.76	3.00
	10	13.08	2.81	12.92	2.83	12.76	2.86	12.67	2.86	12.59	2.86	12.43	2.88
	6	12.02	2.72	11.86	2.73	11.70	2.76	11.62	2.77	11.54	2.77	11.37	2.79
	0	10.44	2.58	10.28	2.60	10.12	2.63	10.04	2.63	9.96	2.63	9.80	2.65
	-5	9.12	2.47	8.96	2.49	8.80	2.51	8.72	2.52	8.64	2.52	8.48	2.54
	-10	7.80	2.36	7.64	2.37	7.48	2.40	7.39	2.41	7.31	2.41	7.15	2.42
	-15	6.48	2.25	6.32	2.26	6.16	2.28	6.07	2.29	5.99	2.29	5.83	2.31
10 + 10 + 07 + 07 + 05	15	14.40	2.92	14.24	2.94	14.08	2.97	14.00	2.98	13.92	2.98	13.76	3.00
	10	13.08	2.81	12.92	2.83	12.76	2.86	12.67	2.86	12.59	2.86	12.43	2.88
	6	12.02	2.72	11.86	2.73	11.70	2.76	11.62	2.77	11.54	2.77	11.37	2.79
	0	10.44	2.58	10.28	2.60	10.12	2.63	10.04	2.63	9.96	2.63	9.80	2.65
	-5	9.12	2.47	8.96	2.49	8.80	2.51	8.72	2.52	8.64	2.52	8.48	2.54
	-10	7.80	2.36	7.64	2.37	7.48	2.40	7.39	2.41	7.31	2.41	7.15	2.42
	-15	6.48	2.25	6.32	2.26	6.16	2.28	6.07	2.29	5.99	2.29	5.83	2.31
13 + 10 + 07 + 07 + 05	15	14.40	2.92	14.24	2.94	14.08	2.97	14.00	2.98	13.92	2.98	13.76	3.00
	10	13.08	2.81	12.92	2.83	12.76	2.86	12.67	2.86	12.59	2.86	12.43	2.88
	6	12.02	2.72	11.86	2.73	11.70	2.76	11.62	2.77	11.54	2.77	11.37	2.79
	0	10.44	2.58	10.28	2.60	10.12	2.63	10.04	2.63	9.96	2.63	9.80	2.65
	-5	9.12	2.47	8.96	2.49	8.80	2.51	8.72	2.52	8.64	2.52	8.48	2.54
	-10	7.80	2.36	7.64	2.37	7.48	2.40	7.39	2.41	7.31	2.41	7.15	2.42
	-15	6.48	2.25	6.32	2.26	6.16	2.28	6.07	2.29	5.99	2.29	5.83	2.31
16 + 10 + 07 + 07 + 05	15	14.40	2.92	14.24	2.94	14.08	2.97	14.00	2.98	13.92	2.98	13.76	3.00
	10	13.08	2.81	12.92	2.83	12.76	2.86	12.67	2.86	12.59	2.86	12.43	2.88
	6	12.02	2.72	11.86	2.73	11.70	2.76	11.62	2.77	11.54	2.77	11.37	2.79
	0	10.44	2.58	10.28	2.60	10.12	2.63	10.04	2.63	9.96	2.63	9.80	2.65
	-5	9.12	2.47	8.96	2.49	8.80	2.51	8.72	2.52	8.64	2.52	8.48	2.54
	-10	7.80	2.36	7.64	2.37	7.48	2.40	7.39	2.41	7.31	2.41	7.15	2.42
	-15	6.48	2.25	6.32	2.26	6.16	2.28	6.07	2.29	5.99	2.29	5.83	2.31

Heating

5 - rooms multisplit : 5 - units operation

Indoor units : 18 type + 10 type + 07 type + 07 type + 05 type 13 type + 10 type + 10 type + 07 type + 05 type
 13 type + 13 type + 07 type + 07 type + 05 type 16 type + 10 type + 10 type + 07 type + 05 type
 16 type + 13 type + 07 type + 07 type + 05 type 10 type + 10 type + 10 type + 10 type + 05 type
 10 type + 10 type + 10 type + 07 type + 05 type 07 type + 07 type + 07 type + 07 type + 07 type

TC : Total capacity [kW]
 PI : Power input [kW]

Outdoor unit : RAS-5M34U2AVG-E

Combination (Capacity)	Outdoor air temp. [°C WB]	Indoor air temp. [°C DB]											
		16		18		20		21		22		24	
		TC [kW]	PI [kW]	TC [kW]	PI [kW]	TC [kW]	PI [kW]	TC [kW]	PI [kW]	TC [kW]	PI [kW]	TC [kW]	PI [kW]
18 + 10 + 07 + 07 + 05	15	14.40	2.92	14.24	2.94	14.08	2.97	14.00	2.98	13.92	2.98	13.76	3.00
	10	13.08	2.81	12.92	2.83	12.76	2.86	12.67	2.86	12.59	2.86	12.43	2.88
	6	12.02	2.72	11.86	2.73	11.70	2.76	11.62	2.77	11.54	2.77	11.37	2.79
	0	10.44	2.58	10.28	2.60	10.12	2.63	10.04	2.63	9.96	2.63	9.80	2.65
	-5	9.12	2.47	8.96	2.49	8.80	2.51	8.72	2.52	8.64	2.52	8.48	2.54
	-10	7.80	2.36	7.64	2.37	7.48	2.40	7.39	2.41	7.31	2.41	7.15	2.42
	-15	6.48	2.25	6.32	2.26	6.16	2.28	6.07	2.29	5.99	2.29	5.83	2.31
13 + 13 + 07 + 07 + 05	15	14.40	2.92	14.24	2.94	14.08	2.97	14.00	2.98	13.92	2.98	13.76	3.00
	10	13.08	2.81	12.92	2.83	12.76	2.86	12.67	2.86	12.59	2.86	12.43	2.88
	6	12.02	2.72	11.86	2.73	11.70	2.76	11.62	2.77	11.54	2.77	11.37	2.79
	0	10.44	2.58	10.28	2.60	10.12	2.63	10.04	2.63	9.96	2.63	9.80	2.65
	-5	9.12	2.47	8.96	2.49	8.80	2.51	8.72	2.52	8.64	2.52	8.48	2.54
	-10	7.80	2.36	7.64	2.37	7.48	2.40	7.39	2.41	7.31	2.41	7.15	2.42
	-15	6.48	2.25	6.32	2.26	6.16	2.28	6.07	2.29	5.99	2.29	5.83	2.31
16 + 13 + 07 + 07 + 05	15	14.40	2.92	14.24	2.94	14.08	2.97	14.00	2.98	13.92	2.98	13.76	3.00
	10	13.08	2.81	12.92	2.83	12.76	2.86	12.67	2.86	12.59	2.86	12.43	2.88
	6	12.02	2.72	11.86	2.73	11.70	2.76	11.62	2.77	11.54	2.77	11.37	2.79
	0	10.44	2.58	10.28	2.60	10.12	2.63	10.04	2.63	9.96	2.63	9.80	2.65
	-5	9.12	2.47	8.96	2.49	8.80	2.51	8.72	2.52	8.64	2.52	8.48	2.54
	-10	7.80	2.36	7.64	2.37	7.48	2.40	7.39	2.41	7.31	2.41	7.15	2.42
	-15	6.48	2.25	6.32	2.26	6.16	2.28	6.07	2.29	5.99	2.29	5.83	2.31
10 + 10 + 10 + 07 + 05	15	14.40	2.92	14.24	2.94	14.08	2.97	14.00	2.98	13.92	2.98	13.76	3.00
	10	13.08	2.81	12.92	2.83	12.76	2.86	12.67	2.86	12.59	2.86	12.43	2.88
	6	12.02	2.72	11.86	2.73	11.70	2.76	11.62	2.77	11.54	2.77	11.37	2.79
	0	10.44	2.58	10.28	2.60	10.12	2.63	10.04	2.63	9.96	2.63	9.80	2.65
	-5	9.12	2.47	8.96	2.49	8.80	2.51	8.72	2.52	8.64	2.52	8.48	2.54
	-10	7.80	2.36	7.64	2.37	7.48	2.40	7.39	2.41	7.31	2.41	7.15	2.42
	-15	6.48	2.25	6.32	2.26	6.16	2.28	6.07	2.29	5.99	2.29	5.83	2.31
13 + 10 + 10 + 07 + 05	15	14.40	2.92	14.24	2.94	14.08	2.97	14.00	2.98	13.92	2.98	13.76	3.00
	10	13.08	2.81	12.92	2.83	12.76	2.86	12.67	2.86	12.59	2.86	12.43	2.88
	6	12.02	2.72	11.86	2.73	11.70	2.76	11.62	2.77	11.54	2.77	11.37	2.79
	0	10.44	2.58	10.28	2.60	10.12	2.63	10.04	2.63	9.96	2.63	9.80	2.65
	-5	9.12	2.47	8.96	2.49	8.80	2.51	8.72	2.52	8.64	2.52	8.48	2.54
	-10	7.80	2.36	7.64	2.37	7.48	2.40	7.39	2.41	7.31	2.41	7.15	2.42
	-15	6.48	2.25	6.32	2.26	6.16	2.28	6.07	2.29	5.99	2.29	5.83	2.31
16 + 10 + 10 + 07 + 05	15	14.40	2.92	14.24	2.94	14.08	2.97	14.00	2.98	13.92	2.98	13.76	3.00
	10	13.08	2.81	12.92	2.83	12.76	2.86	12.67	2.86	12.59	2.86	12.43	2.88
	6	12.02	2.72	11.86	2.73	11.70	2.76	11.62	2.77	11.54	2.77	11.37	2.79
	0	10.44	2.58	10.28	2.60	10.12	2.63	10.04	2.63	9.96	2.63	9.80	2.65
	-5	9.12	2.47	8.96	2.49	8.80	2.51	8.72	2.52	8.64	2.52	8.48	2.54
	-10	7.80	2.36	7.64	2.37	7.48	2.40	7.39	2.41	7.31	2.41	7.15	2.42
	-15	6.48	2.25	6.32	2.26	6.16	2.28	6.07	2.29	5.99	2.29	5.83	2.31
10 + 10 + 10 + 10 + 05	15	14.40	2.92	14.24	2.94	14.08	2.97	14.00	2.98	13.92	2.98	13.76	3.00
	10	13.08	2.81	12.92	2.83	12.76	2.86	12.67	2.86	12.59	2.86	12.43	2.88
	6	12.02	2.72	11.86	2.73	11.70	2.76	11.62	2.77	11.54	2.77	11.37	2.79
	0	10.44	2.58	10.28	2.60	10.12	2.63	10.04	2.63	9.96	2.63	9.80	2.65
	-5	9.12	2.47	8.96	2.49	8.80	2.51	8.72	2.52	8.64	2.52	8.48	2.54
	-10	7.80	2.36	7.64	2.37	7.48	2.40	7.39	2.41	7.31	2.41	7.15	2.42
	-15	6.48	2.25	6.32	2.26	6.16	2.28	6.07	2.29	5.99	2.29	5.83	2.31
07 + 07 + 07 + 07 + 07	15	14.03	2.85	13.87	2.86	13.72	2.89	13.64	2.90	13.56	2.90	13.40	2.92
	10	12.74	2.74	12.58	2.75	12.43	2.78	12.35	2.79	12.27	2.79	12.11	2.81
	6	11.71	2.65	11.56	2.66	11.40	2.69	11.32	2.70	11.24	2.70	11.08	2.71
	0	10.17	2.52	10.02	2.53	9.86	2.56	9.78	2.57	9.70	2.57	9.54	2.58
	-5	8.89	2.41	8.73	2.42	8.57	2.45	8.49	2.45	8.42	2.45	8.26	2.47
	-10	7.60	2.30	7.44	2.31	7.28	2.34	7.20	2.34	7.12	2.34	6.97	2.36
	-15	6.31	2.19	6.15	2.20	6.00	2.22	5.92	2.23	5.84	2.23	5.68	2.25

Heating

5 - rooms multisplit : 5 - units operation

Indoor units : 10 type + 07 type + 07 type + 07 type + 07 type 10 type + 10 type + 07 type + 07 type + 07 type
 13 type + 07 type + 07 type + 07 type + 07 type 13 type + 10 type + 07 type + 07 type + 07 type
 16 type + 07 type + 07 type + 07 type + 07 type 16 type + 10 type + 07 type + 07 type + 07 type
 18 type + 07 type + 07 type + 07 type + 07 type 18 type + 10 type + 07 type + 07 type + 07 type

TC : Total capacity [kW]
 PI : Power input [kW]

Outdoor unit : RAS-5M34U2AVG-E

Combination (Capacity)	Outdoor air temp. [°C WB]	Indoor air temp. [°C DB]											
		16		18		20		21		22		24	
		TC [kW]	PI [kW]	TC [kW]	PI [kW]	TC [kW]	PI [kW]	TC [kW]	PI [kW]	TC [kW]	PI [kW]	TC [kW]	PI [kW]
10 + 07 + 07 + 07 + 07	15	14.40	2.92	14.24	2.94	14.08	2.97	14.00	2.98	13.92	2.98	13.76	3.00
	10	13.08	2.81	12.92	2.83	12.76	2.86	12.67	2.86	12.59	2.86	12.43	2.88
	6	12.02	2.72	11.86	2.73	11.70	2.76	11.62	2.77	11.54	2.77	11.37	2.79
	0	10.44	2.58	10.28	2.60	10.12	2.63	10.04	2.63	9.96	2.63	9.80	2.65
	-5	9.12	2.47	8.96	2.49	8.80	2.51	8.72	2.52	8.64	2.52	8.48	2.54
	-10	7.80	2.36	7.64	2.37	7.48	2.40	7.39	2.41	7.31	2.41	7.15	2.42
	-15	6.48	2.25	6.32	2.26	6.16	2.28	6.07	2.29	5.99	2.29	5.83	2.31
13 + 07 + 07 + 07 + 07	15	14.40	2.92	14.24	2.94	14.08	2.97	14.00	2.98	13.92	2.98	13.76	3.00
	10	13.08	2.81	12.92	2.83	12.76	2.86	12.67	2.86	12.59	2.86	12.43	2.88
	6	12.02	2.72	11.86	2.73	11.70	2.76	11.62	2.77	11.54	2.77	11.37	2.79
	0	10.44	2.58	10.28	2.60	10.12	2.63	10.04	2.63	9.96	2.63	9.80	2.65
	-5	9.12	2.47	8.96	2.49	8.80	2.51	8.72	2.52	8.64	2.52	8.48	2.54
	-10	7.80	2.36	7.64	2.37	7.48	2.40	7.39	2.41	7.31	2.41	7.15	2.42
	-15	6.48	2.25	6.32	2.26	6.16	2.28	6.07	2.29	5.99	2.29	5.83	2.31
16 + 07 + 07 + 07 + 07	15	14.40	2.92	14.24	2.94	14.08	2.97	14.00	2.98	13.92	2.98	13.76	3.00
	10	13.08	2.81	12.92	2.83	12.76	2.86	12.67	2.86	12.59	2.86	12.43	2.88
	6	12.02	2.72	11.86	2.73	11.70	2.76	11.62	2.77	11.54	2.77	11.37	2.79
	0	10.44	2.58	10.28	2.60	10.12	2.63	10.04	2.63	9.96	2.63	9.80	2.65
	-5	9.12	2.47	8.96	2.49	8.80	2.51	8.72	2.52	8.64	2.52	8.48	2.54
	-10	7.80	2.36	7.64	2.37	7.48	2.40	7.39	2.41	7.31	2.41	7.15	2.42
	-15	6.48	2.25	6.32	2.26	6.16	2.28	6.07	2.29	5.99	2.29	5.83	2.31
18 + 07 + 07 + 07 + 07	15	14.40	2.92	14.24	2.94	14.08	2.97	14.00	2.98	13.92	2.98	13.76	3.00
	10	13.08	2.81	12.92	2.83	12.76	2.86	12.67	2.86	12.59	2.86	12.43	2.88
	6	12.02	2.72	11.86	2.73	11.70	2.76	11.62	2.77	11.54	2.77	11.37	2.79
	0	10.44	2.58	10.28	2.60	10.12	2.63	10.04	2.63	9.96	2.63	9.80	2.65
	-5	9.12	2.47	8.96	2.49	8.80	2.51	8.72	2.52	8.64	2.52	8.48	2.54
	-10	7.80	2.36	7.64	2.37	7.48	2.40	7.39	2.41	7.31	2.41	7.15	2.42
	-15	6.48	2.25	6.32	2.26	6.16	2.28	6.07	2.29	5.99	2.29	5.83	2.31
10 + 10 + 07 + 07 + 07	15	14.40	2.92	14.24	2.94	14.08	2.97	14.00	2.98	13.92	2.98	13.76	3.00
	10	13.08	2.81	12.92	2.83	12.76	2.86	12.67	2.86	12.59	2.86	12.43	2.88
	6	12.02	2.72	11.86	2.73	11.70	2.76	11.62	2.77	11.54	2.77	11.37	2.79
	0	10.44	2.58	10.28	2.60	10.12	2.63	10.04	2.63	9.96	2.63	9.80	2.65
	-5	9.12	2.47	8.96	2.49	8.80	2.51	8.72	2.52	8.64	2.52	8.48	2.54
	-10	7.80	2.36	7.64	2.37	7.48	2.40	7.39	2.41	7.31	2.41	7.15	2.42
	-15	6.48	2.25	6.32	2.26	6.16	2.28	6.07	2.29	5.99	2.29	5.83	2.31
13 + 10 + 07 + 07 + 07	15	14.40	2.92	14.24	2.94	14.08	2.97	14.00	2.98	13.92	2.98	13.76	3.00
	10	13.08	2.81	12.92	2.83	12.76	2.86	12.67	2.86	12.59	2.86	12.43	2.88
	6	12.02	2.72	11.86	2.73	11.70	2.76	11.62	2.77	11.54	2.77	11.37	2.79
	0	10.44	2.58	10.28	2.60	10.12	2.63	10.04	2.63	9.96	2.63	9.80	2.65
	-5	9.12	2.47	8.96	2.49	8.80	2.51	8.72	2.52	8.64	2.52	8.48	2.54
	-10	7.80	2.36	7.64	2.37	7.48	2.40	7.39	2.41	7.31	2.41	7.15	2.42
	-15	6.48	2.25	6.32	2.26	6.16	2.28	6.07	2.29	5.99	2.29	5.83	2.31
16 + 10 + 07 + 07 + 07	15	14.40	2.92	14.24	2.94	14.08	2.97	14.00	2.98	13.92	2.98	13.76	3.00
	10	13.08	2.81	12.92	2.83	12.76	2.86	12.67	2.86	12.59	2.86	12.43	2.88
	6	12.02	2.72	11.86	2.73	11.70	2.76	11.62	2.77	11.54	2.77	11.37	2.79
	0	10.44	2.58	10.28	2.60	10.12	2.63	10.04	2.63	9.96	2.63	9.80	2.65
	-5	9.12	2.47	8.96	2.49	8.80	2.51	8.72	2.52	8.64	2.52	8.48	2.54
	-10	7.80	2.36	7.64	2.37	7.48	2.40	7.39	2.41	7.31	2.41	7.15	2.42
	-15	6.48	2.25	6.32	2.26	6.16	2.28	6.07	2.29	5.99	2.29	5.83	2.31
18 + 10 + 07 + 07 + 07	15	14.40	2.92	14.24	2.94	14.08	2.97	14.00	2.98	13.92	2.98	13.76	3.00
	10	13.08	2.81	12.92	2.83	12.76	2.86	12.67	2.86	12.59	2.86	12.43	2.88
	6	12.02	2.72	11.86	2.73	11.70	2.76	11.62	2.77	11.54	2.77	11.37	2.79
	0	10.44	2.58	10.28	2.60	10.12	2.63	10.04	2.63	9.96	2.63	9.80	2.65
	-5	9.12	2.47	8.96	2.49	8.80	2.51	8.72	2.52	8.64	2.52	8.48	2.54
	-10	7.80	2.36	7.64	2.37	7.48	2.40	7.39	2.41	7.31	2.41	7.15	2.42
	-15	6.48	2.25	6.32	2.26	6.16	2.28	6.07	2.29	5.99	2.29	5.83	2.31

Heating

5 - rooms multisplit : 5 - units operation

Indoor units : 13 type + 13 type + 07 type + 07 type + 07 type
 16 type + 13 type + 07 type + 07 type + 07 type
 18 type + 13 type + 07 type + 07 type + 07 type
 16 type + 16 type + 07 type + 07 type + 07 type

18 type + 16 type + 07 type + 07 type + 07 type
 10 type + 10 type + 10 type + 07 type + 07 type
 13 type + 10 type + 10 type + 07 type + 07 type
 16 type + 10 type + 10 type + 07 type + 07 type

TC : Total capacity [kW]
 PI : Power input [kW]

Outdoor unit : RAS-5M34U2AVG-E

Combination (Capacity)	Outdoor air temp. [°C WB]	Indoor air temp. [°C DB]											
		16		18		20		21		22		24	
		TC [kW]	PI [kW]	TC [kW]	PI [kW]	TC [kW]	PI [kW]	TC [kW]	PI [kW]	TC [kW]	PI [kW]	TC [kW]	PI [kW]
13 + 13 + 07 + 07 + 07	15	14.40	2.92	14.24	2.94	14.08	2.97	14.00	2.98	13.92	2.98	13.76	3.00
	10	13.08	2.81	12.92	2.83	12.76	2.86	12.67	2.86	12.59	2.86	12.43	2.88
	6	12.02	2.72	11.86	2.73	11.70	2.76	11.62	2.77	11.54	2.77	11.37	2.79
	0	10.44	2.58	10.28	2.60	10.12	2.63	10.04	2.63	9.96	2.63	9.80	2.65
	-5	9.12	2.47	8.96	2.49	8.80	2.51	8.72	2.52	8.64	2.52	8.48	2.54
	-10	7.80	2.36	7.64	2.37	7.48	2.40	7.39	2.41	7.31	2.41	7.15	2.42
	-15	6.48	2.25	6.32	2.26	6.16	2.28	6.07	2.29	5.99	2.29	5.83	2.31
16 + 13 + 07 + 07 + 07	15	14.40	2.92	14.24	2.94	14.08	2.97	14.00	2.98	13.92	2.98	13.76	3.00
	10	13.08	2.81	12.92	2.83	12.76	2.86	12.67	2.86	12.59	2.86	12.43	2.88
	6	12.02	2.72	11.86	2.73	11.70	2.76	11.62	2.77	11.54	2.77	11.37	2.79
	0	10.44	2.58	10.28	2.60	10.12	2.63	10.04	2.63	9.96	2.63	9.80	2.65
	-5	9.12	2.47	8.96	2.49	8.80	2.51	8.72	2.52	8.64	2.52	8.48	2.54
	-10	7.80	2.36	7.64	2.37	7.48	2.40	7.39	2.41	7.31	2.41	7.15	2.42
	-15	6.48	2.25	6.32	2.26	6.16	2.28	6.07	2.29	5.99	2.29	5.83	2.31
18 + 13 + 07 + 07 + 07	15	14.40	2.92	14.24	2.94	14.08	2.97	14.00	2.98	13.92	2.98	13.76	3.00
	10	13.08	2.81	12.92	2.83	12.76	2.86	12.67	2.86	12.59	2.86	12.43	2.88
	6	12.02	2.72	11.86	2.73	11.70	2.76	11.62	2.77	11.54	2.77	11.37	2.79
	0	10.44	2.58	10.28	2.60	10.12	2.63	10.04	2.63	9.96	2.63	9.80	2.65
	-5	9.12	2.47	8.96	2.49	8.80	2.51	8.72	2.52	8.64	2.52	8.48	2.54
	-10	7.80	2.36	7.64	2.37	7.48	2.40	7.39	2.41	7.31	2.41	7.15	2.42
	-15	6.48	2.25	6.32	2.26	6.16	2.28	6.07	2.29	5.99	2.29	5.83	2.31
16 + 16 + 07 + 07 + 07	15	14.40	2.92	14.24	2.94	14.08	2.97	14.00	2.98	13.92	2.98	13.76	3.00
	10	13.08	2.81	12.92	2.83	12.76	2.86	12.67	2.86	12.59	2.86	12.43	2.88
	6	12.02	2.72	11.86	2.73	11.70	2.76	11.62	2.77	11.54	2.77	11.37	2.79
	0	10.44	2.58	10.28	2.60	10.12	2.63	10.04	2.63	9.96	2.63	9.80	2.65
	-5	9.12	2.47	8.96	2.49	8.80	2.51	8.72	2.52	8.64	2.52	8.48	2.54
	-10	7.80	2.36	7.64	2.37	7.48	2.40	7.39	2.41	7.31	2.41	7.15	2.42
	-15	6.48	2.25	6.32	2.26	6.16	2.28	6.07	2.29	5.99	2.29	5.83	2.31
18 + 16 + 07 + 07 + 07	15	14.40	2.92	14.24	2.94	14.08	2.97	14.00	2.98	13.92	2.98	13.76	3.00
	10	13.08	2.81	12.92	2.83	12.76	2.86	12.67	2.86	12.59	2.86	12.43	2.88
	6	12.02	2.72	11.86	2.73	11.70	2.76	11.62	2.77	11.54	2.77	11.37	2.79
	0	10.44	2.58	10.28	2.60	10.12	2.63	10.04	2.63	9.96	2.63	9.80	2.65
	-5	9.12	2.47	8.96	2.49	8.80	2.51	8.72	2.52	8.64	2.52	8.48	2.54
	-10	7.80	2.36	7.64	2.37	7.48	2.40	7.39	2.41	7.31	2.41	7.15	2.42
	-15	6.48	2.25	6.32	2.26	6.16	2.28	6.07	2.29	5.99	2.29	5.83	2.31
10 + 10 + 10 + 07 + 07	15	14.40	2.92	14.24	2.94	14.08	2.97	14.00	2.98	13.92	2.98	13.76	3.00
	10	13.08	2.81	12.92	2.83	12.76	2.86	12.67	2.86	12.59	2.86	12.43	2.88
	6	12.02	2.72	11.86	2.73	11.70	2.76	11.62	2.77	11.54	2.77	11.37	2.79
	0	10.44	2.58	10.28	2.60	10.12	2.63	10.04	2.63	9.96	2.63	9.80	2.65
	-5	9.12	2.47	8.96	2.49	8.80	2.51	8.72	2.52	8.64	2.52	8.48	2.54
	-10	7.80	2.36	7.64	2.37	7.48	2.40	7.39	2.41	7.31	2.41	7.15	2.42
	-15	6.48	2.25	6.32	2.26	6.16	2.28	6.07	2.29	5.99	2.29	5.83	2.31
13 + 10 + 10 + 07 + 07	15	14.40	2.92	14.24	2.94	14.08	2.97	14.00	2.98	13.92	2.98	13.76	3.00
	10	13.08	2.81	12.92	2.83	12.76	2.86	12.67	2.86	12.59	2.86	12.43	2.88
	6	12.02	2.72	11.86	2.73	11.70	2.76	11.62	2.77	11.54	2.77	11.37	2.79
	0	10.44	2.58	10.28	2.60	10.12	2.63	10.04	2.63	9.96	2.63	9.80	2.65
	-5	9.12	2.47	8.96	2.49	8.80	2.51	8.72	2.52	8.64	2.52	8.48	2.54
	-10	7.80	2.36	7.64	2.37	7.48	2.40	7.39	2.41	7.31	2.41	7.15	2.42
	-15	6.48	2.25	6.32	2.26	6.16	2.28	6.07	2.29	5.99	2.29	5.83	2.31
16 + 10 + 10 + 07 + 07	15	14.40	2.92	14.24	2.94	14.08	2.97	14.00	2.98	13.92	2.98	13.76	3.00
	10	13.08	2.81	12.92	2.83	12.76	2.86	12.67	2.86	12.59	2.86	12.43	2.88
	6	12.02	2.72	11.86	2.73	11.70	2.76	11.62	2.77	11.54	2.77	11.37	2.79
	0	10.44	2.58	10.28	2.60	10.12	2.63	10.04	2.63	9.96	2.63	9.80	2.65
	-5	9.12	2.47	8.96	2.49	8.80	2.51	8.72	2.52	8.64	2.52	8.48	2.54
	-10	7.80	2.36	7.64	2.37	7.48	2.40	7.39	2.41	7.31	2.41	7.15	2.42
	-15	6.48	2.25	6.32	2.26	6.16	2.28	6.07	2.29	5.99	2.29	5.83	2.31

Heating

5 - rooms multisplit : 5 - units operation

Indoor units : 18 type + 10 type + 10 type + 07 type + 07 type 16 type + 16 type + 10 type + 07 type + 07 type
 13 type + 13 type + 10 type + 07 type + 07 type 18 type + 16 type + 10 type + 07 type + 07 type
 16 type + 13 type + 10 type + 07 type + 07 type 13 type + 13 type + 13 type + 07 type + 07 type
 18 type + 13 type + 10 type + 07 type + 07 type 16 type + 13 type + 13 type + 07 type + 07 type

TC : Total capacity [kW]

PI : Power input [kW]

Outdoor unit : RAS-5M34U2AVG-E

Combination (Capacity)	Outdoor air temp. [°C WB]	Indoor air temp. [°C DB]											
		16		18		20		21		22		24	
		TC [kW]	PI [kW]	TC [kW]	PI [kW]	TC [kW]	PI [kW]	TC [kW]	PI [kW]	TC [kW]	PI [kW]	TC [kW]	PI [kW]
18 + 10 + 10 + 07 + 07	15	14.40	2.92	14.24	2.94	14.08	2.97	14.00	2.98	13.92	2.98	13.76	3.00
	10	13.08	2.81	12.92	2.83	12.76	2.86	12.67	2.86	12.59	2.86	12.43	2.88
	6	12.02	2.72	11.86	2.73	11.70	2.76	11.62	2.77	11.54	2.77	11.37	2.79
	0	10.44	2.58	10.28	2.60	10.12	2.63	10.04	2.63	9.96	2.63	9.80	2.65
	-5	9.12	2.47	8.96	2.49	8.80	2.51	8.72	2.52	8.64	2.52	8.48	2.54
	-10	7.80	2.36	7.64	2.37	7.48	2.40	7.39	2.41	7.31	2.41	7.15	2.42
	-15	6.48	2.25	6.32	2.26	6.16	2.28	6.07	2.29	5.99	2.29	5.83	2.31
13 + 13 + 10 + 07 + 07	15	14.40	2.92	14.24	2.94	14.08	2.97	14.00	2.98	13.92	2.98	13.76	3.00
	10	13.08	2.81	12.92	2.83	12.76	2.86	12.67	2.86	12.59	2.86	12.43	2.88
	6	12.02	2.72	11.86	2.73	11.70	2.76	11.62	2.77	11.54	2.77	11.37	2.79
	0	10.44	2.58	10.28	2.60	10.12	2.63	10.04	2.63	9.96	2.63	9.80	2.65
	-5	9.12	2.47	8.96	2.49	8.80	2.51	8.72	2.52	8.64	2.52	8.48	2.54
	-10	7.80	2.36	7.64	2.37	7.48	2.40	7.39	2.41	7.31	2.41	7.15	2.42
	-15	6.48	2.25	6.32	2.26	6.16	2.28	6.07	2.29	5.99	2.29	5.83	2.31
16 + 13 + 10 + 07 + 07	15	14.40	2.92	14.24	2.94	14.08	2.97	14.00	2.98	13.92	2.98	13.76	3.00
	10	13.08	2.81	12.92	2.83	12.76	2.86	12.67	2.86	12.59	2.86	12.43	2.88
	6	12.02	2.72	11.86	2.73	11.70	2.76	11.62	2.77	11.54	2.77	11.37	2.79
	0	10.44	2.58	10.28	2.60	10.12	2.63	10.04	2.63	9.96	2.63	9.80	2.65
	-5	9.12	2.47	8.96	2.49	8.80	2.51	8.72	2.52	8.64	2.52	8.48	2.54
	-10	7.80	2.36	7.64	2.37	7.48	2.40	7.39	2.41	7.31	2.41	7.15	2.42
	-15	6.48	2.25	6.32	2.26	6.16	2.28	6.07	2.29	5.99	2.29	5.83	2.31
18 + 13 + 10 + 07 + 07	15	14.40	2.92	14.24	2.94	14.08	2.97	14.00	2.98	13.92	2.98	13.76	3.00
	10	13.08	2.81	12.92	2.83	12.76	2.86	12.67	2.86	12.59	2.86	12.43	2.88
	6	12.02	2.72	11.86	2.73	11.70	2.76	11.62	2.77	11.54	2.77	11.37	2.79
	0	10.44	2.58	10.28	2.60	10.12	2.63	10.04	2.63	9.96	2.63	9.80	2.65
	-5	9.12	2.47	8.96	2.49	8.80	2.51	8.72	2.52	8.64	2.52	8.48	2.54
	-10	7.80	2.36	7.64	2.37	7.48	2.40	7.39	2.41	7.31	2.41	7.15	2.42
	-15	6.48	2.25	6.32	2.26	6.16	2.28	6.07	2.29	5.99	2.29	5.83	2.31
16 + 16 + 10 + 07 + 07	15	14.40	2.92	14.24	2.94	14.08	2.97	14.00	2.98	13.92	2.98	13.76	3.00
	10	13.08	2.81	12.92	2.83	12.76	2.86	12.67	2.86	12.59	2.86	12.43	2.88
	6	12.02	2.72	11.86	2.73	11.70	2.76	11.62	2.77	11.54	2.77	11.37	2.79
	0	10.44	2.58	10.28	2.60	10.12	2.63	10.04	2.63	9.96	2.63	9.80	2.65
	-5	9.12	2.47	8.96	2.49	8.80	2.51	8.72	2.52	8.64	2.52	8.48	2.54
	-10	7.80	2.36	7.64	2.37	7.48	2.40	7.39	2.41	7.31	2.41	7.15	2.42
	-15	6.48	2.25	6.32	2.26	6.16	2.28	6.07	2.29	5.99	2.29	5.83	2.31
18 + 16 + 10 + 07 + 07	15	14.40	2.92	14.24	2.94	14.08	2.97	14.00	2.98	13.92	2.98	13.76	3.00
	10	13.08	2.81	12.92	2.83	12.76	2.86	12.67	2.86	12.59	2.86	12.43	2.88
	6	12.02	2.72	11.86	2.73	11.70	2.76	11.62	2.77	11.54	2.77	11.37	2.79
	0	10.44	2.58	10.28	2.60	10.12	2.63	10.04	2.63	9.96	2.63	9.80	2.65
	-5	9.12	2.47	8.96	2.49	8.80	2.51	8.72	2.52	8.64	2.52	8.48	2.54
	-10	7.80	2.36	7.64	2.37	7.48	2.40	7.39	2.41	7.31	2.41	7.15	2.42
	-15	6.48	2.25	6.32	2.26	6.16	2.28	6.07	2.29	5.99	2.29	5.83	2.31
13 + 13 + 13 + 07 + 07	15	14.40	2.92	14.24	2.94	14.08	2.97	14.00	2.98	13.92	2.98	13.76	3.00
	10	13.08	2.81	12.92	2.83	12.76	2.86	12.67	2.86	12.59	2.86	12.43	2.88
	6	12.02	2.72	11.86	2.73	11.70	2.76	11.62	2.77	11.54	2.77	11.37	2.79
	0	10.44	2.58	10.28	2.60	10.12	2.63	10.04	2.63	9.96	2.63	9.80	2.65
	-5	9.12	2.47	8.96	2.49	8.80	2.51	8.72	2.52	8.64	2.52	8.48	2.54
	-10	7.80	2.36	7.64	2.37	7.48	2.40	7.39	2.41	7.31	2.41	7.15	2.42
	-15	6.48	2.25	6.32	2.26	6.16	2.28	6.07	2.29	5.99	2.29	5.83	2.31
16 + 13 + 13 + 07 + 07	15	14.40	2.92	14.24	2.94	14.08	2.97	14.00	2.98	13.92	2.98	13.76	3.00
	10	13.08	2.81	12.92	2.83	12.76	2.86	12.67	2.86	12.59	2.86	12.43	2.88
	6	12.02	2.72	11.86	2.73	11.70	2.76	11.62	2.77	11.54	2.77	11.37	2.79
	0	10.44	2.58	10.28	2.60	10.12	2.63	10.04	2.63	9.96	2.63	9.80	2.65
	-5	9.12	2.47	8.96	2.49	8.80	2.51	8.72	2.52	8.64	2.52	8.48	2.54
	-10	7.80	2.36	7.64	2.37	7.48	2.40	7.39	2.41	7.31	2.41	7.15	2.42
	-15	6.48	2.25	6.32	2.26	6.16	2.28	6.07	2.29	5.99	2.29	5.83	2.31

Heating

5 - rooms multisplit : 5 - units operation

Indoor units : 18 type + 13 type + 13 type + 07 type + 07 type 13 type + 10 type + 10 type + 10 type + 07 type
 16 type + 16 type + 13 type + 07 type + 07 type 16 type + 10 type + 10 type + 10 type + 07 type
 18 type + 16 type + 10 type + 10 type + 07 type 18 type + 10 type + 10 type + 10 type + 07 type
 10 type + 10 type + 10 type + 10 type + 07 type 13 type + 13 type + 10 type + 10 type + 07 type

TC : Total capacity [kW]
 PI : Power input [kW]

Outdoor unit : RAS-5M34U2AVG-E

Combination (Capacity)	Outdoor air temp. [°C WB]	Indoor air temp. [°C DB]											
		16		18		20		21		22		24	
		TC [kW]	PI [kW]	TC [kW]	PI [kW]	TC [kW]	PI [kW]	TC [kW]	PI [kW]	TC [kW]	PI [kW]	TC [kW]	PI [kW]
18 + 13 + 13 + 07 + 07	15	14.40	2.92	14.24	2.94	14.08	2.97	14.00	2.98	13.92	2.98	13.76	3.00
	10	13.08	2.81	12.92	2.83	12.76	2.86	12.67	2.86	12.59	2.86	12.43	2.88
	6	12.02	2.72	11.86	2.73	11.70	2.76	11.62	2.77	11.54	2.77	11.37	2.79
	0	10.44	2.58	10.28	2.60	10.12	2.63	10.04	2.63	9.96	2.63	9.80	2.65
	-5	9.12	2.47	8.96	2.49	8.80	2.51	8.72	2.52	8.64	2.52	8.48	2.54
	-10	7.80	2.36	7.64	2.37	7.48	2.40	7.39	2.41	7.31	2.41	7.15	2.42
	-15	6.48	2.25	6.32	2.26	6.16	2.28	6.07	2.29	5.99	2.29	5.83	2.31
16 + 16 + 13 + 07 + 07	15	14.40	2.92	14.24	2.94	14.08	2.97	14.00	2.98	13.92	2.98	13.76	3.00
	10	13.08	2.81	12.92	2.83	12.76	2.86	12.67	2.86	12.59	2.86	12.43	2.88
	6	12.02	2.72	11.86	2.73	11.70	2.76	11.62	2.77	11.54	2.77	11.37	2.79
	0	10.44	2.58	10.28	2.60	10.12	2.63	10.04	2.63	9.96	2.63	9.80	2.65
	-5	9.12	2.47	8.96	2.49	8.80	2.51	8.72	2.52	8.64	2.52	8.48	2.54
	-10	7.80	2.36	7.64	2.37	7.48	2.40	7.39	2.41	7.31	2.41	7.15	2.42
	-15	6.48	2.25	6.32	2.26	6.16	2.28	6.07	2.29	5.99	2.29	5.83	2.31
18 + 16 + 13 + 07 + 07	15	14.40	2.92	14.24	2.94	14.08	2.97	14.00	2.98	13.92	2.98	13.76	3.00
	10	13.08	2.81	12.92	2.83	12.76	2.86	12.67	2.86	12.59	2.86	12.43	2.88
	6	12.02	2.72	11.86	2.73	11.70	2.76	11.62	2.77	11.54	2.77	11.37	2.79
	0	10.44	2.58	10.28	2.60	10.12	2.63	10.04	2.63	9.96	2.63	9.80	2.65
	-5	9.12	2.47	8.96	2.49	8.80	2.51	8.72	2.52	8.64	2.52	8.48	2.54
	-10	7.80	2.36	7.64	2.37	7.48	2.40	7.39	2.41	7.31	2.41	7.15	2.42
	-15	6.48	2.25	6.32	2.26	6.16	2.28	6.07	2.29	5.99	2.29	5.83	2.31
10 + 10 + 10 + 10 + 07	15	14.40	2.92	14.24	2.94	14.08	2.97	14.00	2.98	13.92	2.98	13.76	3.00
	10	13.08	2.81	12.92	2.83	12.76	2.86	12.67	2.86	12.59	2.86	12.43	2.88
	6	12.02	2.72	11.86	2.73	11.70	2.76	11.62	2.77	11.54	2.77	11.37	2.79
	0	10.44	2.58	10.28	2.60	10.12	2.63	10.04	2.63	9.96	2.63	9.80	2.65
	-5	9.12	2.47	8.96	2.49	8.80	2.51	8.72	2.52	8.64	2.52	8.48	2.54
	-10	7.80	2.36	7.64	2.37	7.48	2.40	7.39	2.41	7.31	2.41	7.15	2.42
	-15	6.48	2.25	6.32	2.26	6.16	2.28	6.07	2.29	5.99	2.29	5.83	2.31
13 + 10 + 10 + 10 + 07	15	14.40	2.92	14.24	2.94	14.08	2.97	14.00	2.98	13.92	2.98	13.76	3.00
	10	13.08	2.81	12.92	2.83	12.76	2.86	12.67	2.86	12.59	2.86	12.43	2.88
	6	12.02	2.72	11.86	2.73	11.70	2.76	11.62	2.77	11.54	2.77	11.37	2.79
	0	10.44	2.58	10.28	2.60	10.12	2.63	10.04	2.63	9.96	2.63	9.80	2.65
	-5	9.12	2.47	8.96	2.49	8.80	2.51	8.72	2.52	8.64	2.52	8.48	2.54
	-10	7.80	2.36	7.64	2.37	7.48	2.40	7.39	2.41	7.31	2.41	7.15	2.42
	-15	6.48	2.25	6.32	2.26	6.16	2.28	6.07	2.29	5.99	2.29	5.83	2.31
16 + 10 + 10 + 10 + 07	15	14.40	2.92	14.24	2.94	14.08	2.97	14.00	2.98	13.92	2.98	13.76	3.00
	10	13.08	2.81	12.92	2.83	12.76	2.86	12.67	2.86	12.59	2.86	12.43	2.88
	6	12.02	2.72	11.86	2.73	11.70	2.76	11.62	2.77	11.54	2.77	11.37	2.79
	0	10.44	2.58	10.28	2.60	10.12	2.63	10.04	2.63	9.96	2.63	9.80	2.65
	-5	9.12	2.47	8.96	2.49	8.80	2.51	8.72	2.52	8.64	2.52	8.48	2.54
	-10	7.80	2.36	7.64	2.37	7.48	2.40	7.39	2.41	7.31	2.41	7.15	2.42
	-15	6.48	2.25	6.32	2.26	6.16	2.28	6.07	2.29	5.99	2.29	5.83	2.31
18 + 10 + 10 + 10 + 07	15	14.40	2.92	14.24	2.94	14.08	2.97	14.00	2.98	13.92	2.98	13.76	3.00
	10	13.08	2.81	12.92	2.83	12.76	2.86	12.67	2.86	12.59	2.86	12.43	2.88
	6	12.02	2.72	11.86	2.73	11.70	2.76	11.62	2.77	11.54	2.77	11.37	2.79
	0	10.44	2.58	10.28	2.60	10.12	2.63	10.04	2.63	9.96	2.63	9.80	2.65
	-5	9.12	2.47	8.96	2.49	8.80	2.51	8.72	2.52	8.64	2.52	8.48	2.54
	-10	7.80	2.36	7.64	2.37	7.48	2.40	7.39	2.41	7.31	2.41	7.15	2.42
	-15	6.48	2.25	6.32	2.26	6.16	2.28	6.07	2.29	5.99	2.29	5.83	2.31
13 + 13 + 10 + 10 + 07	15	14.40	2.92	14.24	2.94	14.08	2.97	14.00	2.98	13.92	2.98	13.76	3.00
	10	13.08	2.81	12.92	2.83	12.76	2.86	12.67	2.86	12.59	2.86	12.43	2.88
	6	12.02	2.72	11.86	2.73	11.70	2.76	11.62	2.77	11.54	2.77	11.37	2.79
	0	10.44	2.58	10.28	2.60	10.12	2.63	10.04	2.63	9.96	2.63	9.80	2.65
	-5	9.12	2.47	8.96	2.49	8.80	2.51	8.72	2.52	8.64	2.52	8.48	2.54
	-10	7.80	2.36	7.64	2.37	7.48	2.40	7.39	2.41	7.31	2.41	7.15	2.42
	-15	6.48	2.25	6.32	2.26	6.16	2.28	6.07	2.29	5.99	2.29	5.83	2.31

Heating

5 - rooms multisplit : 5 - units operation

Indoor units : 16 type + 13 type + 10 type + 10 type + 07 type
 18 type + 13 type + 10 type + 10 type + 07 type
 16 type + 16 type + 10 type + 10 type + 07 type
 13 type + 13 type + 13 type + 10 type + 07 type

16 type + 13 type + 13 type + 10 type + 07 type
 18 type + 13 type + 13 type + 10 type + 07 type
 16 type + 16 type + 13 type + 10 type + 07 type
 13 type + 13 type + 13 type + 13 type + 07 type

TC : Total capacity [kW]
 PI : Power input [kW]

Outdoor unit : RAS-5M34U2AVG-E

Combination (Capacity)	Outdoor air temp. [°C WB]	Indoor air temp. [°C DB]											
		16		18		20		21		22		24	
		TC [kW]	PI [kW]	TC [kW]	PI [kW]	TC [kW]	PI [kW]	TC [kW]	PI [kW]	TC [kW]	PI [kW]	TC [kW]	PI [kW]
16 + 13 + 10 + 10 + 07	15	14.40	2.92	14.24	2.94	14.08	2.97	14.00	2.98	13.92	2.98	13.76	3.00
	10	13.08	2.81	12.92	2.83	12.76	2.86	12.67	2.86	12.59	2.86	12.43	2.88
	6	12.02	2.72	11.86	2.73	11.70	2.76	11.62	2.77	11.54	2.77	11.37	2.79
	0	10.44	2.58	10.28	2.60	10.12	2.63	10.04	2.63	9.96	2.63	9.80	2.65
	-5	9.12	2.47	8.96	2.49	8.80	2.51	8.72	2.52	8.64	2.52	8.48	2.54
	-10	7.80	2.36	7.64	2.37	7.48	2.40	7.39	2.41	7.31	2.41	7.15	2.42
18 + 13 + 10 + 10 + 07	15	14.40	2.92	14.24	2.94	14.08	2.97	14.00	2.98	13.92	2.98	13.76	3.00
	10	13.08	2.81	12.92	2.83	12.76	2.86	12.67	2.86	12.59	2.86	12.43	2.88
	6	12.02	2.72	11.86	2.73	11.70	2.76	11.62	2.77	11.54	2.77	11.37	2.79
	0	10.44	2.58	10.28	2.60	10.12	2.63	10.04	2.63	9.96	2.63	9.80	2.65
	-5	9.12	2.47	8.96	2.49	8.80	2.51	8.72	2.52	8.64	2.52	8.48	2.54
	-10	7.80	2.36	7.64	2.37	7.48	2.40	7.39	2.41	7.31	2.41	7.15	2.42
16 + 16 + 10 + 10 + 07	15	14.40	2.92	14.24	2.94	14.08	2.97	14.00	2.98	13.92	2.98	13.76	3.00
	10	13.08	2.81	12.92	2.83	12.76	2.86	12.67	2.86	12.59	2.86	12.43	2.88
	6	12.02	2.72	11.86	2.73	11.70	2.76	11.62	2.77	11.54	2.77	11.37	2.79
	0	10.44	2.58	10.28	2.60	10.12	2.63	10.04	2.63	9.96	2.63	9.80	2.65
	-5	9.12	2.47	8.96	2.49	8.80	2.51	8.72	2.52	8.64	2.52	8.48	2.54
	-10	7.80	2.36	7.64	2.37	7.48	2.40	7.39	2.41	7.31	2.41	7.15	2.42
13 + 13 + 13 + 10 + 07	15	14.40	2.92	14.24	2.94	14.08	2.97	14.00	2.98	13.92	2.98	13.76	3.00
	10	13.08	2.81	12.92	2.83	12.76	2.86	12.67	2.86	12.59	2.86	12.43	2.88
	6	12.02	2.72	11.86	2.73	11.70	2.76	11.62	2.77	11.54	2.77	11.37	2.79
	0	10.44	2.58	10.28	2.60	10.12	2.63	10.04	2.63	9.96	2.63	9.80	2.65
	-5	9.12	2.47	8.96	2.49	8.80	2.51	8.72	2.52	8.64	2.52	8.48	2.54
	-10	7.80	2.36	7.64	2.37	7.48	2.40	7.39	2.41	7.31	2.41	7.15	2.42
16 + 13 + 13 + 10 + 07	15	14.40	2.92	14.24	2.94	14.08	2.97	14.00	2.98	13.92	2.98	13.76	3.00
	10	13.08	2.81	12.92	2.83	12.76	2.86	12.67	2.86	12.59	2.86	12.43	2.88
	6	12.02	2.72	11.86	2.73	11.70	2.76	11.62	2.77	11.54	2.77	11.37	2.79
	0	10.44	2.58	10.28	2.60	10.12	2.63	10.04	2.63	9.96	2.63	9.80	2.65
	-5	9.12	2.47	8.96	2.49	8.80	2.51	8.72	2.52	8.64	2.52	8.48	2.54
	-10	7.80	2.36	7.64	2.37	7.48	2.40	7.39	2.41	7.31	2.41	7.15	2.42
18 + 13 + 13 + 10 + 07	15	14.40	2.92	14.24	2.94	14.08	2.97	14.00	2.98	13.92	2.98	13.76	3.00
	10	13.08	2.81	12.92	2.83	12.76	2.86	12.67	2.86	12.59	2.86	12.43	2.88
	6	12.02	2.72	11.86	2.73	11.70	2.76	11.62	2.77	11.54	2.77	11.37	2.79
	0	10.44	2.58	10.28	2.60	10.12	2.63	10.04	2.63	9.96	2.63	9.80	2.65
	-5	9.12	2.47	8.96	2.49	8.80	2.51	8.72	2.52	8.64	2.52	8.48	2.54
	-10	7.80	2.36	7.64	2.37	7.48	2.40	7.39	2.41	7.31	2.41	7.15	2.42
16 + 16 + 13 + 10 + 07	15	14.40	2.92	14.24	2.94	14.08	2.97	14.00	2.98	13.92	2.98	13.76	3.00
	10	13.08	2.81	12.92	2.83	12.76	2.86	12.67	2.86	12.59	2.86	12.43	2.88
	6	12.02	2.72	11.86	2.73	11.70	2.76	11.62	2.77	11.54	2.77	11.37	2.79
	0	10.44	2.58	10.28	2.60	10.12	2.63	10.04	2.63	9.96	2.63	9.80	2.65
	-5	9.12	2.47	8.96	2.49	8.80	2.51	8.72	2.52	8.64	2.52	8.48	2.54
	-10	7.80	2.36	7.64	2.37	7.48	2.40	7.39	2.41	7.31	2.41	7.15	2.42
13 + 13 + 13 + 13 + 07	15	14.40	2.92	14.24	2.94	14.08	2.97	14.00	2.98	13.92	2.98	13.76	3.00
	10	13.08	2.81	12.92	2.83	12.76	2.86	12.67	2.86	12.59	2.86	12.43	2.88
	6	12.02	2.72	11.86	2.73	11.70	2.76	11.62	2.77	11.54	2.77	11.37	2.79
	0	10.44	2.58	10.28	2.60	10.12	2.63	10.04	2.63	9.96	2.63	9.80	2.65
	-5	9.12	2.47	8.96	2.49	8.80	2.51	8.72	2.52	8.64	2.52	8.48	2.54
	-10	7.80	2.36	7.64	2.37	7.48	2.40	7.39	2.41	7.31	2.41	7.15	2.42

Heating

5 - rooms multisplit : 5 - units operation

Indoor units : 16 type + 13 type + 13 type + 13 type + 07 type 13 type + 10 type + 10 type + 10 type + 10 type
 18 type + 13 type + 13 type + 13 type + 07 type 16 type + 10 type + 10 type + 10 type + 10 type
 16 type + 16 type + 13 type + 13 type + 07 type 18 type + 10 type + 10 type + 10 type + 10 type
 10 type + 10 type + 10 type + 10 type + 10 type 13 type + 13 type + 10 type + 10 type + 10 type

TC : Total capacity [kW]
 PI : Power input [kW]

Outdoor unit : RAS-5M34U2AVG-E

Combination (Capacity)	Outdoor air temp. [°C WB]	Indoor air temp. [°C DB]											
		16		18		20		21		22		24	
		TC [kW]	PI [kW]	TC [kW]	PI [kW]	TC [kW]	PI [kW]	TC [kW]	PI [kW]	TC [kW]	PI [kW]	TC [kW]	PI [kW]
16 + 13 + 13 + 13 + 07	15	14.40	2.92	14.24	2.94	14.08	2.97	14.00	2.98	13.92	2.98	13.76	3.00
	10	13.08	2.81	12.92	2.83	12.76	2.86	12.67	2.86	12.59	2.86	12.43	2.88
	6	12.02	2.72	11.86	2.73	11.70	2.76	11.62	2.77	11.54	2.77	11.37	2.79
	0	10.44	2.58	10.28	2.60	10.12	2.63	10.04	2.63	9.96	2.63	9.80	2.65
	-5	9.12	2.47	8.96	2.49	8.80	2.51	8.72	2.52	8.64	2.52	8.48	2.54
	-10	7.80	2.36	7.64	2.37	7.48	2.40	7.39	2.41	7.31	2.41	7.15	2.42
	-15	6.48	2.25	6.32	2.26	6.16	2.28	6.07	2.29	5.99	2.29	5.83	2.31
18 + 13 + 13 + 13 + 07	15	14.40	2.92	14.24	2.94	14.08	2.97	14.00	2.98	13.92	2.98	13.76	3.00
	10	13.08	2.81	12.92	2.83	12.76	2.86	12.67	2.86	12.59	2.86	12.43	2.88
	6	12.02	2.72	11.86	2.73	11.70	2.76	11.62	2.77	11.54	2.77	11.37	2.79
	0	10.44	2.58	10.28	2.60	10.12	2.63	10.04	2.63	9.96	2.63	9.80	2.65
	-5	9.12	2.47	8.96	2.49	8.80	2.51	8.72	2.52	8.64	2.52	8.48	2.54
	-10	7.80	2.36	7.64	2.37	7.48	2.40	7.39	2.41	7.31	2.41	7.15	2.42
	-15	6.48	2.25	6.32	2.26	6.16	2.28	6.07	2.29	5.99	2.29	5.83	2.31
16 + 16 + 13 + 13 + 07	15	14.40	2.92	14.24	2.94	14.08	2.97	14.00	2.98	13.92	2.98	13.76	3.00
	10	13.08	2.81	12.92	2.83	12.76	2.86	12.67	2.86	12.59	2.86	12.43	2.88
	6	12.02	2.72	11.86	2.73	11.70	2.76	11.62	2.77	11.54	2.77	11.37	2.79
	0	10.44	2.58	10.28	2.60	10.12	2.63	10.04	2.63	9.96	2.63	9.80	2.65
	-5	9.12	2.47	8.96	2.49	8.80	2.51	8.72	2.52	8.64	2.52	8.48	2.54
	-10	7.80	2.36	7.64	2.37	7.48	2.40	7.39	2.41	7.31	2.41	7.15	2.42
	-15	6.48	2.25	6.32	2.26	6.16	2.28	6.07	2.29	5.99	2.29	5.83	2.31
10 + 10 + 10 + 10 + 10	15	14.40	2.92	14.24	2.94	14.08	2.97	14.00	2.98	13.92	2.98	13.76	3.00
	10	13.08	2.81	12.92	2.83	12.76	2.86	12.67	2.86	12.59	2.86	12.43	2.88
	6	12.02	2.72	11.86	2.73	11.70	2.76	11.62	2.77	11.54	2.77	11.37	2.79
	0	10.44	2.58	10.28	2.60	10.12	2.63	10.04	2.63	9.96	2.63	9.80	2.65
	-5	9.12	2.47	8.96	2.49	8.80	2.51	8.72	2.52	8.64	2.52	8.48	2.54
	-10	7.80	2.36	7.64	2.37	7.48	2.40	7.39	2.41	7.31	2.41	7.15	2.42
	-15	6.48	2.25	6.32	2.26	6.16	2.28	6.07	2.29	5.99	2.29	5.83	2.31
13 + 10 + 10 + 10 + 10	15	14.40	2.92	14.24	2.94	14.08	2.97	14.00	2.98	13.92	2.98	13.76	3.00
	10	13.08	2.81	12.92	2.83	12.76	2.86	12.67	2.86	12.59	2.86	12.43	2.88
	6	12.02	2.72	11.86	2.73	11.70	2.76	11.62	2.77	11.54	2.77	11.37	2.79
	0	10.44	2.58	10.28	2.60	10.12	2.63	10.04	2.63	9.96	2.63	9.80	2.65
	-5	9.12	2.47	8.96	2.49	8.80	2.51	8.72	2.52	8.64	2.52	8.48	2.54
	-10	7.80	2.36	7.64	2.37	7.48	2.40	7.39	2.41	7.31	2.41	7.15	2.42
	-15	6.48	2.25	6.32	2.26	6.16	2.28	6.07	2.29	5.99	2.29	5.83	2.31
16 + 10 + 10 + 10 + 10	15	14.40	2.92	14.24	2.94	14.08	2.97	14.00	2.98	13.92	2.98	13.76	3.00
	10	13.08	2.81	12.92	2.83	12.76	2.86	12.67	2.86	12.59	2.86	12.43	2.88
	6	12.02	2.72	11.86	2.73	11.70	2.76	11.62	2.77	11.54	2.77	11.37	2.79
	0	10.44	2.58	10.28	2.60	10.12	2.63	10.04	2.63	9.96	2.63	9.80	2.65
	-5	9.12	2.47	8.96	2.49	8.80	2.51	8.72	2.52	8.64	2.52	8.48	2.54
	-10	7.80	2.36	7.64	2.37	7.48	2.40	7.39	2.41	7.31	2.41	7.15	2.42
	-15	6.48	2.25	6.32	2.26	6.16	2.28	6.07	2.29	5.99	2.29	5.83	2.31
18 + 10 + 10 + 10 + 10	15	14.40	2.92	14.24	2.94	14.08	2.97	14.00	2.98	13.92	2.98	13.76	3.00
	10	13.08	2.81	12.92	2.83	12.76	2.86	12.67	2.86	12.59	2.86	12.43	2.88
	6	12.02	2.72	11.86	2.73	11.70	2.76	11.62	2.77	11.54	2.77	11.37	2.79
	0	10.44	2.58	10.28	2.60	10.12	2.63	10.04	2.63	9.96	2.63	9.80	2.65
	-5	9.12	2.47	8.96	2.49	8.80	2.51	8.72	2.52	8.64	2.52	8.48	2.54
	-10	7.80	2.36	7.64	2.37	7.48	2.40	7.39	2.41	7.31	2.41	7.15	2.42
	-15	6.48	2.25	6.32	2.26	6.16	2.28	6.07	2.29	5.99	2.29	5.83	2.31
13 + 13 + 10 + 10 + 10	15	14.40	2.92	14.24	2.94	14.08	2.97	14.00	2.98	13.92	2.98	13.76	3.00
	10	13.08	2.81	12.92	2.83	12.76	2.86	12.67	2.86	12.59	2.86	12.43	2.88
	6	12.02	2.72	11.86	2.73	11.70	2.76	11.62	2.77	11.54	2.77	11.37	2.79
	0	10.44	2.58	10.28	2.60	10.12	2.63	10.04	2.63	9.96	2.63	9.80	2.65
	-5	9.12	2.47	8.96	2.49	8.80	2.51	8.72	2.52	8.64	2.52	8.48	2.54
	-10	7.80	2.36	7.64	2.37	7.48	2.40	7.39	2.41	7.31	2.41	7.15	2.42
	-15	6.48	2.25	6.32	2.26	6.16	2.28	6.07	2.29	5.99	2.29	5.83	2.31

Heating

5 - rooms multisplit : 5 - units operation

Indoor units : 16 type + 13 type + 10 type + 10 type + 10 type
 18 type + 13 type + 10 type + 10 type + 10 type
 16 type + 16 type + 10 type + 10 type + 10 type
 13 type + 13 type + 13 type + 10 type + 10 type

16 type + 13 type + 13 type + 10 type + 10 type
 18 type + 13 type + 13 type + 10 type + 10 type
 16 type + 16 type + 13 type + 10 type + 10 type
 13 type + 13 type + 13 type + 13 type + 10 type

TC : Total capacity [kW]
 PI : Power input [kW]

Outdoor unit : RAS-5M34U2AVG-E

Combination (Capacity)	Outdoor air temp. [°C WB]	Indoor air temp. [°C DB]											
		16		18		20		21		22		24	
		TC [kW]	PI [kW]	TC [kW]	PI [kW]	TC [kW]	PI [kW]	TC [kW]	PI [kW]	TC [kW]	PI [kW]	TC [kW]	PI [kW]
16 + 13 + 10 + 10 + 10	15	14.40	2.92	14.24	2.94	14.08	2.97	14.00	2.98	13.92	2.98	13.76	3.00
	10	13.08	2.81	12.92	2.83	12.76	2.86	12.67	2.86	12.59	2.86	12.43	2.88
	6	12.02	2.72	11.86	2.73	11.70	2.76	11.62	2.77	11.54	2.77	11.37	2.79
	0	10.44	2.58	10.28	2.60	10.12	2.63	10.04	2.63	9.96	2.63	9.80	2.65
	-5	9.12	2.47	8.96	2.49	8.80	2.51	8.72	2.52	8.64	2.52	8.48	2.54
	-10	7.80	2.36	7.64	2.37	7.48	2.40	7.39	2.41	7.31	2.41	7.15	2.42
	-15	6.48	2.25	6.32	2.26	6.16	2.28	6.07	2.29	5.99	2.29	5.83	2.31
18 + 13 + 10 + 10 + 10	15	14.40	2.92	14.24	2.94	14.08	2.97	14.00	2.98	13.92	2.98	13.76	3.00
	10	13.08	2.81	12.92	2.83	12.76	2.86	12.67	2.86	12.59	2.86	12.43	2.88
	6	12.02	2.72	11.86	2.73	11.70	2.76	11.62	2.77	11.54	2.77	11.37	2.79
	0	10.44	2.58	10.28	2.60	10.12	2.63	10.04	2.63	9.96	2.63	9.80	2.65
	-5	9.12	2.47	8.96	2.49	8.80	2.51	8.72	2.52	8.64	2.52	8.48	2.54
	-10	7.80	2.36	7.64	2.37	7.48	2.40	7.39	2.41	7.31	2.41	7.15	2.42
	-15	6.48	2.25	6.32	2.26	6.16	2.28	6.07	2.29	5.99	2.29	5.83	2.31
16 + 16 + 10 + 10 + 10	15	14.40	2.92	14.24	2.94	14.08	2.97	14.00	2.98	13.92	2.98	13.76	3.00
	10	13.08	2.81	12.92	2.83	12.76	2.86	12.67	2.86	12.59	2.86	12.43	2.88
	6	12.02	2.72	11.86	2.73	11.70	2.76	11.62	2.77	11.54	2.77	11.37	2.79
	0	10.44	2.58	10.28	2.60	10.12	2.63	10.04	2.63	9.96	2.63	9.80	2.65
	-5	9.12	2.47	8.96	2.49	8.80	2.51	8.72	2.52	8.64	2.52	8.48	2.54
	-10	7.80	2.36	7.64	2.37	7.48	2.40	7.39	2.41	7.31	2.41	7.15	2.42
	-15	6.48	2.25	6.32	2.26	6.16	2.28	6.07	2.29	5.99	2.29	5.83	2.31
13 + 13 + 13 + 10 + 10	15	14.40	2.92	14.24	2.94	14.08	2.97	14.00	2.98	13.92	2.98	13.76	3.00
	10	13.08	2.81	12.92	2.83	12.76	2.86	12.67	2.86	12.59	2.86	12.43	2.88
	6	12.02	2.72	11.86	2.73	11.70	2.76	11.62	2.77	11.54	2.77	11.37	2.79
	0	10.44	2.58	10.28	2.60	10.12	2.63	10.04	2.63	9.96	2.63	9.80	2.65
	-5	9.12	2.47	8.96	2.49	8.80	2.51	8.72	2.52	8.64	2.52	8.48	2.54
	-10	7.80	2.36	7.64	2.37	7.48	2.40	7.39	2.41	7.31	2.41	7.15	2.42
	-15	6.48	2.25	6.32	2.26	6.16	2.28	6.07	2.29	5.99	2.29	5.83	2.31
16 + 13 + 13 + 10 + 10	15	14.40	2.92	14.24	2.94	14.08	2.97	14.00	2.98	13.92	2.98	13.76	3.00
	10	13.08	2.81	12.92	2.83	12.76	2.86	12.67	2.86	12.59	2.86	12.43	2.88
	6	12.02	2.72	11.86	2.73	11.70	2.76	11.62	2.77	11.54	2.77	11.37	2.79
	0	10.44	2.58	10.28	2.60	10.12	2.63	10.04	2.63	9.96	2.63	9.80	2.65
	-5	9.12	2.47	8.96	2.49	8.80	2.51	8.72	2.52	8.64	2.52	8.48	2.54
	-10	7.80	2.36	7.64	2.37	7.48	2.40	7.39	2.41	7.31	2.41	7.15	2.42
	-15	6.48	2.25	6.32	2.26	6.16	2.28	6.07	2.29	5.99	2.29	5.83	2.31
18 + 13 + 13 + 10 + 10	15	14.40	2.92	14.24	2.94	14.08	2.97	14.00	2.98	13.92	2.98	13.76	3.00
	10	13.08	2.81	12.92	2.83	12.76	2.86	12.67	2.86	12.59	2.86	12.43	2.88
	6	12.02	2.72	11.86	2.73	11.70	2.76	11.62	2.77	11.54	2.77	11.37	2.79
	0	10.44	2.58	10.28	2.60	10.12	2.63	10.04	2.63	9.96	2.63	9.80	2.65
	-5	9.12	2.47	8.96	2.49	8.80	2.51	8.72	2.52	8.64	2.52	8.48	2.54
	-10	7.80	2.36	7.64	2.37	7.48	2.40	7.39	2.41	7.31	2.41	7.15	2.42
	-15	6.48	2.25	6.32	2.26	6.16	2.28	6.07	2.29	5.99	2.29	5.83	2.31
16 + 16 + 13 + 10 + 10	15	14.77	3.00	14.60	3.02	14.44	3.05	14.36	3.05	14.27	3.05	14.11	3.07
	10	13.41	2.88	13.25	2.90	13.08	2.93	13.00	2.94	12.92	2.94	12.75	2.96
	6	12.33	2.79	12.16	2.80	12.00	2.83	11.91	2.84	11.83	2.84	11.67	2.86
	0	10.71	2.65	10.54	2.67	10.38	2.69	10.29	2.70	10.21	2.70	10.05	2.72
	-5	9.35	2.54	9.19	2.55	9.02	2.58	8.94	2.58	8.86	2.58	8.69	2.60
	-10	8.00	2.42	7.83	2.44	7.67	2.46	7.58	2.47	7.50	2.47	7.33	2.48
	-15	6.64	2.30	6.48	2.32	6.31	2.34	6.23	2.35	6.15	2.35	5.98	2.36
13 + 13 + 13 + 13 + 10	15	14.40	2.92	14.24	2.94	14.08	2.97	14.00	2.98	13.92	2.98	13.76	3.00
	10	13.08	2.81	12.92	2.83	12.76	2.86	12.67	2.86	12.59	2.86	12.43	2.88
	6	12.02	2.72	11.86	2.73	11.70	2.76	11.62	2.77	11.54	2.77	11.37	2.79
	0	10.44	2.58	10.28	2.60	10.12	2.63	10.04	2.63	9.96	2.63	9.80	2.65
	-5	9.12	2.47	8.96	2.49	8.80	2.51	8.72	2.52	8.64	2.52	8.48	2.54
	-10	7.80	2.36	7.64	2.37	7.48	2.40	7.39	2.41	7.31	2.41	7.15	2.42
	-15	6.48	2.25	6.32	2.26	6.16	2.28	6.07	2.29	5.99	2.29	5.83	2.31

Heating

5 - rooms multisplit : 5 - units operation

Indoor units : 16 type + 13 type + 13 type + 13 type + 10 type
 18 type + 13 type + 13 type + 13 type + 10 type
 16 type + 16 type + 13 type + 13 type + 10 type
 13 type + 13 type + 13 type + 13 type + 13 type

16 type + 13 type + 13 type + 13 type + 13 type
 22 type + 05* type + 05* type + 05* type + 05* type
 24 type + 05* type + 05* type + 05* type + 05* type
 22 type + 07* type + 05* type + 05* type + 05* type

TC : Total capacity [kW]

PI : Power input [kW]

Outdoor unit : RAS-5M34U2AVG-E

*Applicable indoor unit types are "PKV" series and "BKV" series only.

Combination (Capacity)	Outdoor air temp. [°C WB]	Indoor air temp. [°C DB]											
		16		18		20		21		22		24	
		TC [kW]	PI [kW]	TC [kW]	PI [kW]	TC [kW]	PI [kW]	TC [kW]	PI [kW]	TC [kW]	PI [kW]	TC [kW]	PI [kW]
16 + 13 + 13 + 13 + 10	15	14.77	3.00	14.60	3.02	14.44	3.05	14.36	3.05	14.27	3.05	14.11	3.07
	10	13.41	2.88	13.25	2.90	13.08	2.93	13.00	2.94	12.92	2.94	12.75	2.96
	6	12.33	2.79	12.16	2.80	12.00	2.83	11.91	2.84	11.83	2.84	11.67	2.86
	0	10.71	2.65	10.54	2.67	10.38	2.69	10.29	2.70	10.21	2.70	10.05	2.72
	-5	9.35	2.54	9.19	2.55	9.02	2.58	8.94	2.58	8.86	2.58	8.69	2.60
	-10	8.00	2.42	7.83	2.44	7.67	2.46	7.58	2.47	7.50	2.47	7.33	2.48
	-15	6.64	2.30	6.48	2.32	6.31	2.34	6.23	2.35	6.15	2.35	5.98	2.36
18 + 13 + 13 + 13 + 10	15	14.77	3.00	14.60	3.02	14.44	3.05	14.36	3.05	14.27	3.05	14.11	3.07
	10	13.41	2.88	13.25	2.90	13.08	2.93	13.00	2.94	12.92	2.94	12.75	2.96
	6	12.33	2.79	12.16	2.80	12.00	2.83	11.91	2.84	11.83	2.84	11.67	2.86
	0	10.71	2.65	10.54	2.67	10.38	2.69	10.29	2.70	10.21	2.70	10.05	2.72
	-5	9.35	2.54	9.19	2.55	9.02	2.58	8.94	2.58	8.86	2.58	8.69	2.60
	-10	8.00	2.42	7.83	2.44	7.67	2.46	7.58	2.47	7.50	2.47	7.33	2.48
	-15	6.64	2.30	6.48	2.32	6.31	2.34	6.23	2.35	6.15	2.35	5.98	2.36
16 + 16 + 13 + 13 + 10	15	14.77	3.00	14.60	3.02	14.44	3.05	14.36	3.05	14.27	3.05	14.11	3.07
	10	13.41	2.88	13.25	2.90	13.08	2.93	13.00	2.94	12.92	2.94	12.75	2.96
	6	12.33	2.79	12.16	2.80	12.00	2.83	11.91	2.84	11.83	2.84	11.67	2.86
	0	10.71	2.65	10.54	2.67	10.38	2.69	10.29	2.70	10.21	2.70	10.05	2.72
	-5	9.35	2.54	9.19	2.55	9.02	2.58	8.94	2.58	8.86	2.58	8.69	2.60
	-10	8.00	2.42	7.83	2.44	7.67	2.46	7.58	2.47	7.50	2.47	7.33	2.48
	-15	6.64	2.30	6.48	2.32	6.31	2.34	6.23	2.35	6.15	2.35	5.98	2.36
13 + 13 + 13 + 13 + 13	15	14.77	3.00	14.60	3.02	14.44	3.05	14.36	3.05	14.27	3.05	14.11	3.07
	10	13.41	2.88	13.25	2.90	13.08	2.93	13.00	2.94	12.92	2.94	12.75	2.96
	6	12.33	2.79	12.16	2.80	12.00	2.83	11.91	2.84	11.83	2.84	11.67	2.86
	0	10.71	2.65	10.54	2.67	10.38	2.69	10.29	2.70	10.21	2.70	10.05	2.72
	-5	9.35	2.54	9.19	2.55	9.02	2.58	8.94	2.58	8.86	2.58	8.69	2.60
	-10	8.00	2.42	7.83	2.44	7.67	2.46	7.58	2.47	7.50	2.47	7.33	2.48
	-15	6.64	2.30	6.48	2.32	6.31	2.34	6.23	2.35	6.15	2.35	5.98	2.36
16 + 13 + 13 + 13 + 13	15	14.77	3.00	14.60	3.02	14.44	3.05	14.36	3.05	14.27	3.05	14.11	3.07
	10	13.41	2.88	13.25	2.90	13.08	2.93	13.00	2.94	12.92	2.94	12.75	2.96
	6	12.33	2.79	12.16	2.80	12.00	2.83	11.91	2.84	11.83	2.84	11.67	2.86
	0	10.71	2.65	10.54	2.67	10.38	2.69	10.29	2.70	10.21	2.70	10.05	2.72
	-5	9.35	2.54	9.19	2.55	9.02	2.58	8.94	2.58	8.86	2.58	8.69	2.60
	-10	8.00	2.42	7.83	2.44	7.67	2.46	7.58	2.47	7.50	2.47	7.33	2.48
	-15	6.64	2.30	6.48	2.32	6.31	2.34	6.23	2.35	6.15	2.35	5.98	2.36
22 + 05*+05*+05*+05*	15	14.40	2.92	14.24	2.94	14.08	2.97	14.00	2.98	13.92	2.98	13.76	3.00
	10	13.08	2.81	12.92	2.83	12.76	2.86	12.67	2.86	12.59	2.86	12.43	2.88
	6	12.02	2.72	11.86	2.73	11.70	2.76	11.62	2.77	11.54	2.77	11.37	2.79
	0	10.44	2.58	10.28	2.60	10.12	2.63	10.04	2.63	9.96	2.63	9.80	2.65
	-5	9.12	2.47	8.96	2.49	8.80	2.51	8.72	2.52	8.64	2.52	8.48	2.54
	-10	7.80	2.36	7.64	2.37	7.48	2.40	7.39	2.41	7.31	2.41	7.15	2.42
	-15	6.48	2.25	6.32	2.26	6.16	2.28	6.07	2.29	5.99	2.29	5.83	2.31
24 + 05*+05*+05*+05*	15	14.40	2.92	14.24	2.94	14.08	2.97	14.00	2.98	13.92	2.98	13.76	3.00
	10	13.08	2.81	12.92	2.83	12.76	2.86	12.67	2.86	12.59	2.86	12.43	2.88
	6	12.02	2.72	11.86	2.73	11.70	2.76	11.62	2.77	11.54	2.77	11.37	2.79
	0	10.44	2.58	10.28	2.60	10.12	2.63	10.04	2.63	9.96	2.63	9.80	2.65
	-5	9.12	2.47	8.96	2.49	8.80	2.51	8.72	2.52	8.64	2.52	8.48	2.54
	-10	7.80	2.36	7.64	2.37	7.48	2.40	7.39	2.41	7.31	2.41	7.15	2.42
	-15	6.48	2.25	6.32	2.26	6.16	2.28	6.07	2.29	5.99	2.29	5.83	2.31
22 + 07*+05*+05*+05*	15	14.40	2.92	14.24	2.94	14.08	2.97	14.00	2.98	13.92	2.98	13.76	3.00
	10	13.08	2.81	12.92	2.83	12.76	2.86	12.67	2.86	12.59	2.86	12.43	2.88
	6	12.02	2.72	11.86	2.73	11.70	2.76	11.62	2.77	11.54	2.77	11.37	2.79
	0	10.44	2.58	10.28	2.60	10.12	2.63	10.04	2.63	9.96	2.63	9.80	2.65
	-5	9.12	2.47	8.96	2.49	8.80	2.51	8.72	2.52	8.64	2.52	8.48	2.54
	-10	7.80	2.36	7.64	2.37	7.48	2.40	7.39	2.41	7.31	2.41	7.15	2.42
	-15	6.48	2.25	6.32	2.26	6.16	2.28	6.07	2.29	5.99	2.29	5.83	2.31

Heating

5 - rooms multisplit : 5 - units operation

Indoor units : 24 type + 07* type + 05* type + 05* type + 05* type 24 type + 13* type + 05* type + 05* type + 05* type
 22 type + 10* type + 05* type + 05* type + 05* type 22 type + 07* type + 07* type + 05* type + 05* type
 24 type + 10* type + 05* type + 05* type + 05* type 24 type + 07* type + 07* type + 05* type + 05* type
 22 type + 13* type + 05* type + 05* type + 05* type 22 type + 10* type + 07* type + 05* type + 05* type

TC : Total capacity [kW]

PI : Power input [kW]

Outdoor unit : RAS-5M34U2AVG-E *Applicable indoor unit types are "PKV" series and "BKV" series only.

Combination (Capacity)	Outdoor air temp. [°C WB]	Indoor air temp. [°C DB]											
		16		18		20		21		22		24	
		TC [kW]	PI [kW]	TC [kW]	PI [kW]	TC [kW]	PI [kW]	TC [kW]	PI [kW]	TC [kW]	PI [kW]	TC [kW]	PI [kW]
24 + 07*+05*+05*+05*	15	14.40	2.92	14.24	2.94	14.08	2.97	14.00	2.98	13.92	2.98	13.76	3.00
	10	13.08	2.81	12.92	2.83	12.76	2.86	12.67	2.86	12.59	2.86	12.43	2.88
	6	12.02	2.72	11.86	2.73	11.70	2.76	11.62	2.77	11.54	2.77	11.37	2.79
	0	10.44	2.58	10.28	2.60	10.12	2.63	10.04	2.63	9.96	2.63	9.80	2.65
	-5	9.12	2.47	8.96	2.49	8.80	2.51	8.72	2.52	8.64	2.52	8.48	2.54
	-10	7.80	2.36	7.64	2.37	7.48	2.40	7.39	2.41	7.31	2.41	7.15	2.42
	-15	6.48	2.25	6.32	2.26	6.16	2.28	6.07	2.29	5.99	2.29	5.83	2.31
22 + 10*+05*+05*+05*	15	14.40	2.92	14.24	2.94	14.08	2.97	14.00	2.98	13.92	2.98	13.76	3.00
	10	13.08	2.81	12.92	2.83	12.76	2.86	12.67	2.86	12.59	2.86	12.43	2.88
	6	12.02	2.72	11.86	2.73	11.70	2.76	11.62	2.77	11.54	2.77	11.37	2.79
	0	10.44	2.58	10.28	2.60	10.12	2.63	10.04	2.63	9.96	2.63	9.80	2.65
	-5	9.12	2.47	8.96	2.49	8.80	2.51	8.72	2.52	8.64	2.52	8.48	2.54
	-10	7.80	2.36	7.64	2.37	7.48	2.40	7.39	2.41	7.31	2.41	7.15	2.42
	-15	6.48	2.25	6.32	2.26	6.16	2.28	6.07	2.29	5.99	2.29	5.83	2.31
24 + 10*+05*+05*+05*	15	14.40	2.92	14.24	2.94	14.08	2.97	14.00	2.98	13.92	2.98	13.76	3.00
	10	13.08	2.81	12.92	2.83	12.76	2.86	12.67	2.86	12.59	2.86	12.43	2.88
	6	12.02	2.72	11.86	2.73	11.70	2.76	11.62	2.77	11.54	2.77	11.37	2.79
	0	10.44	2.58	10.28	2.60	10.12	2.63	10.04	2.63	9.96	2.63	9.80	2.65
	-5	9.12	2.47	8.96	2.49	8.80	2.51	8.72	2.52	8.64	2.52	8.48	2.54
	-10	7.80	2.36	7.64	2.37	7.48	2.40	7.39	2.41	7.31	2.41	7.15	2.42
	-15	6.48	2.25	6.32	2.26	6.16	2.28	6.07	2.29	5.99	2.29	5.83	2.31
22 + 13*+05*+05*+05*	15	14.40	2.92	14.24	2.94	14.08	2.97	14.00	2.98	13.92	2.98	13.76	3.00
	10	13.08	2.81	12.92	2.83	12.76	2.86	12.67	2.86	12.59	2.86	12.43	2.88
	6	12.02	2.72	11.86	2.73	11.70	2.76	11.62	2.77	11.54	2.77	11.37	2.79
	0	10.44	2.58	10.28	2.60	10.12	2.63	10.04	2.63	9.96	2.63	9.80	2.65
	-5	9.12	2.47	8.96	2.49	8.80	2.51	8.72	2.52	8.64	2.52	8.48	2.54
	-10	7.80	2.36	7.64	2.37	7.48	2.40	7.39	2.41	7.31	2.41	7.15	2.42
	-15	6.48	2.25	6.32	2.26	6.16	2.28	6.07	2.29	5.99	2.29	5.83	2.31
24 + 13*+05*+05*+05*	15	14.40	2.92	14.24	2.94	14.08	2.97	14.00	2.98	13.92	2.98	13.76	3.00
	10	13.08	2.81	12.92	2.83	12.76	2.86	12.67	2.86	12.59	2.86	12.43	2.88
	6	12.02	2.72	11.86	2.73	11.70	2.76	11.62	2.77	11.54	2.77	11.37	2.79
	0	10.44	2.58	10.28	2.60	10.12	2.63	10.04	2.63	9.96	2.63	9.80	2.65
	-5	9.12	2.47	8.96	2.49	8.80	2.51	8.72	2.52	8.64	2.52	8.48	2.54
	-10	7.80	2.36	7.64	2.37	7.48	2.40	7.39	2.41	7.31	2.41	7.15	2.42
	-15	6.48	2.25	6.32	2.26	6.16	2.28	6.07	2.29	5.99	2.29	5.83	2.31
22 + 07*+07*+05*+05*	15	14.40	2.92	14.24	2.94	14.08	2.97	14.00	2.98	13.92	2.98	13.76	3.00
	10	13.08	2.81	12.92	2.83	12.76	2.86	12.67	2.86	12.59	2.86	12.43	2.88
	6	12.02	2.72	11.86	2.73	11.70	2.76	11.62	2.77	11.54	2.77	11.37	2.79
	0	10.44	2.58	10.28	2.60	10.12	2.63	10.04	2.63	9.96	2.63	9.80	2.65
	-5	9.12	2.47	8.96	2.49	8.80	2.51	8.72	2.52	8.64	2.52	8.48	2.54
	-10	7.80	2.36	7.64	2.37	7.48	2.40	7.39	2.41	7.31	2.41	7.15	2.42
	-15	6.48	2.25	6.32	2.26	6.16	2.28	6.07	2.29	5.99	2.29	5.83	2.31
24 + 07*+07*+05*+05*	15	14.40	2.92	14.24	2.94	14.08	2.97	14.00	2.98	13.92	2.98	13.76	3.00
	10	13.08	2.81	12.92	2.83	12.76	2.86	12.67	2.86	12.59	2.86	12.43	2.88
	6	12.02	2.72	11.86	2.73	11.70	2.76	11.62	2.77	11.54	2.77	11.37	2.79
	0	10.44	2.58	10.28	2.60	10.12	2.63	10.04	2.63	9.96	2.63	9.80	2.65
	-5	9.12	2.47	8.96	2.49	8.80	2.51	8.72	2.52	8.64	2.52	8.48	2.54
	-10	7.80	2.36	7.64	2.37	7.48	2.40	7.39	2.41	7.31	2.41	7.15	2.42
	-15	6.48	2.25	6.32	2.26	6.16	2.28	6.07	2.29	5.99	2.29	5.83	2.31
22 + 10*+07*+05*+05*	15	14.40	2.92	14.24	2.94	14.08	2.97	14.00	2.98	13.92	2.98	13.76	3.00
	10	13.08	2.81	12.92	2.83	12.76	2.86	12.67	2.86	12.59	2.86	12.43	2.88
	6	12.02	2.72	11.86	2.73	11.70	2.76	11.62	2.77	11.54	2.77	11.37	2.79
	0	10.44	2.58	10.28	2.60	10.12	2.63	10.04	2.63	9.96	2.63	9.80	2.65
	-5	9.12	2.47	8.96	2.49	8.80	2.51	8.72	2.52	8.64	2.52	8.48	2.54
	-10	7.80	2.36	7.64	2.37	7.48	2.40	7.39	2.41	7.31	2.41	7.15	2.42
	-15	6.48	2.25	6.32	2.26	6.16	2.28	6.07	2.29	5.99	2.29	5.83	2.31

Heating

5 - rooms multisplit : 5 - units operation

Indoor units : 24 type + 10* type + 07* type + 05* type + 05* type
 22 type + 13* type + 07* type + 05* type + 05* type
 24 type + 13* type + 07* type + 05* type + 05* type
 22 type + 10* type + 10* type + 05* type + 05* type

24 type + 10* type + 10* type + 05* type + 05* type
 22 type + 13* type + 10* type + 05* type + 05* type
 24 type + 13* type + 10* type + 05* type + 05* type
 22 type + 13* type + 10* type + 05* type + 05* type

TC : Total capacity [kW]
 PI : Power input [kW]

Outdoor unit : RAS-5M34U2AVG-E

*Applicable indoor unit types are "PKV" series and "BKV" series only.

Combination (Capacity)	Outdoor air temp. [°C WB]	Indoor air temp. [°C DB]											
		16		18		20		21		22		24	
		TC [kW]	PI [kW]	TC [kW]	PI [kW]	TC [kW]	PI [kW]	TC [kW]	PI [kW]	TC [kW]	PI [kW]	TC [kW]	PI [kW]
24 + 10*+07*+05*+05*	15	14.40	2.92	14.24	2.94	14.08	2.97	14.00	2.98	13.92	2.98	13.76	3.00
	10	13.08	2.81	12.92	2.83	12.76	2.86	12.67	2.86	12.59	2.86	12.43	2.88
	6	12.02	2.72	11.86	2.73	11.70	2.76	11.62	2.77	11.54	2.77	11.37	2.79
	0	10.44	2.58	10.28	2.60	10.12	2.63	10.04	2.63	9.96	2.63	9.80	2.65
	-5	9.12	2.47	8.96	2.49	8.80	2.51	8.72	2.52	8.64	2.52	8.48	2.54
	-10	7.80	2.36	7.64	2.37	7.48	2.40	7.39	2.41	7.31	2.41	7.15	2.42
	-15	6.48	2.25	6.32	2.26	6.16	2.28	6.07	2.29	5.99	2.29	5.83	2.31
22 + 13*+07*+05*+05*	15	14.40	2.92	14.24	2.94	14.08	2.97	14.00	2.98	13.92	2.98	13.76	3.00
	10	13.08	2.81	12.92	2.83	12.76	2.86	12.67	2.86	12.59	2.86	12.43	2.88
	6	12.02	2.72	11.86	2.73	11.70	2.76	11.62	2.77	11.54	2.77	11.37	2.79
	0	10.44	2.58	10.28	2.60	10.12	2.63	10.04	2.63	9.96	2.63	9.80	2.65
	-5	9.12	2.47	8.96	2.49	8.80	2.51	8.72	2.52	8.64	2.52	8.48	2.54
	-10	7.80	2.36	7.64	2.37	7.48	2.40	7.39	2.41	7.31	2.41	7.15	2.42
	-15	6.48	2.25	6.32	2.26	6.16	2.28	6.07	2.29	5.99	2.29	5.83	2.31
24 + 13*+07*+05*+05*	15	14.40	2.92	14.24	2.94	14.08	2.97	14.00	2.98	13.92	2.98	13.76	3.00
	10	13.08	2.81	12.92	2.83	12.76	2.86	12.67	2.86	12.59	2.86	12.43	2.88
	6	12.02	2.72	11.86	2.73	11.70	2.76	11.62	2.77	11.54	2.77	11.37	2.79
	0	10.44	2.58	10.28	2.60	10.12	2.63	10.04	2.63	9.96	2.63	9.80	2.65
	-5	9.12	2.47	8.96	2.49	8.80	2.51	8.72	2.52	8.64	2.52	8.48	2.54
	-10	7.80	2.36	7.64	2.37	7.48	2.40	7.39	2.41	7.31	2.41	7.15	2.42
	-15	6.48	2.25	6.32	2.26	6.16	2.28	6.07	2.29	5.99	2.29	5.83	2.31
22 + 10*+10*+05*+05*	15	14.40	2.92	14.24	2.94	14.08	2.97	14.00	2.98	13.92	2.98	13.76	3.00
	10	13.08	2.81	12.92	2.83	12.76	2.86	12.67	2.86	12.59	2.86	12.43	2.88
	6	12.02	2.72	11.86	2.73	11.70	2.76	11.62	2.77	11.54	2.77	11.37	2.79
	0	10.44	2.58	10.28	2.60	10.12	2.63	10.04	2.63	9.96	2.63	9.80	2.65
	-5	9.12	2.47	8.96	2.49	8.80	2.51	8.72	2.52	8.64	2.52	8.48	2.54
	-10	7.80	2.36	7.64	2.37	7.48	2.40	7.39	2.41	7.31	2.41	7.15	2.42
	-15	6.48	2.25	6.32	2.26	6.16	2.28	6.07	2.29	5.99	2.29	5.83	2.31
24 + 10*+10*+05*+05*	15	14.40	2.92	14.24	2.94	14.08	2.97	14.00	2.98	13.92	2.98	13.76	3.00
	10	13.08	2.81	12.92	2.83	12.76	2.86	12.67	2.86	12.59	2.86	12.43	2.88
	6	12.02	2.72	11.86	2.73	11.70	2.76	11.62	2.77	11.54	2.77	11.37	2.79
	0	10.44	2.58	10.28	2.60	10.12	2.63	10.04	2.63	9.96	2.63	9.80	2.65
	-5	9.12	2.47	8.96	2.49	8.80	2.51	8.72	2.52	8.64	2.52	8.48	2.54
	-10	7.80	2.36	7.64	2.37	7.48	2.40	7.39	2.41	7.31	2.41	7.15	2.42
	-15	6.48	2.25	6.32	2.26	6.16	2.28	6.07	2.29	5.99	2.29	5.83	2.31
22 + 13*+10*+05*+05*	15	14.40	2.92	14.24	2.94	14.08	2.97	14.00	2.98	13.92	2.98	13.76	3.00
	10	13.08	2.81	12.92	2.83	12.76	2.86	12.67	2.86	12.59	2.86	12.43	2.88
	6	12.02	2.72	11.86	2.73	11.70	2.76	11.62	2.77	11.54	2.77	11.37	2.79
	0	10.44	2.58	10.28	2.60	10.12	2.63	10.04	2.63	9.96	2.63	9.80	2.65
	-5	9.12	2.47	8.96	2.49	8.80	2.51	8.72	2.52	8.64	2.52	8.48	2.54
	-10	7.80	2.36	7.64	2.37	7.48	2.40	7.39	2.41	7.31	2.41	7.15	2.42
	-15	6.48	2.25	6.32	2.26	6.16	2.28	6.07	2.29	5.99	2.29	5.83	2.31
24 + 13*+10*+05*+05*	15	14.40	2.92	14.24	2.94	14.08	2.97	14.00	2.98	13.92	2.98	13.76	3.00
	10	13.08	2.81	12.92	2.83	12.76	2.86	12.67	2.86	12.59	2.86	12.43	2.88
	6	12.02	2.72	11.86	2.73	11.70	2.76	11.62	2.77	11.54	2.77	11.37	2.79
	0	10.44	2.58	10.28	2.60	10.12	2.63	10.04	2.63	9.96	2.63	9.80	2.65
	-5	9.12	2.47	8.96	2.49	8.80	2.51	8.72	2.52	8.64	2.52	8.48	2.54
	-10	7.80	2.36	7.64	2.37	7.48	2.40	7.39	2.41	7.31	2.41	7.15	2.42
	-15	6.48	2.25	6.32	2.26	6.16	2.28	6.07	2.29	5.99	2.29	5.83	2.31
22 + 13*+13*+05*+05*	15	14.40	2.92	14.24	2.94	14.08	2.97	14.00	2.98	13.92	2.98	13.76	3.00
	10	13.08	2.81	12.92	2.83	12.76	2.86	12.67	2.86	12.59	2.86	12.43	2.88
	6	12.02	2.72	11.86	2.73	11.70	2.76	11.62	2.77	11.54	2.77	11.37	2.79
	0	10.44	2.58	10.28	2.60	10.12	2.63	10.04	2.63	9.96	2.63	9.80	2.65
	-5	9.12	2.47	8.96	2.49	8.80	2.51	8.72	2.52	8.64	2.52	8.48	2.54
	-10	7.80	2.36	7.64	2.37	7.48	2.40	7.39	2.41	7.31	2.41	7.15	2.42
	-15	6.48	2.25	6.32	2.26	6.16	2.28	6.07	2.29	5.99	2.29	5.83	2.31

Heating

5 - rooms multisplit : 5 - units operation

Indoor units : 24 type + 13* type + 13* type + 05* type + 05* type
 22 type + 07* type + 07* type + 07* type + 05* type
 24 type + 07* type + 07* type + 07* type + 05* type
 22 type + 10* type + 07* type + 07* type + 05* type

24 type + 10* type + 07* type + 05* type + 05* type
 22 type + 13* type + 07* type + 07* type + 05* type
 24 type + 13* type + 07* type + 07* type + 05* type
 22 type + 10* type + 10* type + 07* type + 05* type

TC : Total capacity [kW]
 PI : Power input [kW]

Outdoor unit : RAS-5M34U2AVG-E

*Applicable indoor unit types are "PKV" series and "BKV" series only.

Combination (Capacity)	Outdoor air temp. [°C WB]	Indoor air temp. [°C DB]											
		16		18		20		21		22		24	
		TC [kW]	PI [kW]	TC [kW]	PI [kW]	TC [kW]	PI [kW]	TC [kW]	PI [kW]	TC [kW]	PI [kW]	TC [kW]	PI [kW]
24 + 13*+13*+05*+05*	15	14.40	2.92	14.24	2.94	14.08	2.97	14.00	2.98	13.92	2.98	13.76	3.00
	10	13.08	2.81	12.92	2.83	12.76	2.86	12.67	2.86	12.59	2.86	12.43	2.88
	6	12.02	2.72	11.86	2.73	11.70	2.76	11.62	2.77	11.54	2.77	11.37	2.79
	0	10.44	2.58	10.28	2.60	10.12	2.63	10.04	2.63	9.96	2.63	9.80	2.65
	-5	9.12	2.47	8.96	2.49	8.80	2.51	8.72	2.52	8.64	2.52	8.48	2.54
	-10	7.80	2.36	7.64	2.37	7.48	2.40	7.39	2.41	7.31	2.41	7.15	2.42
	-15	6.48	2.25	6.32	2.26	6.16	2.28	6.07	2.29	5.99	2.29	5.83	2.31
22 + 07*+07*+07*+05*	15	14.40	2.92	14.24	2.94	14.08	2.97	14.00	2.98	13.92	2.98	13.76	3.00
	10	13.08	2.81	12.92	2.83	12.76	2.86	12.67	2.86	12.59	2.86	12.43	2.88
	6	12.02	2.72	11.86	2.73	11.70	2.76	11.62	2.77	11.54	2.77	11.37	2.79
	0	10.44	2.58	10.28	2.60	10.12	2.63	10.04	2.63	9.96	2.63	9.80	2.65
	-5	9.12	2.47	8.96	2.49	8.80	2.51	8.72	2.52	8.64	2.52	8.48	2.54
	-10	7.80	2.36	7.64	2.37	7.48	2.40	7.39	2.41	7.31	2.41	7.15	2.42
	-15	6.48	2.25	6.32	2.26	6.16	2.28	6.07	2.29	5.99	2.29	5.83	2.31
24 + 07*+07*+07*+05*	15	14.40	2.92	14.24	2.94	14.08	2.97	14.00	2.98	13.92	2.98	13.76	3.00
	10	13.08	2.81	12.92	2.83	12.76	2.86	12.67	2.86	12.59	2.86	12.43	2.88
	6	12.02	2.72	11.86	2.73	11.70	2.76	11.62	2.77	11.54	2.77	11.37	2.79
	0	10.44	2.58	10.28	2.60	10.12	2.63	10.04	2.63	9.96	2.63	9.80	2.65
	-5	9.12	2.47	8.96	2.49	8.80	2.51	8.72	2.52	8.64	2.52	8.48	2.54
	-10	7.80	2.36	7.64	2.37	7.48	2.40	7.39	2.41	7.31	2.41	7.15	2.42
	-15	6.48	2.25	6.32	2.26	6.16	2.28	6.07	2.29	5.99	2.29	5.83	2.31
22 + 10*+07*+07*+05*	15	14.40	2.92	14.24	2.94	14.08	2.97	14.00	2.98	13.92	2.98	13.76	3.00
	10	13.08	2.81	12.92	2.83	12.76	2.86	12.67	2.86	12.59	2.86	12.43	2.88
	6	12.02	2.72	11.86	2.73	11.70	2.76	11.62	2.77	11.54	2.77	11.37	2.79
	0	10.44	2.58	10.28	2.60	10.12	2.63	10.04	2.63	9.96	2.63	9.80	2.65
	-5	9.12	2.47	8.96	2.49	8.80	2.51	8.72	2.52	8.64	2.52	8.48	2.54
	-10	7.80	2.36	7.64	2.37	7.48	2.40	7.39	2.41	7.31	2.41	7.15	2.42
	-15	6.48	2.25	6.32	2.26	6.16	2.28	6.07	2.29	5.99	2.29	5.83	2.31
24 + 10*+07*+07*+05*	15	14.40	2.92	14.24	2.94	14.08	2.97	14.00	2.98	13.92	2.98	13.76	3.00
	10	13.08	2.81	12.92	2.83	12.76	2.86	12.67	2.86	12.59	2.86	12.43	2.88
	6	12.02	2.72	11.86	2.73	11.70	2.76	11.62	2.77	11.54	2.77	11.37	2.79
	0	10.44	2.58	10.28	2.60	10.12	2.63	10.04	2.63	9.96	2.63	9.80	2.65
	-5	9.12	2.47	8.96	2.49	8.80	2.51	8.72	2.52	8.64	2.52	8.48	2.54
	-10	7.80	2.36	7.64	2.37	7.48	2.40	7.39	2.41	7.31	2.41	7.15	2.42
	-15	6.48	2.25	6.32	2.26	6.16	2.28	6.07	2.29	5.99	2.29	5.83	2.31
22 + 13*+07*+07*+05*	15	14.40	2.92	14.24	2.94	14.08	2.97	14.00	2.98	13.92	2.98	13.76	3.00
	10	13.08	2.81	12.92	2.83	12.76	2.86	12.67	2.86	12.59	2.86	12.43	2.88
	6	12.02	2.72	11.86	2.73	11.70	2.76	11.62	2.77	11.54	2.77	11.37	2.79
	0	10.44	2.58	10.28	2.60	10.12	2.63	10.04	2.63	9.96	2.63	9.80	2.65
	-5	9.12	2.47	8.96	2.49	8.80	2.51	8.72	2.52	8.64	2.52	8.48	2.54
	-10	7.80	2.36	7.64	2.37	7.48	2.40	7.39	2.41	7.31	2.41	7.15	2.42
	-15	6.48	2.25	6.32	2.26	6.16	2.28	6.07	2.29	5.99	2.29	5.83	2.31
24 + 13*+07*+07*+05*	15	14.40	2.92	14.24	2.94	14.08	2.97	14.00	2.98	13.92	2.98	13.76	3.00
	10	13.08	2.81	12.92	2.83	12.76	2.86	12.67	2.86	12.59	2.86	12.43	2.88
	6	12.02	2.72	11.86	2.73	11.70	2.76	11.62	2.77	11.54	2.77	11.37	2.79
	0	10.44	2.58	10.28	2.60	10.12	2.63	10.04	2.63	9.96	2.63	9.80	2.65
	-5	9.12	2.47	8.96	2.49	8.80	2.51	8.72	2.52	8.64	2.52	8.48	2.54
	-10	7.80	2.36	7.64	2.37	7.48	2.40	7.39	2.41	7.31	2.41	7.15	2.42
	-15	6.48	2.25	6.32	2.26	6.16	2.28	6.07	2.29	5.99	2.29	5.83	2.31
22 + 10*+10*+07*+05*	15	14.40	2.92	14.24	2.94	14.08	2.97	14.00	2.98	13.92	2.98	13.76	3.00
	10	13.08	2.81	12.92	2.83	12.76	2.86	12.67	2.86	12.59	2.86	12.43	2.88
	6	12.02	2.72	11.86	2.73	11.70	2.76	11.62	2.77	11.54	2.77	11.37	2.79
	0	10.44	2.58	10.28	2.60	10.12	2.63	10.04	2.63	9.96	2.63	9.80	2.65
	-5	9.12	2.47	8.96	2.49	8.80	2.51	8.72	2.52	8.64	2.52	8.48	2.54
	-10	7.80	2.36	7.64	2.37	7.48	2.40	7.39	2.41	7.31	2.41	7.15	2.42
	-15	6.48	2.25	6.32	2.26	6.16	2.28	6.07	2.29	5.99	2.29	5.83	2.31

Heating

5 - rooms multisplit : 5 - units operation

Indoor units : 24 type + 10* type + 10* type + 07* type + 05* type 24 type + 13* type + 13* type + 05* type + 05* type
 22 type + 13* type + 10* type + 07* type + 05* type 22 type + 10* type + 10* type + 10* type + 05* type
 24 type + 13* type + 10* type + 07* type + 05* type 24 type + 10* type + 10* type + 10* type + 05* type
 22 type + 13* type + 13* type + 07* type + 05* type 22 type + 13* type + 10* type + 10* type + 05* type

TC : Total capacity [kW]

PI : Power input [kW]

Outdoor unit : RAS-5M34U2AVG-E *Applicable indoor unit types are "PKV" series and "BKV" series only.

Combination (Capacity)	Outdoor air temp. [°C WB]	Indoor air temp. [°C DB]											
		16		18		20		21		22		24	
		TC [kW]	PI [kW]	TC [kW]	PI [kW]	TC [kW]	PI [kW]	TC [kW]	PI [kW]	TC [kW]	PI [kW]	TC [kW]	PI [kW]
24 + 10*+10*+07*+05*	15	14.40	2.92	14.24	2.94	14.08	2.97	14.00	2.98	13.92	2.98	13.76	3.00
	10	13.08	2.81	12.92	2.83	12.76	2.86	12.67	2.86	12.59	2.86	12.43	2.88
	6	12.02	2.72	11.86	2.73	11.70	2.76	11.62	2.77	11.54	2.77	11.37	2.79
	0	10.44	2.58	10.28	2.60	10.12	2.63	10.04	2.63	9.96	2.63	9.80	2.65
	-5	9.12	2.47	8.96	2.49	8.80	2.51	8.72	2.52	8.64	2.52	8.48	2.54
	-10	7.80	2.36	7.64	2.37	7.48	2.40	7.39	2.41	7.31	2.41	7.15	2.42
	-15	6.48	2.25	6.32	2.26	6.16	2.28	6.07	2.29	5.99	2.29	5.83	2.31
22 + 13*+10*+07*+05*	15	14.40	2.92	14.24	2.94	14.08	2.97	14.00	2.98	13.92	2.98	13.76	3.00
	10	13.08	2.81	12.92	2.83	12.76	2.86	12.67	2.86	12.59	2.86	12.43	2.88
	6	12.02	2.72	11.86	2.73	11.70	2.76	11.62	2.77	11.54	2.77	11.37	2.79
	0	10.44	2.58	10.28	2.60	10.12	2.63	10.04	2.63	9.96	2.63	9.80	2.65
	-5	9.12	2.47	8.96	2.49	8.80	2.51	8.72	2.52	8.64	2.52	8.48	2.54
	-10	7.80	2.36	7.64	2.37	7.48	2.40	7.39	2.41	7.31	2.41	7.15	2.42
	-15	6.48	2.25	6.32	2.26	6.16	2.28	6.07	2.29	5.99	2.29	5.83	2.31
24 + 13*+10*+07*+05*	15	14.40	2.92	14.24	2.94	14.08	2.97	14.00	2.98	13.92	2.98	13.76	3.00
	10	13.08	2.81	12.92	2.83	12.76	2.86	12.67	2.86	12.59	2.86	12.43	2.88
	6	12.02	2.72	11.86	2.73	11.70	2.76	11.62	2.77	11.54	2.77	11.37	2.79
	0	10.44	2.58	10.28	2.60	10.12	2.63	10.04	2.63	9.96	2.63	9.80	2.65
	-5	9.12	2.47	8.96	2.49	8.80	2.51	8.72	2.52	8.64	2.52	8.48	2.54
	-10	7.80	2.36	7.64	2.37	7.48	2.40	7.39	2.41	7.31	2.41	7.15	2.42
	-15	6.48	2.25	6.32	2.26	6.16	2.28	6.07	2.29	5.99	2.29	5.83	2.31
22 + 13*+13*+07*+05*	15	14.40	2.92	14.24	2.94	14.08	2.97	14.00	2.98	13.92	2.98	13.76	3.00
	10	13.08	2.81	12.92	2.83	12.76	2.86	12.67	2.86	12.59	2.86	12.43	2.88
	6	12.02	2.72	11.86	2.73	11.70	2.76	11.62	2.77	11.54	2.77	11.37	2.79
	0	10.44	2.58	10.28	2.60	10.12	2.63	10.04	2.63	9.96	2.63	9.80	2.65
	-5	9.12	2.47	8.96	2.49	8.80	2.51	8.72	2.52	8.64	2.52	8.48	2.54
	-10	7.80	2.36	7.64	2.37	7.48	2.40	7.39	2.41	7.31	2.41	7.15	2.42
	-15	6.48	2.25	6.32	2.26	6.16	2.28	6.07	2.29	5.99	2.29	5.83	2.31
24 + 13*+13*+07*+05*	15	14.40	2.92	14.24	2.94	14.08	2.97	14.00	2.98	13.92	2.98	13.76	3.00
	10	13.08	2.81	12.92	2.83	12.76	2.86	12.67	2.86	12.59	2.86	12.43	2.88
	6	12.02	2.72	11.86	2.73	11.70	2.76	11.62	2.77	11.54	2.77	11.37	2.79
	0	10.44	2.58	10.28	2.60	10.12	2.63	10.04	2.63	9.96	2.63	9.80	2.65
	-5	9.12	2.47	8.96	2.49	8.80	2.51	8.72	2.52	8.64	2.52	8.48	2.54
	-10	7.80	2.36	7.64	2.37	7.48	2.40	7.39	2.41	7.31	2.41	7.15	2.42
	-15	6.48	2.25	6.32	2.26	6.16	2.28	6.07	2.29	5.99	2.29	5.83	2.31
22 + 10*+10*+10*+05*	15	14.40	2.92	14.24	2.94	14.08	2.97	14.00	2.98	13.92	2.98	13.76	3.00
	10	13.08	2.81	12.92	2.83	12.76	2.86	12.67	2.86	12.59	2.86	12.43	2.88
	6	12.02	2.72	11.86	2.73	11.70	2.76	11.62	2.77	11.54	2.77	11.37	2.79
	0	10.44	2.58	10.28	2.60	10.12	2.63	10.04	2.63	9.96	2.63	9.80	2.65
	-5	9.12	2.47	8.96	2.49	8.80	2.51	8.72	2.52	8.64	2.52	8.48	2.54
	-10	7.80	2.36	7.64	2.37	7.48	2.40	7.39	2.41	7.31	2.41	7.15	2.42
	-15	6.48	2.25	6.32	2.26	6.16	2.28	6.07	2.29	5.99	2.29	5.83	2.31
24 + 10*+10*+10*+05*	15	14.40	2.92	14.24	2.94	14.08	2.97	14.00	2.98	13.92	2.98	13.76	3.00
	10	13.08	2.81	12.92	2.83	12.76	2.86	12.67	2.86	12.59	2.86	12.43	2.88
	6	12.02	2.72	11.86	2.73	11.70	2.76	11.62	2.77	11.54	2.77	11.37	2.79
	0	10.44	2.58	10.28	2.60	10.12	2.63	10.04	2.63	9.96	2.63	9.80	2.65
	-5	9.12	2.47	8.96	2.49	8.80	2.51	8.72	2.52	8.64	2.52	8.48	2.54
	-10	7.80	2.36	7.64	2.37	7.48	2.40	7.39	2.41	7.31	2.41	7.15	2.42
	-15	6.48	2.25	6.32	2.26	6.16	2.28	6.07	2.29	5.99	2.29	5.83	2.31
22 + 13*+10*+10*+05*	15	14.40	2.92	14.24	2.94	14.08	2.97	14.00	2.98	13.92	2.98	13.76	3.00
	10	13.08	2.81	12.92	2.83	12.76	2.86	12.67	2.86	12.59	2.86	12.43	2.88
	6	12.02	2.72	11.86	2.73	11.70	2.76	11.62	2.77	11.54	2.77	11.37	2.79
	0	10.44	2.58	10.28	2.60	10.12	2.63	10.04	2.63	9.96	2.63	9.80	2.65
	-5	9.12	2.47	8.96	2.49	8.80	2.51	8.72	2.52	8.64	2.52	8.48	2.54
	-10	7.80	2.36	7.64	2.37	7.48	2.40	7.39	2.41	7.31	2.41	7.15	2.42
	-15	6.48	2.25	6.32	2.26	6.16	2.28	6.07	2.29	5.99	2.29	5.83	2.31

Heating

5 - rooms multisplit : 5 - units operation

Indoor units : 24 type + 13* type + 10* type + 10* type + 05* type 22 type + 07* type + 07* type + 07* type + 07* type
 22 type + 13* type + 13* type + 10* type + 05* type 24 type + 07* type + 07* type + 07* type + 07* type
 24 type + 13* type + 13* type + 10* type + 05* type 22 type + 10* type + 07* type + 07* type + 07* type
 22 type + 13* type + 13* type + 13* type + 05* type 24 type + 10* type + 07* type + 07* type + 07* type

TC : Total capacity [kW]
 PI : Power input [kW]

Outdoor unit : RAS-5M34U2AVG-E *Applicable indoor unit types are "PKV" series and "BKV" series only.

Combination (Capacity)	Outdoor air temp. [°C WB]	Indoor air temp. [°C DB]											
		16		18		20		21		22		24	
		TC [kW]	PI [kW]	TC [kW]	PI [kW]	TC [kW]	PI [kW]	TC [kW]	PI [kW]	TC [kW]	PI [kW]	TC [kW]	PI [kW]
24 + 13*+10*+10*+05*	15	14.40	2.92	14.24	2.94	14.08	2.97	14.00	2.98	13.92	2.98	13.76	3.00
	10	13.08	2.81	12.92	2.83	12.76	2.86	12.67	2.86	12.59	2.86	12.43	2.88
	6	12.02	2.72	11.86	2.73	11.70	2.76	11.62	2.77	11.54	2.77	11.37	2.79
	0	10.44	2.58	10.28	2.60	10.12	2.63	10.04	2.63	9.96	2.63	9.80	2.65
	-5	9.12	2.47	8.96	2.49	8.80	2.51	8.72	2.52	8.64	2.52	8.48	2.54
	-10	7.80	2.36	7.64	2.37	7.48	2.40	7.39	2.41	7.31	2.41	7.15	2.42
	-15	6.48	2.25	6.32	2.26	6.16	2.28	6.07	2.29	5.99	2.29	5.83	2.31
22 + 13*+13*+10*+05*	15	14.40	2.92	14.24	2.94	14.08	2.97	14.00	2.98	13.92	2.98	13.76	3.00
	10	13.08	2.81	12.92	2.83	12.76	2.86	12.67	2.86	12.59	2.86	12.43	2.88
	6	12.02	2.72	11.86	2.73	11.70	2.76	11.62	2.77	11.54	2.77	11.37	2.79
	0	10.44	2.58	10.28	2.60	10.12	2.63	10.04	2.63	9.96	2.63	9.80	2.65
	-5	9.12	2.47	8.96	2.49	8.80	2.51	8.72	2.52	8.64	2.52	8.48	2.54
	-10	7.80	2.36	7.64	2.37	7.48	2.40	7.39	2.41	7.31	2.41	7.15	2.42
	-15	6.48	2.25	6.32	2.26	6.16	2.28	6.07	2.29	5.99	2.29	5.83	2.31
24 + 13*+13*+10*+05*	15	14.40	2.92	14.24	2.94	14.08	2.97	14.00	2.98	13.92	2.98	13.76	3.00
	10	13.08	2.81	12.92	2.83	12.76	2.86	12.67	2.86	12.59	2.86	12.43	2.88
	6	12.02	2.72	11.86	2.73	11.70	2.76	11.62	2.77	11.54	2.77	11.37	2.79
	0	10.44	2.58	10.28	2.60	10.12	2.63	10.04	2.63	9.96	2.63	9.80	2.65
	-5	9.12	2.47	8.96	2.49	8.80	2.51	8.72	2.52	8.64	2.52	8.48	2.54
	-10	7.80	2.36	7.64	2.37	7.48	2.40	7.39	2.41	7.31	2.41	7.15	2.42
	-15	6.48	2.25	6.32	2.26	6.16	2.28	6.07	2.29	5.99	2.29	5.83	2.31
22 + 13*+13*+13*+05*	15	14.40	2.92	14.24	2.94	14.08	2.97	14.00	2.98	13.92	2.98	13.76	3.00
	10	13.08	2.81	12.92	2.83	12.76	2.86	12.67	2.86	12.59	2.86	12.43	2.88
	6	12.02	2.72	11.86	2.73	11.70	2.76	11.62	2.77	11.54	2.77	11.37	2.79
	0	10.44	2.58	10.28	2.60	10.12	2.63	10.04	2.63	9.96	2.63	9.80	2.65
	-5	9.12	2.47	8.96	2.49	8.80	2.51	8.72	2.52	8.64	2.52	8.48	2.54
	-10	7.80	2.36	7.64	2.37	7.48	2.40	7.39	2.41	7.31	2.41	7.15	2.42
	-15	6.48	2.25	6.32	2.26	6.16	2.28	6.07	2.29	5.99	2.29	5.83	2.31
22 + 07*+07*+07*+07*	15	14.40	2.92	14.24	2.94	14.08	2.97	14.00	2.98	13.92	2.98	13.76	3.00
	10	13.08	2.81	12.92	2.83	12.76	2.86	12.67	2.86	12.59	2.86	12.43	2.88
	6	12.02	2.72	11.86	2.73	11.70	2.76	11.62	2.77	11.54	2.77	11.37	2.79
	0	10.44	2.58	10.28	2.60	10.12	2.63	10.04	2.63	9.96	2.63	9.80	2.65
	-5	9.12	2.47	8.96	2.49	8.80	2.51	8.72	2.52	8.64	2.52	8.48	2.54
	-10	7.80	2.36	7.64	2.37	7.48	2.40	7.39	2.41	7.31	2.41	7.15	2.42
	-15	6.48	2.25	6.32	2.26	6.16	2.28	6.07	2.29	5.99	2.29	5.83	2.31
24 + 07*+07*+07*+07*	15	14.40	2.92	14.24	2.94	14.08	2.97	14.00	2.98	13.92	2.98	13.76	3.00
	10	13.08	2.81	12.92	2.83	12.76	2.86	12.67	2.86	12.59	2.86	12.43	2.88
	6	12.02	2.72	11.86	2.73	11.70	2.76	11.62	2.77	11.54	2.77	11.37	2.79
	0	10.44	2.58	10.28	2.60	10.12	2.63	10.04	2.63	9.96	2.63	9.80	2.65
	-5	9.12	2.47	8.96	2.49	8.80	2.51	8.72	2.52	8.64	2.52	8.48	2.54
	-10	7.80	2.36	7.64	2.37	7.48	2.40	7.39	2.41	7.31	2.41	7.15	2.42
	-15	6.48	2.25	6.32	2.26	6.16	2.28	6.07	2.29	5.99	2.29	5.83	2.31
22 + 10*+07*+07*+07*	15	14.40	2.92	14.24	2.94	14.08	2.97	14.00	2.98	13.92	2.98	13.76	3.00
	10	13.08	2.81	12.92	2.83	12.76	2.86	12.67	2.86	12.59	2.86	12.43	2.88
	6	12.02	2.72	11.86	2.73	11.70	2.76	11.62	2.77	11.54	2.77	11.37	2.79
	0	10.44	2.58	10.28	2.60	10.12	2.63	10.04	2.63	9.96	2.63	9.80	2.65
	-5	9.12	2.47	8.96	2.49	8.80	2.51	8.72	2.52	8.64	2.52	8.48	2.54
	-10	7.80	2.36	7.64	2.37	7.48	2.40	7.39	2.41	7.31	2.41	7.15	2.42
	-15	6.48	2.25	6.32	2.26	6.16	2.28	6.07	2.29	5.99	2.29	5.83	2.31
24 + 10*+07*+07*+07*	15	14.40	2.92	14.24	2.94	14.08	2.97	14.00	2.98	13.92	2.98	13.76	3.00
	10	13.08	2.81	12.92	2.83	12.76	2.86	12.67	2.86	12.59	2.86	12.43	2.88
	6	12.02	2.72	11.86	2.73	11.70	2.76	11.62	2.77	11.54	2.77	11.37	2.79
	0	10.44	2.58	10.28	2.60	10.12	2.63	10.04	2.63	9.96	2.63	9.80	2.65
	-5	9.12	2.47	8.96	2.49	8.80	2.51	8.72	2.52	8.64	2.52	8.48	2.54
	-10	7.80	2.36	7.64	2.37	7.48	2.40	7.39	2.41	7.31	2.41	7.15	2.42
	-15	6.48	2.25	6.32	2.26	6.16	2.28	6.07	2.29	5.99	2.29	5.83	2.31

Heating

5 - rooms multisplit : 5 - units operation

Indoor units : 22 type + 13* type + 07* type + 07* type + 07* type 22 type + 13* type + 10* type + 07* type + 07* type
 24 type + 13* type + 07* type + 07* type + 07* type 24 type + 13* type + 10* type + 07* type + 07* type
 22 type + 10* type + 10* type + 07* type + 07* type 22 type + 13* type + 13* type + 07* type + 07* type
 24 type + 10* type + 10* type + 07* type + 07* type 24 type + 13* type + 13* type + 07* type + 07* type

TC : Total capacity [kW]
 PI : Power input [kW]

Outdoor unit : RAS-5M34U2AVG-E *Applicable indoor unit types are "PKV" series and "BKV" series only.

Combination (Capacity)	Outdoor air temp. [°C WB]	Indoor air temp. [°C DB]											
		16		18		20		21		22		24	
		TC [kW]	PI [kW]	TC [kW]	PI [kW]	TC [kW]	PI [kW]	TC [kW]	PI [kW]	TC [kW]	PI [kW]	TC [kW]	PI [kW]
22 + 13*+07*+07*+07*	15	14.40	2.92	14.24	2.94	14.08	2.97	14.00	2.98	13.92	2.98	13.76	3.00
	10	13.08	2.81	12.92	2.83	12.76	2.86	12.67	2.86	12.59	2.86	12.43	2.88
	6	12.02	2.72	11.86	2.73	11.70	2.76	11.62	2.77	11.54	2.77	11.37	2.79
	0	10.44	2.58	10.28	2.60	10.12	2.63	10.04	2.63	9.96	2.63	9.80	2.65
	-5	9.12	2.47	8.96	2.49	8.80	2.51	8.72	2.52	8.64	2.52	8.48	2.54
	-10	7.80	2.36	7.64	2.37	7.48	2.40	7.39	2.41	7.31	2.41	7.15	2.42
	-15	6.48	2.25	6.32	2.26	6.16	2.28	6.07	2.29	5.99	2.29	5.83	2.31
24 + 13*+07*+07*+07*	15	14.40	2.92	14.24	2.94	14.08	2.97	14.00	2.98	13.92	2.98	13.76	3.00
	10	13.08	2.81	12.92	2.83	12.76	2.86	12.67	2.86	12.59	2.86	12.43	2.88
	6	12.02	2.72	11.86	2.73	11.70	2.76	11.62	2.77	11.54	2.77	11.37	2.79
	0	10.44	2.58	10.28	2.60	10.12	2.63	10.04	2.63	9.96	2.63	9.80	2.65
	-5	9.12	2.47	8.96	2.49	8.80	2.51	8.72	2.52	8.64	2.52	8.48	2.54
	-10	7.80	2.36	7.64	2.37	7.48	2.40	7.39	2.41	7.31	2.41	7.15	2.42
	-15	6.48	2.25	6.32	2.26	6.16	2.28	6.07	2.29	5.99	2.29	5.83	2.31
22 + 10*+10*+07*+07*	15	14.40	2.92	14.24	2.94	14.08	2.97	14.00	2.98	13.92	2.98	13.76	3.00
	10	13.08	2.81	12.92	2.83	12.76	2.86	12.67	2.86	12.59	2.86	12.43	2.88
	6	12.02	2.72	11.86	2.73	11.70	2.76	11.62	2.77	11.54	2.77	11.37	2.79
	0	10.44	2.58	10.28	2.60	10.12	2.63	10.04	2.63	9.96	2.63	9.80	2.65
	-5	9.12	2.47	8.96	2.49	8.80	2.51	8.72	2.52	8.64	2.52	8.48	2.54
	-10	7.80	2.36	7.64	2.37	7.48	2.40	7.39	2.41	7.31	2.41	7.15	2.42
	-15	6.48	2.25	6.32	2.26	6.16	2.28	6.07	2.29	5.99	2.29	5.83	2.31
24 + 10*+10*+07*+07*	15	14.40	2.92	14.24	2.94	14.08	2.97	14.00	2.98	13.92	2.98	13.76	3.00
	10	13.08	2.81	12.92	2.83	12.76	2.86	12.67	2.86	12.59	2.86	12.43	2.88
	6	12.02	2.72	11.86	2.73	11.70	2.76	11.62	2.77	11.54	2.77	11.37	2.79
	0	10.44	2.58	10.28	2.60	10.12	2.63	10.04	2.63	9.96	2.63	9.80	2.65
	-5	9.12	2.47	8.96	2.49	8.80	2.51	8.72	2.52	8.64	2.52	8.48	2.54
	-10	7.80	2.36	7.64	2.37	7.48	2.40	7.39	2.41	7.31	2.41	7.15	2.42
	-15	6.48	2.25	6.32	2.26	6.16	2.28	6.07	2.29	5.99	2.29	5.83	2.31
22 + 13*+10*+07*+07*	15	14.40	2.92	14.24	2.94	14.08	2.97	14.00	2.98	13.92	2.98	13.76	3.00
	10	13.08	2.81	12.92	2.83	12.76	2.86	12.67	2.86	12.59	2.86	12.43	2.88
	6	12.02	2.72	11.86	2.73	11.70	2.76	11.62	2.77	11.54	2.77	11.37	2.79
	0	10.44	2.58	10.28	2.60	10.12	2.63	10.04	2.63	9.96	2.63	9.80	2.65
	-5	9.12	2.47	8.96	2.49	8.80	2.51	8.72	2.52	8.64	2.52	8.48	2.54
	-10	7.80	2.36	7.64	2.37	7.48	2.40	7.39	2.41	7.31	2.41	7.15	2.42
	-15	6.48	2.25	6.32	2.26	6.16	2.28	6.07	2.29	5.99	2.29	5.83	2.31
24 + 13*+10*+07*+07*	15	14.40	2.92	14.24	2.94	14.08	2.97	14.00	2.98	13.92	2.98	13.76	3.00
	10	13.08	2.81	12.92	2.83	12.76	2.86	12.67	2.86	12.59	2.86	12.43	2.88
	6	12.02	2.72	11.86	2.73	11.70	2.76	11.62	2.77	11.54	2.77	11.37	2.79
	0	10.44	2.58	10.28	2.60	10.12	2.63	10.04	2.63	9.96	2.63	9.80	2.65
	-5	9.12	2.47	8.96	2.49	8.80	2.51	8.72	2.52	8.64	2.52	8.48	2.54
	-10	7.80	2.36	7.64	2.37	7.48	2.40	7.39	2.41	7.31	2.41	7.15	2.42
	-15	6.48	2.25	6.32	2.26	6.16	2.28	6.07	2.29	5.99	2.29	5.83	2.31
22 + 13*+13*+07*+07*	15	14.40	2.92	14.24	2.94	14.08	2.97	14.00	2.98	13.92	2.98	13.76	3.00
	10	13.08	2.81	12.92	2.83	12.76	2.86	12.67	2.86	12.59	2.86	12.43	2.88
	6	12.02	2.72	11.86	2.73	11.70	2.76	11.62	2.77	11.54	2.77	11.37	2.79
	0	10.44	2.58	10.28	2.60	10.12	2.63	10.04	2.63	9.96	2.63	9.80	2.65
	-5	9.12	2.47	8.96	2.49	8.80	2.51	8.72	2.52	8.64	2.52	8.48	2.54
	-10	7.80	2.36	7.64	2.37	7.48	2.40	7.39	2.41	7.31	2.41	7.15	2.42
	-15	6.48	2.25	6.32	2.26	6.16	2.28	6.07	2.29	5.99	2.29	5.83	2.31
24 + 13*+13*+07*+07*	15	14.40	2.92	14.24	2.94	14.08	2.97	14.00	2.98	13.92	2.98	13.76	3.00
	10	13.08	2.81	12.92	2.83	12.76	2.86	12.67	2.86	12.59	2.86	12.43	2.88
	6	12.02	2.72	11.86	2.73	11.70	2.76	11.62	2.77	11.54	2.77	11.37	2.79
	0	10.44	2.58	10.28	2.60	10.12	2.63	10.04	2.63	9.96	2.63	9.80	2.65
	-5	9.12	2.47	8.96	2.49	8.80	2.51	8.72	2.52	8.64	2.52	8.48	2.54
	-10	7.80	2.36	7.64	2.37	7.48	2.40	7.39	2.41	7.31	2.41	7.15	2.42
	-15	6.48	2.25	6.32	2.26	6.16	2.28	6.07	2.29	5.99	2.29	5.83	2.31

Heating

5 - rooms multisplit : 5 - units operation

Indoor units : 22 type + 10* type + 10* type + 10* type + 07* type 22 type + 13* type + 13* type + 10* type + 07* type
 24 type + 10* type + 10* type + 10* type + 07* type 24 type + 13* type + 13* type + 10* type + 07* type
 22 type + 13* type + 10* type + 10* type + 07* type 22 type + 13* type + 13* type + 13* type + 07* type
 24 type + 13* type + 10* type + 10* type + 07* type 22 type + 10* type + 10* type + 10* type + 10* type

TC : Total capacity [kW]
 PI : Power input [kW]

Outdoor unit : RAS-5M34U2AVG-E *Applicable indoor unit types are "PKV" series and "BKV" series only.

Combination (Capacity)	Outdoor air temp. [°C WB]	Indoor air temp. [°C DB]											
		16		18		20		21		22		24	
		TC [kW]	PI [kW]	TC [kW]	PI [kW]	TC [kW]	PI [kW]	TC [kW]	PI [kW]	TC [kW]	PI [kW]	TC [kW]	PI [kW]
22 + 10*+10*+10*+07*	15	14.40	2.92	14.24	2.94	14.08	2.97	14.00	2.98	13.92	2.98	13.76	3.00
	10	13.08	2.81	12.92	2.83	12.76	2.86	12.67	2.86	12.59	2.86	12.43	2.88
	6	12.02	2.72	11.86	2.73	11.70	2.76	11.62	2.77	11.54	2.77	11.37	2.79
	0	10.44	2.58	10.28	2.60	10.12	2.63	10.04	2.63	9.96	2.63	9.80	2.65
	-5	9.12	2.47	8.96	2.49	8.80	2.51	8.72	2.52	8.64	2.52	8.48	2.54
	-10	7.80	2.36	7.64	2.37	7.48	2.40	7.39	2.41	7.31	2.41	7.15	2.42
	-15	6.48	2.25	6.32	2.26	6.16	2.28	6.07	2.29	5.99	2.29	5.83	2.31
24 + 10*+10*+10*+07*	15	14.40	2.92	14.24	2.94	14.08	2.97	14.00	2.98	13.92	2.98	13.76	3.00
	10	13.08	2.81	12.92	2.83	12.76	2.86	12.67	2.86	12.59	2.86	12.43	2.88
	6	12.02	2.72	11.86	2.73	11.70	2.76	11.62	2.77	11.54	2.77	11.37	2.79
	0	10.44	2.58	10.28	2.60	10.12	2.63	10.04	2.63	9.96	2.63	9.80	2.65
	-5	9.12	2.47	8.96	2.49	8.80	2.51	8.72	2.52	8.64	2.52	8.48	2.54
	-10	7.80	2.36	7.64	2.37	7.48	2.40	7.39	2.41	7.31	2.41	7.15	2.42
	-15	6.48	2.25	6.32	2.26	6.16	2.28	6.07	2.29	5.99	2.29	5.83	2.31
22 + 13*+10*+10*+07*	15	14.40	2.92	14.24	2.94	14.08	2.97	14.00	2.98	13.92	2.98	13.76	3.00
	10	13.08	2.81	12.92	2.83	12.76	2.86	12.67	2.86	12.59	2.86	12.43	2.88
	6	12.02	2.72	11.86	2.73	11.70	2.76	11.62	2.77	11.54	2.77	11.37	2.79
	0	10.44	2.58	10.28	2.60	10.12	2.63	10.04	2.63	9.96	2.63	9.80	2.65
	-5	9.12	2.47	8.96	2.49	8.80	2.51	8.72	2.52	8.64	2.52	8.48	2.54
	-10	7.80	2.36	7.64	2.37	7.48	2.40	7.39	2.41	7.31	2.41	7.15	2.42
	-15	6.48	2.25	6.32	2.26	6.16	2.28	6.07	2.29	5.99	2.29	5.83	2.31
24 + 13*+10*+10*+07*	15	14.40	2.92	14.24	2.94	14.08	2.97	14.00	2.98	13.92	2.98	13.76	3.00
	10	13.08	2.81	12.92	2.83	12.76	2.86	12.67	2.86	12.59	2.86	12.43	2.88
	6	12.02	2.72	11.86	2.73	11.70	2.76	11.62	2.77	11.54	2.77	11.37	2.79
	0	10.44	2.58	10.28	2.60	10.12	2.63	10.04	2.63	9.96	2.63	9.80	2.65
	-5	9.12	2.47	8.96	2.49	8.80	2.51	8.72	2.52	8.64	2.52	8.48	2.54
	-10	7.80	2.36	7.64	2.37	7.48	2.40	7.39	2.41	7.31	2.41	7.15	2.42
	-15	6.48	2.25	6.32	2.26	6.16	2.28	6.07	2.29	5.99	2.29	5.83	2.31
22 + 13*+13*+10*+07*	15	14.77	3.00	14.60	3.02	14.44	3.05	14.36	3.05	14.27	3.05	14.11	3.07
	10	13.41	2.88	13.25	2.90	13.08	2.93	13.00	2.94	12.92	2.94	12.75	2.96
	6	12.33	2.79	12.16	2.80	12.00	2.83	11.91	2.84	11.83	2.84	11.67	2.86
	0	10.71	2.65	10.54	2.67	10.38	2.69	10.29	2.70	10.21	2.70	10.05	2.72
	-5	9.35	2.54	9.19	2.55	9.02	2.58	8.94	2.58	8.86	2.58	8.69	2.60
	-10	8.00	2.42	7.83	2.44	7.67	2.46	7.58	2.47	7.50	2.47	7.33	2.48
	-15	6.64	2.30	6.48	2.32	6.31	2.34	6.23	2.35	6.15	2.35	5.98	2.36
24 + 13*+13*+10*+07*	15	14.77	3.00	14.60	3.02	14.44	3.05	14.36	3.05	14.27	3.05	14.11	3.07
	10	13.41	2.88	13.25	2.90	13.08	2.93	13.00	2.94	12.92	2.94	12.75	2.96
	6	12.33	2.79	12.16	2.80	12.00	2.83	11.91	2.84	11.83	2.84	11.67	2.86
	0	10.71	2.65	10.54	2.67	10.38	2.69	10.29	2.70	10.21	2.70	10.05	2.72
	-5	9.35	2.54	9.19	2.55	9.02	2.58	8.94	2.58	8.86	2.58	8.69	2.60
	-10	8.00	2.42	7.83	2.44	7.67	2.46	7.58	2.47	7.50	2.47	7.33	2.48
	-15	6.64	2.30	6.48	2.32	6.31	2.34	6.23	2.35	6.15	2.35	5.98	2.36
22 + 13*+13*+13*+07*	15	14.77	3.00	14.60	3.02	14.44	3.05	14.36	3.05	14.27	3.05	14.11	3.07
	10	13.41	2.88	13.25	2.90	13.08	2.93	13.00	2.94	12.92	2.94	12.75	2.96
	6	12.33	2.79	12.16	2.80	12.00	2.83	11.91	2.84	11.83	2.84	11.67	2.86
	0	10.71	2.65	10.54	2.67	10.38	2.69	10.29	2.70	10.21	2.70	10.05	2.72
	-5	9.35	2.54	9.19	2.55	9.02	2.58	8.94	2.58	8.86	2.58	8.69	2.60
	-10	8.00	2.42	7.83	2.44	7.67	2.46	7.58	2.47	7.50	2.47	7.33	2.48
	-15	6.64	2.30	6.48	2.32	6.31	2.34	6.23	2.35	6.15	2.35	5.98	2.36
22 + 10*+10*+10*+10*	15	14.40	2.92	14.24	2.94	14.08	2.97	14.00	2.98	13.92	2.98	13.76	3.00
	10	13.08	2.81	12.92	2.83	12.76	2.86	12.67	2.86	12.59	2.86	12.43	2.88
	6	12.02	2.72	11.86	2.73	11.70	2.76	11.62	2.77	11.54	2.77	11.37	2.79
	0	10.44	2.58	10.28	2.60	10.12	2.63	10.04	2.63	9.96	2.63	9.80	2.65
	-5	9.12	2.47	8.96	2.49	8.80	2.51	8.72	2.52	8.64	2.52	8.48	2.54
	-10	7.80	2.36	7.64	2.37	7.48	2.40	7.39	2.41	7.31	2.41	7.15	2.42
	-15	6.48	2.25	6.32	2.26	6.16	2.28	6.07	2.29	5.99	2.29	5.83	2.31

Heating

5 - rooms multisplit : 5 - units operation

Indoor units : 24 type + 10* type + 10* type + 10* type + 10* type

22 type + 13* type + 10* type + 10* type + 10* type

24 type + 13* type + 10* type + 10* type + 10* type

22 type + 13* type + 13* type + 10* type + 10* type

TC : Total capacity [kW]

PI : Power input [kW]

Outdoor unit : RAS-5M34U2AVG-E

*Applicable indoor unit types are "PKV" series and "BKV" series only.

Combination (Capacity)	Outdoor air temp. [°C WB]	Indoor air temp. [°C DB]											
		16		18		20		21		22		24	
		TC [kW]	PI [kW]	TC [kW]	PI [kW]	TC [kW]	PI [kW]	TC [kW]	PI [kW]	TC [kW]	PI [kW]	TC [kW]	PI [kW]
24 + 10*+10*+10*+10*	15	14.40	2.92	14.24	2.94	14.08	2.97	14.00	2.98	13.92	2.98	13.76	3.00
	10	13.08	2.81	12.92	2.83	12.76	2.86	12.67	2.86	12.59	2.86	12.43	2.88
	6	12.02	2.72	11.86	2.73	11.70	2.76	11.62	2.77	11.54	2.77	11.37	2.79
	0	10.44	2.58	10.28	2.60	10.12	2.63	10.04	2.63	9.96	2.63	9.80	2.65
	-5	9.12	2.47	8.96	2.49	8.80	2.51	8.72	2.52	8.64	2.52	8.48	2.54
	-10	7.80	2.36	7.64	2.37	7.48	2.40	7.39	2.41	7.31	2.41	7.15	2.42
	-15	6.48	2.25	6.32	2.26	6.16	2.28	6.07	2.29	5.99	2.29	5.83	2.31
22 + 13*+10*+10*+10*	15	14.77	3.00	14.60	3.02	14.44	3.05	14.36	3.05	14.27	3.05	14.11	3.07
	10	13.41	2.88	13.25	2.90	13.08	2.93	13.00	2.94	12.92	2.94	12.75	2.96
	6	12.33	2.79	12.16	2.80	12.00	2.83	11.91	2.84	11.83	2.84	11.67	2.86
	0	10.71	2.65	10.54	2.67	10.38	2.69	10.29	2.70	10.21	2.70	10.05	2.72
	-5	9.35	2.54	9.19	2.55	9.02	2.58	8.94	2.58	8.86	2.58	8.69	2.60
	-10	8.00	2.42	7.83	2.44	7.67	2.46	7.58	2.47	7.50	2.47	7.33	2.48
	-15	6.64	2.30	6.48	2.32	6.31	2.34	6.23	2.35	6.15	2.35	5.98	2.36
24 + 13*+10*+10*+10*	15	14.77	3.00	14.60	3.02	14.44	3.05	14.36	3.05	14.27	3.05	14.11	3.07
	10	13.41	2.88	13.25	2.90	13.08	2.93	13.00	2.94	12.92	2.94	12.75	2.96
	6	12.33	2.79	12.16	2.80	12.00	2.83	11.91	2.84	11.83	2.84	11.67	2.86
	0	10.71	2.65	10.54	2.67	10.38	2.69	10.29	2.70	10.21	2.70	10.05	2.72
	-5	9.35	2.54	9.19	2.55	9.02	2.58	8.94	2.58	8.86	2.58	8.69	2.60
	-10	8.00	2.42	7.83	2.44	7.67	2.46	7.58	2.47	7.50	2.47	7.33	2.48
	-15	6.64	2.30	6.48	2.32	6.31	2.34	6.23	2.35	6.15	2.35	5.98	2.36
22 + 13*+13*+10*+10*	15	14.77	3.00	14.60	3.02	14.44	3.05	14.36	3.05	14.27	3.05	14.11	3.07
	10	13.41	2.88	13.25	2.90	13.08	2.93	13.00	2.94	12.92	2.94	12.75	2.96
	6	12.33	2.79	12.16	2.80	12.00	2.83	11.91	2.84	11.83	2.84	11.67	2.86
	0	10.71	2.65	10.54	2.67	10.38	2.69	10.29	2.70	10.21	2.70	10.05	2.72
	-5	9.35	2.54	9.19	2.55	9.02	2.58	8.94	2.58	8.86	2.58	8.69	2.60
	-10	8.00	2.42	7.83	2.44	7.67	2.46	7.58	2.47	7.50	2.47	7.33	2.48
	-15	6.64	2.30	6.48	2.32	6.31	2.34	6.23	2.35	6.15	2.35	5.98	2.36

TOSHIBA CARRIER (THAILAND) CO.,LTD.

144/9 Moo 5, Bangkadi Industrial Park, Tivanon Road, Tambol Bangkadi,
Amphur Muang, Pathumthani 12000, Thailand

Copyright © 2015 TOSHIBA CARRIER (THAILAND), All Rights Reserved

Notice : Toshiba is committed to continuously improving its products to ensure the highest quality and reliability standard, and to meet local regulations and market requirements. All features and specifications are subject to change without prior notice.
