

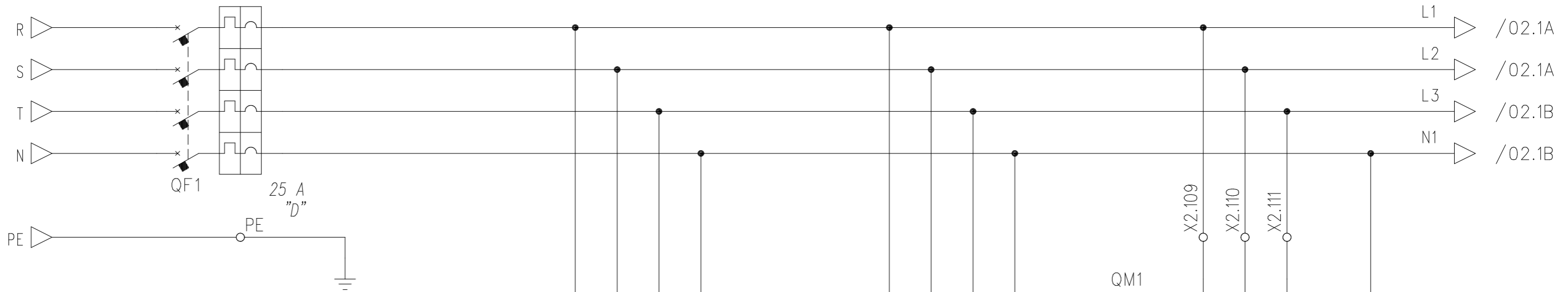
Commissa

TTL300 EXPERT WCC 7

COPYING OF THIS DOCUMENT, AND GIVING IT TO OTHERS AND THE USE OR COMMUNICATION OF THE CONTENTS THEREOF, ARE FORBIDDEN WITHOUT EXPRESS AUTHORITY. OFFENDERS ARE LIABLE TO THE PAYMENT OF DAMAGES. ALL RIGHTS ARE RESERVED IN THE EVENT OF THE GRANT OF A PATENT OF THE REGISTRATION OF A UTILITY MODEL OR DESIGN.

DESIGN TYPE		DEFAULT VOLTAGE	400 Vac	STANDARD	CEI 44-6	ENCLOSURE
SERIE		CONTROLS VOLTAGE	230 Vac	+ =		
ORDER CODE		SIGNALS VOLTAGE	230 Vac			
CUSTOMER		TOTALINE		TTL300 EXPERT WCC 7		
DESIGNED WITH CAD/CAE SYSTEM		Sabik 9				
				SCHEMA FUNZIONALE TABELLE DI RIEPILOGO MORSETTIERE		
		DATE	SIGNAT.			
		COMM.	27/06/2017			
		CHECK.	27/06/2017	TOTALINE		
		APPROV.	27/06/2017			
				TOTALINE		SHEET 0
01	AGGIUNTO RELE ALL.	25/03/15	DAVIDE			T.S. 10
REV.	REVISION DESCRIPTION	DATE	COMMISS.	SUB. FOR:	SUBST.:	ORIGIN:

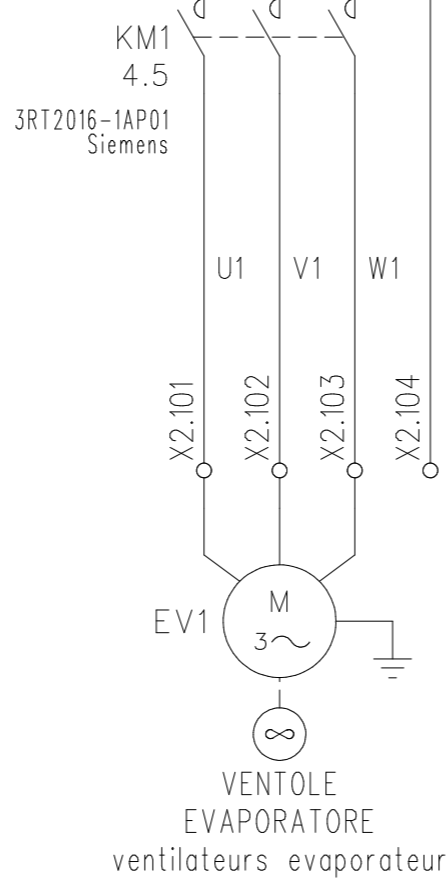
INTERRUTTORE
GENERALE
interrupteur general



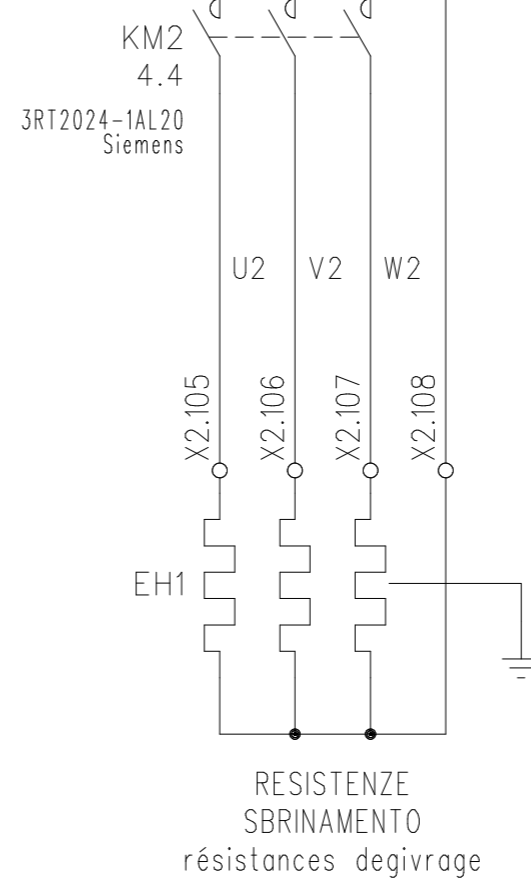
!!! ATTENZIONE !!!
 LA SOMMA TOTALE DEGLI ASSORBIMENTI
 NON DEVE ECCEDERE LA PORTATA DELL' I.G.

!!! WARNING !!!
 SUM OF INSTALLED LOADS ABSORPTIONS
 HAVE NOT TO EXCEED MAIN SWITCH 25A.

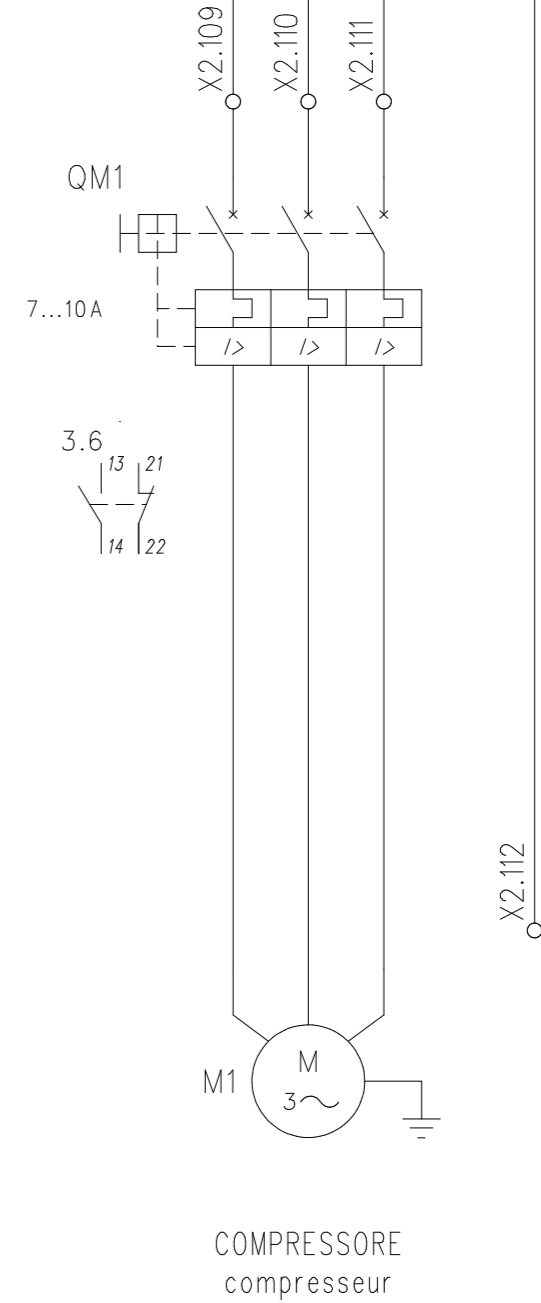
SIEMENS COMPONENT			
WIRE DIAGRAM ITEM	PEGO ELECTRICAL PANEL	Art. Siemens	CURRENT RANGE
QM1	.	3RV2021-1HA10	5,5-8A
	.	3RV2021-1JA10	7-10A
	.	3RV2021-1KA10	9-12,5A
	.	3RV2021-4AA10	11-16A
	.	3RV2021-4BA10	14-20A



MAXIMUM PERMISSIBLE LOAD
 I Max 3.6A



MAXIMUM PERMISSIBLE LOAD
 9 kW (AC1)
 Balanced resistive load



MAXIMUM PERMISSIBLE LOAD
 SEE QM1 AMPERE RANGE

PROJECT: TIL300_EXPERT_WCC_7_1.scad
 FILE NAME: TIL300_EXPERT_WCC_7_1.scad
 TYPE:

DATE	25/03/2015
COMMISS.	Davide
CHECKED BY	
APPROV.	

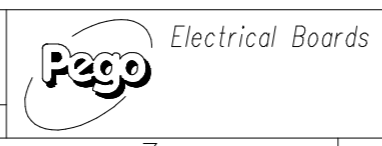


TTL300 EXPERT WCC 7

=	TTL300 EXPERT WCC 7
+	SHEET 1
N.S. 2	T.F. 10

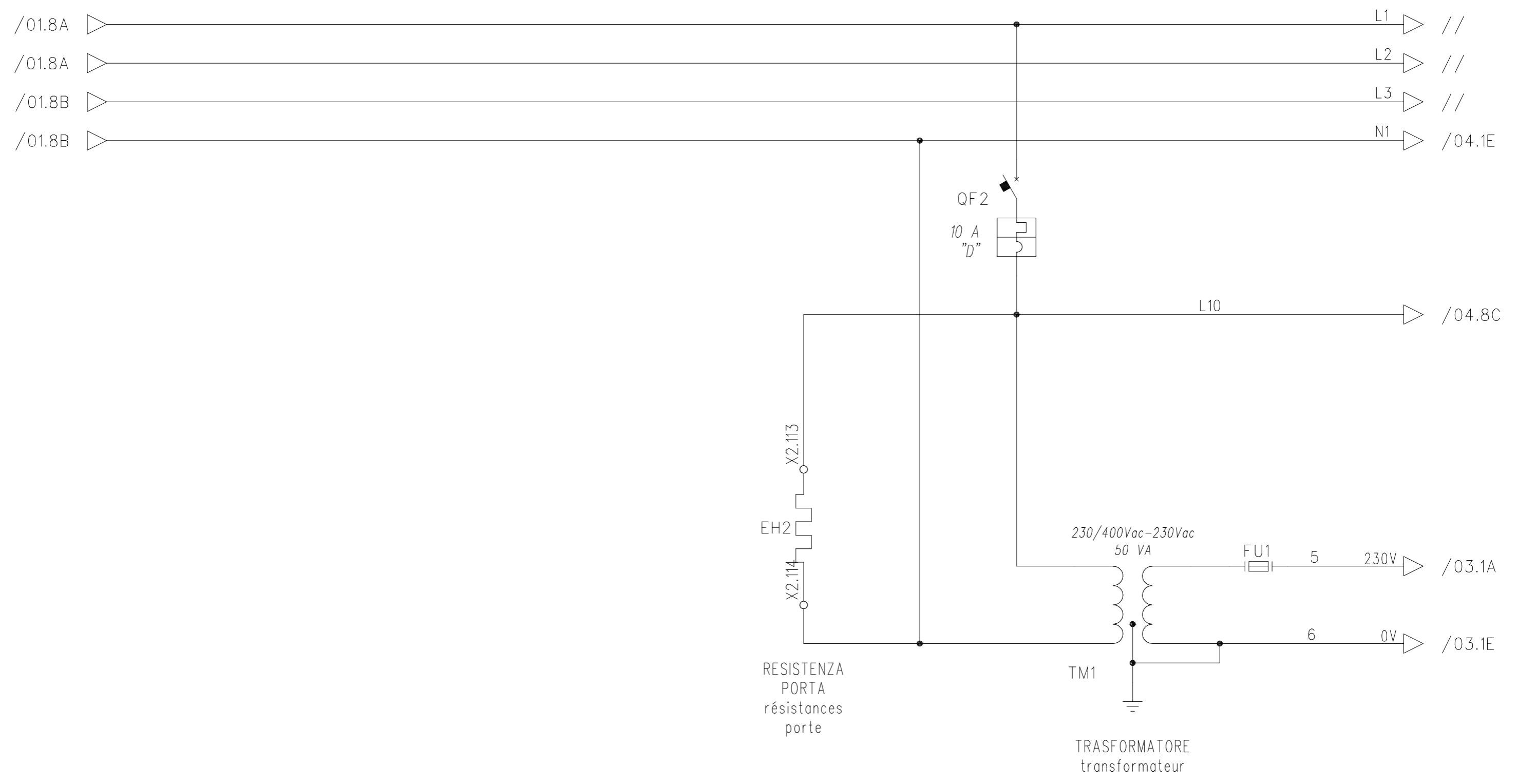
PROJECT: TTL300_EXPERT_WCC_7_1.scad
 FILE NAME: TTL300_EXPERT_WCC_7_1.scad
 TYPE:

DATE	25/03/2015
COMMISS.	Davide
CHECKED BY	
APPROV.	



TTL300 EXPERT WCC 7

= TTL300 EXPERT WCC 7	
+	
SHEET 2	
N.S. 3	T.F. 10



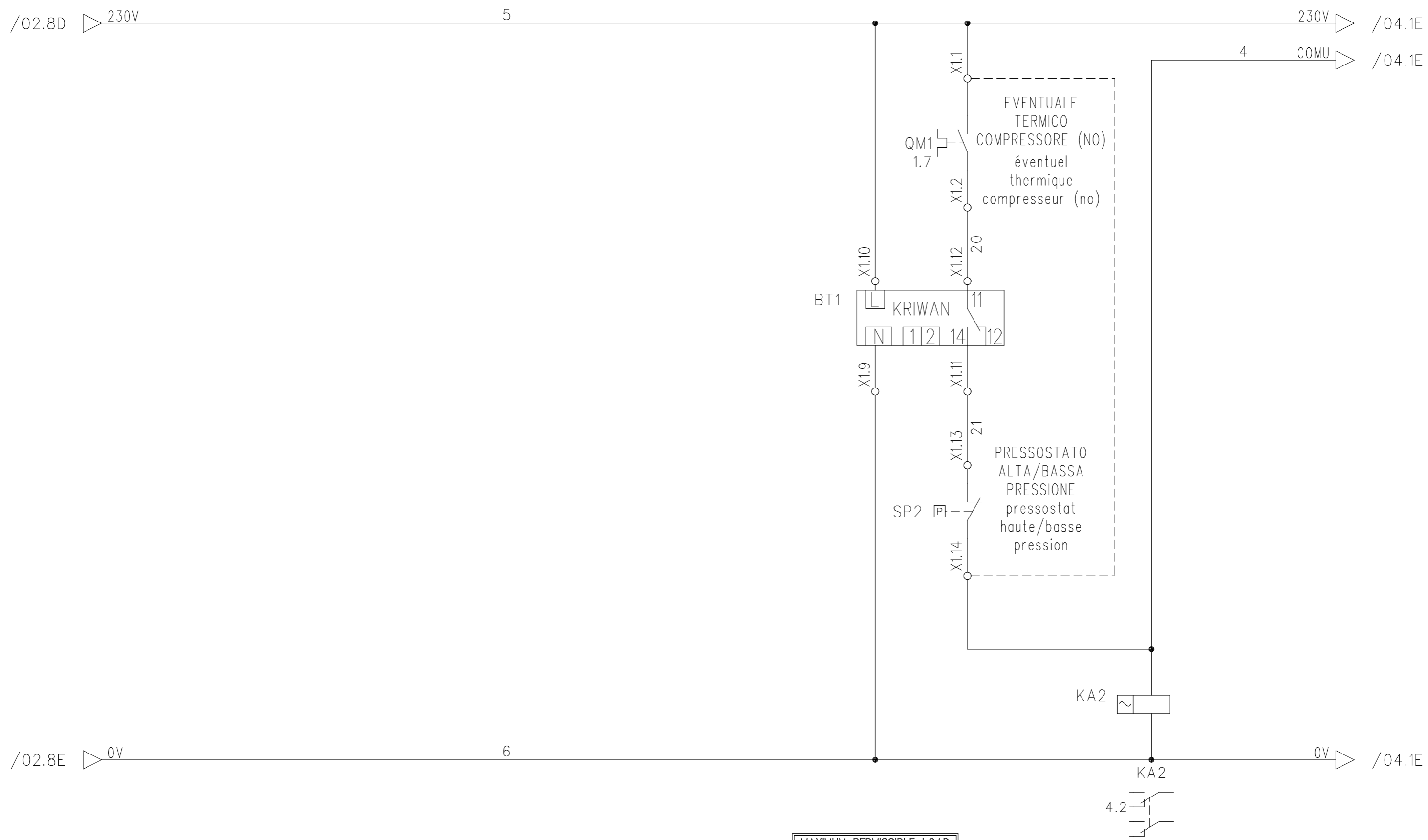
PROJECT: TTL300_EXPERT_WCC_7
 FILE NAME: TTL300_EXPERT_WCC_7_1.scad
 TYPE:

DATE	25/03/2015	
COMMISS.	Davide	
CHECKED BY		
APPROV.	SUBST.:	SUB. FOR:



TTL300 EXPERT WCC 7

=	TTL300 EXPERT WCC 7
+	
SHEET 3	
N.S. 4	T.F. 10



PROJECT: TTL300_EXPERT_WCC_7_1.scad
 FILE NAME: TTL300_EXPERT_WCC_7_1.scad
 TYPE:

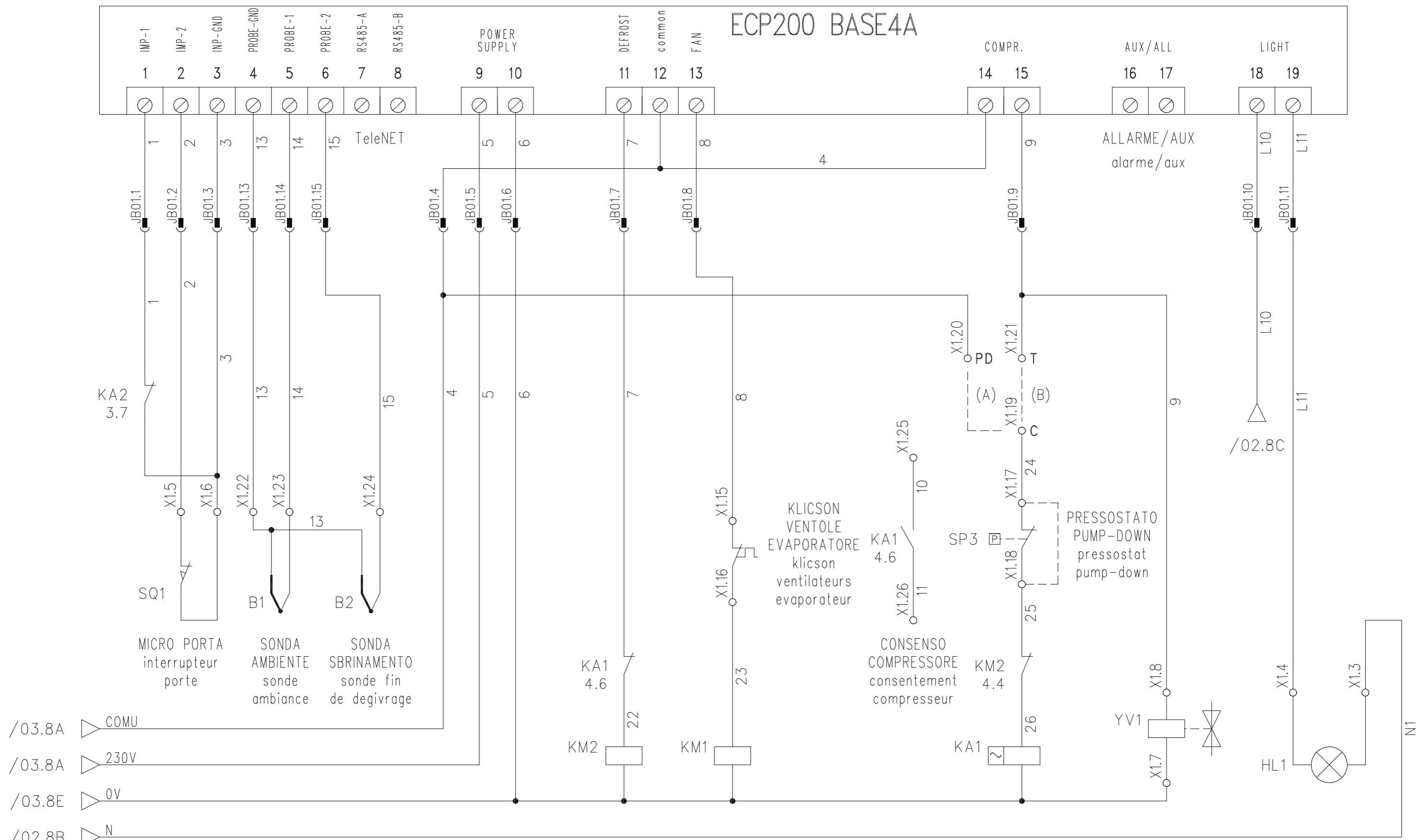
DATE 25/03/2015
 COMMISS. Davide
 CHECKED BY
 APPROV.

SUBST.: SUB. FOR:

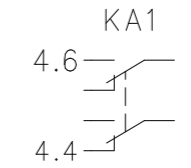
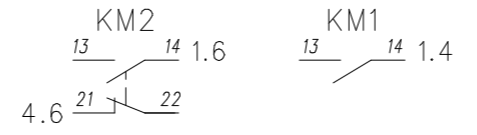


TTL300 EXPERT WCC 7

= TTL300 EXPERT WCC 7
 +
 SHEET 4
 N.S. 5 T.F. 10



SELEZIONE FUNZIONAMENTO:
 mode selection
 PONTE (A): FUNZIONAMENTO CON PUMP-DOWN
 SHUNT (A) : Fonctionnement par PUMP-DOWN
 PONTE (B): FUNZIONAMENTO CON TERMOSTATO
 SHUNT (B) : Fonctionnement par THERMOSTAT

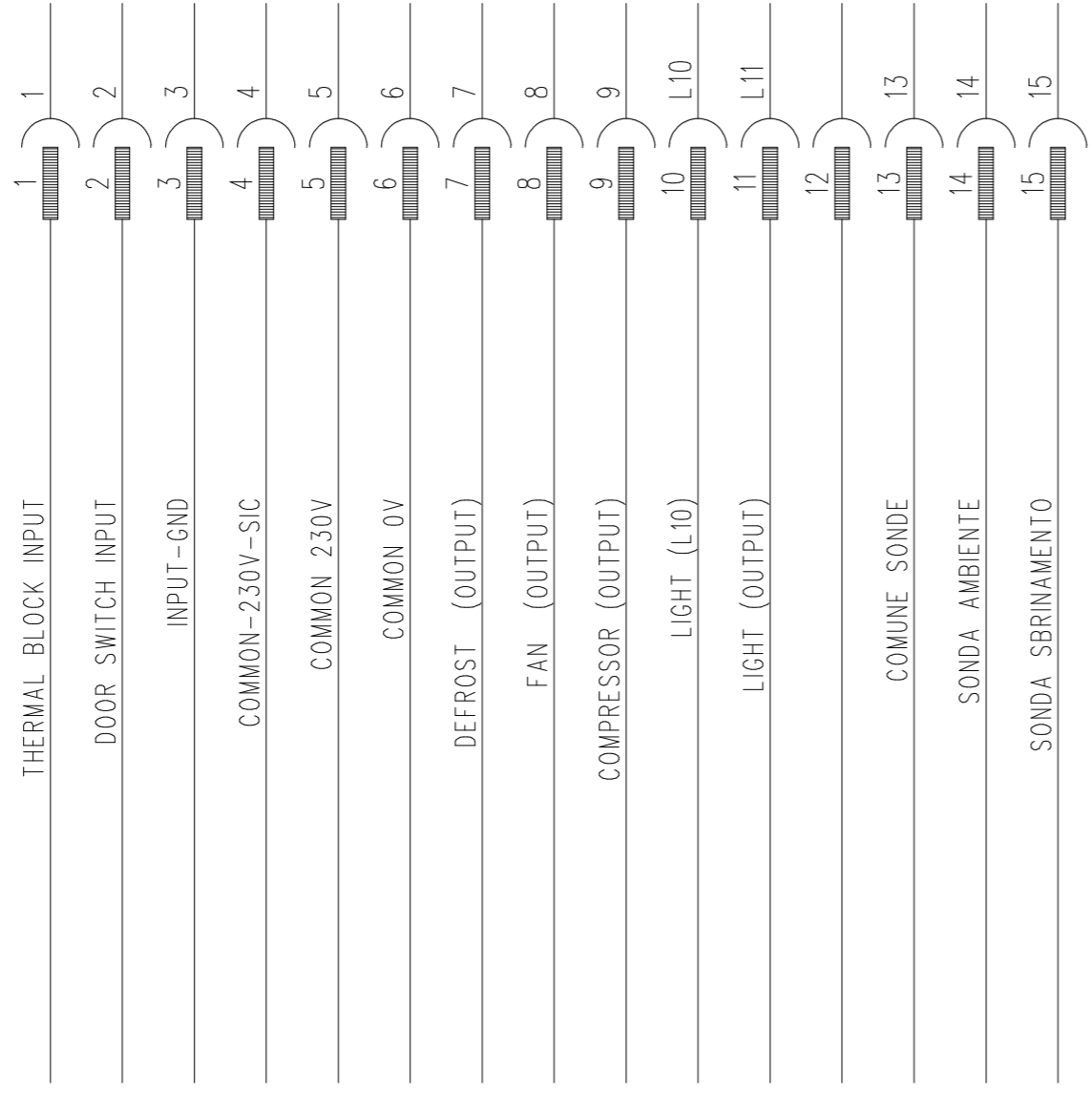


SOLENOIDE LIQUIDA
 electrovanne liquide
MAXIMUM PERMISSIBLE LOAD
 10W

LUCE CELLA
 éclairage chambre froide
MAXIMUM PERMISSIBLE LOAD
 800 W (AC1)

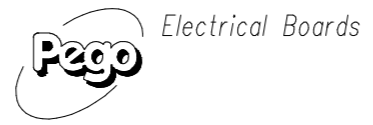
RIASSUNTIVO CONNETTORI

JB01



PROJECT: TTL300_EXPERT_WCC_7_1.scad
 FILE NAME: TTL300_EXPERT_WCC_7_1.scad
 TYPE:

DATE	07/03/2011								
COMMISS.	Davide								
CHECKED BY									
APPROV.		SUBST.:	SUB. FOR:						

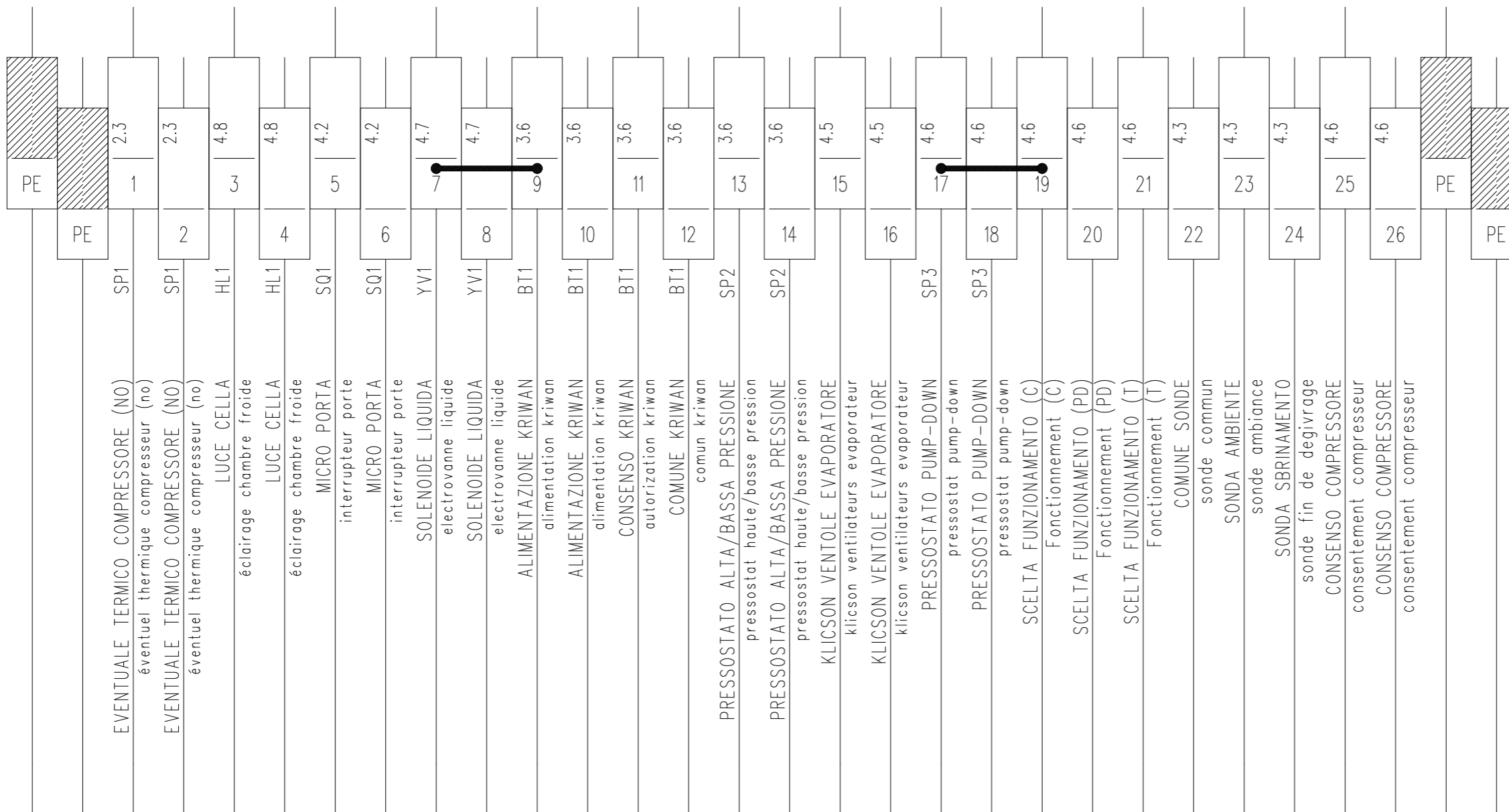


TTL300 EXPERT WCC 7

= TTL300 EXPERT WCC 7	
+	
SHEET 5	
N.S. 6	T.F. 10

Terminal block X1

MORSETTI DOPPI
double terminal block



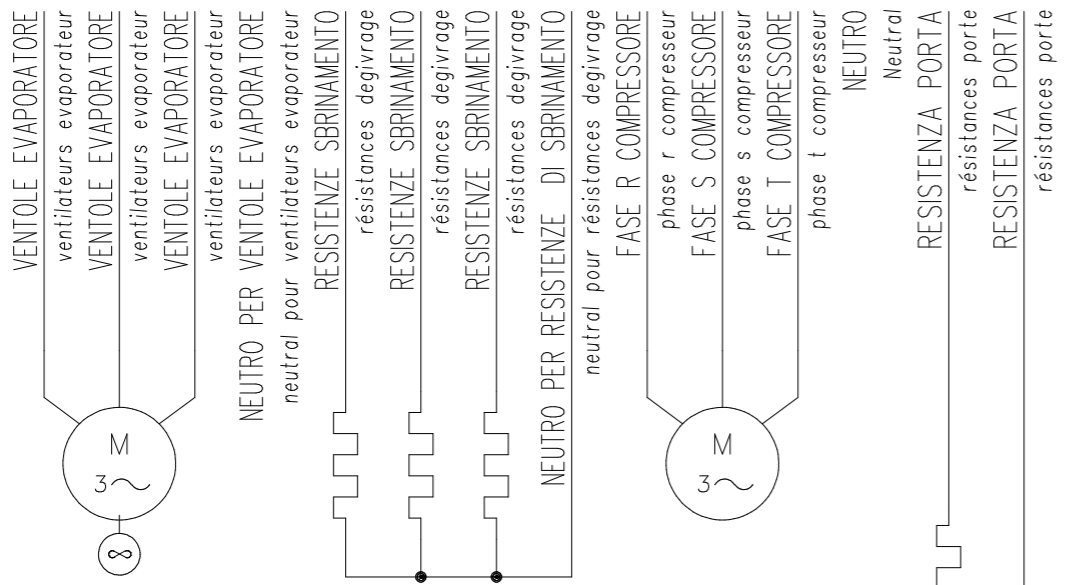
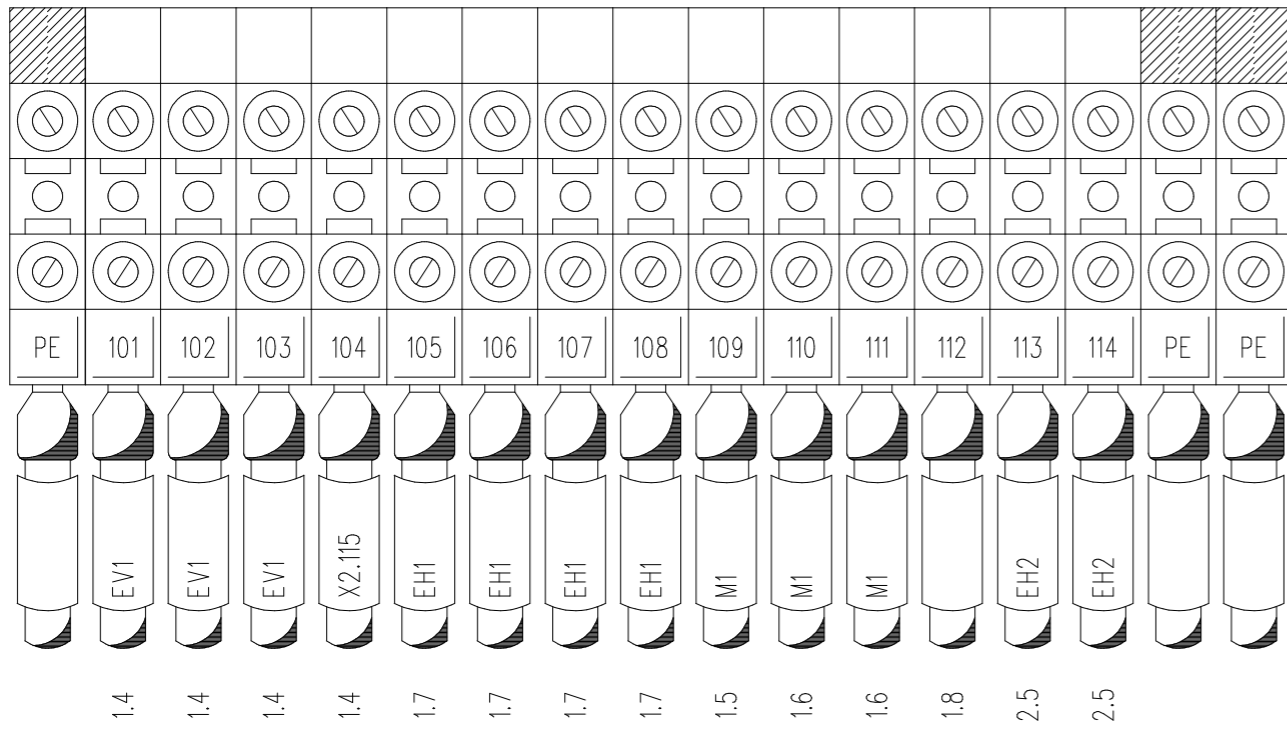
- PONTE
bridge
- ← PIANO SUPERIORE MORSETTIERA
high level terminal block
- ← PIANO INFERIORE MORSETTIERA
low level terminal block

ATTENZIONE:
ponticellare i morsetti 13 e 14 se non è presente la protezione kriwan.
Ponticellare i morsetti 15 e 16 se non è presente il pressostato alta/bassa pressione.
Lasciare liberi i morsetti 7 e 8 se non è presente il micro porta.

WARNING:
Put a bridge between clamp 13 and 14 if Kriwan protection is not present.
Put a bridge between clamp 15 and 16 if high low pressure switch protection is not present.
Leave free the clamp 7 and 8 if door switch is not present

PROJECT: TTL300_EXPERT_WCC_7_1.scad
FILE NAME: TTL300_EXPERT_WCC_7_1.scad
TYPE: OF THE GRANT OF A PATENT OF THE REGISTRATION OF A UTILITY MODEL OR DESIGN

Terminal block X2



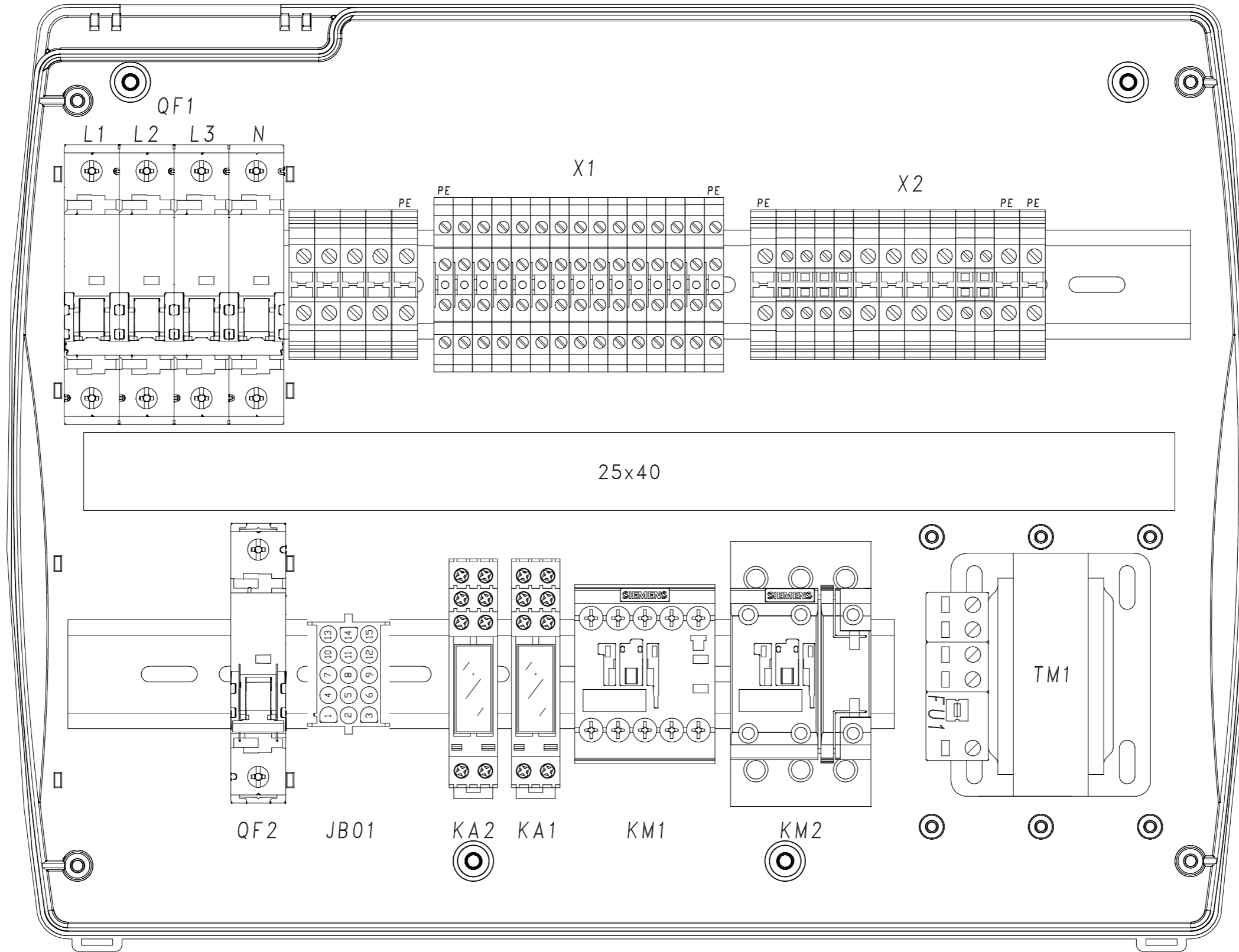
MAXIMUM PERMISSIBLE LOAD
I Max 3,6A

MAXIMUM PERMISSIBLE LOAD
9 KW (AC1)
Balanced resistive load

MAXIMUM PERMISSIBLE LOAD
SEE QM1 AMPERE RANGE

PROJECT: TTL300_EXPERT_WCC_7_1.scad
 FILE NAME: TTL300_EXPERT_WCC_7_1.scad
 TYPE: COPY OF THIS DOCUMENT, AND GIVING IT TO OTHERS AND THE USE OR COMMUNICATION OF THE CONTENTS THEREOF, ARE FORBIDDEN WITHOUT EXPRESS AUTHORITY. OFFENDERS ARE LIABLE TO THE PAYMENT OF DAMAGES. ALL RIGHTS ARE RESERVED IN THE EVENT OF THE GRANT OF A PATENT OF THE REGISTRATION OF A UTILITY MODEL OR DESIGN

PROJECT: TTL300_EXPERT_WCC_7_1.scad
 FILE NAME: TTL300_EXPERT_WCC_7_1.scad
 TYPE:



SIEMENS COMPONENT

DATE	25/03/2015	LAYOUT	Electrical Boards	TTL300 EXPERT WCC 7	= TTL300 EXPERT WCC 7
COMMISS.	Davide				+
CHECKED BY					SHEET 8
APPROV.		SUBST.:	SUB. FOR:		N.S. 9 T.F. 10

