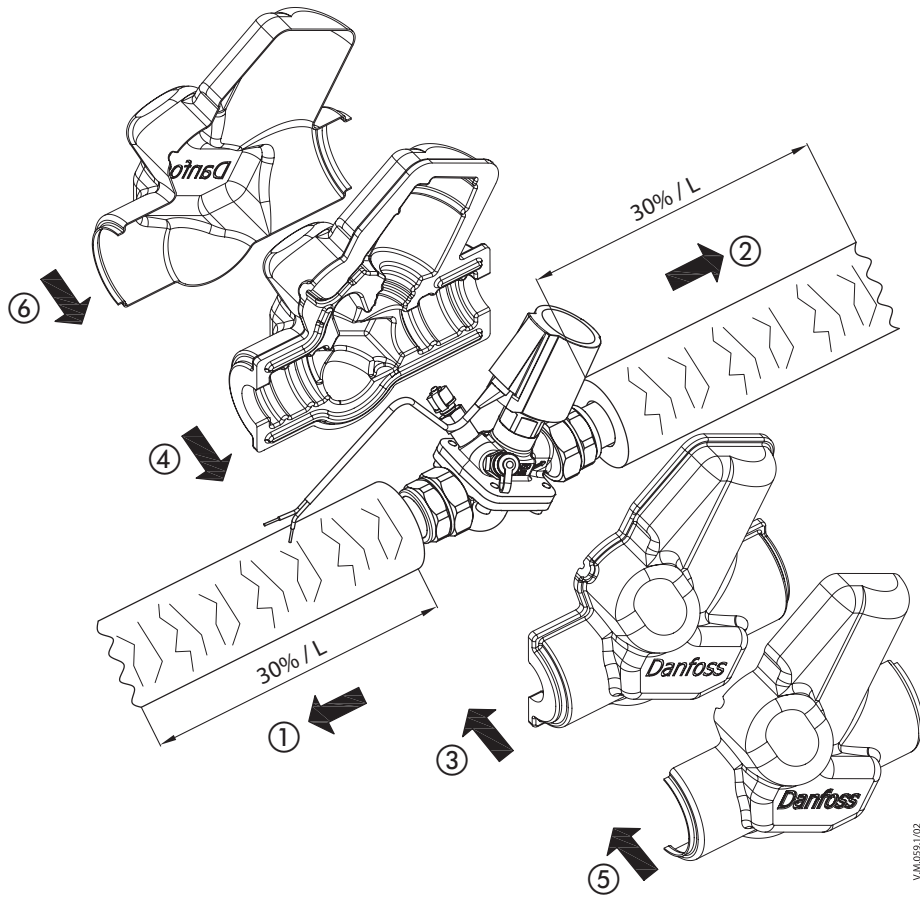


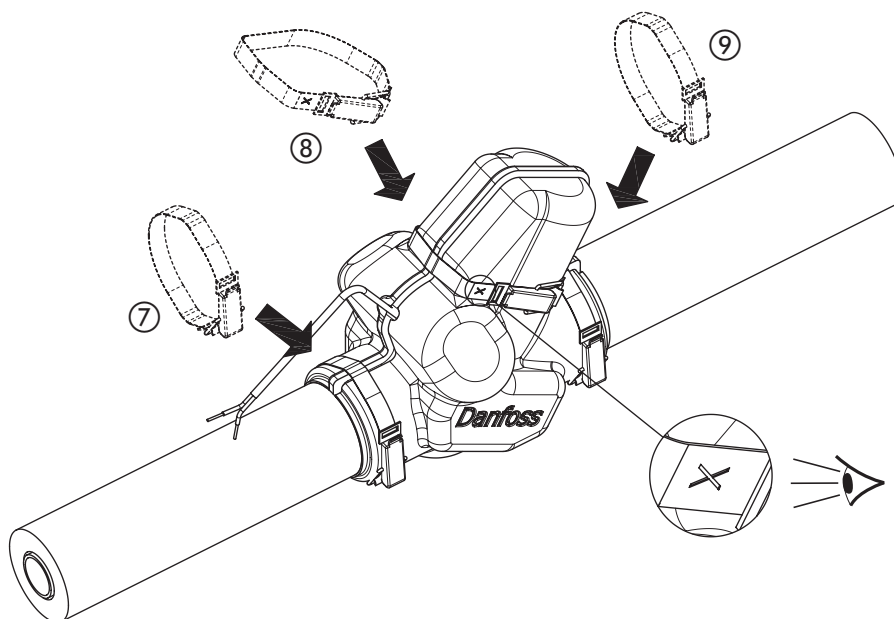
## Installation Guide

### Insulation AB-QM DN 15-32

1



2



# Installation Guide      Insulation AB-QM DN 15-32

---

---