

Installation Guide

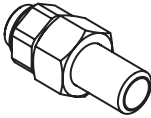
Accessories

for Valve Stations ICF 50-4 and ICF 65-3

027R9593

027R9593

Welding connection



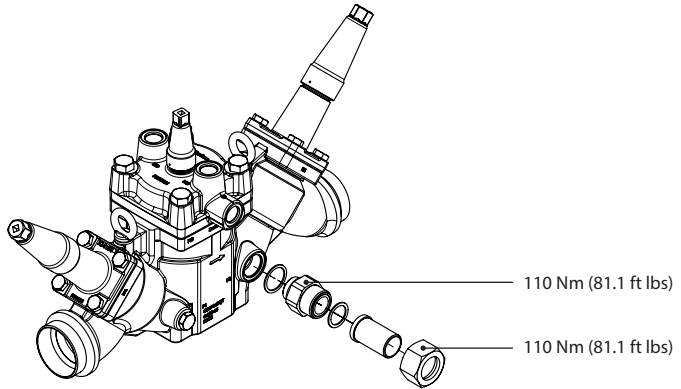
| Description | Code number |
|------------------------|-----------------|
| M33 to DIN 25 mm pipe | 027H5544 |
| M33 to ANSI 1 in. pipe | 027H5546 |

Adapter kit for defrost connection



| Description | Code number |
|-------------------|-----------------|
| M33 - G 3/8 in. | 027H5547 |
| M33 - NPT 3/8 in. | 027H5548 |

ICF 50-4, ICF 65-3



ICF 50-4, ICF 65-3

