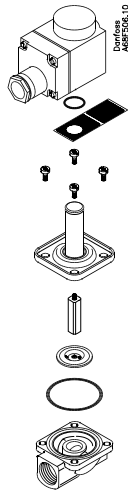
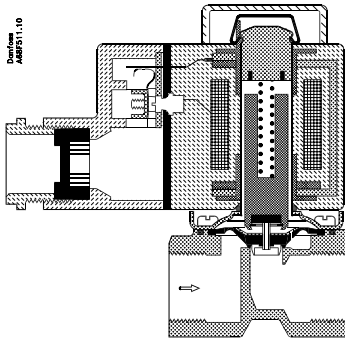
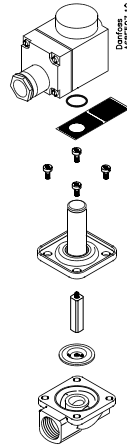
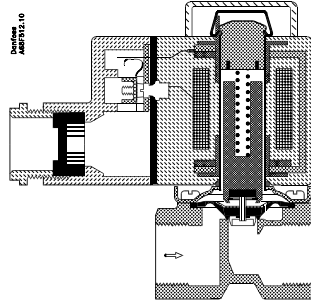


068R9545

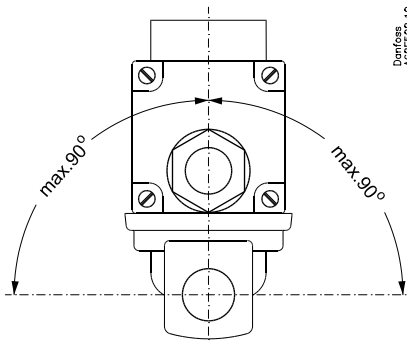
### EVSR 10

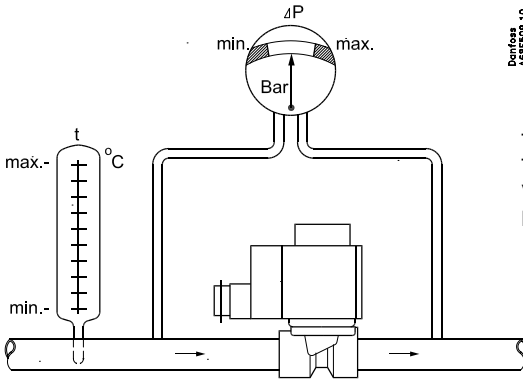


### EVSR 12, 14, 18, 22



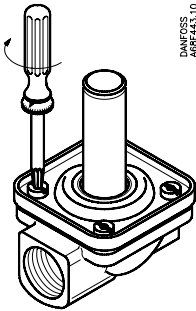
068R9545





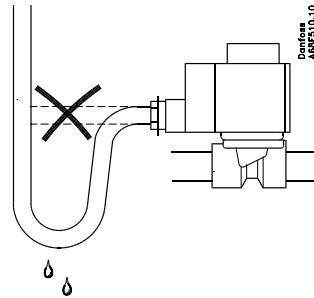
Danfoss  
ABSF32.10

$T_{amb}$  = +50°C max.  
 $T_{medium}$  = -35 → +60°C  
 Viscosity = 50 cST. max.  
 Max. test pressure = 16 bar



Danfoss  
ABSF43.10

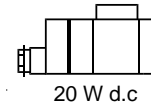
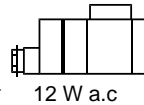
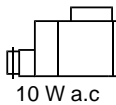
EVSR	Nm	kpm	ft-lbs
10	1.4	0.14	1.0
12	2.8	0.28	2.0
14	2.8	0.28	2.0
18	4.5	0.45	3.2
22	4.5	0.45	3.2



Danfoss  
ABSF10.10

## NC

$\Delta p$   
bar



min.

max.

min.

max.

min.

max.

EVSR 10, 12  
14, 18, 22

0.1

5.0

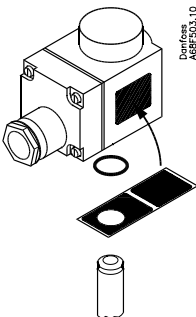
0.1

5.0

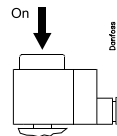
0.1

5.0

## Clip-on



Danfoss  
ABSF30.10



Danfoss  
ABSF30.10

