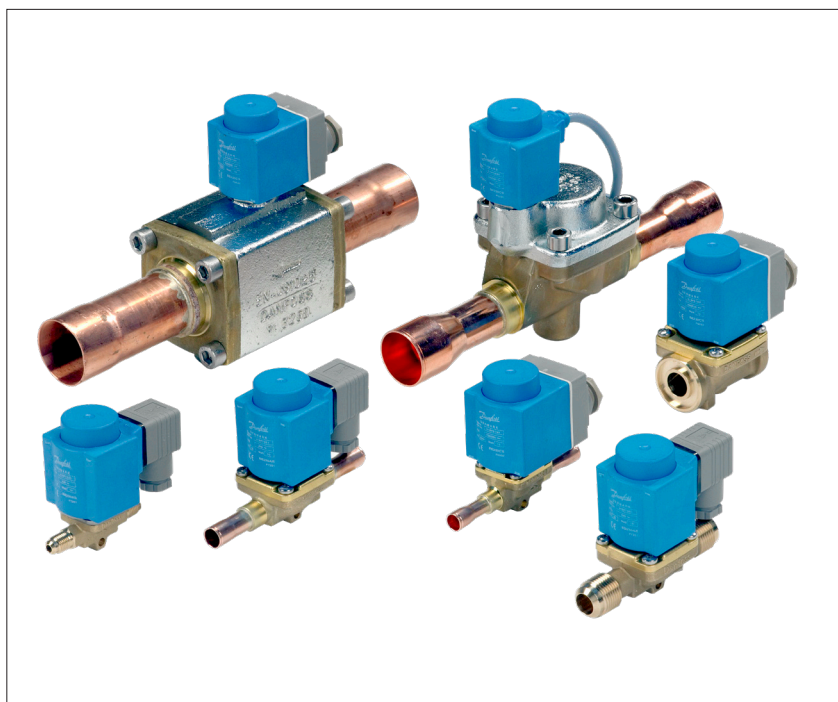


Data sheet - Spare parts and accessories

Solenoid valve

Types EVR 2 - EVR 40 (Version 1 and Version 2)



EVR spare parts are categorized to 4 types of kits to renovate the valves with least expense and most accuracy.

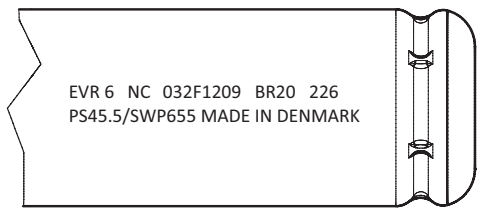
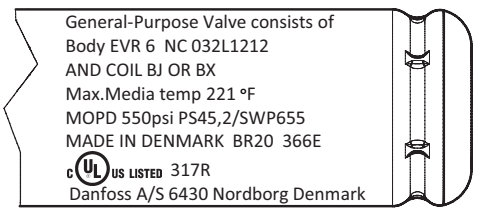
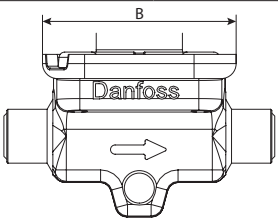
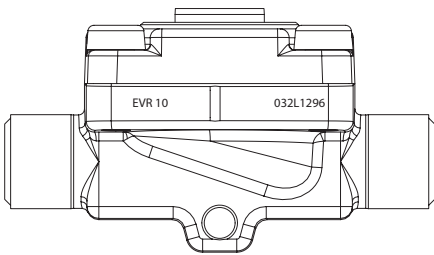
This data sheet cover spare parts and accessories for both EVR Version 1 and EVR Version 2.

- **Seal kit**
consists of all the sealing parts of the corresponding valves
- **Service kit**
consists of all the replaceable function parts of the corresponding diaphragm valves
- **Piston service kit**
consists of piston related function parts; only for piston valves
- **Pilot service kit**
consists of pilot related function parts only for piston valves

Table of contents

How to identify the version of the EVR solenoid valve.....	2
Spare part overview	2
EVR version 1	
EVR 2 - EVR 3	3
EVR 4 - EVR 6 - EVR 8	4
EVR 10	5
EVR 15 - EVR 18	6
EVR 20 - EVR 22	8
EVR 25	10
EVR 32 - EVR 40	11
EVRC	12
EVRH 10 - EVRH 20.....	13
EVRH 25	14
EVR version 2	
EVR 2 - EVR 3	17
EVR 4 - EVR 6 - EVR 8	18
EVR 10	19
EVR 15 - EVR 18	20
EVR 20 - EVR 22	21
EVR 25	22
EVR 32	24
EVR 40	26

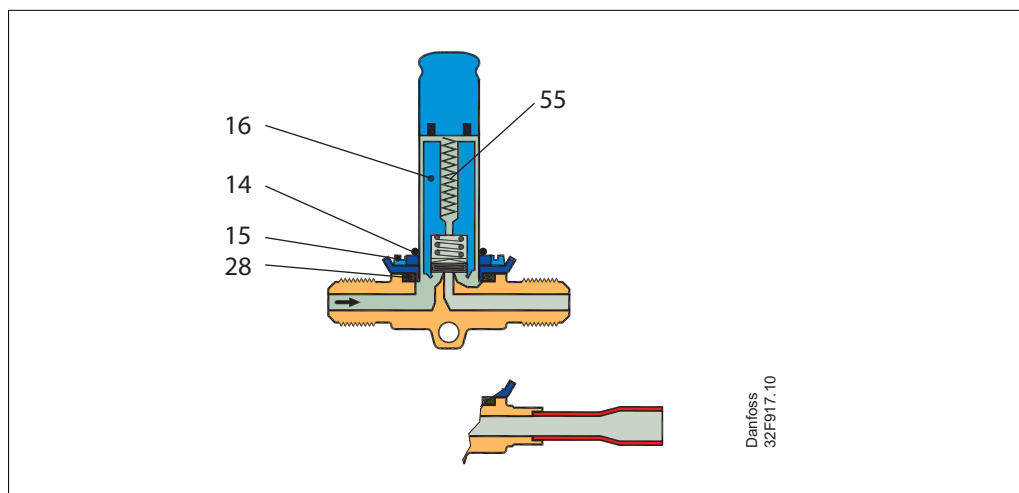
How to identify the version of the EVR solenoid valve

	EVR version 1	EVR version 2																
Product name	EVR, EVRE, EVRH, EVRC	EVR, EVRC																
Code number	032F.., 032G.., 042H..	032L..																
ID marking on armature																		
ID marking on housing	 <table border="1" data-bbox="456 1626 951 1890"> <thead> <tr> <th>Type</th> <th>B [mm]</th> </tr> </thead> <tbody> <tr> <td>EVR 2 - EVR 3</td> <td>34</td> </tr> <tr> <td>EVR 4 - EVR 6 - EVR 8</td> <td>34</td> </tr> <tr> <td>EVR 10</td> <td>44</td> </tr> <tr> <td>EVR 15 - EVR 18</td> <td>53</td> </tr> <tr> <td>EVR 20 - EVR 22</td> <td>70</td> </tr> <tr> <td>EVR 25</td> <td>82</td> </tr> <tr> <td>EVR 32 - EVR 40</td> <td>104</td> </tr> </tbody> </table>	Type	B [mm]	EVR 2 - EVR 3	34	EVR 4 - EVR 6 - EVR 8	34	EVR 10	44	EVR 15 - EVR 18	53	EVR 20 - EVR 22	70	EVR 25	82	EVR 32 - EVR 40	104	 <p>Laser marking on valve body, sizes EVR 2 - EVR 22: EVR + size + code number.</p>
Type	B [mm]																	
EVR 2 - EVR 3	34																	
EVR 4 - EVR 6 - EVR 8	34																	
EVR 10	44																	
EVR 15 - EVR 18	53																	
EVR 20 - EVR 22	70																	
EVR 25	82																	
EVR 32 - EVR 40	104																	

Spare part overview

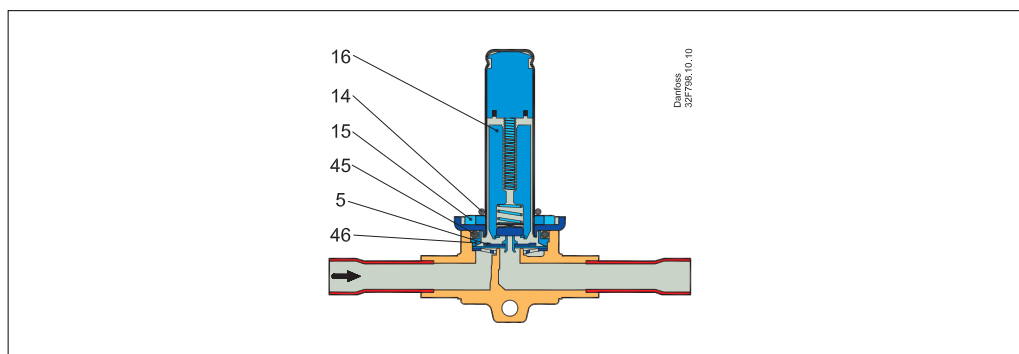
EVR size	EVR version 1	EVR version 2	Description
EVR 2 - EVR 3	032F..		EVR 2 - EVR 3 spare part kits remain unchanged
EVR 4 - EVR 22	032F.., 032G..	032L..	EVR 4 - EVR 22 use new specialized spare part kits
EVR 25 - EVR 40	032F.., 042H..		EVR 25 - EVR 40 spare part kits remain unchanged

EVR 2 - EVR 3 (NC)
Version 1



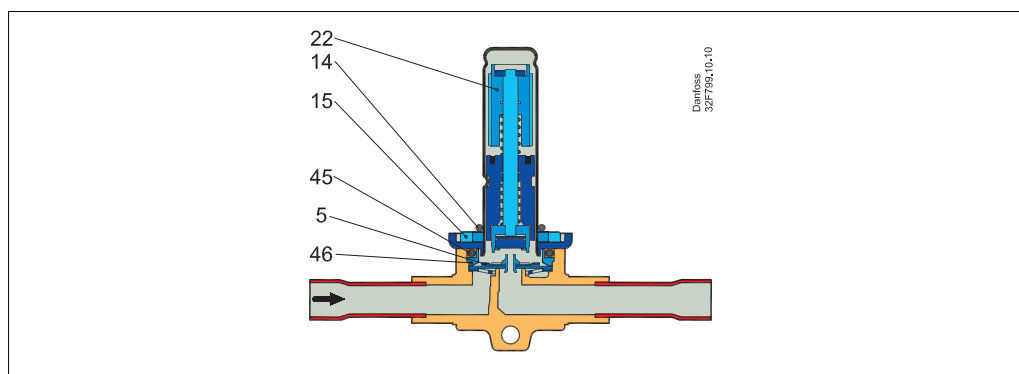
Type	Description	Pos. #	Qty.	Code no.
Service kit (AC)				
EVR 2 and 3 (NC)	O-ring	14	1	032F0181
	Screw	15	4	
	Armature assembly	16	1	
	Rubber gasket	28	1	
	Compress spring	55	1	

**EVR 4 - EVR 6 - EVR 8 (NC)
Version 1**



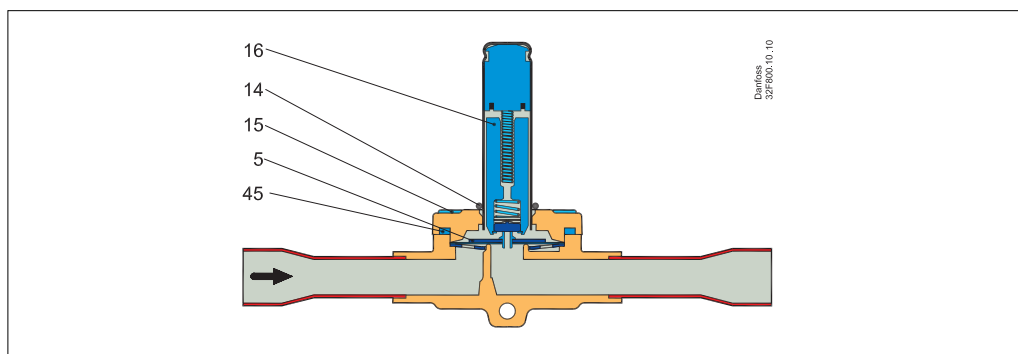
Type	Description	Pos. #	Qty.	Code no.
Seal kit				
EVR 4, 6, and 8 (NC)	O-ring for armature tube	14	1	032F8165
	Rubber gasket	45	1	
	O-ring for steel cover	45	1	
	Support ring	46	1	
Service kit (AC)				
EVR 4, 6, and 8 (NC)	Diaphragm assembly	5	1	032F8166
	O-ring for armature tube	14	1	
	Screw T20	15	4	
	Screw T15	15	4	
	Armature assembly	16	1	
	Rubber gasket	45	1	
	O-ring for steel cover	45	1	
	Support ring	46	1	
	Compress spring	55	1	

**EVR 6 - EVR 8 (NO)
Version 1**



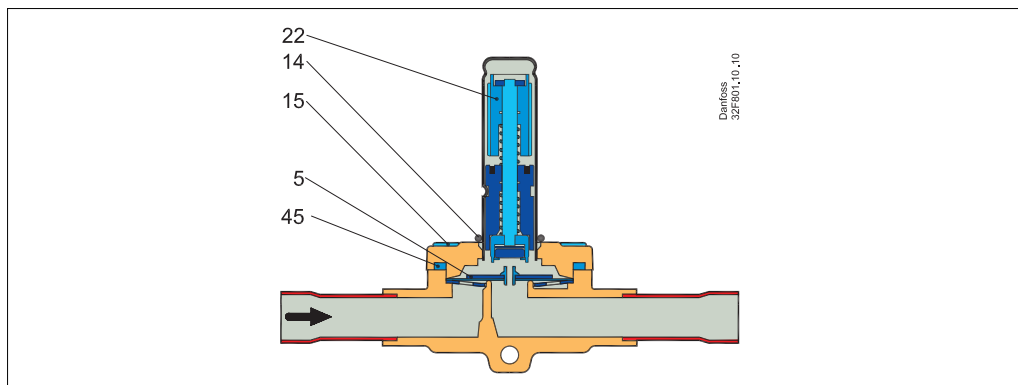
Type	Description	Pos. #	Qty.	Code no.
Seal kit				
EVR 6 and 8 (NO)	O-ring for armature tube	14	1	032F8165
	Rubber gasket	45	1	
	O-ring for steel cover	45	1	
	Support ring	46	1	
Service kit - Steel cover design				
EVR 6 and 8 (NO)	Diaphragm assembly	5	1	032F8167
	O-ring	14	1	
	Screw	15	4	
	Armature assembly (NO)	22	1	
	O-ring	45	1	
	Support ring	46	1	

**EVR 10 (NC)
Version 1**



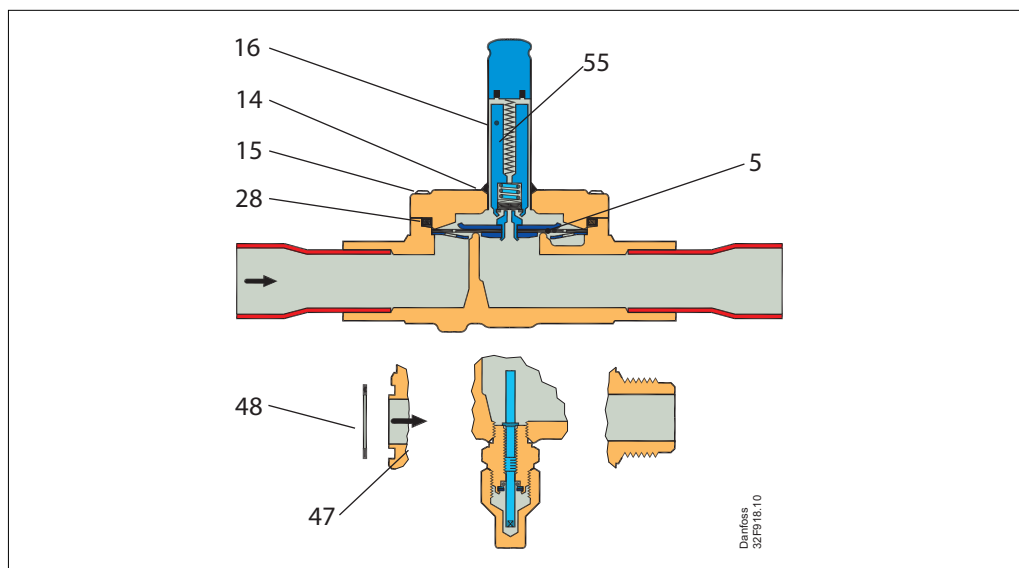
Type	Description	Pos. #	Qty.	Code no.
Seal kit				
EVR 10 (NC)	O-ring, Armature tube	14	1	032F8196
	Rubber gasket	45	1	
Service kit (AC)				
EVR 10 (NC)	Diaphragm assembly	5	1	032F0185
	O-ring	14	1	
	Screw	15	4	
	Armature assembly	16	1	
	Rubber gasket	45	1	
	Compress spring	55	1	

**EVR 10 (NO)
Version 1**



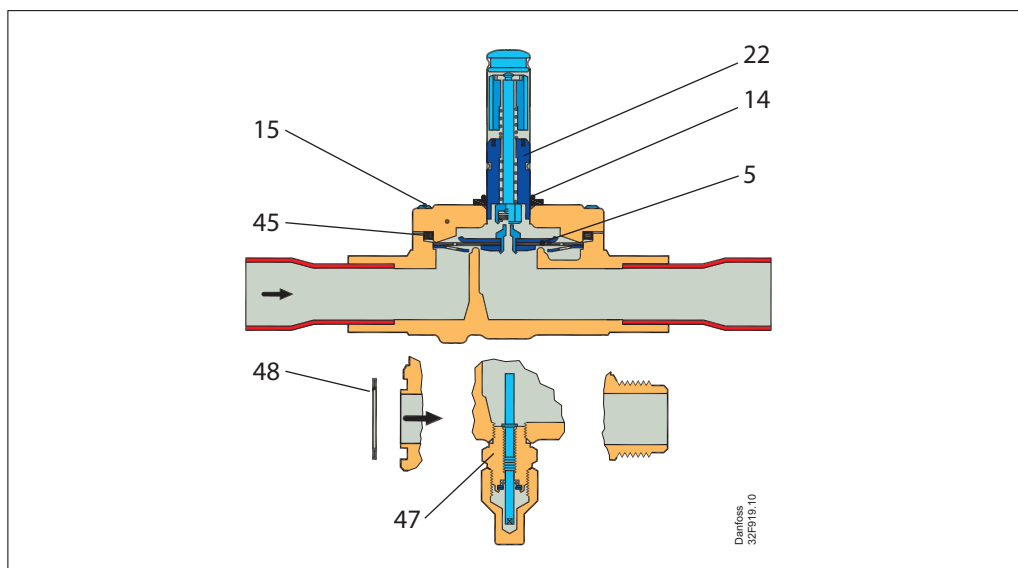
Type	Description	Pos. #	Qty.	Code no.
Seal kit				
EVR 10 (NO)	O-ring, Armature tube	14	1	032F8196
	Rubber gasket	45	1	
Service kit (AC)				
EVR 10 (NO)	Diaphragm assembly	5	1	032F0186
	O-ring	14	1	
	Screw	15	4	
	Armature assembly (NO)	22	1	
	Rubber gasket	45	1	

EVR 15 - EVR 18 (NC)
Version 1



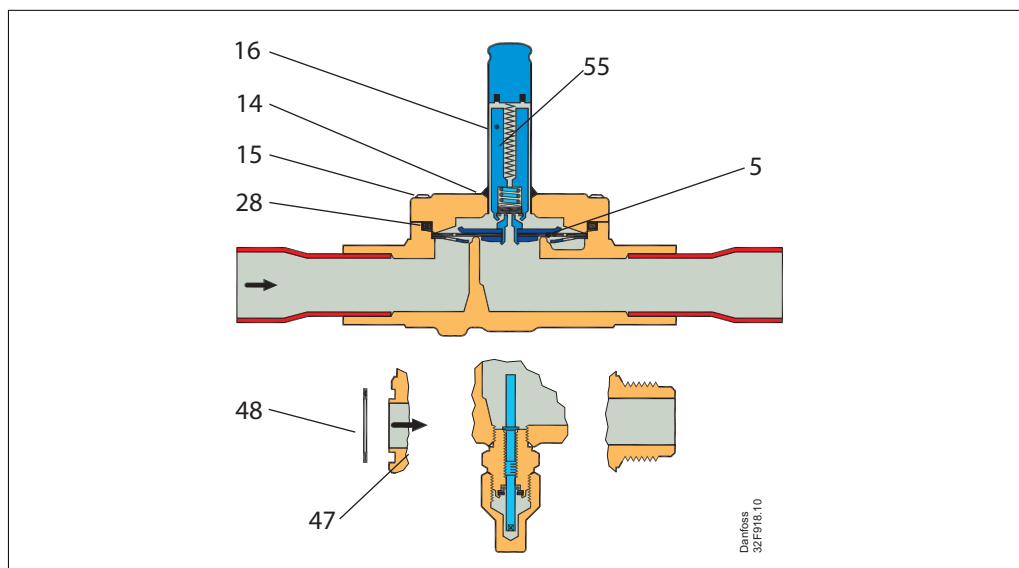
Type	Description	Pos. #	Qty.	Code no.
Seal kit				
EVR 15 and 20 (NC)	O-ring for armature tube	14	1	032F8196
	Rubber gasket (EVR 15)	28	1	
	Rubber gasket (EVR 20)	28	1	
	Packing (refrigeration gasket) (EVR 20)	48	2	
	Refrigeration gasket (EVR 15)	48	2	
Service kit				
EVR 15 and 18 (NC)	Diaphragm assembly	5	1	032F0187
	O-ring	14	1	
	Screw	15	4	
	Armature assembly	16	1	
	Rubber gasket	28	1	
	Refrigeration gasket	48	2	
	Compress spring	55	1	

EVR 15 - EVR 18 (NO)
Version 1



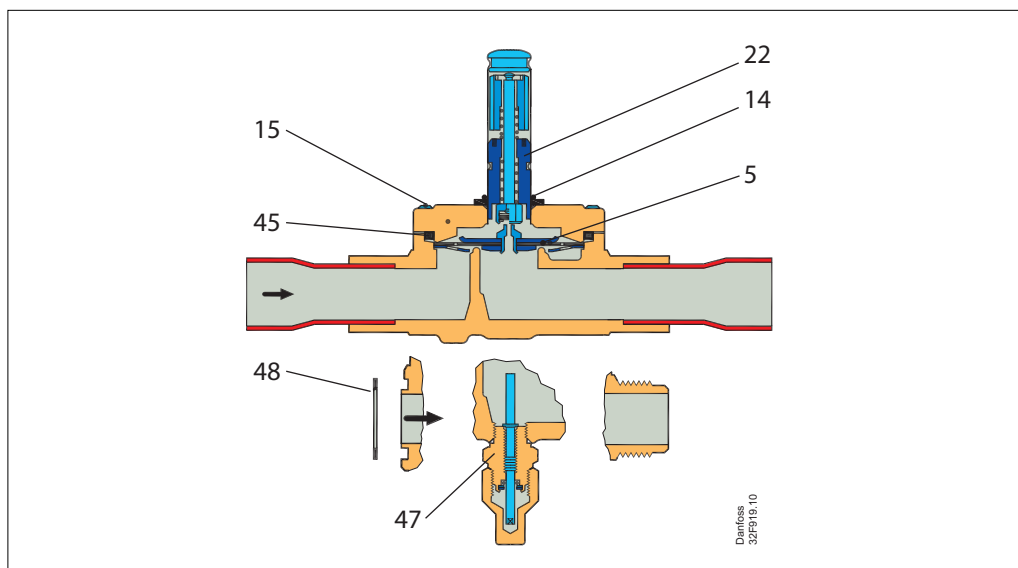
Type	Description	Pos. #	Qty.	Code no.
Seal kit				
EVR 15 and 20 (NO)	O-ring for armature tube	14	1	032F8196
	Rubber gasket (EVR 15)	45	1	
	Rubber gasket (EVR 20)	45	1	
	Packing (refrigeration gasket) (EVR 20)	48	2	
	Refrigeration gasket (EVR 15)	48	2	
Service kit				
EVR 15 and 18 (NO)	Diaphragm assembly	5	1	032F0188
	O-ring	14	1	
	Screw	15	4	
	Armature assembly (NO)	22	1	
	Rubber gasket	45	1	
	Refrigeration gasket	48	1	

EVR 20 - EVR 22 (NC)
Version 1



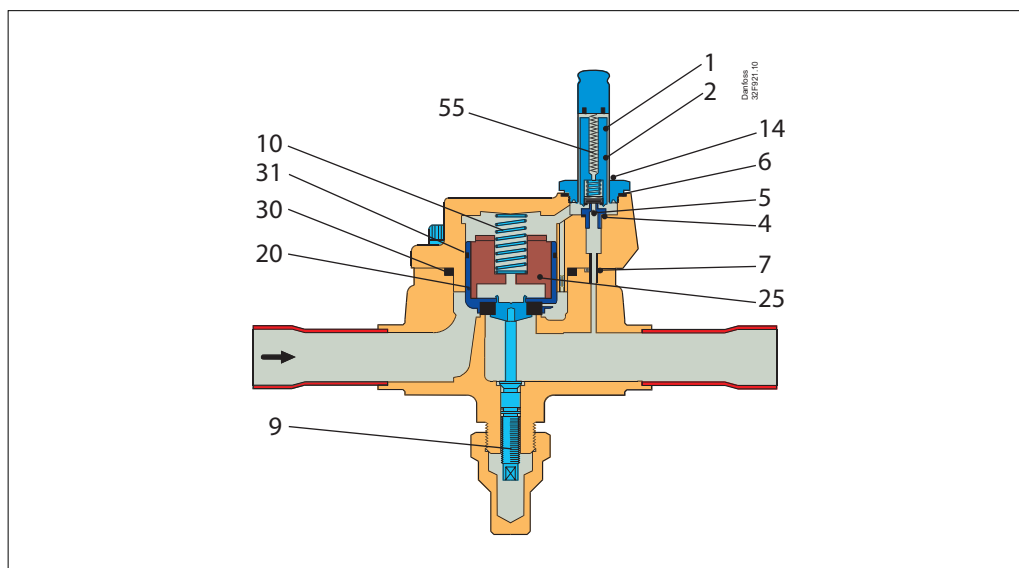
Type	Description	Pos. #	Qty.	Code no.
Seal kit				
EVR 20 and 22 (NC)	O-ring for armature tube	14	1	032F8196
	Rubber gasket (EVR 20 - EVR 22)	28	1	
	Packing (refrigeration gasket) (EVR 20)	48	2	
Service kit (AC)				
EVR 20 and 22 (NC)	Diaphragm assembly	5	1	032F0189
	O-ring	14	1	
	Screw	15	4	
	Armature assembly	16	1	
	Rubber gasket	28	1	
	Refrigeration gasket	48	1	
	Compress spring	55	1	
Service kit (DC)				
EVR 20 and 22 (NC)	Diaphragm assembly	5	1	032F0191
	O-ring	14	1	
	Screw	15	4	
	Armature assembly	16	1	
	Rubber gasket	28	1	
	Refrigeration gasket	48	1	
	Compress spring	55	1	
Manual spindle				
EVR 20 and 22 (NC)	Spindle assembly	47	1	032F0193

EVR 20 - EVR 22 (NO)
Version 1



Type	Description	Pos. #	Qty.	Code no.
Seal kit				
EVR 20 and 22 (NO)	O-ring for armature tube	14	1	032F8196
	Rubber gasket (EVR 20)	45	1	
	Packing (refrigeration gasket) (EVR 20)	48	2	
Service kit				
EVR 20 and 22 (NO)	Diaphragm assembly	5	1	032F0182
	O-ring	14	1	
	Screw	15	4	
	Armature unit assembly (NO)	22	1	
	Rubber gasket	45	1	
	Refrigeration gasket	48	2	
Manual spindle				
EVR 20 and 22 (NO)	Spindle assembly	47	1	032F0193

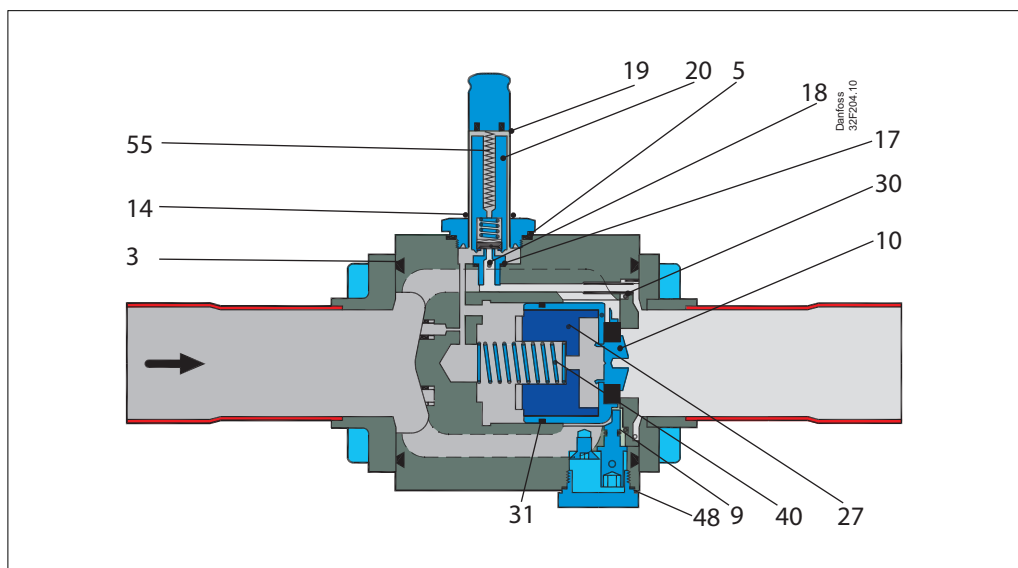
EVR 25 (NC)
Version 1



Type	Description	Pos. #	Qty.	Code no.
Seal kit				
EVR 25 (NC)	Al. gasket	4	1	032F2326
	Al. gasket	6	1	
	O-ring	7	1	
	O-ring	9	1	
	Rubber gasket	30	1	
Piston service kit				
EVR 25 (NC)	O-ring	7	1	032F3236
	Compression spring	10	1	
	O-ring	14	1	
	Piston assembly	20	1	
	Insert block	25	1	
	Rubber gasket	30	1	
Pilot service kit				
EVR 25 (NC)	Armature assembly	1	1	042H0165
	Armature tube	2	1	
	Al. gasket	4	1	
	Nozzle	5	1	
	Al. gasket	6	1	
	O-ring	14	1	
	Compression spring	55	1	

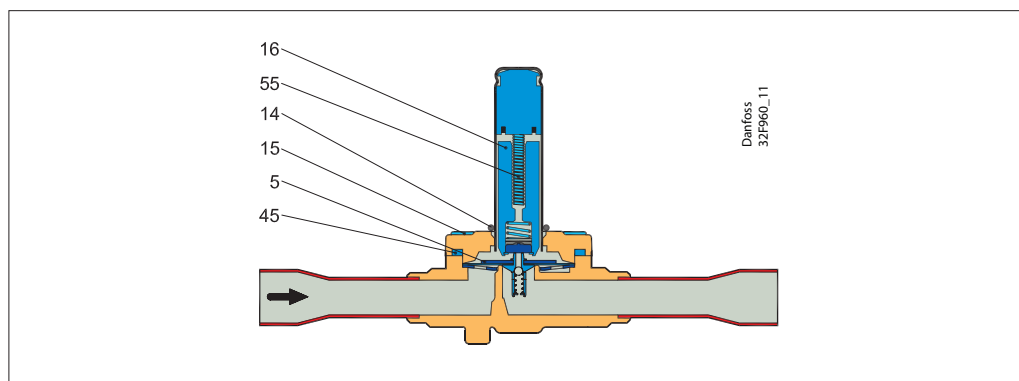
Note!
All code nos. are valid for EVR 25 with stainless steel piston as well as for EVR 25 with cast iron piston.

EVR 32 - EVR 40 (NC)
Version 1



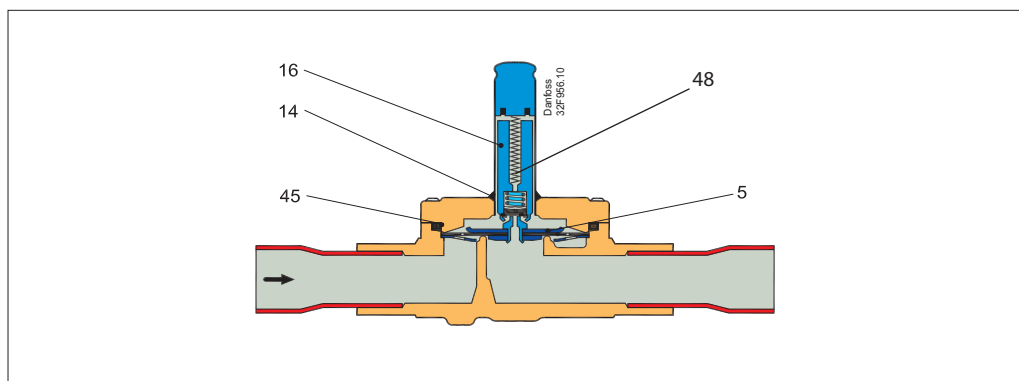
Type	Description	Pos. #	Qty.	Code no.
Seal kit				
EVR 32 - EVR 40 (NC)	O-ring	3	2	032F2327
	Al. gasket	5	1	
	O-ring	9	1	
	O-ring	14	1	
	Al. gasket	17	1	
Piston service kit				
EVR 32 - EVR 40 (NC)	O-ring	3	2	042H0172
	Al. gasket	5	1	
	O-ring	9	1	
	Piston assembly	10	1	
	O-ring	14	1	
	Insert block	27	1	
	O-ring	30	1	
	Piston ring	31	1	
	Compression spring	40	1	
Refrigeration gasket	48	1		
Pilot service kit				
EVR 32 - EVR 40 (NC)	Al. gasket	5	1	042H0165
	O-ring	14	1	
	Al. gasket	17	1	
	Orifice	18	1	
	Armature tube	19	1	
	Armature assembly	20	1	
	Compression spring	55	1	

EVRC 20 (NC)
Version 1



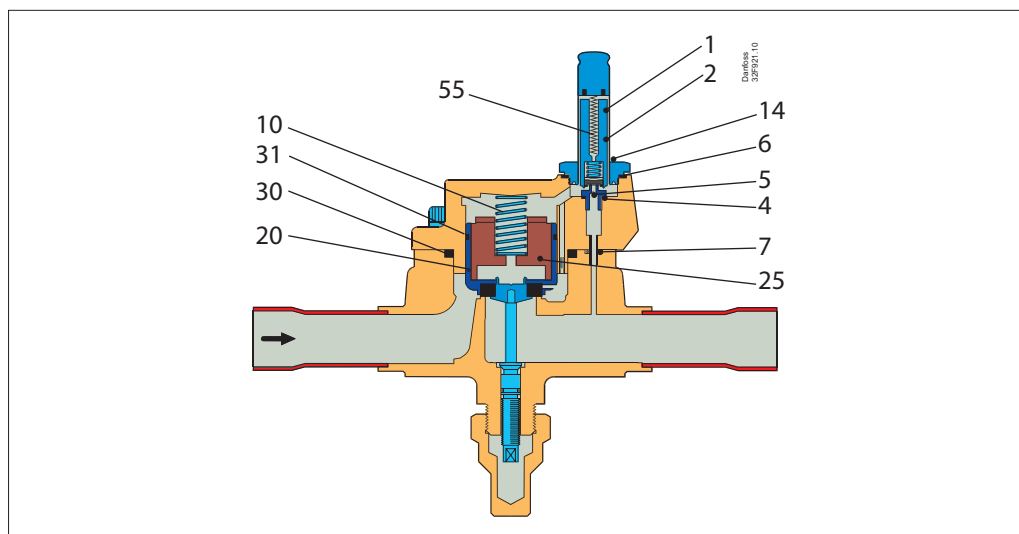
Type	Description	Pos. #	Qty.	Code no.
Service kit				
EVRC 20 (NC)	Diaphragm assembly	5	1	032F0296
	O-ring	14	1	
	Screw	15	4	
	Armature assembly	16	1	
	Rubber gasket	45	1	
	Compression spring	55	1	

**EVRH 10 - EVR 20 (NC)
Version 1**



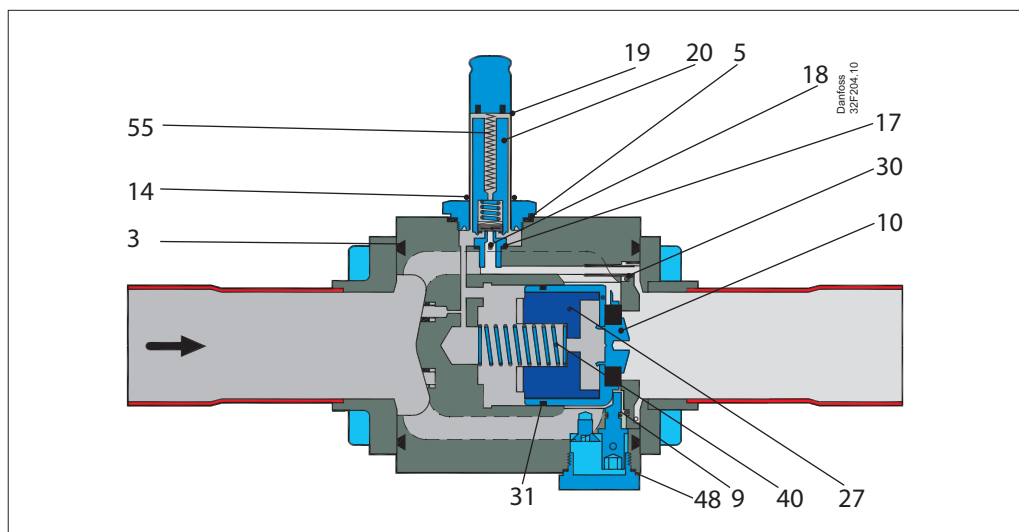
Type	Description	Pos. #	Qty.	Code no.
Seal kit				
EVRH 10 – 20 (NC)	Packing (refrigeration gasket) (EVRH 20)	-	2	032F8196
	Refrigeration gasket (EVRH 15)	-	2	
	O-ring, Armature tube	14	1	
	Rubber gasket (EVRH 10)	45	1	
	Rubber gasket (EVRH 15-18)	45	1	
	Rubber gasket (EVRH 20)	45	1	
Service kit				
EVRH 10 – 20 (NC)	Diaphragm assembly (EVRH 6)	5	1	032G1090
	Diaphragm assembly (EVRH 10)	5	1	
	Diaphragm assembly (EVRH 15)	5	1	
	Diaphragm assembly (EVRH 20)	5	1	
	O-ring	14	1	
	Armature assembly (Teflon)	46	1	
	Rubber gaskets (EVRH 6)	45	1	
	Rubber gaskets (EVRH 10)	45	1	
	Rubber gaskets (EVRH 15)	45	1	
	Rubber gaskets (EVRH 20)	45	1	

EVRH 25 (NC)
Version 1



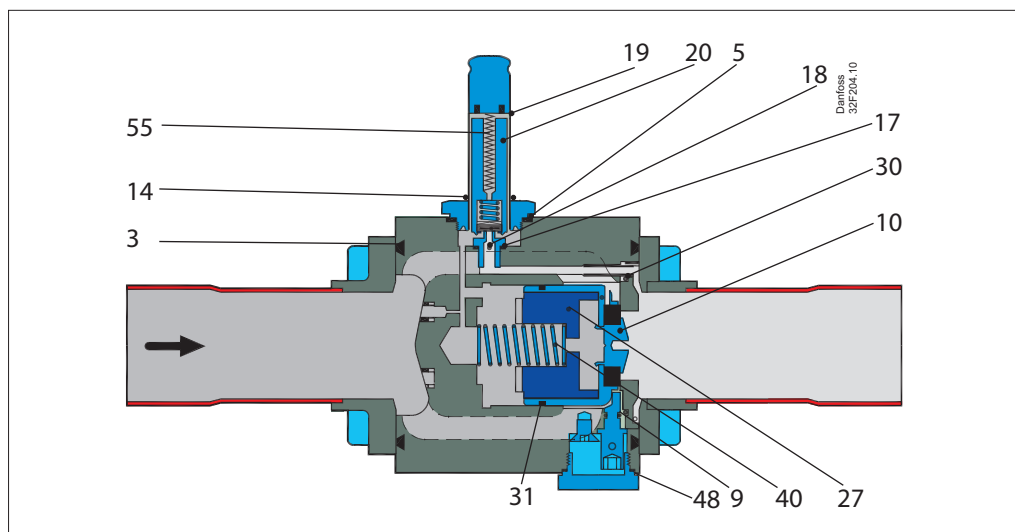
Type	Description	Pos. #	Qty.	Code no.
Seal kit				
EVRH 25 (NC)	Al. gasket	4	1	032F2326
	Al. gasket	6	1	
	O-ring	7	1	
	O-ring	14	1	
	Rubber gasket	30	1	
Piston service kit				
EVRH 25 (NC)	O-ring	7	1	032F3236
	Compression spring	10	1	
	O-ring	14	1	
	Piston assembly	20	1	
	Insert block	25	1	
	Rubber gasket	30	1	
	Piston ring	31	1	
Pilot service kit				
EVRH 25 (NC)	Armature assembly	1	1	042H0165
	Armature tube	2	1	
	Al. gasket	4	1	
	Nozzle	5	1	
	Al. gasket	6	1	
	O-ring	14	1	
	Compression spring	55	1	

EVRH 32 (NC)
with cast iron piston and
piston ring
Version 1



Type	Description	Pos. #	Qty.	Code no.
Seal kit				
EVRH 32 (NC)	O-ring	3	2	032F2327
	Al. gasket	5	1	
	O-ring	9	1	
	O-ring	14	1	
	Al. gasket	17	1	
Piston service kit				
EVRH 32 (NC)	O-ring	3	2	042H0172
	Al. gasket	5	1	
	O-ring	9	1	
	Piston assembly	10	1	
	O-ring	14	1	
	Insert block	27	1	
	O-ring	30	1	
	Piston ring	31	1	
	Compression spring	40	1	
Refrigeration gasket	48	1		
Pilot service kit				
EVRH 32 (NC)	Al. gasket	5	1	042H0165
	O-ring	14	1	
	Al. gasket	17	1	
	Orifice	18	1	
	Armature tube	19	1	
	Armature assembly	20	1	
	Compression spring	55	1	

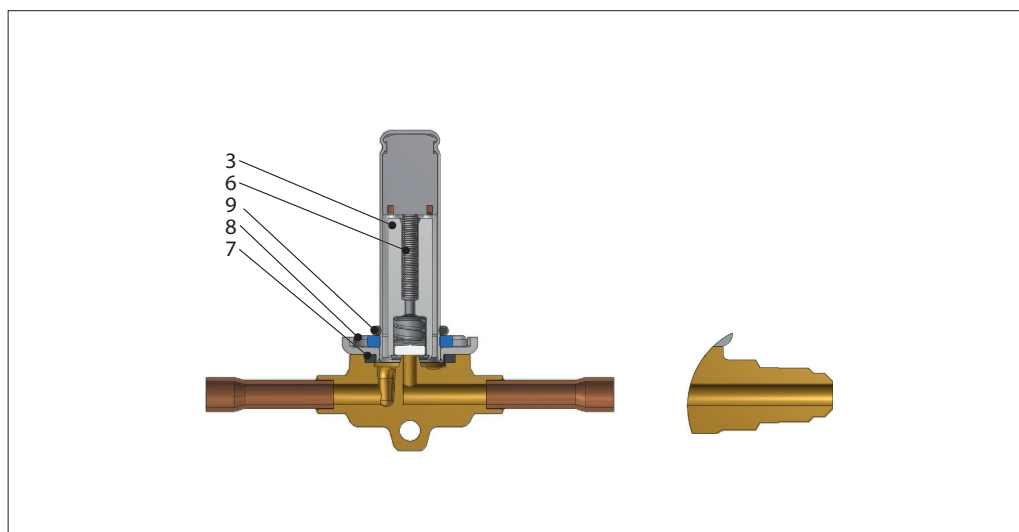
**EVRH 40 (NC)
with cast iron piston and
piston ring
Version 1**



Type	Description	Pos. #	Qty.	Code no.
Seal kit				
EVRH 40 (NC)	O-ring	3	2	032F2327
	Al. gasket	5	1	
	O-ring	9	1	
	O-ring	14	1	
	Al. gasket	17	1	
Piston service kit				
EVRH 40 (NC)	O-ring	3	2	042H0173
	Al. gasket	5	1	
	O-ring	9	1	
	Piston assembly	10	1	
	O-ring	14	1	
	Insert block	27	1	
	O-ring	30	1	
	Piston ring	31	1	
	Compression spring	40	1	
Refrigeration gasket	48	1		
Pilot service kit				
EVRH 40 (NC)	Al. gasket	5	1	042H0165
	O-ring	14	1	
	Al. gasket	17	1	
	Orifice	18	1	
	Armature tube	19	1	
	Armature assembly	20	1	
	Compression spring	55	1	

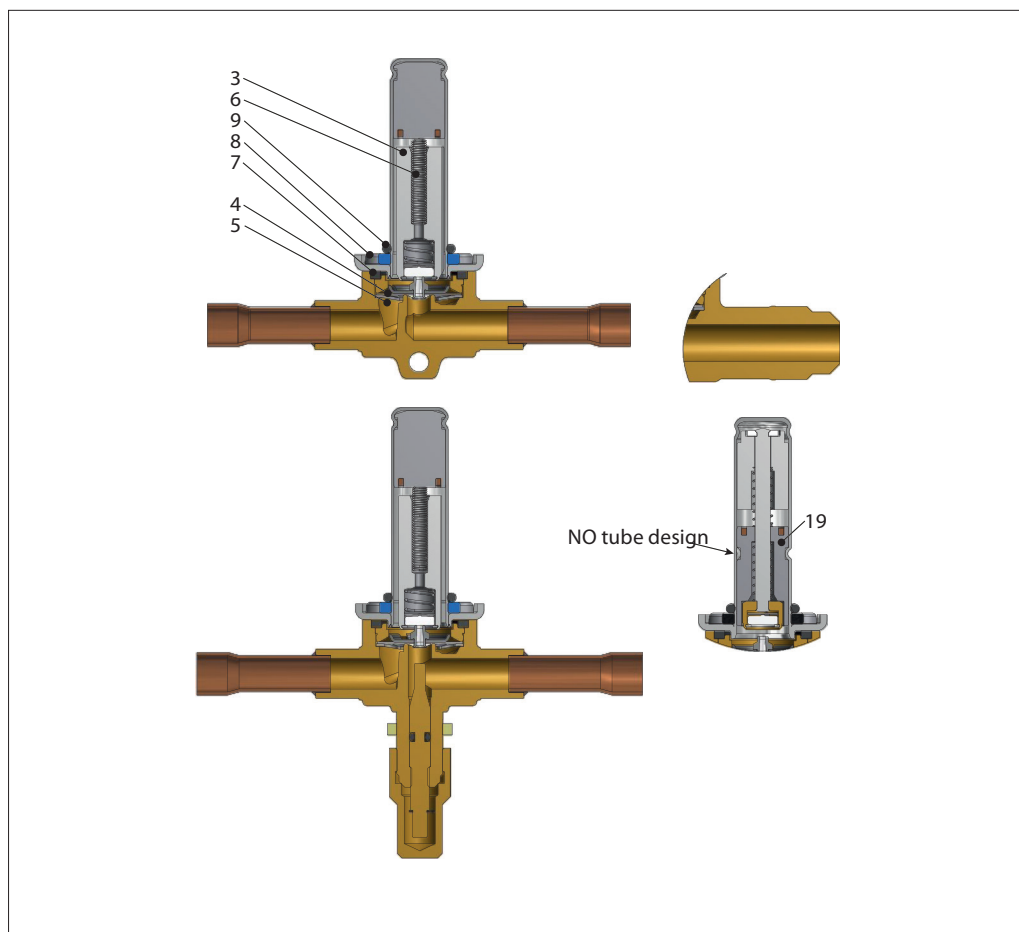
**EVR 2 - EVR 3 (NC)
Version 2**

The service kits are shared
with Version 1



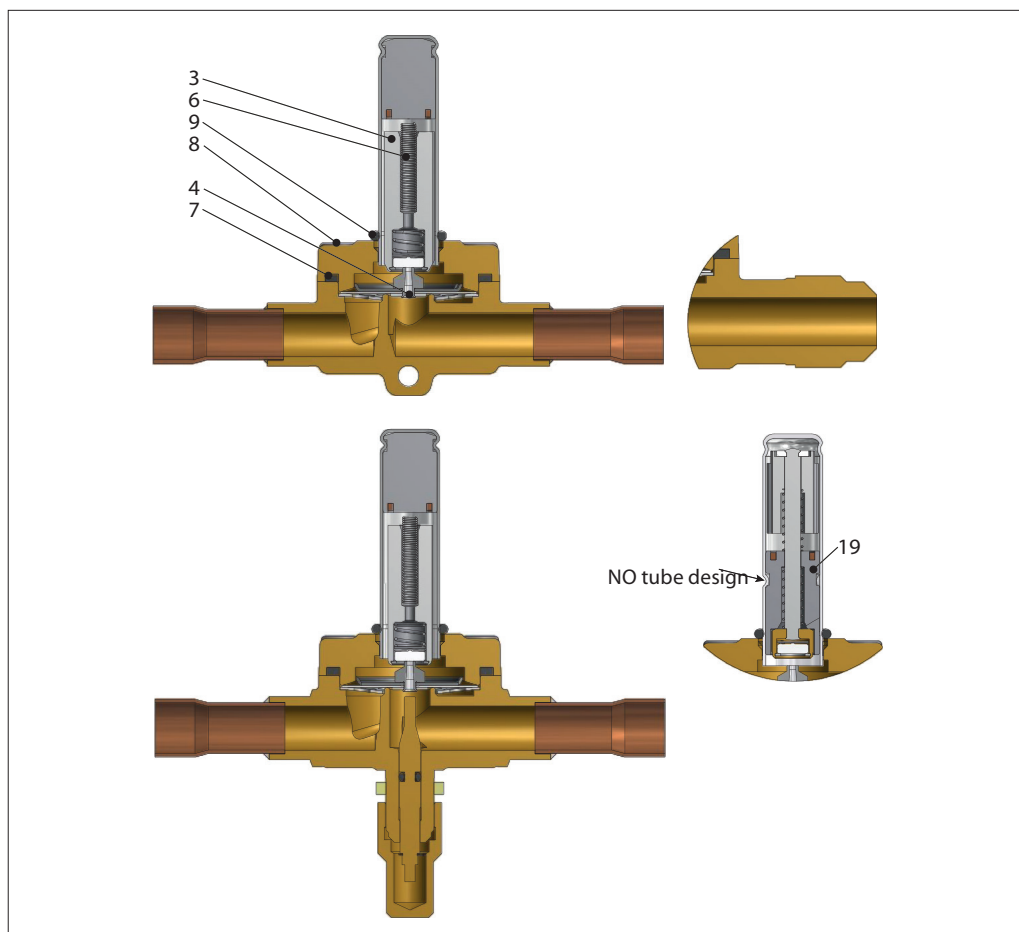
Type	Description	Pos. #	Qty.	Code no.
Service kit (AC)				
EVR 2 and 3 (NC)	O-ring	9	1	032F0181
	Screw	8	4	
	Armature assembly	3	1	
	Rubber gasket	7	1	
	Armature spring	6	1	

**EVR 4 - EVR 6 - EVR 8
Version 2**



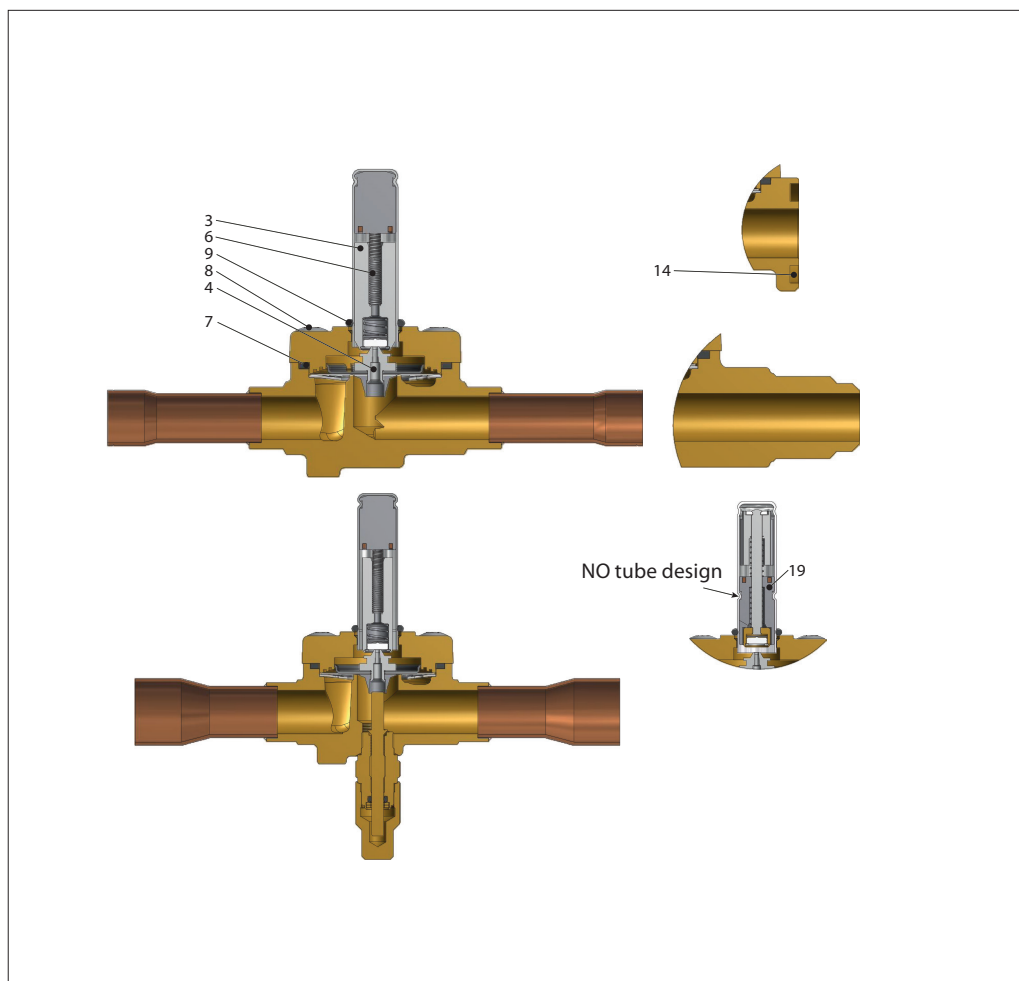
Type	Description	Pos. #	Qty.	Code no.
Seal kit				
EVR 4, 6, and 8 (NC/NO)	O-ring for armature tube	9	1	032L0548
	Rubber gasket	7	1	
	Support ring	4	1	
Service kit				
EVR 4 (NC)	Diaphragm assembly	5	1	032L0549
	O-ring for armature tube	9	1	
	Screw T15	8	4	
	Armature assembly	3	1	
	Rubber gasket	7	1	
	Support ring	4	1	
	Compress spring	6	1	
Service kit				
EVR 6 and 8 (NC)	Diaphragm assembly	5	1	032L0550
	O-ring	9	1	
	Screw	8	4	
	Armature assembly	3	1	
	Rubber gasket	7	1	
	Support ring	4	1	
	Compression ring	6	1	
Service kit				
EVR 6 and 8 (NO)	O-ring for armature tube	9	1	032L0551
	Rubber gasket	7	1	
	Support ring	4	1	
	Steel cover and armature assembly	19	1	
	Diaphragm assembly	5	1	
	Screw	8	1	

**EVR 10
Version 2**



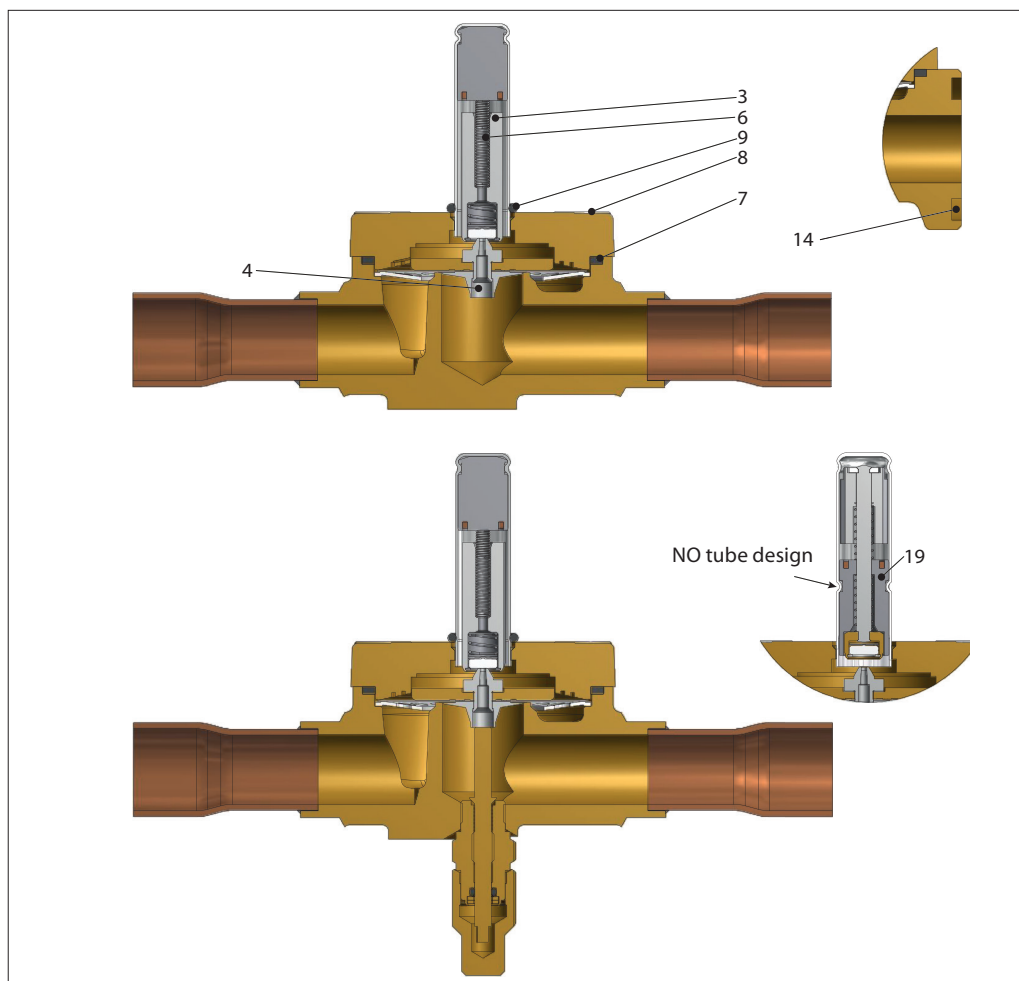
Type	Description	Pos. #	Qty.	Code no.
Seal kit				
EVR 10 (NO)	O-ring, Armature tube	9	1	032F8196
	Rubber gasket	7	1	
Service kit				
EVR 10 (NC)	Diaphragm assembly	4	1	032L0552
	O-ring	9	1	
	Screw	8	4	
	Armature assembly	3	1	
	Rubber gasket	7	1	
	Compress spring	6	1	
Service kit				
EVR 10 (NO)	Diaphragm assembly	4	1	032L0553
	O-ring	9	1	
	Screw	8	4	
	Cover assembly and armature assembly	19	1	
	Rubber gasket	7	1	

EVR 15 - EVR 18
Version 2



Type	Description	Pos. #	Qty.	Code no.
Seal kit				
EVR 15 and 18 (NO)	O-ring, Armature tube	9	1	032F8196
	Rubber gasket	7	1	
Service kit				
EVR 15 and 18 (NC)	Diaphragm assembly	4	1	032L0554
	O-ring	9	1	
	Screw	8	4	
	Armature assembly	3	1	
	Rubber gasket	7	1	
	Refrigeration gasket (flange connection)	14	1	
	Compress spring	6	1	
Service kit				
EVR 15 and 18 (NO)	Diaphragm assembly	4	1	032L0555
	O-ring	9	1	
	Screw	8	4	
	Cover assembly and armature assembly	19	1	
	Rubber gasket	7	1	
	Refrigeration gasket (flange connection)	14	1	

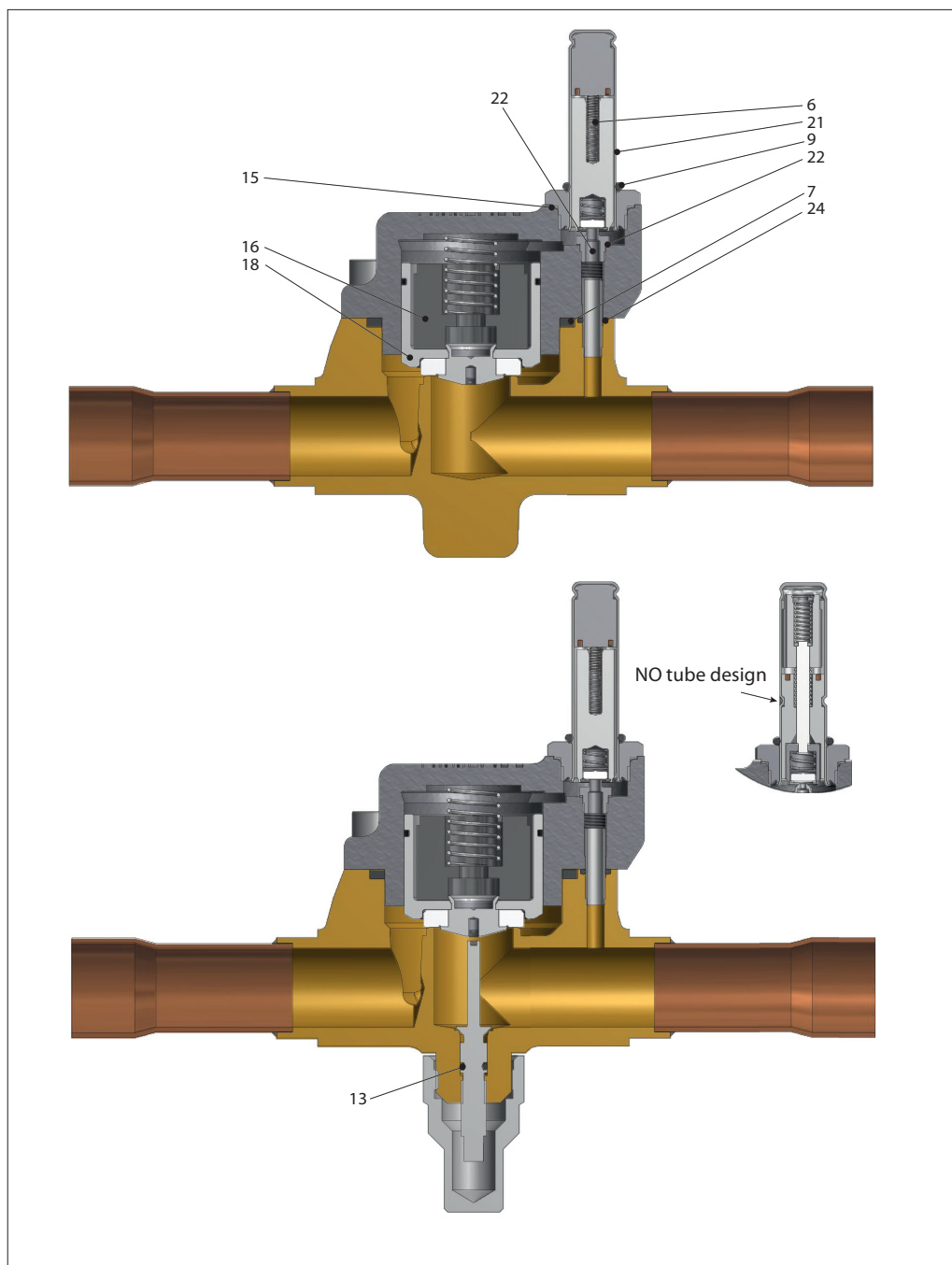
EVR 20 - EVR 22
Version 2



Type	Description	Pos. #	Qty.	Code no.
Seal kit				
EVR 20 and 22 (NC/NO)	O-ring, Armature tube	9	1	032F8196
	Rubber gasket	7	1	
Service kit				
EVR 20 and 22 (NC)	Diaphragm assembly	4	1	032L0556
	O-ring	9	1	
	Screw	8	4	
	Armature assembly	3	1	
	Rubber gasket	7	1	
	Refrigeration gasket (flange connection)	14	1	
Service kit				
EVR 20 and 22 (NO)	Diaphragm assembly	4	1	032L0557
	O-ring	9	1	
	Screw	8	4	
	Cover assembly and armature assembly	19	1	
	Rubber gasket	7	1	
	Refrigeration gasket (flange connection)	14	2	

**EVR 25
Version 2**

The service kits are shared
with Version 1



Type	Description	Pos. #	Qty.	Code no.
Seal kit				
EVR 25 (NC)	Al. gasket	15	1	032F2326
	Al. gasket	23	1	
	O-ring	24	1	
	O-ring	9	1	
	O-ring	13	1	
	Rubber gasket	7	1	

Note!
All code nos. are valid for EVR 25 with stainless steel piston as well as for EVR 25 with cast iron piston.

Data sheet - Spare parts and accessories | Solenoid valve, types EVR 2 - EVR 40

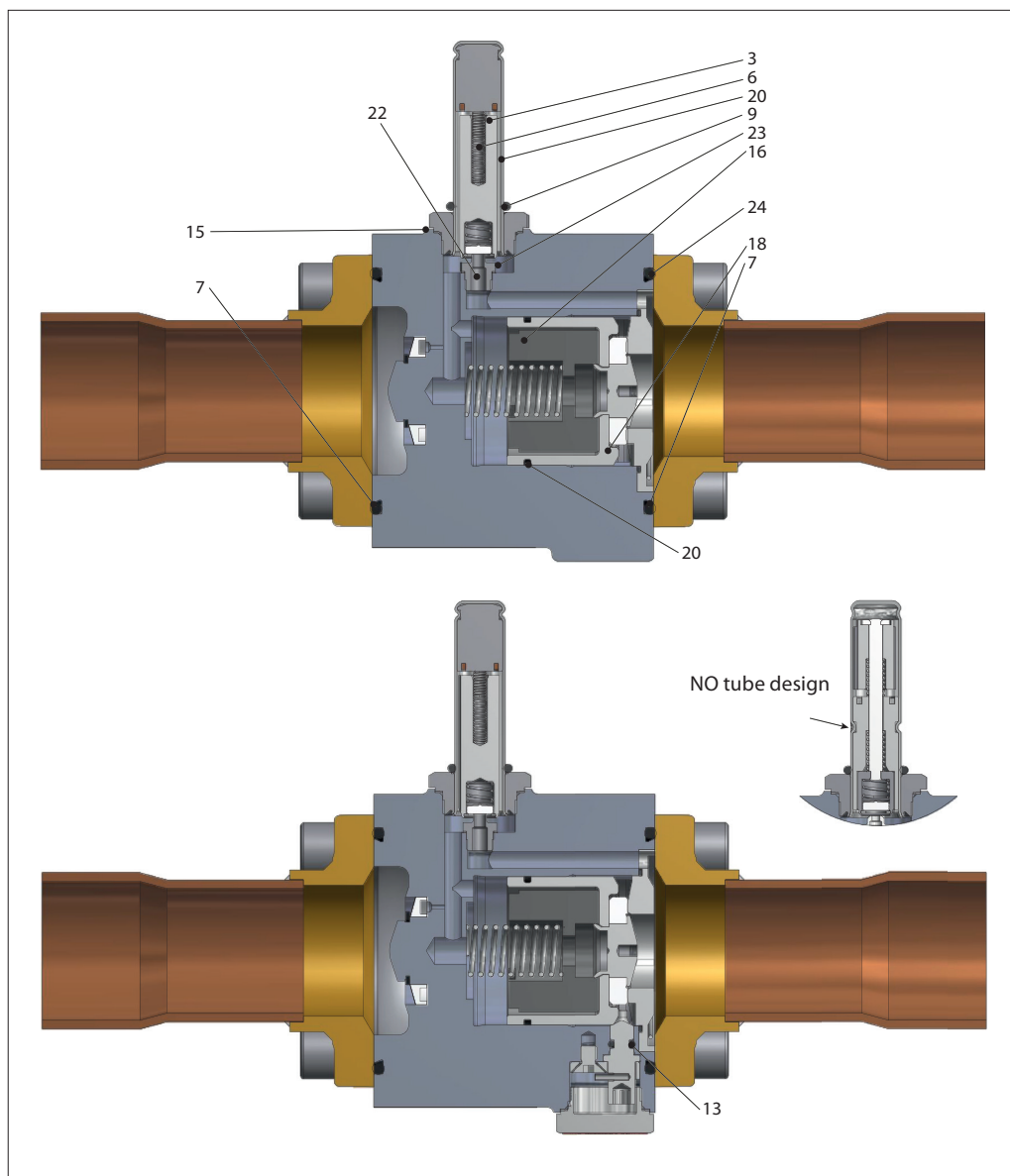
**EVR 25
Version 2**

**The service kits are shared
with Version 1
(continued)**

Type	Description	Pos. #	Qty.	Code no.
Piston service kit				
EVR 25 (NC)	O-ring	9	1	032F3236
	Compression spring	6	1	
	O-ring	24	1	
	Piston assembly	18	1	
	Insert block	16	1	
	Rubber gasket	7	1	
	Piston ring	20	1	
Pilot service kit				
EVR 25 (NC)	Armature assembly	3	1	042H0165
	Armature tube	21	1	
	Al. gasket	23	1	
	Nozzle	22	1	
	Al. gasket	15	1	
	O-ring	14	1	
	Compression spring	6	1	

**EVR 32
Version 2**

The service kits are shared
with Version 1



Type	Description	Pos. #	Qty.	Code no.
Seal kit				
EVR 32 (NC)	O-ring	7	2	032F2327
	Al. gasket	15	1	
	O-ring	9	1	
	O-ring	24	1	
	Al. gasket	23	1	

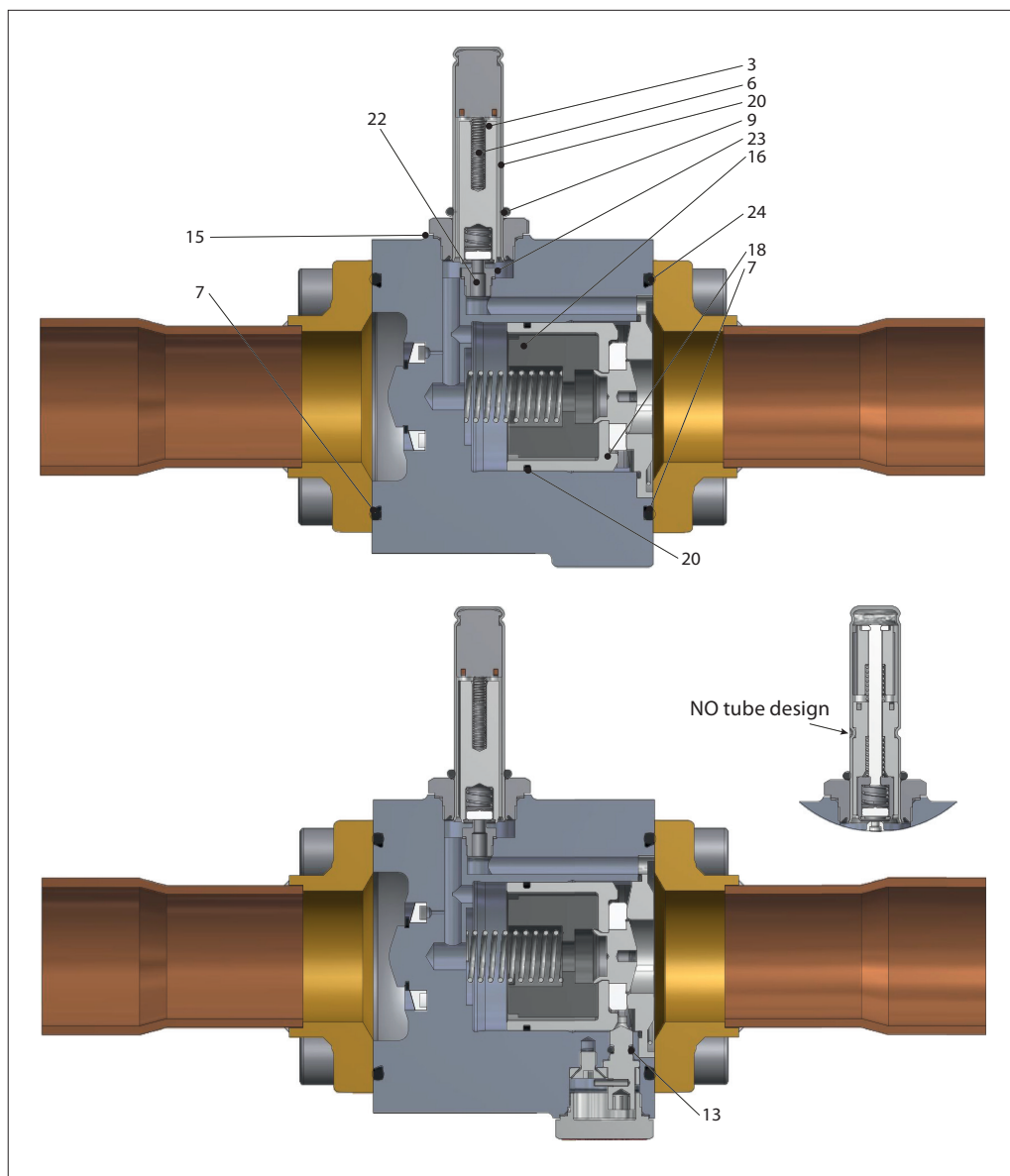
**EVR 32
Version 2**

**The service kits are shared
with Version 1
(continued)**

Type	Description	Pos. #	Qty.	Code no.
Piston service kit				
EVR 32 (NC)	O-ring	7	2	042H0172
	Al. gasket	15	1	
	O-ring	13	1	
	Piston assembly	18	1	
	O-ring	9	1	
	Insert block	16	1	
	O-ring	24	1	
	Piston ring	20	1	
	Compression spring	6	1	
Refrigeration gasket	25	1		
Pilot service kit				
EVR 32 (NC)	Al. gasket	15	1	042H0165
	O-ring	9	1	
	Al. gasket	23	1	
	Nozzle	22	1	
	Armature tube	21	1	
	Armature assembly	3	1	
	Compression spring	6	1	

**EVR 40
Version 2**

The service kits are shared
with Version 1



Type	Description	Pos. #	Qty.	Code no.
Seal kit				
EVR 40 (NC)	O-ring	7	2	032F2327
	Al. gasket	15	1	
	O-ring	9	1	
	O-ring	24	1	
	Al. gasket	23	1	

**EVR 40
Version 2**

**The service kits are shared
with Version 1
(continued)**

Type	Description	Pos. #	Qty.	Code no.
Piston service kit				
EVR 40 (NC)	O-ring	7	2	042H0173
	Al. gasket	15	1	
	O-ring	13	1	
	Piston assembly	18	1	
	O-ring	9	1	
	Insert block	16	1	
	O-ring	24	1	
	Piston ring	20	1	
	Compression spring	6	1	
Refrigeration gasket	25	1		
Pilot service kit				
EVR 40 (NC)	Al. gasket	15	1	042H0165
	O-ring	9	1	
	Al. gasket	23	1	
	Orifice	22	1	
	Armature tube	21	1	
	Armature assembly	3	1	
Compression spring	6	1		