



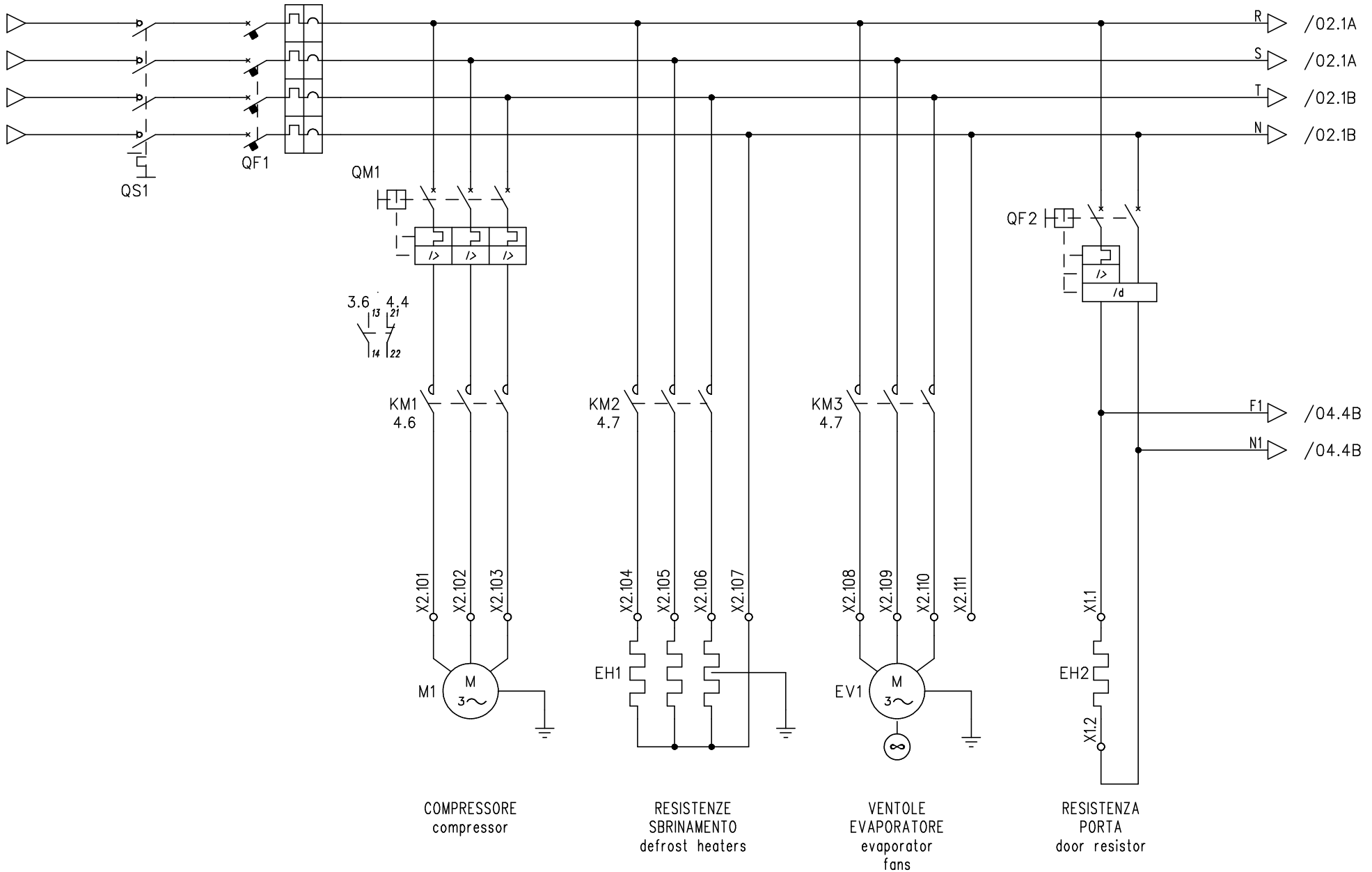
Commessa

5TLX7502EV3++

COPYING OF THIS DOCUMENT, AND GIVING IT TO OTHERS AND THE USE OR COMMUNICATION OF THE CONTENTS THEREOF, ARE FORBIDDEN WITHOUT EXPRESS AUTHORITY. OFFENDERS ARE LIABLE TO THE PAYMENT OF DAMAGES. ALL RIGHTS ARE RESERVED IN THE EVENT OF THE GRANT OF A PATENT OF THE REGISTRATION OF A UTILITY MODEL OR DESIGN.


DESIGN TYPE				DEFAULT VOLTAGE	400 Vac	STANDARD	CEI 44-6	ENCLOSURE
SERIE				501...	CONTROLS VOLTAGE	230 Vac	+ =	
ORDER CODE				5TLX7502EV3++	SIGNALS VOLTAGE	230 Vac		
CUSTOMER				PEGO		ECP 750 PD BASE 2EV		
DESIGNED WITH CAD/CAE SYSTEM				Sabik 9				
					DATE	SIGNAT.	SCHEMA FUNZIONALE TABELLE DI RIEPILOGO MORSETTIERE	
				COMM.	13/06/2013			
				CHECK.	13/06/2013			
				APPROV.	13/06/2013			
							PEGO	
							SHEET 0	
							T.S. 7	
REV.	REVISION DESCRIPTION	DATE	COMMISS.	SUB. FOR:		SUBST.:		ORIGIN:

INTERRUTTORE
GENERALE
main switch



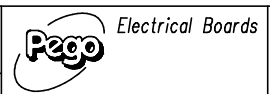
COPYING OF THIS DOCUMENT AND GIVING IT TO OTHERS AND THE USE OR COMMUNICATION OF THE CONTENTS THEREOF ARE FORBIDDEN WITHOUT EXPRESS AUTHORITY. OFFENDERS ARE LIABLE TO THE PAYMENT OF DAMAGES. ALL RIGHTS ARE RESERVED IN THE EVENT OF THE GRANT OF A PATENT OF THE REGISTRATION OF A UTILITY MODEL OR DESIGN.

PROJECT: 5TLX7502EV3++
 FILE NAME: 5TLX7502EV3+++.sch
 TYPE:

DATE	13/06/2013	 Electrical Boards	5TLX7502EV3++	=	5TLX7502EV3++
COMMISS.	Davide			+	
CHECKED BY				SHEET	1
APPROV.				N.S.	2
				T.F.	7

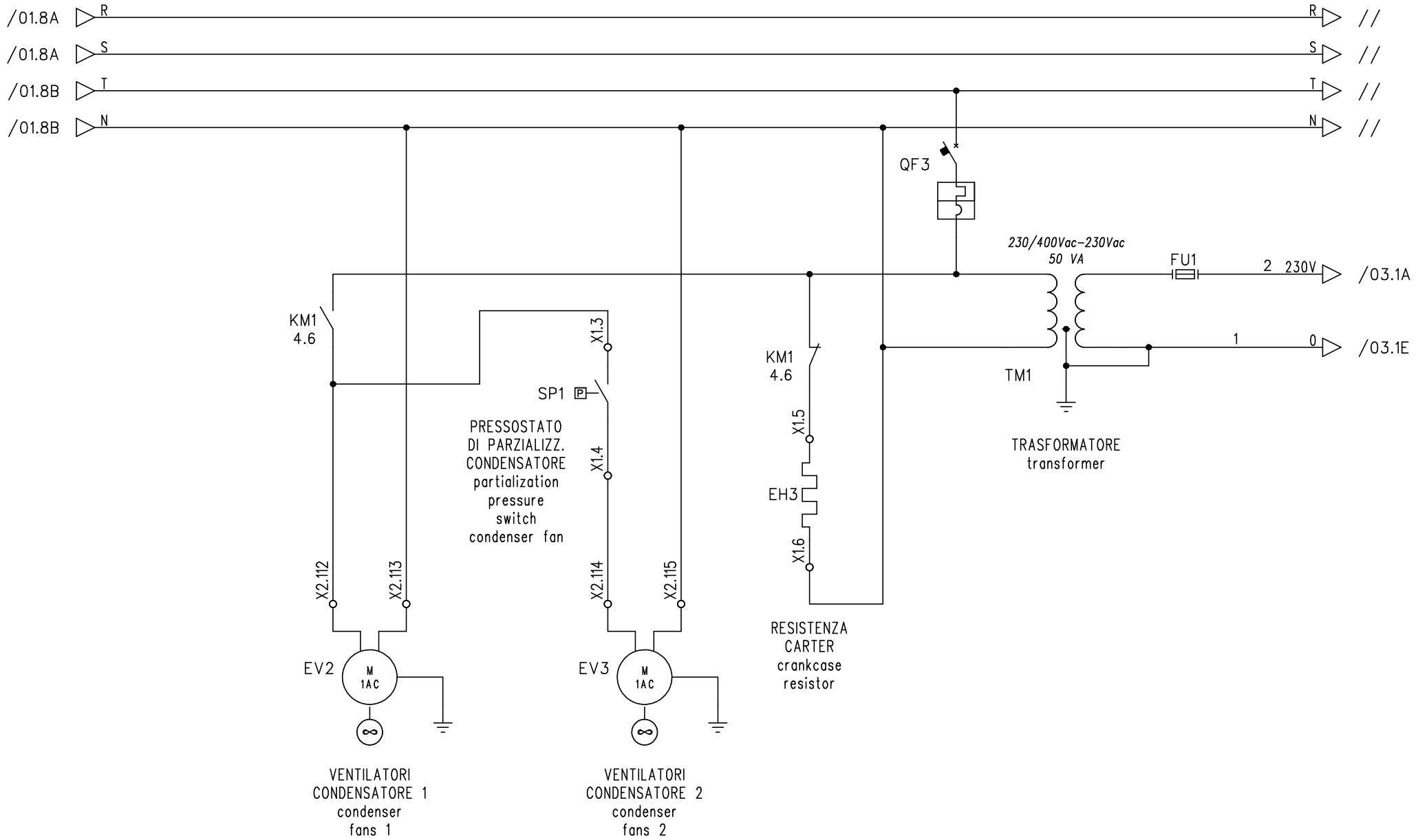
PROJECT: 5TLX7502EV3++.sch
 FILE NAME: 5TLX7502EV3++.sch
 TYPE:

DATE	13/06/2013
COMMISS.	Davide
CHECKED BY	
APPROV.	



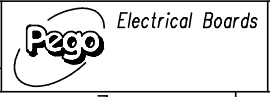
5TLX7502EV3++

=	5TLX7502EV3++
+	
	SHEET 2
N.S. 3	T.F. 7



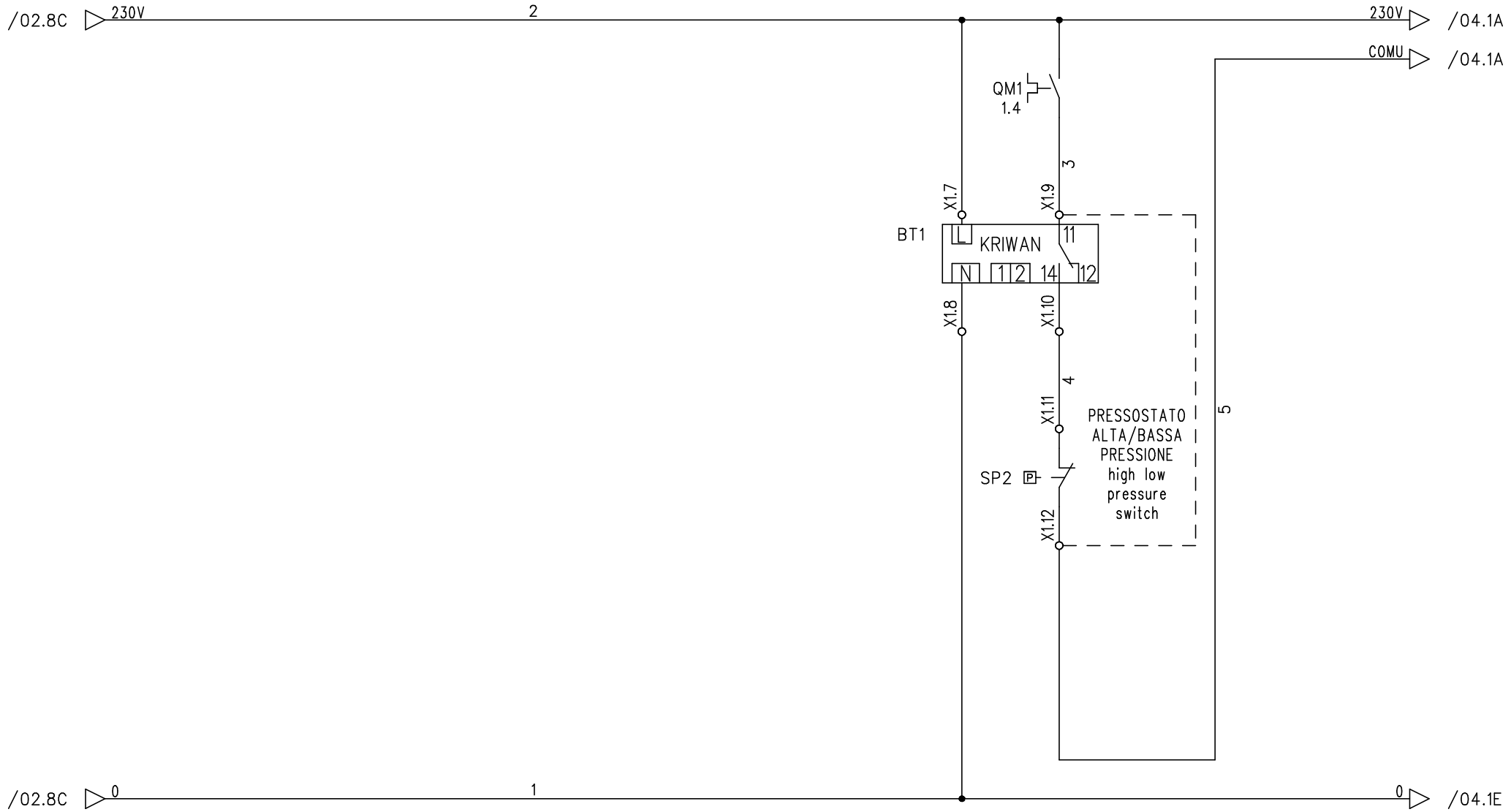
PROJECT: 5TLX7502EV3++.sch
 FILE NAME: 5TLX7502EV3++.sch
 TYPE:

DATE	13/06/2013
COMMISS.	Davide
CHECKED BY	
APPROV.	

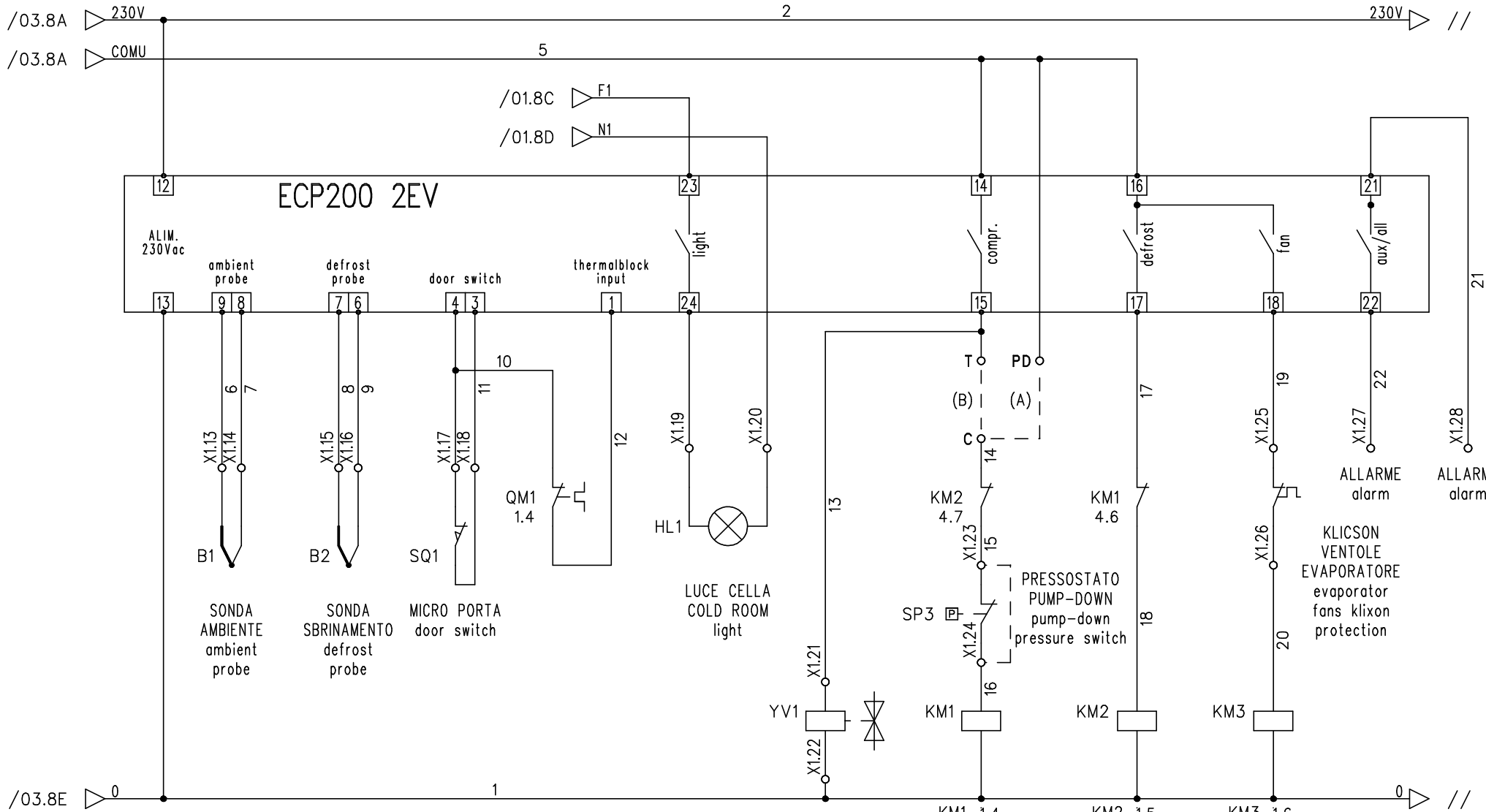


5TLX7502EV3++

=	5TLX7502EV3++
+	
SHEET	3
N.S.	4
T.F.	7



PARAMETRO nrE=1 NON MODIFICARE
PARAMETTER nrE=1 DO NOT MODIFY



COPYING OF THIS DOCUMENT AND GIVING IT TO OTHERS AND THE USE OR COMMUNICATION OF THE CONTENTS THEREOF ARE FORBIDDEN WITHOUT EXPRESS AUTHORITY. OFFENDERS ARE LIABLE TO THE PAYMENT OF DAMAGES. ALL RIGHTS ARE RESERVED IN THE EVENT OF THE GRANT OF A PATENT OF THE REGISTRATION OF A UTILITY MODEL OR DESIGN.

PROJECT: 5TLX7502EV3++.sch
 FILE NAME: 5TLX7502EV3++.sch
 TYPE:

SELEZIONE FUNZIONAMENTO:
 functioning mode selection
 PONTE (A): FUNZIONAMENTO CON PUMP-DOWN
 jump (A): pump-down mode selection
 PONTE (B): FUNZIONAMENTO CON TERMOSTATO
 jump (B): thermostat mode selection

PROJECT: 5TLX7502EV3+++.sch
 TYPE:
 COPYING OF THIS DOCUMENT, AND GIVING IT TO OTHERS AND THE USE OR COMMUNICATION OF THE CONTENTS THEREOF, ARE FORBIDDEN WITHOUT EXPRESS AUTHORITY. OFFENDERS ARE LIABLE TO THE PAYMENT OF DAMAGES. ALL RIGHTS ARE RESERVED IN THE EVENT OF THE GRANT OF A PATENT OF THE REGISTRATION OF A UTILITY MODEL OR DESIGN

X1

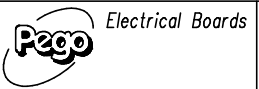
1	EH2	RESISTENZA PORTA	1.7
2	EH2	door resistor	1.7
3	SP1	RESISTENZA PORTA	2.4
4	SP1	door resistor	2.4
5	EH3	PRESSOSTATO DI PARZIALIZZ. CONDENSATORE	2.5
6	EH3	partialization pressure switch condenser fan	2.5
7	BT1	PRESSOSTATO DI PARZIALIZZ. CONDENSATORE	3.6
8	BT1	partialization pressure switch condenser fan	3.6
9	BT1	RESISTENZA CARTER	3.6
10	BT1	crankcase resistor	3.6
11	SP2	RESISTENZA CARTER	3.6
12	SP2	crankcase resistor	3.6
13	B1	ALIMENTAZIONE KRIWAN	4.2
14	B1	KRIWAN POWER SUPPLY	4.2
15	B2	ALIMENTAZIONE KRIWAN	4.3
16	B2	KRIWAN POWER SUPPLY	4.3
17	S01	COMUNE KRIWAN	4.3
18	S01	KRIWAN COMMON	4.3
19	HL1	CONSENSO KRIWAN	4.4
20	HL1	KRIWAN ENABLE SIGNAL	4.4
21	YV1	PRESSOSTATO ALTA/BASSA PRESSIONE	4.5
22	YV1	high low pressure switch	4.5
23	SP3	PRESSOSTATO ALTA/BASSA PRESSIONE	4.5
24	SP3	high low pressure switch	4.5
25		SONDA AMBIENTE	4.7
26		ambient probe	4.7
27		SONDA AMBIENTE	4.8
28		ambient probe	4.8
		SONDA SBRINAMENTO	
		defrost probe	
		SONDA SBRINAMENTO	
		defrost probe	
		MICRO PORTA	
		door switch	
		MICRO PORTA	
		door switch	
		LUCE CELLA	
		COLD ROOM light	
		LUCE CELLA	
		COLD ROOM light	
		SOLENOIDE LIQUIDA	
		liquid solenoid valve	
		SOLENOIDE LIQUIDA	
		liquid solenoid valve	
		PRESSOSTATO PUMP-DOWN	
		pump-down pressure switch	
		PRESSOSTATO PUMP-DOWN	
		pump-down pressure switch	
		KLICSON VENTOLE EVAPORATORE	
		evaporator fans klixon protection	
		KLICSON VENTOLE EVAPORATORE	
		evaporator fans klixon protection	
		ALLARME	
		alarm	
		ALLARME	
		alarm	

COPYING OF THIS DOCUMENT, AND GIVING IT TO OTHERS AND THE USE OR COMMUNICATION OF THE CONTENTS THEREOF, ARE FORBIDDEN WITHOUT EXPRESS AUTHORITY. OFFENDERS ARE LIABLE TO THE PAYMENT OF DAMAGES. ALL RIGHTS ARE RESERVED IN THE EVENT OF THE GRANT OF A PATENT OF THE REGISTRATION OF A UTILITY MODEL OR DESIGN.

PROJECT: 5TLX7502EV3++.sch
FILE NAME: 5TLX7502EV3++.sch
TYPE:

DATE 13/06/2013
COMMISS. Davide
CHECKED BY
APPROV.

RIEPILOGO MORSETTI
TERMINAL BOARD SUMMARY
SUBST.:
SUB. FOR:



5TLX7502EV3++

= 5TLX7502EV3++
+
SHEET X2-001
N.S. T.F. 7

X2

	101	102	103	104	105	106	107	108	109	110	111	112	113	114	115								
	M1	M1	M1	EHI	EHI	EHI	EHI	EV1	EV1	EV1	QF2	EV2	EV2	EV3	EV3								
	1.4	1.4	1.4	1.5	1.5	1.5	1.5	1.6	1.6	1.6	1.6	2.3	2.3	2.4	2.5								
	COMPRESSORE	COMPRESSORE	COMPRESSORE	RESISTENZE SBRINAMENTO	RESISTENZE SBRINAMENTO	RESISTENZE SBRINAMENTO	RESISTENZE SBRINAMENTO	VENTOLE EVAPORATORE	VENTOLE EVAPORATORE	VENTOLE EVAPORATORE	NEUTRO PER VENTOLE EVAPORATORE	VENTILATORI CONDENSATORE 1	VENTILATORI CONDENSATORE 1	VENTILATORI CONDENSATORE 2	VENTILATORI CONDENSATORE 2								
	compressor	compressor	compressor	defrost heaters	defrost heaters	defrost heaters	defrost heaters	evaporator fans	evaporator fans	evaporator fans	*****	condenser fans 1	condenser fans 1	condenser fans 2	condenser fans 2								