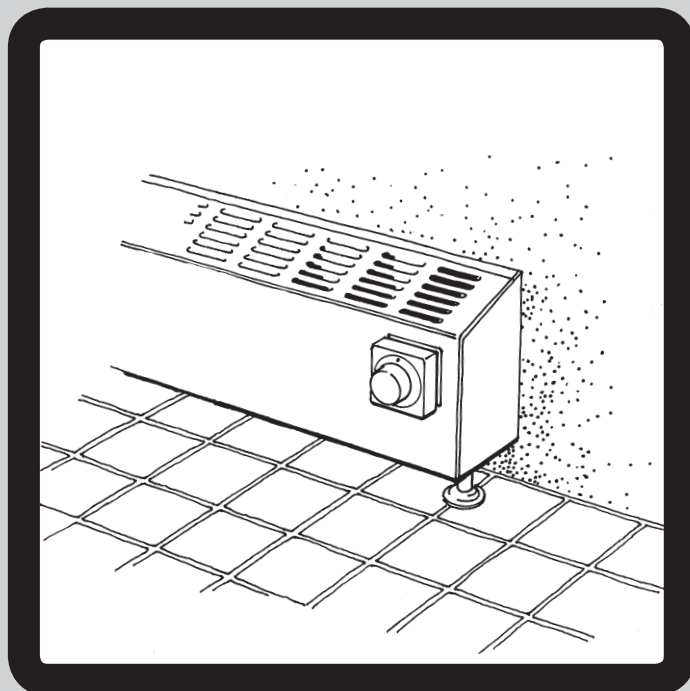


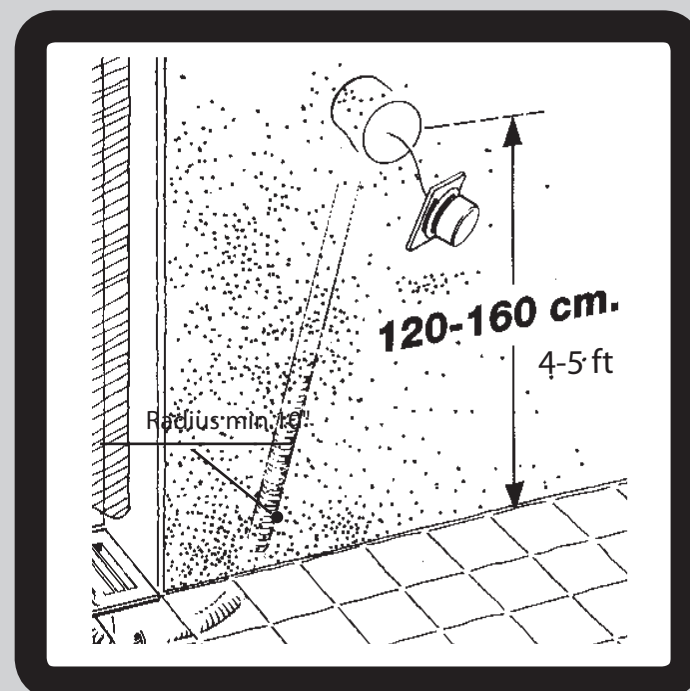
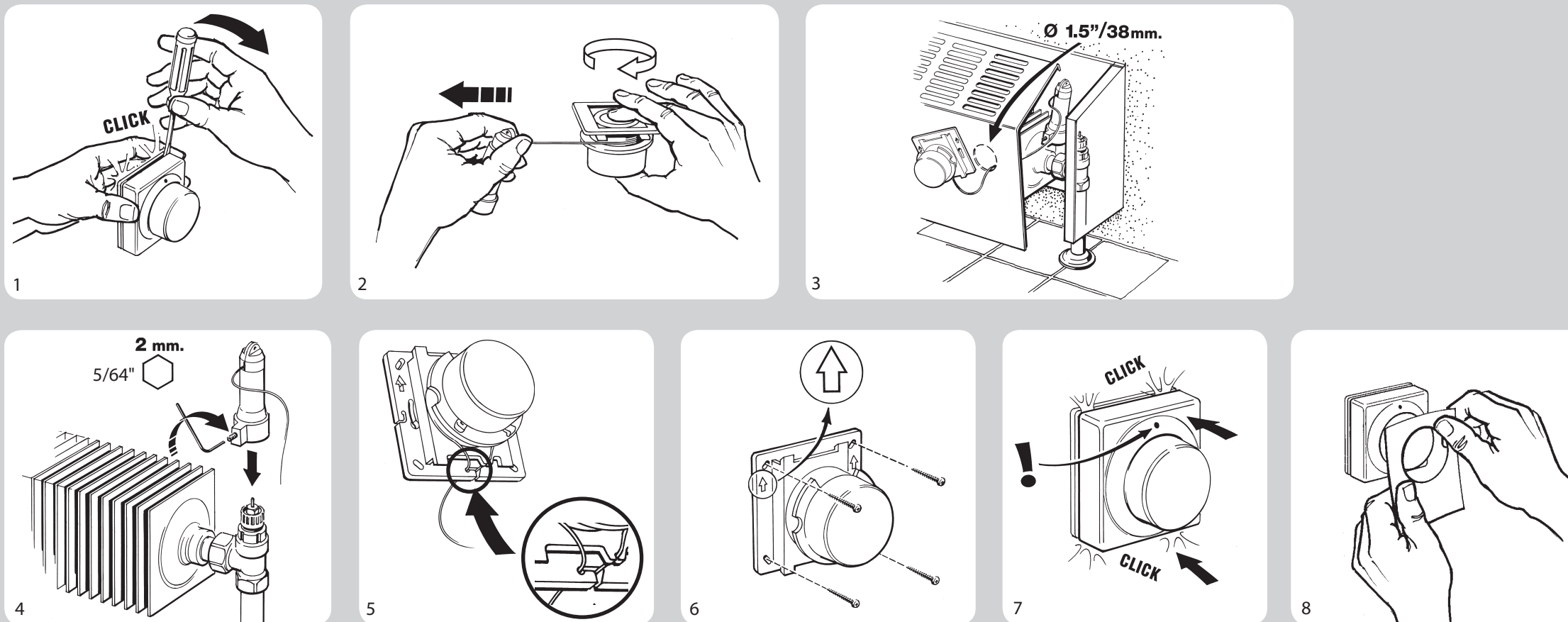


013R9223

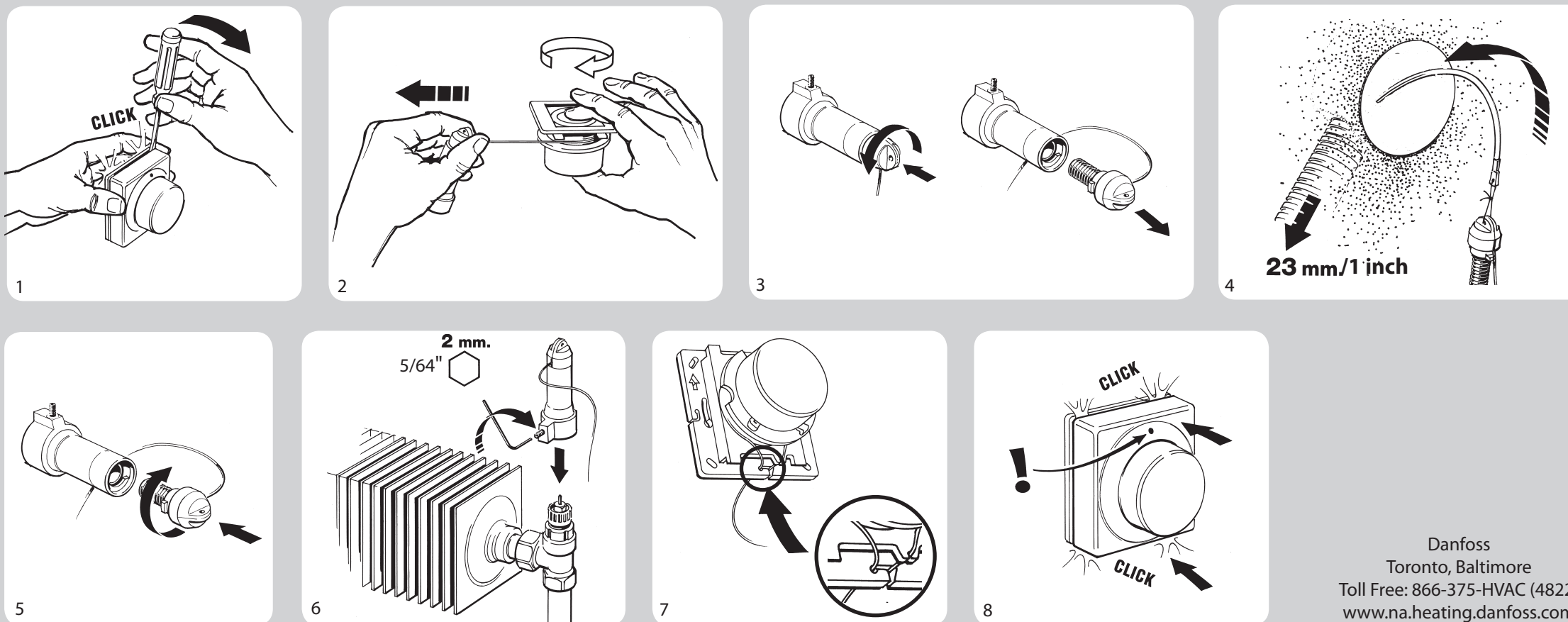
013R9223



Mounting on convector with Danfoss RA 2000 valve



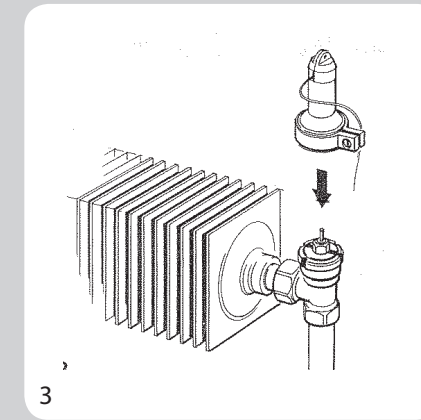
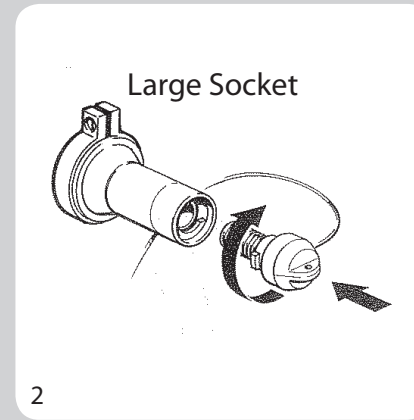
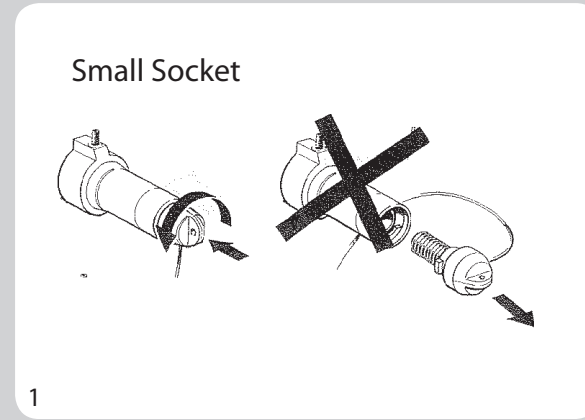
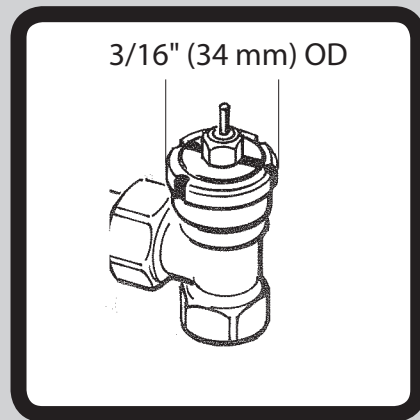
Installing operator through conduit with Danfoss RA 2000 valve



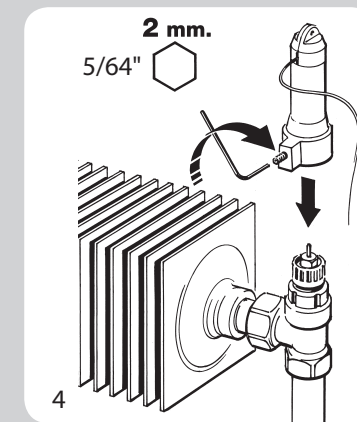
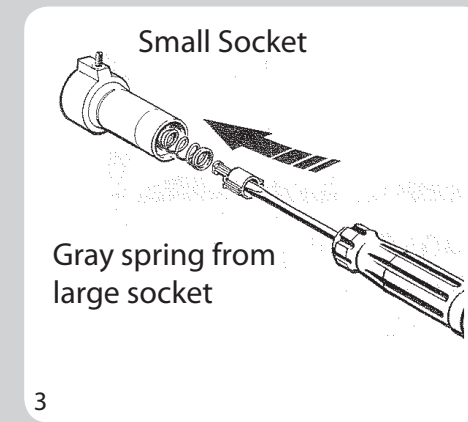
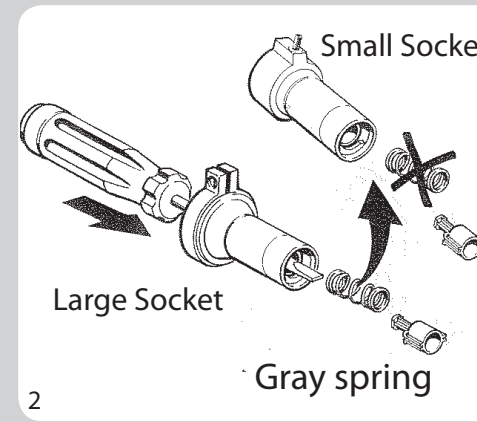
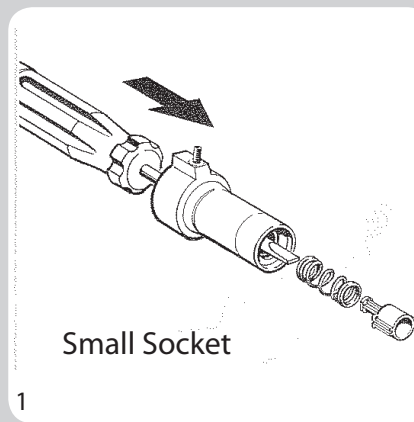
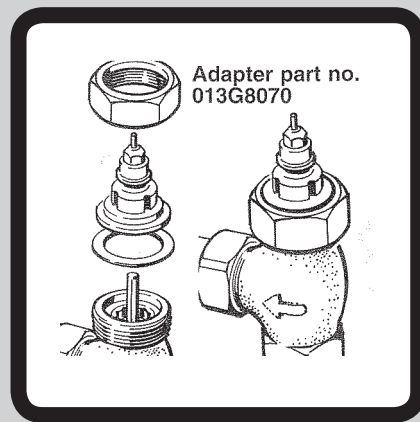
Danfoss  
 Toronto, Baltimore  
 Toll Free: 866-375-HVAC (4822)  
[www.na.heating.danfoss.com](http://www.na.heating.danfoss.com)

# INSTRUCTIONS

If this operator is being installed on a RAV, VMT or KOVM valve, it is necessary to replace the pre-attached small socket with the large socket included in product package.  
RAV/VMT/KOVM valves have a larger operator connection than RA 2000 valves.

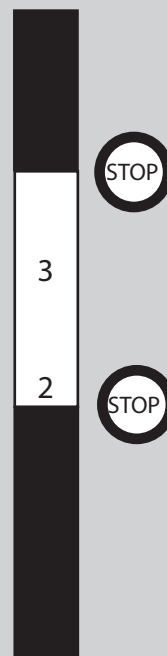


If this operator unit is being installed on a RA valve fitted with a RA to RA 2000 adapter (013G8070), the socket spring must be replaced with the gray spring from the large socket included in the product package.



## Limiting and blocking the setting range

Upper limit setting (max. setting)



Lower limit setting (min. setting)

Locking setting is done by combining the upper & lower limiter settings

